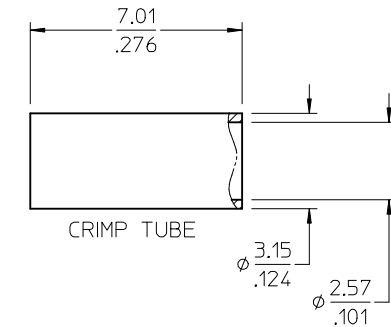
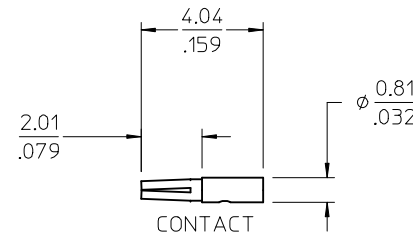
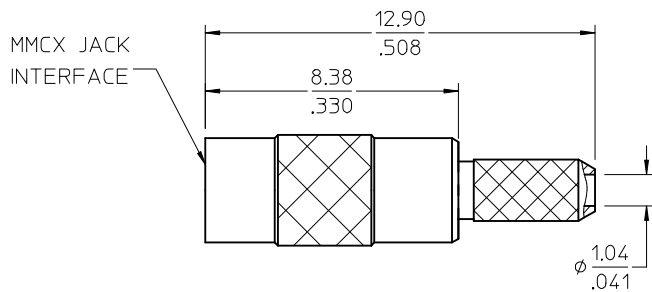
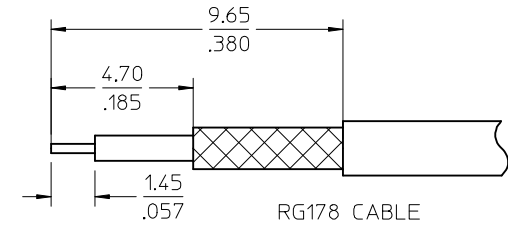
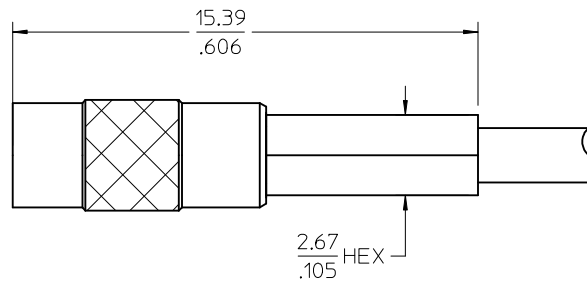
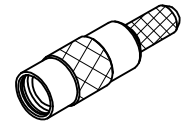


MATERIALS AND FINISHES

BODY, CRIMP TUBE BRASS
PLATED GOLD

CENTER CONTACT BERYLLIUM COPPER
PLATED SEE TABLE

INSULATOR TEFLON



AS-89678-6900	CABLE ASSEMBLY INSTR.
ES-73599-0000-016	INTERFACE
SPECIFICATION	DESCRIPTION

73415-3213	SINGLE PIECE 73415-3211 PER BAG
73415-3212	SINGLE PIECE 73415-3210 PER BAG
73415-3211	GOLD (30 MICROINCHES MIN)
73415-3210	GOLD (10 MICROINCHES MIN)
PART NO.	PLATING

CHG: ADDED
CABLE STRIP DIM.
EWR RF15-E148

EC NO: URF2015-0484
2015/03/04

DRWN: YCHENG
CHKD: YCHENG

APPR: YCHENG
2015/03/04

REV: A4

QUALITY SYMBOLS

GENERAL TOLERANCES (UNLESS SPECIFIED)

	mm	INCH
4 PLACES	± .005	± .0004
3 PLACES	± .004	± .0003
2 PLACES	± .003	± .0002
1 PLACE	± .002	± .0001

ANGULAR ± 2°

DRAFT WHERE APPLICABLE
MUST REMAIN
WITHIN DIMENSIONS

DIMENSION STYLE
MM/IN

SCALE

DESIGN UNITS
METRIC

THIRD ANGLE PROJECTION

DRAWN BY
GMH

DATE
2001/04/20

CHECKED BY
KERRIE

DATE
2015/03/02

APPROVED BY

DATE

MATERIAL NO.
SEE TABLE

SIZE
C

TITLE
MMCX JACK, RG178
50 OHMS, EWR-2603
MMCX-JC

MOLEX INCORPORATED

DOCUMENT NO.
SD-73415-321

SHEET NO.
1 OF 1

THIS DRAWING CONTAINS INFORMATION THAT IS PROPRIETARY TO MOLEX INCORPORATED AND SHOULD NOT BE USED WITHOUT WRITTEN PERMISSION