

MATERIALS AND FINISHES:

BODY: BERYLLIUM COPPER
OPTION 1:
 PLATED GOLD (30μ-in MIN)
 OVER NICKEL (100μ-in MIN)
OPTION 2:
 PLATED GOLD (10μ-in MIN)
 OVER NICKEL (100μ-in MIN)

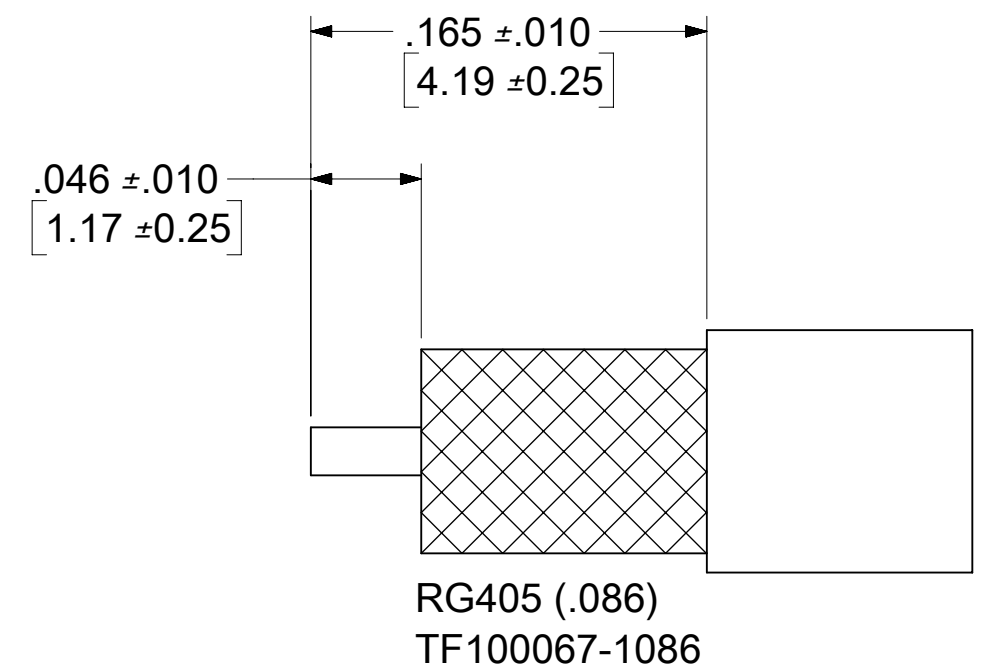
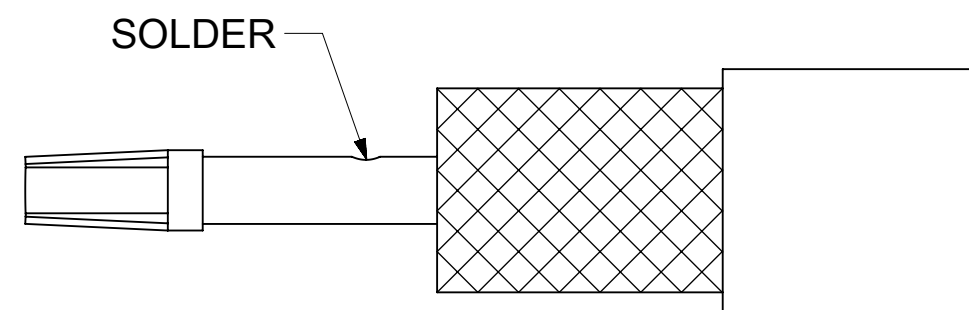
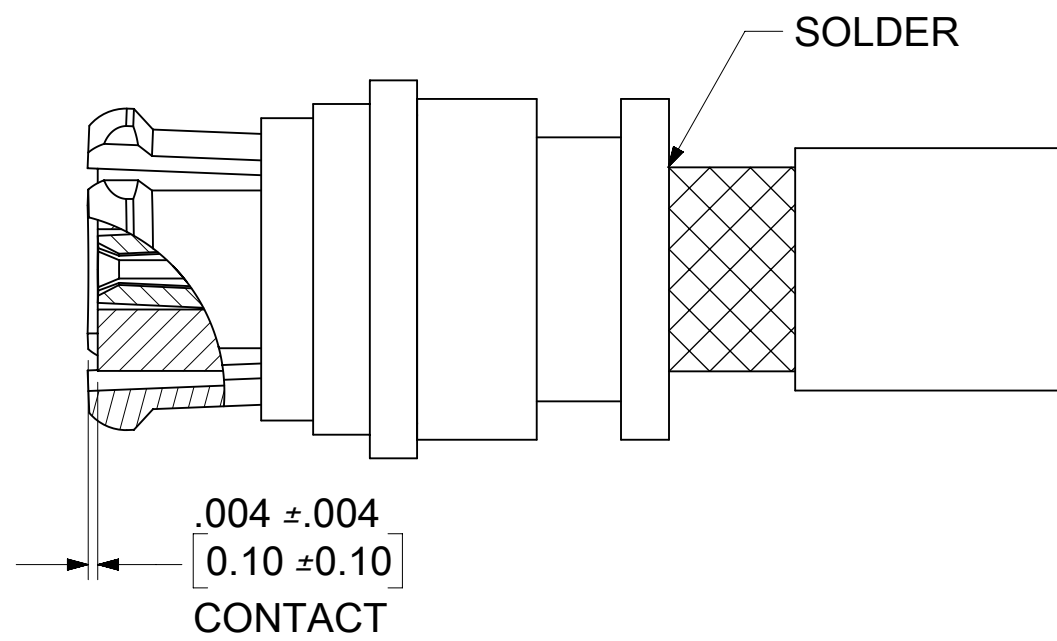
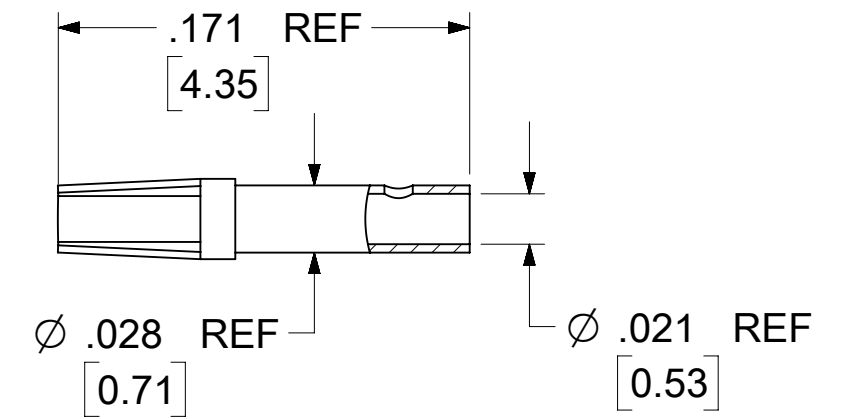
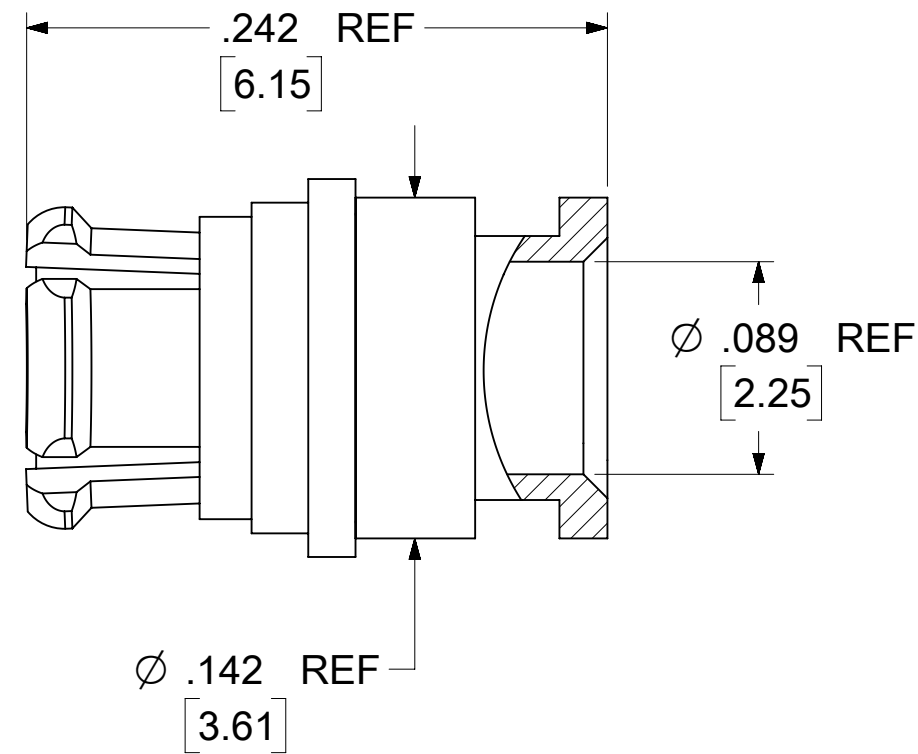
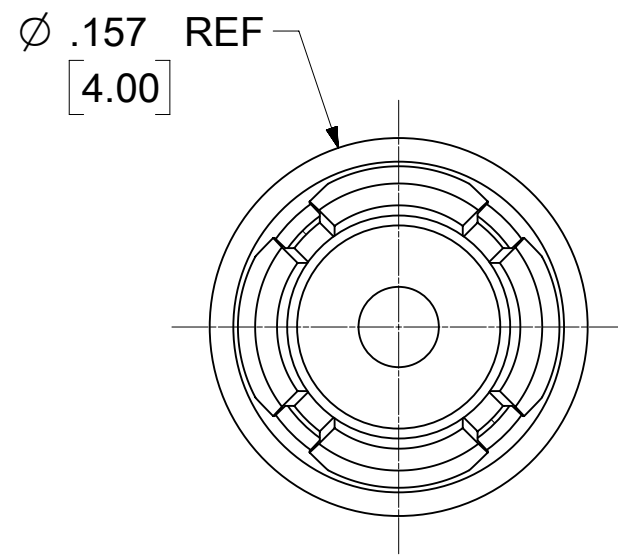
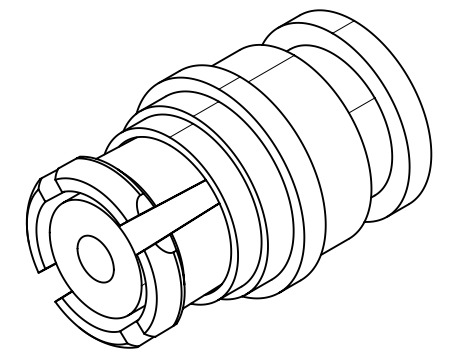
CONTACT: BERYLLIUM COPPER
 PLATED GOLD (30μ-in MIN)
 OVER NICKEL (100μ-in MIN)

INSULATOR: PTFE

EMI RING: BRASS
 PLATED GOLD (30μ-in MIN)
 OVER NICKEL (100μ-in MIN)

ELECTRICAL CHARACTERISTICS:

NOMINAL IMPEDANCE: 50Ω
 FREQUENCY RANGE: DC - 26.5 GHz
 VSWR: 1.20 MAX DC - 15.0 GHz
 1.50 MAX 15.0 GHz - 26.5 GHz



RECOMMENDED STRIP DIMENSIONS

73415-3742	OPTION 2	TRAY
73415-3741	OPTION 1	ONE PER BAG
73415-3740		TRAY
SPECIFICATION	BODY PLATING	PACKAGING

PS-89675-3320	ELEC/MECH PERFORMANCE
MIL-STD-348B. FIG. 326.1	INTERFACE
SPECIFICATION	DESCRIPTION

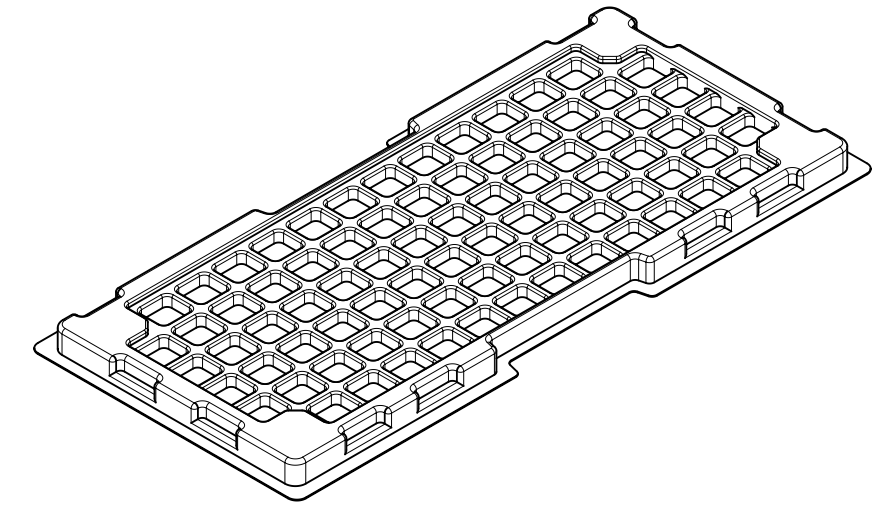
C2	2020/3/30	ADD -3742 PER EWR #13696-A
REV	DATE	DESCRIPTION

THIS DRAWING CONTAINS INFORMATION THAT IS PROPRIETARY TO MOLEX ELECTRONIC TECHNOLOGIES, LLC AND SHOULD NOT BE USED WITHOUT WRITTEN PERMISSION									
DIMENSION UNITS	SCALE	CURRENT REV DESC:							
INCH/MM	NTS								
GENERAL TOLERANCES (UNLESS SPECIFIED)		EC NO: 635059			SMP JACK STR FOR RG405 CABLE SMP-JC EWR-1350				
ANGULAR TOL ± 2.0°		DRWN: RYEH 2020/03/26							
4 PLACES ±		CHK'D: YCHENG 2020/04/14			PRODUCT CUSTOMER DRAWING				
3 PLACES ±		APPR: YCHENG 2020/04/14							
2 PLACES ± 0.25		INITIAL REVISION:			DOCUMENT NUMBER: SD-73415-374 DOC TYPE: PSD DOC PART: 001 REVISION: C2				
1 PLACE ±		DRWN: RFC_PLMIMP 2017/12/28							
0 PLACES ±		APPR: JWIENER 2010/09/30			MATERIAL NUMBER: SEE TABLE CUSTOMER: GENERAL MARKET SHEET NUMBER: 1 OF 3				
DRAFT WHERE APPLICABLE MUST REMAIN WITHIN DIMENSIONS		THIRD ANGLE PROJECTION							
		DRAWING: C-SIZE							
		SERIES: 73415							

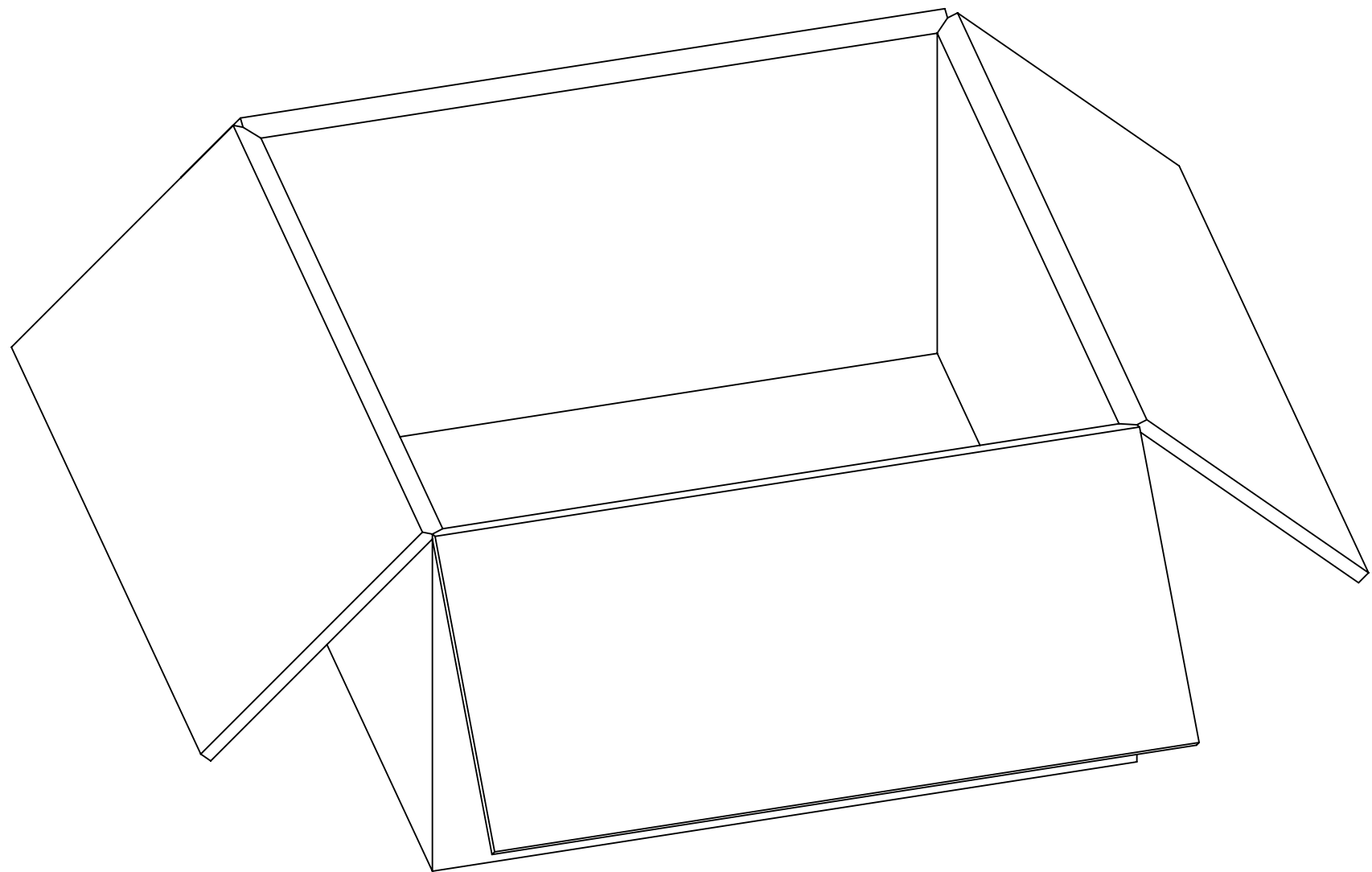
DOCUMENT STATUS	P1	RELEASE DATE	2020/04/14	08:04:17
-----------------	----	--------------	------------	----------



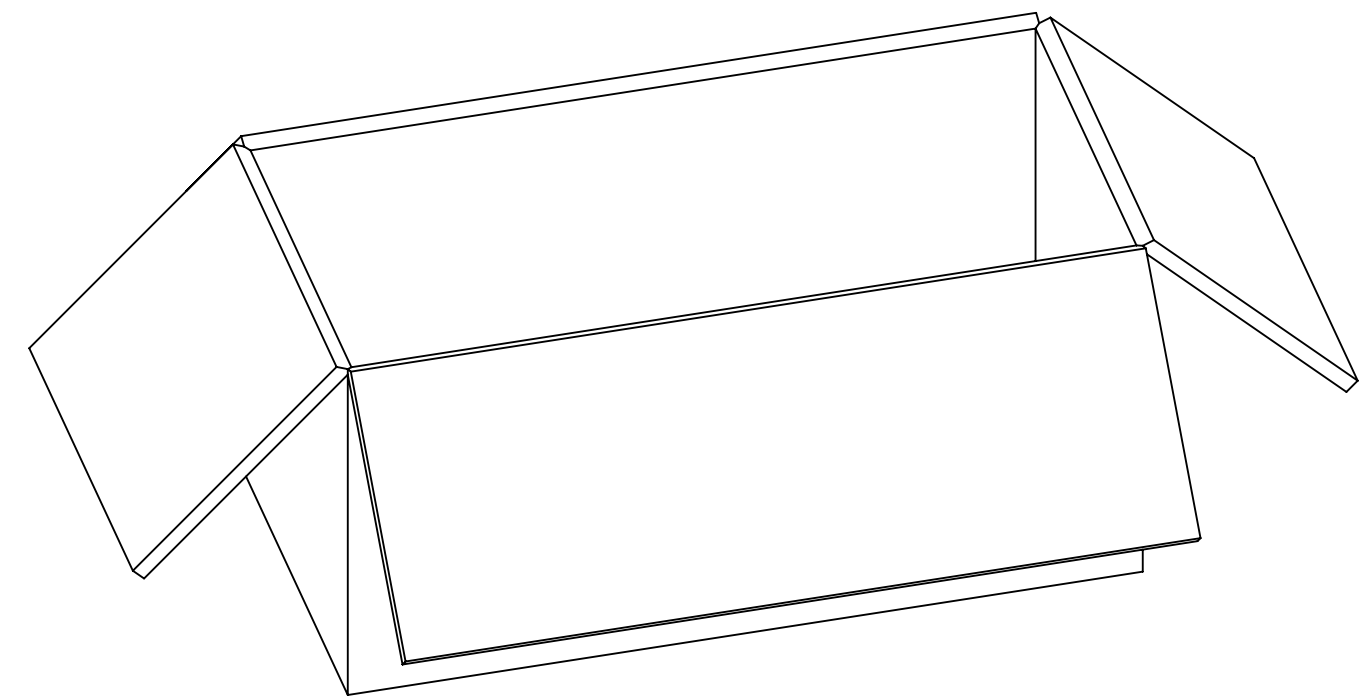
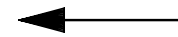
P/N: 73415-3740
OR
P/N: 73415-3742



80 SETS PER TRAY
P/N: 89707-0190



3200 SETS PER OUTER
CARTON BOX
P/N: 96708-0005



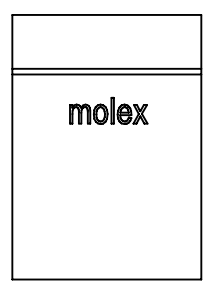
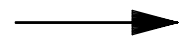
1600 SETS PER INNER
CARTON BOX
P/N: 96707-0001

THIS DRAWING CONTAINS INFORMATION THAT IS PROPRIETARY TO MOLEX ELECTRONIC TECHNOLOGIES, LLC AND SHOULD NOT BE USED WITHOUT WRITTEN PERMISSION												
DIMENSION UNITS		SCALE		CURRENT REV DESC:				molex				
INCH/MM		NTS										
GENERAL TOLERANCES (UNLESS SPECIFIED)				EC NO: 635059 DRWN: RYEH 2020/03/26 CHK'D: YCHENG 2020/04/14 APPR: YCHENG 2020/04/14 INITIAL REVISION: DRWN: RFC_PLMIMP 2017/12/28 APPR: JWIENER 2010/09/30				SMP JACK STR FOR RG405 CABLE SMP-JC EWR-1350		PRODUCT CUSTOMER DRAWING		
ANGULAR TOL		± 2.0°						DOCUMENT NUMBER		DOC TYPE	DOC PART	REVISION
4 PLACES		±						SD-73415-374		PSD	001	C2
3 PLACES		±						MATERIAL NUMBER		CUSTOMER		SHEET NUMBER
2 PLACES		± 0.25						GENERAL MARKET		2 OF 3		
1 PLACE		±		THIRD ANGLE PROJECTION	DRAWING	SERIES						
0 PLACES		±			C-SIZE	73415						
DRAFT WHERE APPLICABLE MUST REMAIN WITHIN DIMENSIONS												

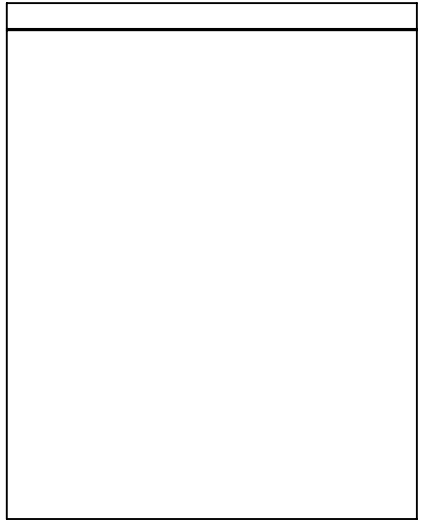
DOCUMENT STATUS	P1	RELEASE DATE	2020/04/14	08:04:17
-----------------	----	--------------	------------	----------



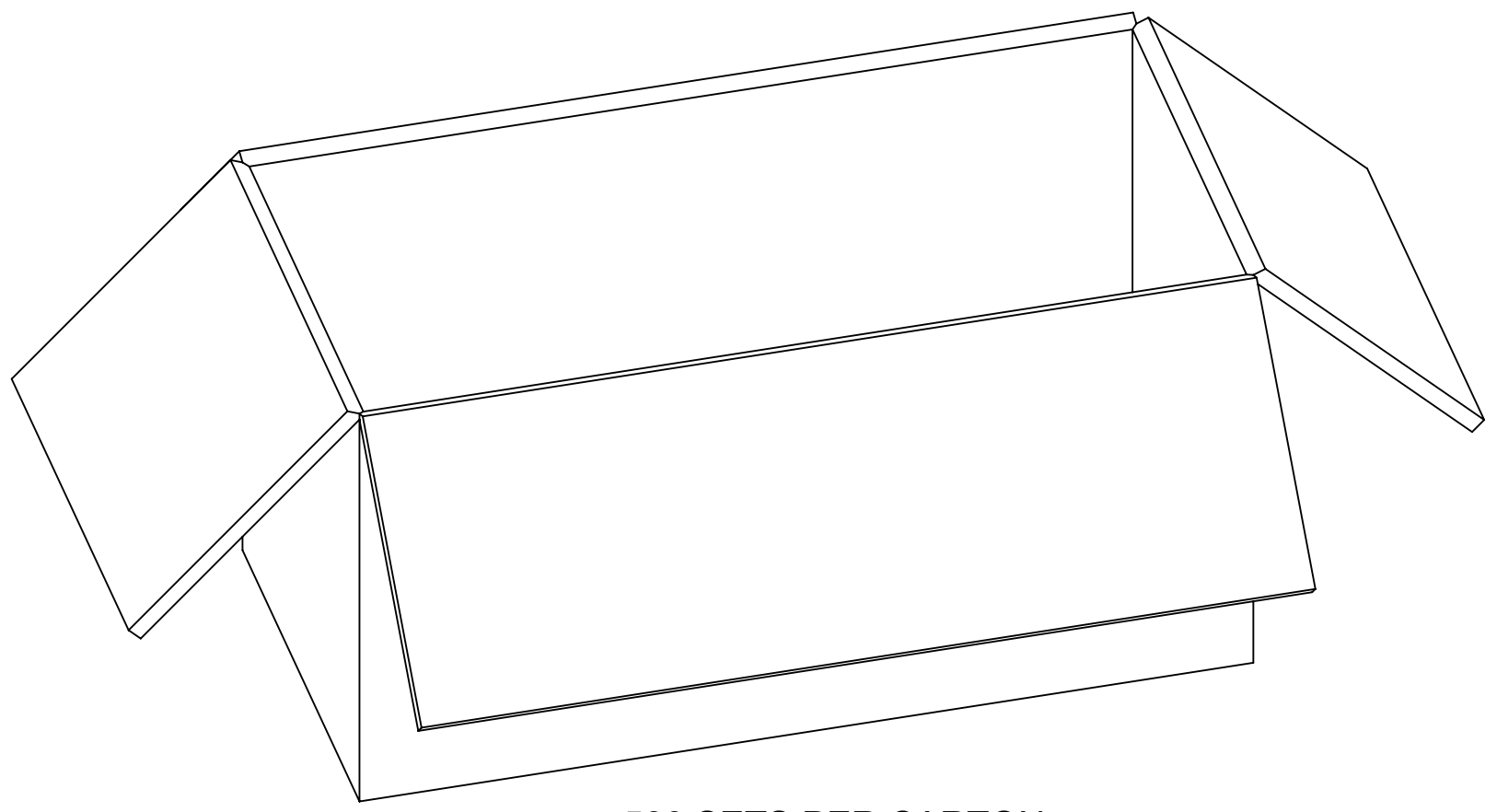
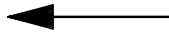
P/N: 73415-3741



ONE PER BAG
P/N: 89707-0317



50 SETS PER BAG
P/N: 89707-0001



500 SETS PER CARTON
BOX
P/N: 96707-0002

THIS DRAWING CONTAINS INFORMATION THAT IS PROPRIETARY TO MOLEX ELECTRONIC TECHNOLOGIES, LLC AND SHOULD NOT BE USED WITHOUT WRITTEN PERMISSION

DIMENSION UNITS		SCALE		CURRENT REV DESC:			molex					
INCH/MM		NTS										
GENERAL TOLERANCES (UNLESS SPECIFIED)				EC NO: 635059 DRWN: RYEH 2020/03/26 CHK'D: YCHENG 2020/04/14 APPR: YCHENG 2020/04/14 INITIAL REVISION: DRWN: RFC_PLMIMP 2017/12/28 APPR: JWIENER 2010/09/30			SMP JACK STR FOR RG405 CABLE SMP-JC EWR-1350					
ANGULAR TOL ± 2.0°							PRODUCT CUSTOMER DRAWING					
4 PLACES ±							DOCUMENT NUMBER			DOC TYPE	DOC PART	REVISION
3 PLACES ±							SD-73415-374			PSD	001	C2
2 PLACES ± 0.25							MATERIAL NUMBER			CUSTOMER		
1 PLACE ±				C-SIZE			GENERAL MARKET					
0 PLACES ±				73415			SHEET NUMBER					
DRAFT WHERE APPLICABLE MUST REMAIN WITHIN DIMENSIONS				THIRD ANGLE PROJECTION		DRAWING		SHEET NUMBER				
						C-SIZE		3 OF 3				

DOCUMENT STATUS	P1	RELEASE DATE	2020/04/14	08:04:17
-----------------	----	--------------	------------	----------