

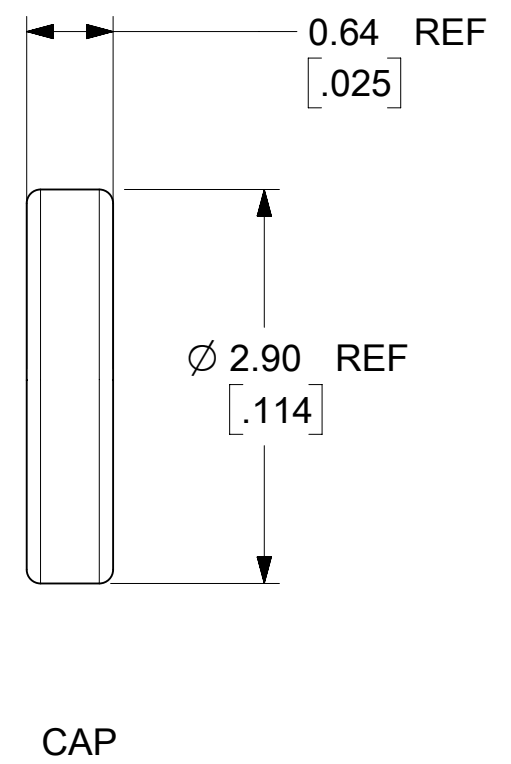
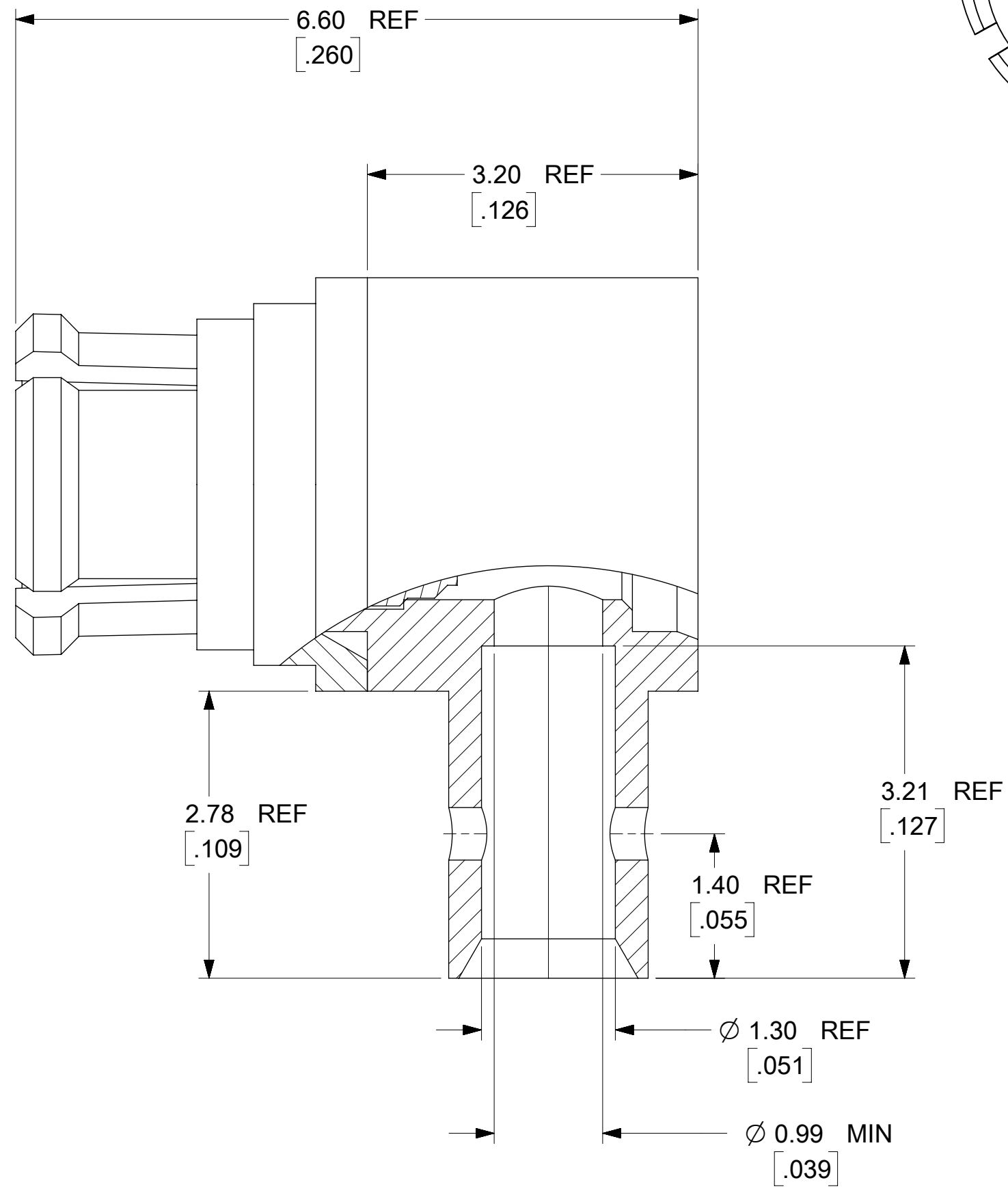
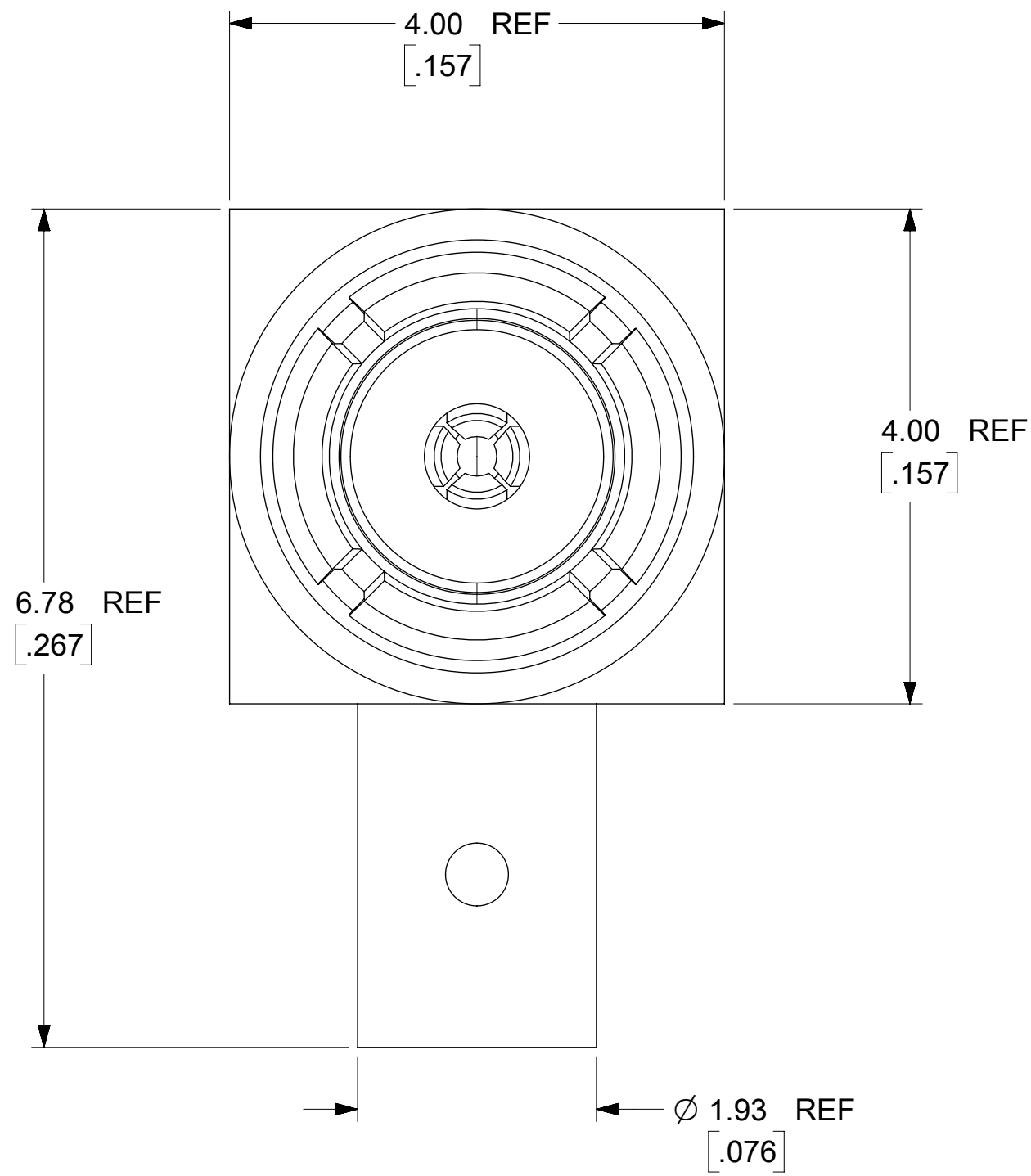
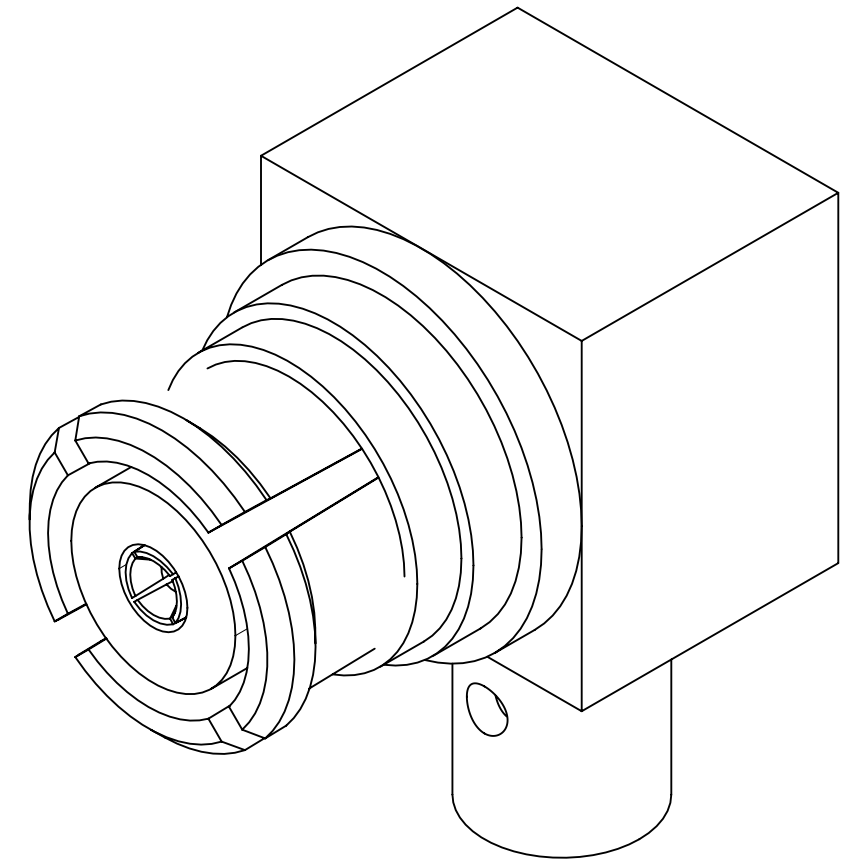
MATERIALS AND FINISHES:

BODY: BERYLLIUM COPPER
PLATED: GOLD (30 μ-in MIN) OVER NICKEL (100 μ-in MIN)

CONTACT: BERYLLIUM COPPER
PLATED: GOLD (50 μ-in MIN) OVER NICKEL (100 μ-in MIN)

CLIP RING, CAP: BRASS
PLATED: GOLD (30 μ-in MIN) OVER NICKEL (100 μ-in MIN)

INSULATOR: PTFE



CAP

VSWR 1.50 MAX DC - 26.5 GHz

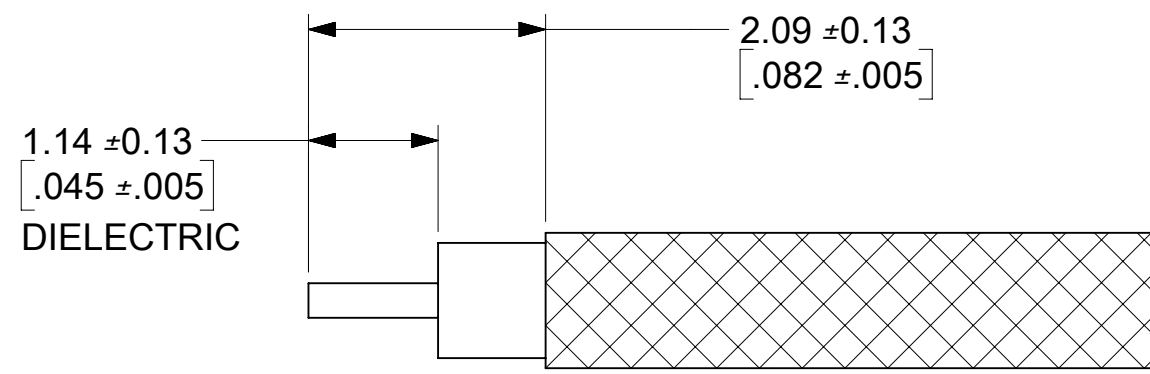
734155122	SMALL TRAY (20 CAV)
734155121	ONE PER BAG
734155120	STANDARD TRAY (80 CAV)
PART NO	DESCRIPTION

MIL-STD-348B FIG. 326-1	INTERFACE
SPECIFICATION	DESCRIPTION

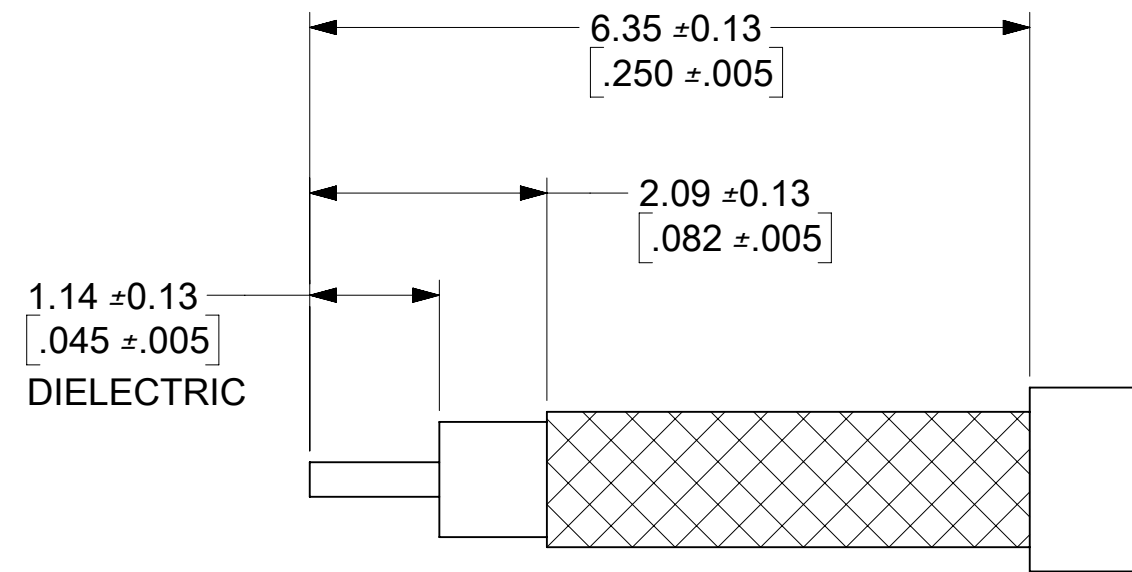
FUNCTIONAL SYMBOLS $\frac{F}{A} = 0$ $\frac{F}{C} = 0$ $\frac{F}{P} = 0$ DIVISIONAL SYMBOLS 4 PLACES ± ± 3 PLACES ± ± 0.01 2 PLACES ± 0.25 ± 1 PLACE ± ± 0 PLACES ± ± ANGULAR TOL ± 2.0 ° DRAFT WHERE APPLICABLE MUST REMAIN WITHIN DIMENSIONS	THIS DRAWING CONTAINS INFORMATION THAT IS PROPRIETARY TO MOLEX ELECTRONIC TECHNOLOGIES, LLC AND SHOULD NOT BE USED WITHOUT WRITTEN PERMISSION DIMENSION UNITS: MM/IN SCALE: NTS CURRENT REV DESC:				
	GENERAL TOLERANCES (UNLESS SPECIFIED)				EC NO: 636929 DRWN: SSSHAH 2020/04/28 CHK'D: LMEIER 2020/05/11 APPR: AROBERTSON 2020/05/11
	PRODUCT CUSTOMER DRAWING		DOCUMENT NUMBER: SD-73415-512 DOC TYPE: PSD DOC PART: 001 REVISION: C1		
	DRAFT WHERE APPLICABLE MUST REMAIN WITHIN DIMENSIONS		THIRD ANGLE PROJECTION	DRAWING: C-SIZE	SERIES: 73415

DOCUMENT STATUS	P1	RELEASE DATE	2020/05/11 16:15:13
-----------------	----	--------------	---------------------

1. STRIP CABLE TO DIMENSION SHOWN

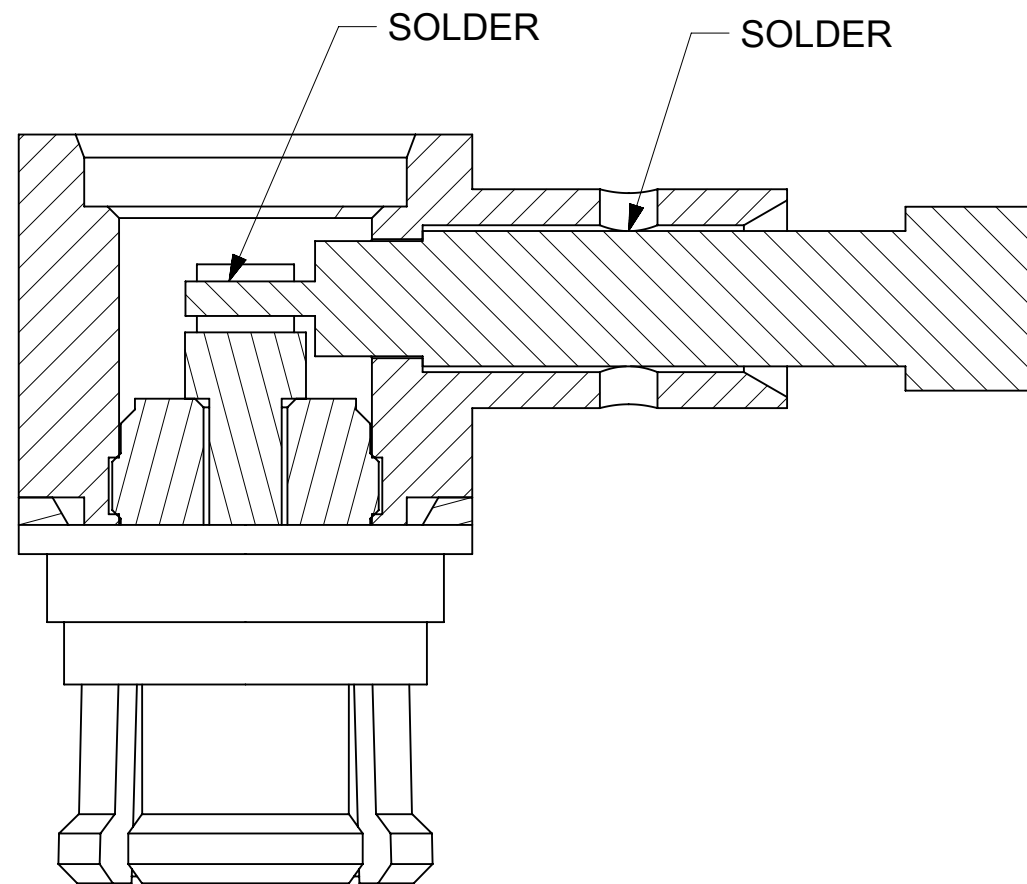


NON JACKETED CABLE

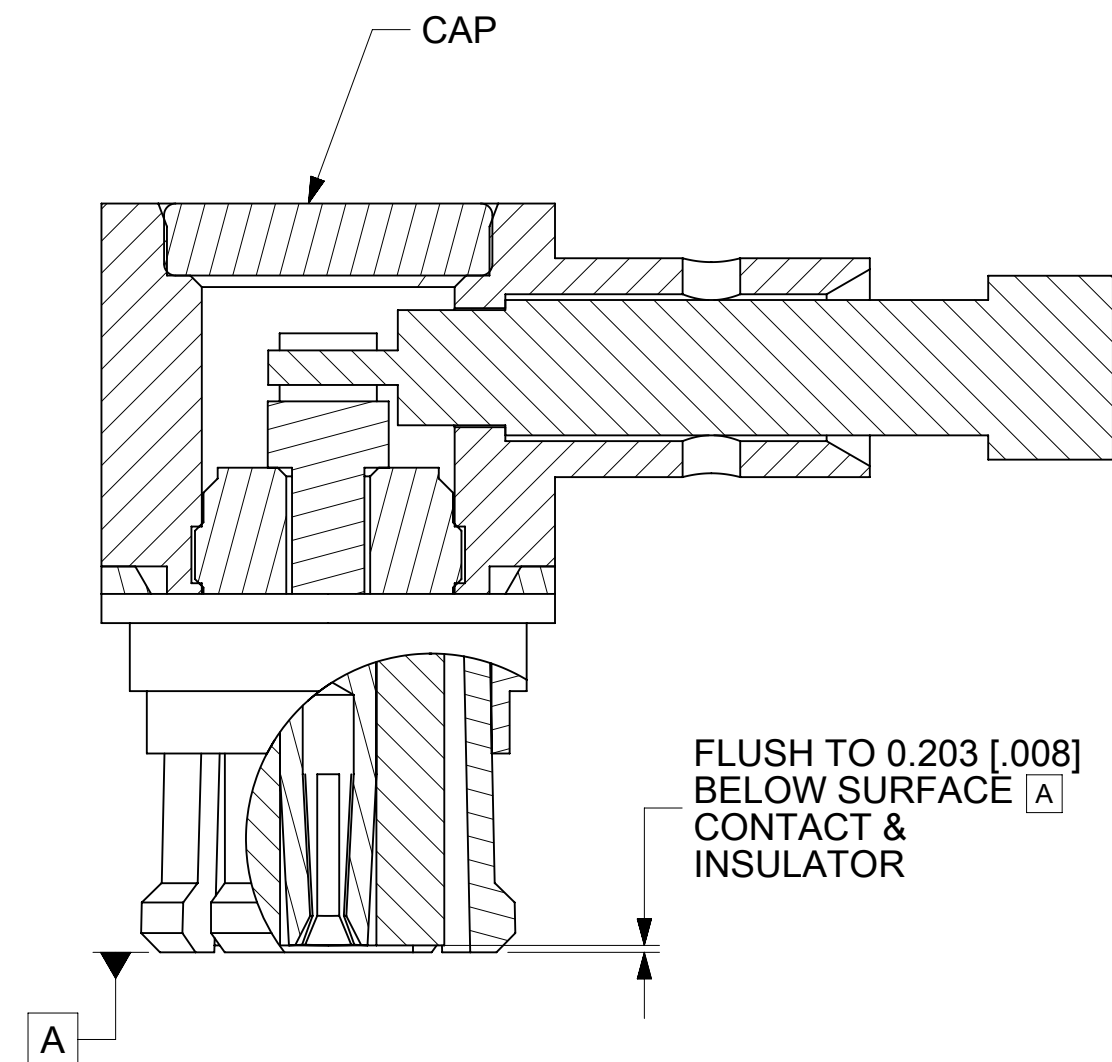


JACKETED CABLE

2. INSERT CABLE INTO CONNECTOR UNTIL BOTTOMS
SOLDER CABLE CENTER CONDUCTOR TO CONTACT
AND CABLE BRAID TO BODY



3. PRESS CAP INTO BODY UNTIL BOTTOMS



THIS DRAWING CONTAINS INFORMATION THAT IS PROPRIETARY TO MOLEX ELECTRONIC TECHNOLOGIES, LLC AND SHOULD NOT BE USED WITHOUT WRITTEN PERMISSION									
FUNCTIONAL SYMBOLS	DIMENSION UNITS		SCALE		CURRENT REV DESC:				
	MM/IN		NTS						
DIVISIONAL SYMBOLS	GENERAL TOLERANCES (UNLESS SPECIFIED)								
		MM	INCH						
	4 PLACES	±	±						
	3 PLACES	±	± 0.01						
	2 PLACES	±	0.25						
	1 PLACE	±	±						
	0 PLACES	±	±						
	ANGULAR TOL		± 2.0 °						
DRAFT WHERE APPLICABLE MUST REMAIN WITHIN DIMENSIONS				THIRD ANGLE PROJECTION		DRAWING		SERIES	
				C-SIZE		73415			
DOCUMENT STATUS		P1	RELEASE DATE	2020/05/11	16:15:13	EC NO: 636929		2020/04/28	
						DRWN: SSSHAH		2020/05/11	
						CHK'D: LMEIER		2020/05/11	
						APPR: AROBERTSON		2020/05/11	
						INITIAL REVISION:			
						DRWN: SSHAH		2004/09/23	
						APPR: JWIENER		2004/09/23	
DOCUMENT NUMBER		DOC TYPE		DOC PART	REVISION	MATERIAL NUMBER		CUSTOMER	
SD-73415-512		PSD		001	C1	SEE TABLE			
SHEET NUMBER		2 OF 2							

molex

SMP JACK RA
FOR 047 SIZE CABLES SMP-JC, EWR-2582

PRODUCT CUSTOMER DRAWING