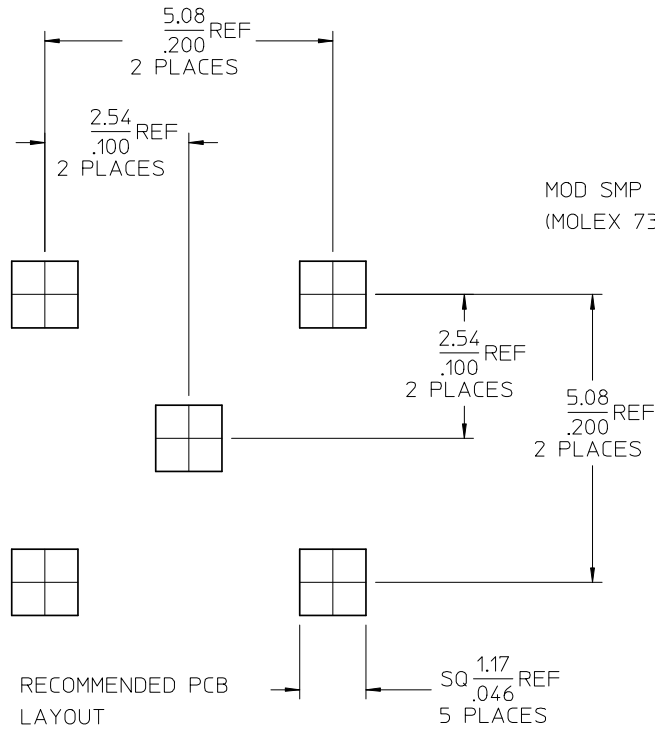
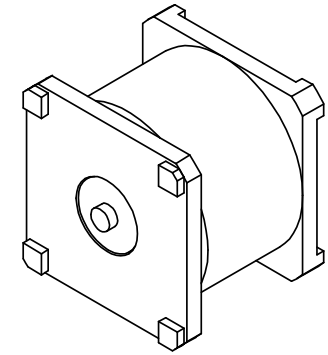


MATERIALS AND FINISHES

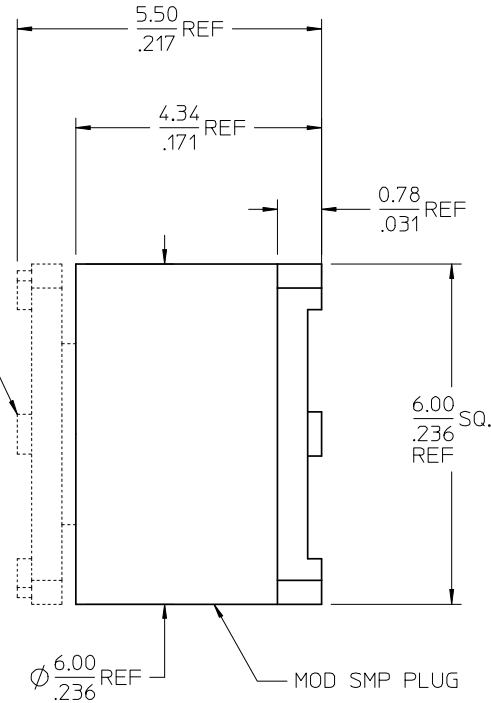
BODY BRASS  
PLATED GOLD

CENTER CONTACT BRASS  
PLATED GOLD

INSULATOR TEFLON



MOD SMP JACK  
(MOLEX 73415-5300)



73415-5592	TAPE AND REEL PACKAGING WITH KAPTON TAPE
73415-5591	TAPE & REEL PACKAGING
73415-5590	INDIVIDUAL PACKAGING
PART NO.	DESCRIPTION

-----	INTERFACE
SPECIFICATION	DESCRIPTION

CHG: UPDATED DEPICTION OF CONTACT EC NO: URF2008-0507 DRW:SSHAH 2008/04/10 CHKD:ROBERTSON 2008/04/10 APPR:WIENER 2008/04/10	QUALITY SYMBOLS	GENERAL TOLERANCES (UNLESS SPECIFIED)	DIMENSION STYLE	SCALE	DESIGN UNITS	THIRD ANGLE PROJECTION	
	▽=0 ▽=0	mm INCH 4 PLACES ± .005 ± .005 3 PLACES ± .005 ± .005 2 PLACES ± .005 ± .005 1 PLACE ± .005 ± .005 ANGULAR ± 2°	MM/IN	DRAWN BY DATE JM 2005/10/06 CHECKED BY DATE JM 2005/10/06 APPROVED BY DATE JDW 2005/10/06	METRIC	MOD SMP PLUG, PCB, SMT 50 OHMS, EWR-2926 SMP-P/PCB/SMT	Molex MOLEX INCORPORATED
	REV: A2	DRAFT WHERE APPLICABLE MUST REMAIN WITHIN DIMENSIONS	SIZE	MATERIAL NO. SEE TABLE DOCUMENT NO. SD-73415-559 SHEET NO. 1 OF 1			
	THIS DRAWING CONTAINS INFORMATION THAT IS PROPRIETARY TO MOLEX INCORPORATED AND SHOULD NOT BE USED WITHOUT WRITTEN PERMISSION						