

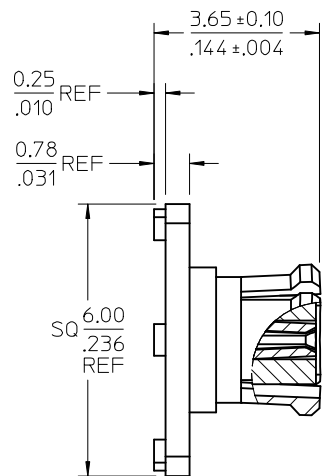
MATERIALS AND FINISHES:

BODY: BRASS  
 PLATED: GOLD (10μ-in MIN)  
 OVER NICKEL (100μ-in MIN)

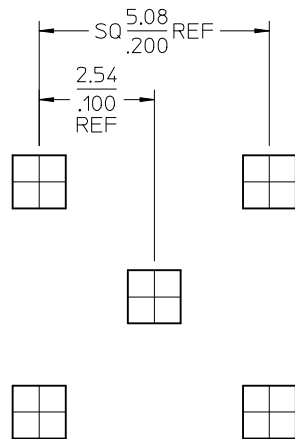
CENTER CONTACT: BRASS  
 PLATED: GOLD (30μ-in MIN)  
 OVER NICKEL (100μ-in MIN)

INSULATOR: PTFE

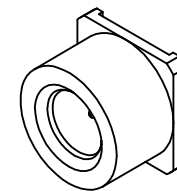
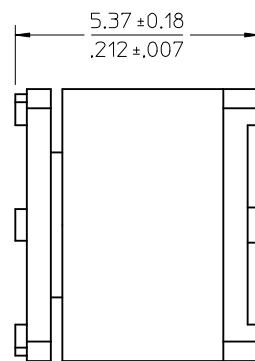
KAPTON: POLYIMIDE  
 COLOR: BLACK



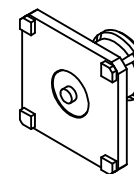
MOD SMP JACK  
 (MOLEX 73415-5300)



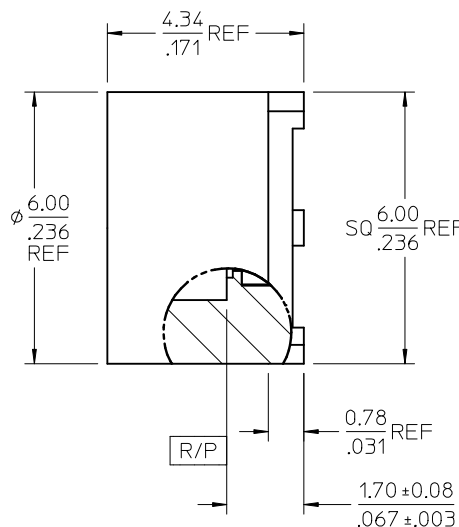
RECOMMENDED PCB LAYOUT



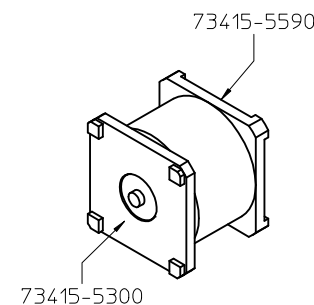
MOD SMP PLUG  
 (MOLEX 73415-5590)



MOD SMP JACK  
 (MOLEX 73415-5300)



MOD SMP PLUG  
 (MOLEX 73415-5590)



73415-5592	TAPE AND REEL PACKAGING WITH KAPTON
73415-5591	TAPE AND REEL PACKAGING WITHOUT KAPTON
73415-5590	TRAY
PART NO.	DESCRIPTION

PS-89675-3320	PRODUCT SPECIFICATION
MIL-STD-348B, FIG. 326.1	INTERFACE SMP JACK
MIL-STD-348B, FIG. 326.5	INTERFACE SMP PLUG
SPECIFICATION	DESCRIPTION

CHG: ADD DIMENSION 1.70/.067 IN C4 ZONE, ADD TOLERANCE TO DIM 5.37/.212 IN I5/I6 AND TO DIM 3.65/.144 IN J9 ZONE  
 UPD MATERIALS AND FINISHES NOTE.  
 EC NO: URF-2017-0403  
 DRWINAPRAKASH01 2017/06/08  
 CHKD:888 2017/06/08  
 APPR:AROBERTSON 2017/06/29

REV	DESCRIPTION
A5	

QUALITY SYMBOLS	

GENERAL TOLERANCES (UNLESS SPECIFIED)	
mm	INCH
4 PLACES ± .010	± .0004
3 PLACES ± .010	± .0004
2 PLACES ± 0.25	± .010
1 PLACE ± .010	± .0004
0 PLACE ± .010	± .0004
ANGULAR ± 2°	
DRAFT WHERE APPLICABLE MUST REMAIN WITHIN DIMENSIONS	

DIMENSION STYLE		SCALE	DESIGN UNITS	THIRD ANGLE PROJECTION
MM/IN			METRIC	
DRAWN BY	DATE	TITLE		
JM	2005/10/06	MOD SMP PLUG, PCB, SMT		
CHECKED BY	DATE	50 OHMS, EWR-2926		
JM	2005/10/06	SMP-P/PCB/SMT		
APPROVED BY	DATE	<b>molex</b>		
JDW	2005/10/06	MATERIAL NO.	DOCUMENT NO.	SHEET NO.
		SEE TABLE	SD-73415-559	1 OF 1
THIS DRAWING CONTAINS INFORMATION THAT IS PROPRIETARY TO MOLEX INCORPORATED AND SHOULD NOT BE USED WITHOUT WRITTEN PERMISSION				

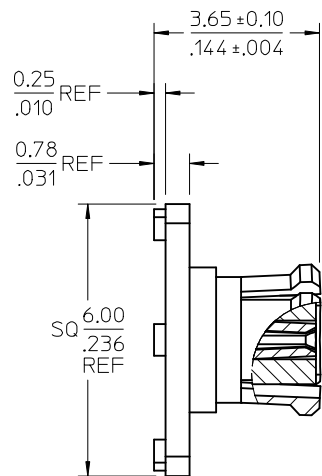
MATERIALS AND FINISHES:

BODY: BRASS  
 PLATED: GOLD (10μ-in MIN)  
 OVER NICKEL (100μ-in MIN)

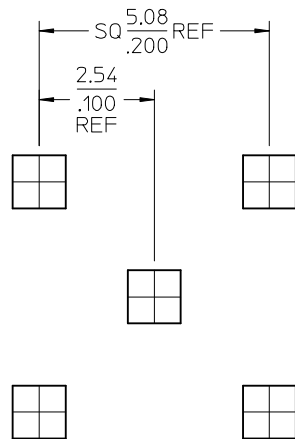
CENTER CONTACT: BRASS  
 PLATED: GOLD (30μ-in MIN)  
 OVER NICKEL (100μ-in MIN)

INSULATOR: PTFE

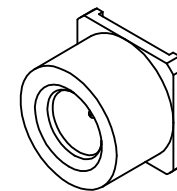
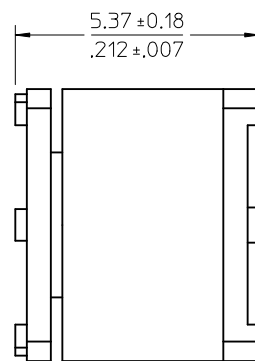
KAPTON: POLYIMIDE  
 COLOR: BLACK



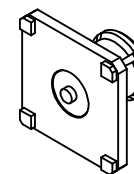
MOD SMP JACK  
 (MOLEX 73415-5300)



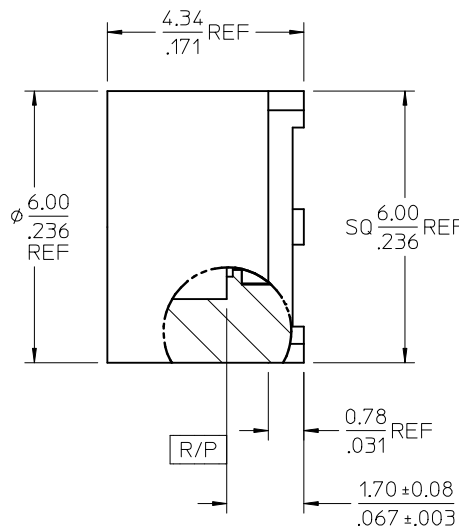
RECOMMENDED PCB LAYOUT



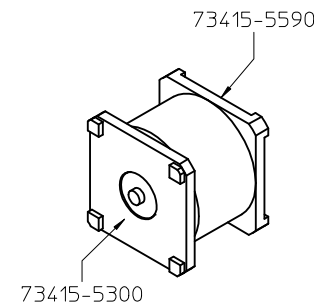
MOD SMP PLUG  
 (MOLEX 73415-5590)



MOD SMP JACK  
 (MOLEX 73415-5300)



MOD SMP PLUG  
 (MOLEX 73415-5590)



73415-5592	TAPE AND REEL PACKAGING WITH KAPTON
73415-5591	TAPE AND REEL PACKAGING WITHOUT KAPTON
73415-5590	TRAY
PART NO.	DESCRIPTION

PS-89675-3320	PRODUCT SPECIFICATION
MIL-STD-348B, FIG. 326.1	INTERFACE SMP JACK
MIL-STD-348B, FIG. 326.5	INTERFACE SMP PLUG
SPECIFICATION	DESCRIPTION

CHG: ADD DIMENSION 1.70/.067 IN C4 ZONE, ADD TOLERANCE TO DIM 5.37/.212 IN I5/I6 AND TO DIM 3.65/.144 IN J9 ZONE  
 UPD MATERIALS AND FINISHES NOTE.  
 EC NO: URF-2017-0403  
 DRWINAPRAKASH01 2017/06/08  
 CHKD:888 2017/06/08  
 APPR:AROBERTSON 2017/06/29

REV	DESCRIPTION
A5	

QUALITY SYMBOLS	

GENERAL TOLERANCES (UNLESS SPECIFIED)	
mm	INCH
4 PLACES ± .010	± .0004
3 PLACES ± .010	± .0004
2 PLACES ± 0.25	± .010
1 PLACE ± .010	± .0004
0 PLACE ± .010	± .0004
ANGULAR ± 2°	
DRAFT WHERE APPLICABLE MUST REMAIN WITHIN DIMENSIONS	

DIMENSION STYLE		SCALE	DESIGN UNITS	THIRD ANGLE PROJECTION
MM/IN			METRIC	
DRAWN BY	DATE	TITLE		
JM	2005/10/06	MOD SMP PLUG, PCB, SMT		
CHECKED BY	DATE	50 OHMS, EWR-2926		
JM	2005/10/06	SMP-P/PCB/SMT		
APPROVED BY	DATE	<b>molex</b>		
JDW	2005/10/06			
MATERIAL NO.	DOCUMENT NO.	SHEET NO.		
SEE TABLE	SD-73415-559	1 OF 1		
THIS DRAWING CONTAINS INFORMATION THAT IS PROPRIETARY TO MOLEX INCORPORATED AND SHOULD NOT BE USED WITHOUT WRITTEN PERMISSION				