

MATERIALS AND FINISHES:

SEE PSD-85305-0232

73415-6183	85305-0232, TAPE AND REEL WITH KAPTON TAPE	1K PER REEL	1K PER CARTON
73415-6182	85305-0232, TAPE AND REEL	1K PER REEL	1K PER CARTON
73415-6181	85305-0232, TAPE AND REEL WITH KAPTON TAPE	1K PER REEL	7K PER CARTON
73415-6180	85305-0232, ONE PER BAG	ONE PER BAG	500 PER CARTON
PART NO.	PACKAGING	QUANTITY	

A4	2019/11/26	ADD -6183 PER EWR #13478-A
REV	DATE	DESCRIPTION

THIS DRAWING CONTAINS INFORMATION THAT IS PROPRIETARY TO MOLEX ELECTRONIC TECHNOLOGIES, LLC AND SHOULD NOT BE USED WITHOUT WRITTEN PERMISSION

DIMENSION UNITS	SCALE	CURRENT REV DESC:		molex			
INCH/MM	NTS						
GENERAL TOLERANCES (UNLESS SPECIFIED)		EC NO: 628191		SMP, PLUG SMT LIMITED DETENT SMP-P/PCB			
ANGULAR TOL	± 2.0°	DRWN: RYEH 2019/11/26					
4 PLACES	±	CHK'D: YCHENG 2019/12/06		PRODUCT CUSTOMER DRAWING			
3 PLACES	±	APPR: YCHENG 2019/12/06					
2 PLACES	± 0.25	INITIAL REVISION:		DOCUMENT NUMBER SD-73415-618			
1 PLACE	±	DRWN: SSHAH 2007/05/11					
0 PLACES	±	APPR: JWIENER 2007/05/11		DOC TYPE PSD			
DRAFT WHERE APPLICABLE MUST REMAIN WITHIN DIMENSIONS		THIRD ANGLE PROJECTION					
				MATERIAL NUMBER SEE TABLE		CUSTOMER GENERAL MARKET	
				SHEET NUMBER 1 OF 1		REVISION A4	

DOCUMENT STATUS	P1	RELEASE DATE	2019/12/06 07:42:40
-----------------	----	--------------	---------------------

MATERIALS AND FINISHES:

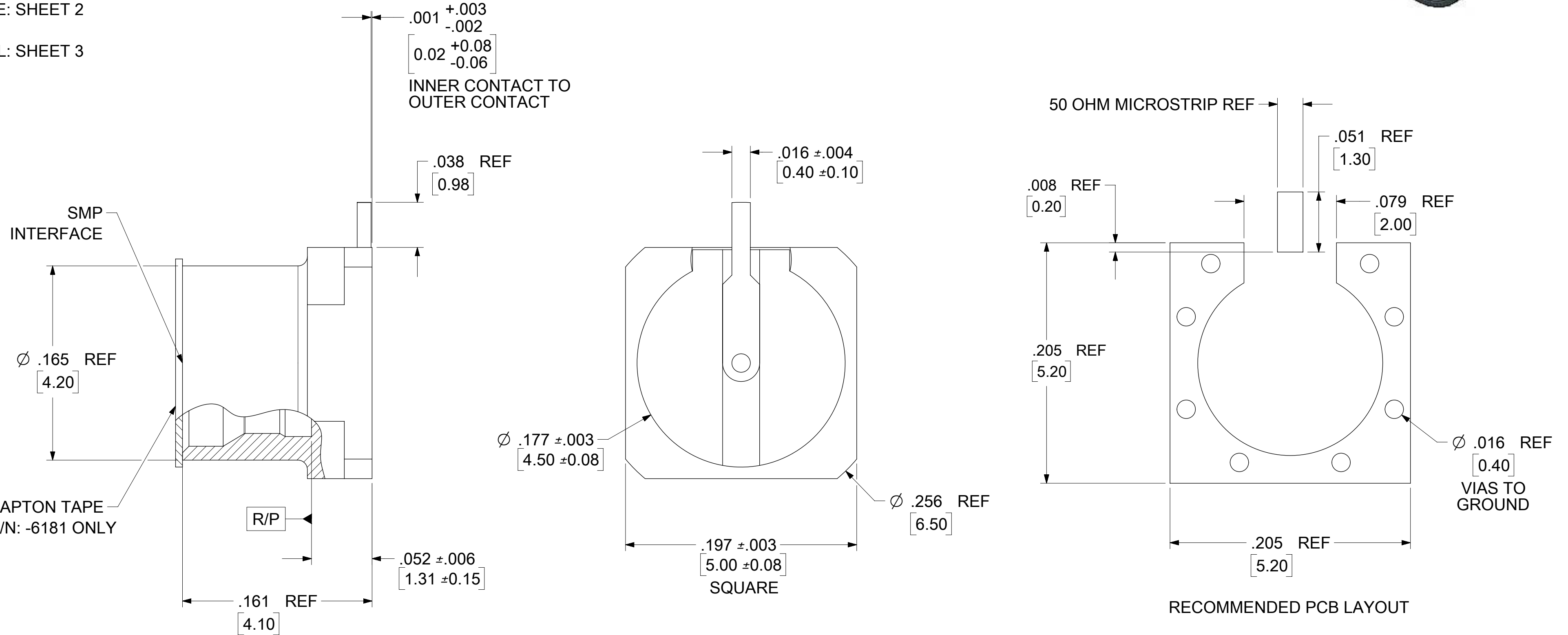
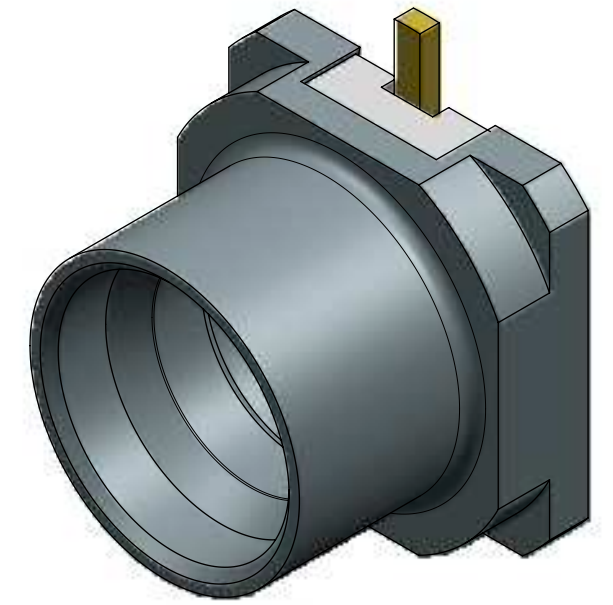
INNER & OUTER CONTACT: BRASS
 PLATED: GOLD (30µ-in MIN)
 OVER NICKEL (100µ-in MIN)

INSULATOR: LCP
 UL FLAMMABILITY RATING 94 V-0

KAPTON: POLYAMIDE
 COLOR: AMBER

TAPE: SHEET 2

REEL: SHEET 3



73415-6183	85305-0232, TAPE AND REEL WITH KAPTON TAPE	1K PER REEL	1K PER CARTON
73415-6182	85305-0232, TAPE AND REEL	1K PER REEL	1K PER CARTON
73415-6181	85305-0232, TAPE AND REEL WITH KAPTON TAPE	1K PER REEL	7K PER CARTON
73415-6180	85305-0232, ONE PER BAG	ONE PER BAG	500 PER CARTON
85305-0232	TAPE AND REEL	1K PER REEL	7K PER CARTON
PART NO.	PACKAGING	QUANTITY	

THIS DRAWING CONTAINS INFORMATION THAT IS PROPRIETARY TO MOLEX ELECTRONIC TECHNOLOGIES, LLC AND SHOULD NOT BE USED WITHOUT WRITTEN PERMISSION

DIMENSION UNITS	SCALE	CURRENT REV DESC:	
INCH/MM	NTS		
GENERAL TOLERANCES (UNLESS SPECIFIED)			
ANGULAR TOL	± 2.0°		
4 PLACES	±	EC NO: 629679	2019/12/20
3 PLACES	±	DRWN: RYEH	2019/12/27
2 PLACES	± 0.25	CHK'D: YCHENG	2019/12/27
1 PLACE	±	APPR: YCHENG	2019/12/27
0 PLACES	±	INITIAL REVISION:	
DRAFT WHERE APPLICABLE MUST REMAIN WITHIN DIMENSIONS		DRWN: AROBERTSON	2005/07/29
THIRD ANGLE PROJECTION		APPR: JWIENER	2005/08/01
DRAWING		SERIES	MATERIAL NUMBER
C-SIZE		85305	SEE TABLE

SMP, PLUG SMT
 LIMITED DETENT SMP-P/PCB, EWR-11818

PRODUCT CUSTOMER DRAWING

DOCUMENT NUMBER	DOC TYPE	DOC PART	REVISION
SD-85305-0232	PSD	001	B14

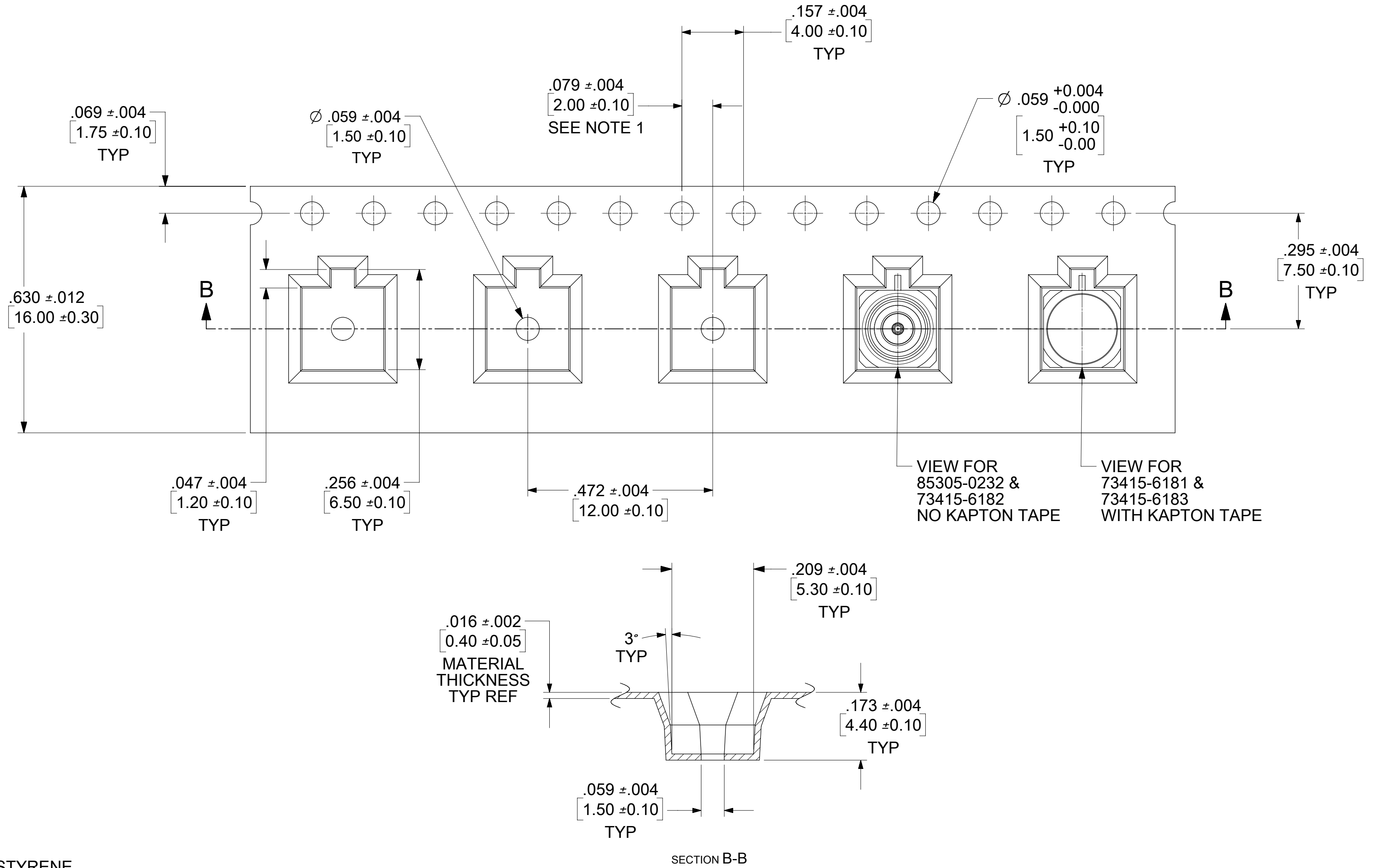
MATERIAL NUMBER: SEE TABLE CUSTOMER: SHEET NUMBER: 1 OF 3

PS-89675-3320	PRODUCT SPECIFICATION	B14	2019/12/20	UPDATE KAPTON COLOR &
MIL-STD-248B, FIG 326-3	INTERFACE, SMP, LIMITED DETENT			VIEW DESCRIPTION PER EWR #13478-B
SPECIFICATION	DESCRIPTION	REV	DATE	DESCRIPTION

DOCUMENT STATUS	P1	RELEASE DATE	2019/12/27 03:46:13
-----------------	----	--------------	---------------------

NOTE:

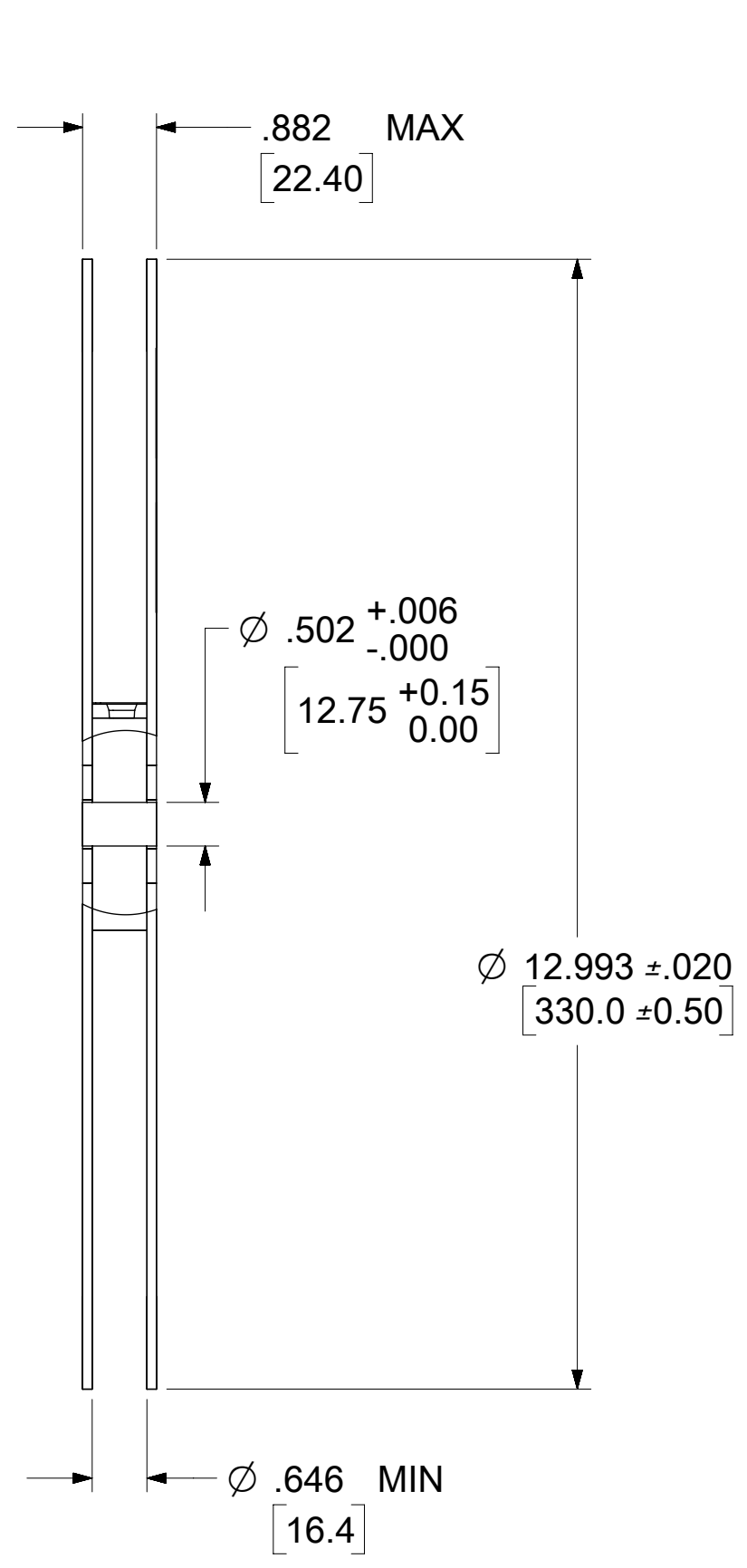
1. 10 PITCH CUMULATIVE TOLERANCE: ±.008 (0.20)



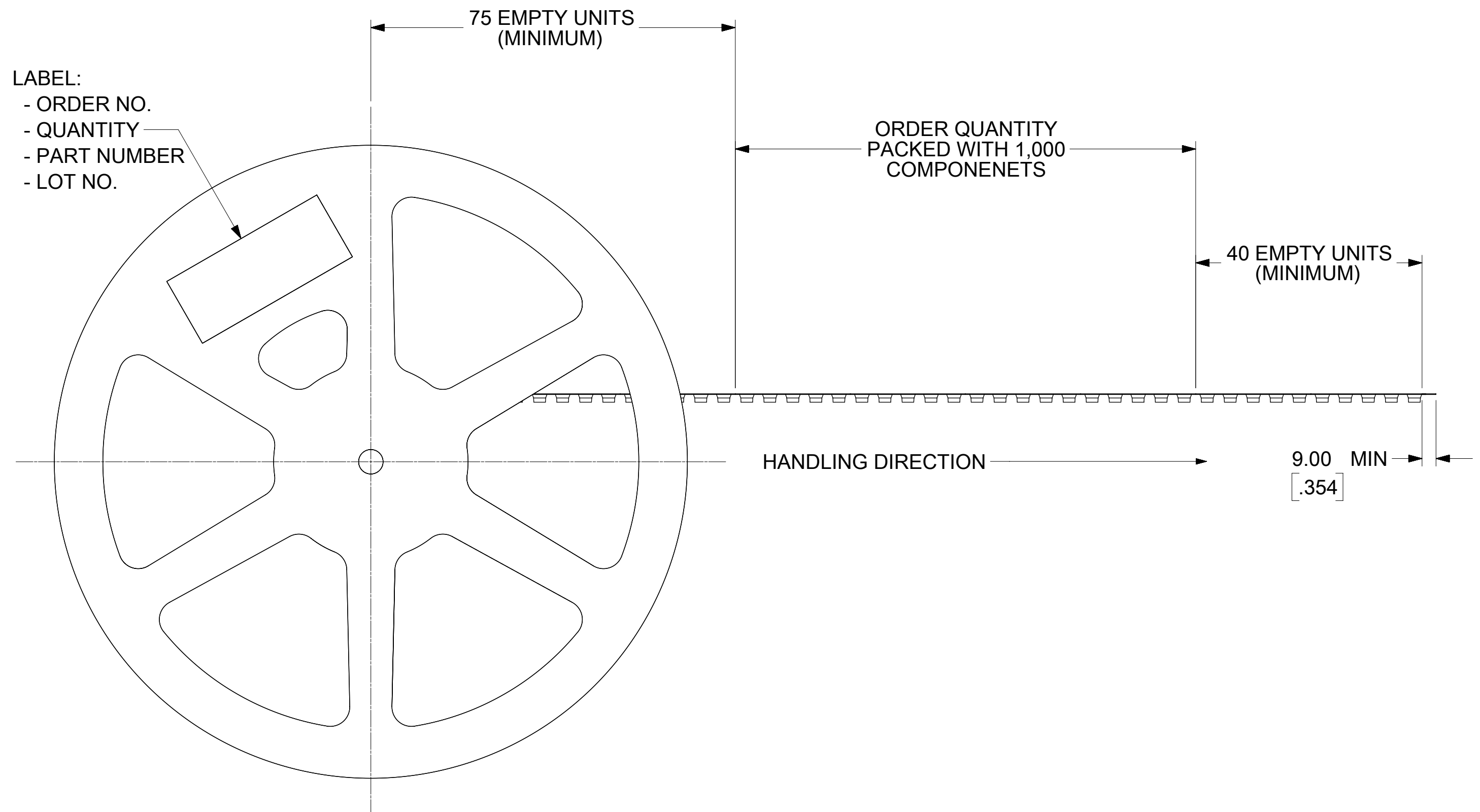
MATERIAL: POLYSTYRENE
 COLOR: BLACK
 0.40 ±0.05 [.016 ±.002] THICK

THIS DRAWING CONTAINS INFORMATION THAT IS PROPRIETARY TO MOLEX ELECTRONIC TECHNOLOGIES, LLC AND SHOULD NOT BE USED WITHOUT WRITTEN PERMISSION									
DIMENSION UNITS		SCALE		CURRENT REV DESC:				molex	
INCH/MM		NTS							
GENERAL TOLERANCES (UNLESS SPECIFIED)				EC NO: 629679				SMP, PLUG SMT	
ANGULAR TOL ± 2.0°				DRWN: RYEH 2019/12/20				LIMITED DETENT SMP-P/PCB, EWR-11818	
4 PLACES ±				CHK'D: YCHENG 2019/12/27				PRODUCT CUSTOMER DRAWING	
3 PLACES ±				APPR: YCHENG 2019/12/27				DOCUMENT NUMBER	
2 PLACES ± 0.25				INITIAL REVISION:				SD-85305-0232	
1 PLACE ±				DRWN: AROBERTSON 2005/07/29				DOC TYPE	
0 PLACES ±				APPR: JWIENER 2005/08/01				PSD	
DRAFT WHERE APPLICABLE MUST REMAIN WITHIN DIMENSIONS				THIRD ANGLE PROJECTION		DRAWING		DOC PART	
				C-SIZE		SERIES		REVISION	
						85305		001 B14	
MATERIAL NUMBER				CUSTOMER				SHEET NUMBER	
SEE TABLE								2 OF 3	

DOCUMENT STATUS	P1	RELEASE DATE	2019/12/27	03:46:13
-----------------	----	--------------	------------	----------



LABEL:
 - ORDER NO.
 - QUANTITY
 - PART NUMBER
 - LOT NO.



FOR 85305-0232 & 73415-6181 & 73415-6182 & 73415-6183

THIS DRAWING CONTAINS INFORMATION THAT IS PROPRIETARY TO MOLEX ELECTRONIC TECHNOLOGIES, LLC AND SHOULD NOT BE USED WITHOUT WRITTEN PERMISSION									
DIMENSION UNITS		SCALE		CURRENT REV DESC:				molex	
INCH/MM		NTS							
GENERAL TOLERANCES (UNLESS SPECIFIED)				EC NO: 629679				SMP, PLUG SMT LIMITED DETENT SMP-P/PCB, EWR-11818	
ANGULAR TOL ± 2.0°				DRWN: RYEH 2019/12/20					
4 PLACES ±				CHK'D: YCHENG 2019/12/27					
3 PLACES ±				APPR: YCHENG 2019/12/27				PRODUCT CUSTOMER DRAWING	
2 PLACES ± 0.25				INITIAL REVISION:				DOCUMENT NUMBER	
1 PLACE ±				DRWN: AROBERTSON 2005/07/29				SD-85305-0232	
0 PLACES ±				APPR: JWIENER 2005/08/01				DOC TYPE DOC PART REVISION	
DRAFT WHERE APPLICABLE MUST REMAIN WITHIN DIMENSIONS				THIRD ANGLE PROJECTION		DRAWING		MATERIAL NUMBER	
				C-SIZE		SERIES		CUSTOMER	
						85305		SEE TABLE	
								SHEET NUMBER	
								3 OF 3	

DOCUMENT STATUS	P1	RELEASE DATE	2019/12/27	03:46:13
-----------------	----	--------------	------------	----------