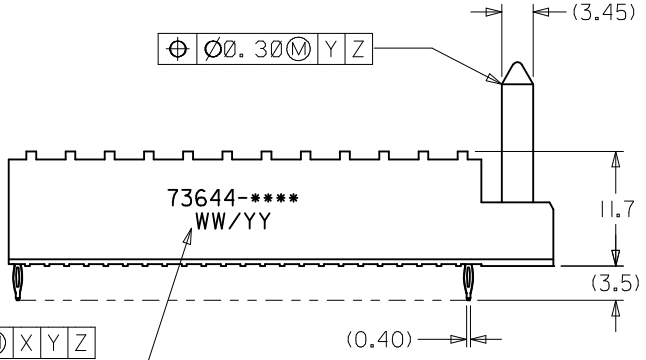
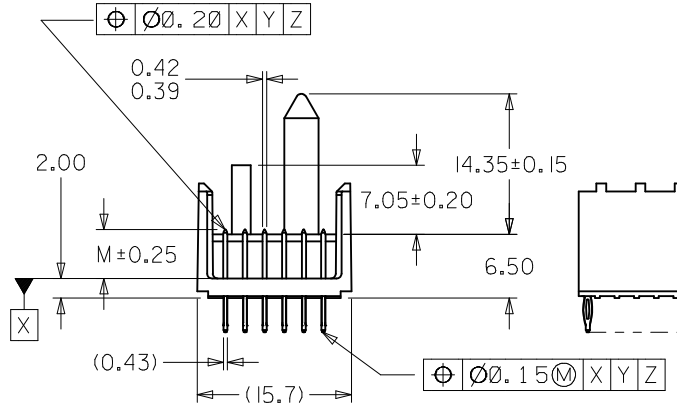
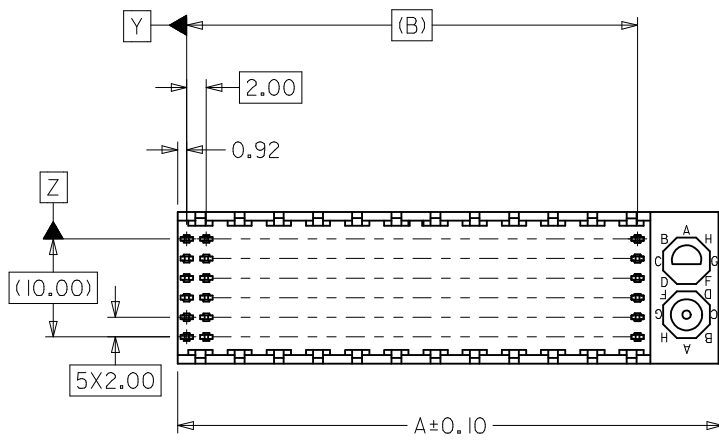
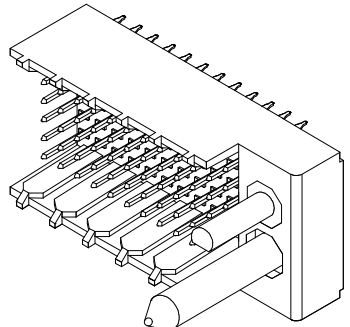


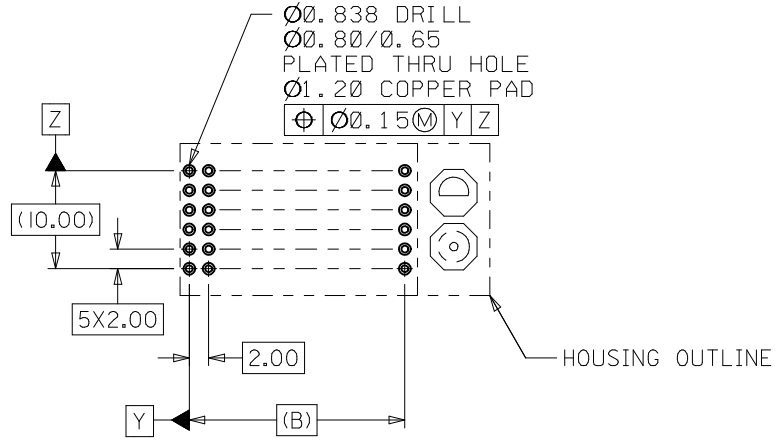
10 9 8 7 6 5 4 3 2 1



SEE NOTE 8

NOTES:

1. MATERIALS: HOUSING - LIQUID CRYSTAL POLYMER (LCP)
GLASS-FILLED, UL 94V-0, COLOR: BLACK.
TERMINAL - PHOSPHOR BRONZE.
2. FINISH: SELECTIVE GOLD (Au) IN CONTACT AREA, 0.76 MICROMETERS MINIMUM THICKNESS;
NICKEL (Ni) AND GOLD FLASH OVERALL.
SELECTIVE GOLD (Au) IN CONTACT AREA, 0.76 MICROMETERS MINIMUM THICKNESS;
SELECTIVE MATTE TIN (Sn) ON IN TAIL AREA.
NICKEL (Ni) OVERALL.
3. THIS PART CONFORMS TO MOLEX PRODUCT SPECIFICATION PS-73670-9999.
4. FOR MIXED CONTACT MATING LENGTHS, CONSULT FACTORY FOR AVAILABILITY.
5. DIMENSIONS ARE IN MILLIMETERS.
6. FOR SPECIFIC MATERIAL NUMBERS, SEE SHEET 2.
7. PACKAGE PER 70873-0818.
8. PARTS MARKED WITH PART NUMBER AND DATE CODE ON EITHER SIDE,
APPROXIMATELY WHERE SHOWN.



PCB LAYOUT: COMPONENT SIDE
RECOMMENDED PCB THICKNESS: 2.50 MIN

LEAD FREE CONVERSION EC NO: UCP2013-3253 DRWN:RWHIPPLE 2013/02/04 CHKD:MWOLFE 2013/02/04 APPR:SMILLER 2013/08/05	QUALITY SYMBOLS ▽=0 ▽=0 ▽=0	GENERAL TOLERANCES (UNLESS SPECIFIED) mm INCH 4 PLACES ± --- ± --- 3 PLACES ± --- ± --- 2 PLACES ± 0.05 ± --- 1 PLACE ± 0.10 ± --- 0 PLACE ± --- ± ---	DIMENSION STYLE MM ONLY DRAWN BY DATE RWHIPPLE 2013/02/04 CHECKED BY DATE SMR/CAB 96/12/18 APPROVED BY DATE SMILLER 2013/08/05	SCALE 2:1 DESIGN UNITS METRIC THIRD ANGLE PROJECTION	TITLE SALES ASSEMBLY, HDM BACKPLANE MODULE POLAR/GUIDE OPTION
	MATERIAL NO. SEE SHEET 2	DOCUMENT NO. SDA-73644-****	SHEET NO. 1 OF 2		
	ANGULAR ±1/2° DRAFT WHERE APPLICABLE MUST REMAIN WITHIN DIMENSIONS				
	THIS DRAWING CONTAINS INFORMATION THAT IS PROPRIETARY TO MOLEX INCORPORATED AND SHOULD NOT BE USED WITHOUT WRITTEN PERMISSION				

9 8 7 6 5 4 3 2 1

MATERIAL NUMBER	NUMBER OF SIGNAL CONTACTS	PLATING	DIM "A"	DIM "B"	DIM "M"
73644-00**	72	SELECTIVE GOLD/GOLD FLASH	31.60	22.00	5.00
73644-01**	72	SELECTIVE GOLD/GOLD FLASH	31.60	22.00	5.50
73644-02**	72	SELECTIVE GOLD/GOLD FLASH	31.60	22.00	6.00
73644-10**	144	SELECTIVE GOLD/GOLD FLASH	55.60	46.00	5.00
73644-11**	144	SELECTIVE GOLD/GOLD FLASH	55.60	46.00	5.50
73644-12**	144	SELECTIVE GOLD/GOLD FLASH	55.60	46.00	6.00
73644-20**	72	SELECTIVE GOLD/SELECTIVE MATTE TIN	31.60	22.00	5.00
73644-21**	72	SELECTIVE GOLD/SELECTIVE MATTE TIN	31.60	22.00	5.50
73644-22**	72	SELECTIVE GOLD/SELECTIVE MATTE TIN	31.60	22.00	6.00
73644-30**	144	SELECTIVE GOLD/SELECTIVE MATTE TIN	55.60	46.00	5.00
73644-31**	144	SELECTIVE GOLD/SELECTIVE MATTE TIN	55.60	46.00	5.50
73644-32**	144	SELECTIVE GOLD/SELECTIVE MATTE TIN	55.60	46.00	6.00

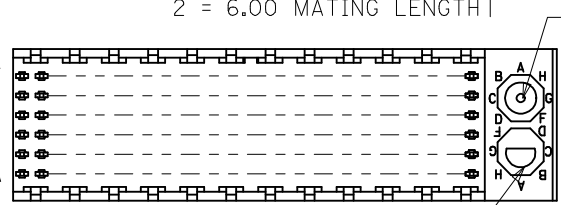
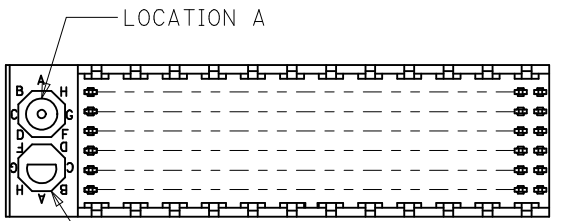
MATERIAL NUMBER ASSIGNMENT

73644- * * * *

0 = 72-CIRCUIT, GOLD/GOLD FLASH
 1 = 144-CIRCUIT, GOLD/GOLD FLASH
 2 = 72-CIRCUIT, *GOLD/MATTE TIN
 3 = 144-CIRCUIT, *GOLD/MATTE TIN
 * FORMERLY TIN/LEAD

0 = 5.00 MATING LENGTH
 1 = 5.50 MATING LENGTH
 2 = 6.00 MATING LENGTH

NUMBER	GUIDE POST LOCATION	POLAR KEY POSITION
00	B	
01	A	A
02	B	B
03	A	C
04	B	D
05	A	E
06	B	F
07	A	G
08	B	H
09	A	
10	B	
11	A	
12	B	
13	A	
14	B	
15	A	
16	B	
17	A	
18	N/A	N/A



REF. MATERIAL NUMBER 73644-0009
 GUIDE PIN IS IN LOCATION A
 POLARIZING KEY IS IN LOCATION B, POSITION E

REF. MATERIAL NUMBER 73644-0008
 GUIDE PIN IS IN LOCATION B
 POLARIZING KEY IS IN LOCATION A, POSITION E

SEE SHEET 1 EC NO: UCP2013-3253 DRAWN: RWHPLE 2013/02/04 CHKD: MWOLF 2013/02/04 APPR: SMILLER 2013/08/05	REV DESCRIPTION F/0 F/0 F/0	QUALITY SYMBOLS	GENERAL TOLERANCES (UNLESS SPECIFIED)	DIMENSION STYLE MM ONLY	SCALE 1:1	DESIGN UNITS METRIC	THIRD ANGLE PROJECTION																															
			<table border="1"> <thead> <tr> <th></th> <th>mm</th> <th>INCH</th> </tr> </thead> <tbody> <tr><td>4 PLACES</td><td>± ---</td><td>± ---</td></tr> <tr><td>3 PLACES</td><td>± ---</td><td>± ---</td></tr> <tr><td>2 PLACES</td><td>± 0.05</td><td>± ---</td></tr> <tr><td>1 PLACE</td><td>± 0.10</td><td>± ---</td></tr> <tr><td>0 PLACE</td><td>± ---</td><td>± ---</td></tr> </tbody> </table>		mm	INCH	4 PLACES	± ---	± ---	3 PLACES	± ---	± ---	2 PLACES	± 0.05	± ---	1 PLACE	± 0.10	± ---	0 PLACE	± ---	± ---	<table border="1"> <thead> <tr> <th>DRAWN BY</th> <th>DATE</th> </tr> </thead> <tbody> <tr><td>RWHPLE</td><td>2013/02/04</td></tr> <tr> <th>CHECKED BY</th> <th>DATE</th> </tr> <tr><td>SMR/CAB</td><td>96/12/18</td></tr> <tr> <th>APPROVED BY</th> <th>DATE</th> </tr> <tr><td>SMILLER</td><td>2013/08/05</td></tr> </tbody> </table>	DRAWN BY	DATE	RWHPLE	2013/02/04	CHECKED BY	DATE	SMR/CAB	96/12/18	APPROVED BY	DATE	SMILLER	2013/08/05	TITLE	SALES ASSEMBLY, HDM BACKPLANE MODULE POLAR/GUIDE OPTION		
			mm	INCH																																		
		4 PLACES	± ---	± ---																																		
3 PLACES	± ---	± ---																																				
2 PLACES	± 0.05	± ---																																				
1 PLACE	± 0.10	± ---																																				
0 PLACE	± ---	± ---																																				
DRAWN BY	DATE																																					
RWHPLE	2013/02/04																																					
CHECKED BY	DATE																																					
SMR/CAB	96/12/18																																					
APPROVED BY	DATE																																					
SMILLER	2013/08/05																																					
ANGULAR ±1/2° DRAFT WHERE APPLICABLE MUST REMAIN WITHIN DIMENSIONS				MATERIAL NO. SEE CHART	DOCUMENT NO. SDA-73644-****	SHEET NO. 2 OF 2																																

MATERIAL NUMBER	NUMBER OF SIGNAL CONTACTS	PLATING	DIM "A"	DIM "B"	DIM "M"
73644-00**	72	SELECTIVE GOLD/GOLD FLASH	31.60	22.00	5.00
73644-01**	72	SELECTIVE GOLD/GOLD FLASH	31.60	22.00	5.50
73644-02**	72	SELECTIVE GOLD/GOLD FLASH	31.60	22.00	6.00
73644-10**	144	SELECTIVE GOLD/GOLD FLASH	55.60	46.00	5.00
73644-11**	144	SELECTIVE GOLD/GOLD FLASH	55.60	46.00	5.50
73644-12**	144	SELECTIVE GOLD/GOLD FLASH	55.60	46.00	6.00
73644-20**	72	SELECTIVE GOLD/SELECTIVE TIN-LEAD	31.60	22.00	5.00
73644-21**	72	SELECTIVE GOLD/SELECTIVE TIN-LEAD	31.60	22.00	5.50
73644-22**	72	SELECTIVE GOLD/SELECTIVE TIN-LEAD	31.60	22.00	6.00
73644-30**	144	SELECTIVE GOLD/SELECTIVE TIN-LEAD	55.60	46.00	5.00
73644-31**	144	SELECTIVE GOLD/SELECTIVE TIN-LEAD	55.60	46.00	5.50
73644-32**	144	SELECTIVE GOLD/SELECTIVE TIN-LEAD	55.60	46.00	6.00

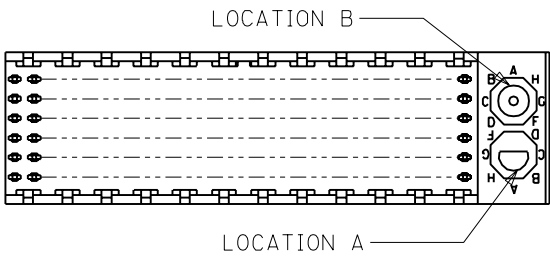
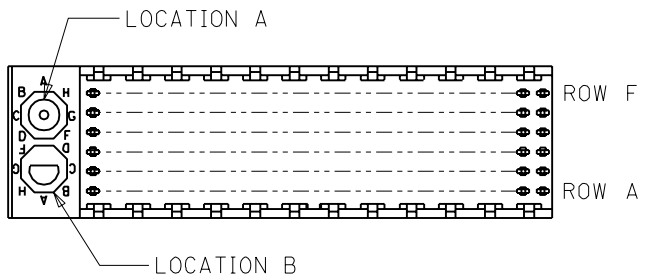
MATERIAL NUMBER ASSIGNMENT

73644- * * * *

0 = 72-CIRCUIT, GOLD/GOLD FLASH
 1 = 144-CIRCUIT, GOLD/GOLD FLASH
 2 = 72-CIRCUIT, GOLD/TIN-LEAD
 3 = 144-CIRCUIT, GOLD/TIN-LEAD

0 = 5.00 MATING LENGTH
 1 = 5.50 MATING LENGTH
 2 = 6.00 MATING LENGTH

NUMBER	GUIDE POST LOCATION	POLAR KEY POSITION
00	B	
01	A	A
02	B	
03	A	B
04	B	C
05	A	
06	B	D
07	A	
08	B	E
09	A	
10	B	F
11	A	
12	B	G
13	A	
14	B	H
15	A	
16	B	
17	A	N/A
18	N/A	



REF. MATERIAL NUMBER 73644-0009
 GUIDE PIN IS IN LOCATION A
 POLARIZING KEY IS IN LOCATION B, POSITION E

REF. MATERIAL NUMBER 73644-0008
 GUIDE PIN IS IN LOCATION B
 POLARIZING KEY IS IN LOCATION A, POSITION E

	DIMENSIONS SHOWN (METRIC) INCH	▽ = 0	▼ = 0	REVISE ONLY ON CAD SYSTEM																								
	UNLESS OTHERWISE SPECIFIED TOLERANCES: ANGULAR = 1/2°	TITLE SALES ASSY, HDM BACKPLANE MODULE, POLAR/GUIDE OPTION																										
	<table border="1" style="width: 100%; border-collapse: collapse;"> <thead> <tr> <th></th> <th style="text-align: center;">INCH</th> <th style="text-align: center;">METRIC</th> </tr> </thead> <tbody> <tr> <td>3 PLACE</td> <td style="text-align: center;">± N/A</td> <td style="text-align: center;">---</td> </tr> <tr> <td>2 PLACE</td> <td style="text-align: center;">± N/A</td> <td style="text-align: center;">± N/A</td> </tr> <tr> <td>1 PLACE</td> <td style="text-align: center;">---</td> <td style="text-align: center;">± N/A</td> </tr> </tbody> </table>		INCH	METRIC	3 PLACE	± N/A	---	2 PLACE	± N/A	± N/A	1 PLACE	---	± N/A	<table border="1" style="width: 100%; border-collapse: collapse;"> <tr> <td style="font-size: x-small;">molex</td> <td style="font-weight: bold; font-size: small;">MOLEX INCORPORATED</td> <td style="font-size: x-small;">SHEET NO.</td> <td style="font-size: x-small;">DATE</td> </tr> <tr> <td style="font-size: x-small;">LISLE, ILL.</td> <td style="font-size: x-small;">60532</td> <td style="text-align: center;">2</td> <td style="text-align: center;">96/12/18</td> </tr> <tr> <td style="font-size: x-small;">PART NO.</td> <td style="font-size: x-small;">DRWG. NO.</td> <td colspan="2" style="text-align: center; font-weight: bold; font-size: small;">SEE CHART SDA-73644-*****</td> </tr> </table>			molex	MOLEX INCORPORATED	SHEET NO.	DATE	LISLE, ILL.	60532	2	96/12/18	PART NO.	DRWG. NO.	SEE CHART SDA-73644-*****	
	INCH	METRIC																										
3 PLACE	± N/A	---																										
2 PLACE	± N/A	± N/A																										
1 PLACE	---	± N/A																										
molex	MOLEX INCORPORATED	SHEET NO.	DATE																									
LISLE, ILL.	60532	2	96/12/18																									
PART NO.	DRWG. NO.	SEE CHART SDA-73644-*****																										
	DRAFT WHERE APPLICABLE MUST REMAIN WITHIN DIMENSIONS	THIS DRAWING CONTAINS INFORMATION THAT IS PROPRIETARY TO MOLEX INC. AND SHOULD NOT BE USED WITHOUT WRITTEN PERMISSION.																										
	DRWG. BY: JRR	CHK'D. BY: SMR	DIV. SIZE: DA B																									
	APP'D. BY: CAB	SCALE: ---:---																										
LTR.	REVISIONS	LTR.	REVISIONS																									