



FEATURES AND SPECIFICATIONS

Features and Benefits

- High-density 2.00mm metric connector in the same form factor as Futurebus
- 6-row 2mm connector provides 30 contacts per linear centimeter (over 75 per inch)
- Designed for high-density, high-speed applications
- Modular components for design flexibility; 72 position (6 row by 12) and 144 position (6 row by 24) modules
- Tail lengths available in 0.5mm increments to optimize PCB thickness
- Surface Mount Compatible

Reference Information

Product Specification: PS-73670-9999

Packaging: Tube

UL File No.: E29179

Mates With: 73642, 73643, 73644, 73769, 73770, 73771, 73781, 73782 and 73783

Designed In: Millimeters

Electrical

Voltage: 1000V
 Current: 1.0A
 Contact Resistance: 40mΩ max
 Dielectric Withstanding Voltage: 1000V
 Insulation Resistance: 1000 MΩ min.

Mechanical

Insertion Force: 45N max. per press-fit pin
 Retention Force: 9N min. per press-fit pin
 Mating Force: 0.35N typical
 Unmating Force: 0.15N min.
 Signal Normal Force: 0.75N nom./0.60N min.
 Durability: 250 cycles

Physical

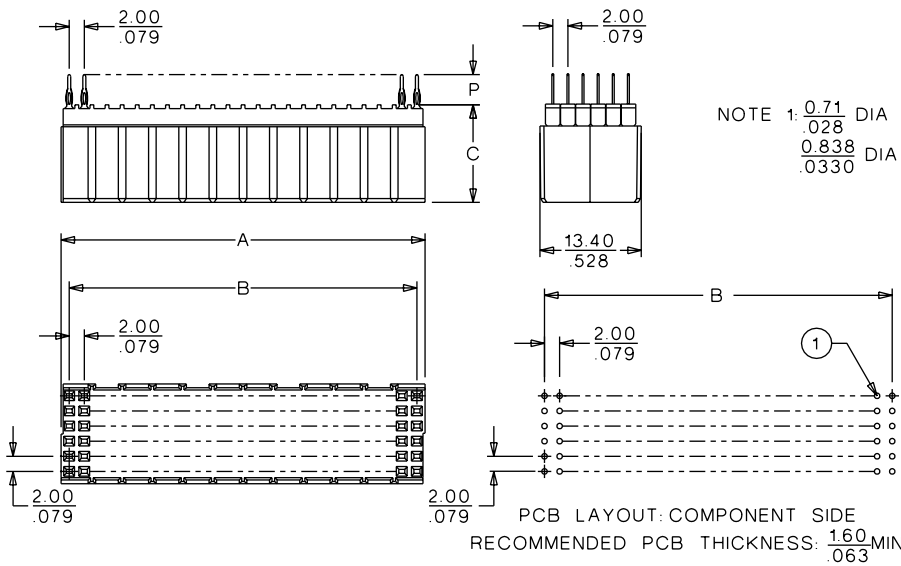
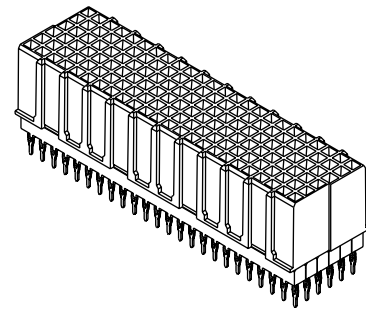
Housing: Liquid crystal polymer
 Contact: Copper Alloy per C72500
 Plating: 30μ" Gold with 300μ" Tin/Lead
 Temperature: -55 to +105°C

molex® 2.00mm (.079") Pitch

**HDM*
 Board-to-Board
 Daughterboard Receptacle**

73780

**Vertical
 Signal Module**



Note: Press-fit version shown

ORDERING INFORMATION AND DIMENSIONS

Circuits	Order No.	Termination	Dimension			
			A	B	P	C
72	73780-0123	Solder Tail	24.17 (.952)	22.00 (.866)	2.00 (.079)	13.00 (.512)
	73780-0133	Solder Tail	24.17 (.952)	22.00 (.866)	2.50 (.098)	13.00 (.512)
	73780-0143	Solder Tail	24.17 (.952)	22.00 (.866)	3.00 (.118)	13.00 (.512)
	73780-0153	Solder Tail	24.17 (.952)	22.00 (.866)	3.50 (.138)	13.00 (.512)
	73780-0163	Solder Tail	24.17 (.952)	22.00 (.866)	4.00 (.158)	13.00 (.512)
	73780-2153	Press-Fit	24.17 (.952)	22.00 (.866)	3.50 (.138)	13.00 (.512)
144	73780-1123	Solder Tail	48.17 (1.896)	46.00 (1.811)	2.00 (.079)	13.00 (.512)
	73780-1133	Solder Tail	48.17 (1.896)	46.00 (1.811)	2.50 (.098)	13.00 (.512)
	73780-1143	Solder Tail	48.17 (1.896)	46.00 (1.811)	3.00 (.118)	13.00 (.512)
	73780-1153	Solder Tail	48.17 (1.896)	46.00 (1.811)	3.50 (.138)	13.00 (.512)
	73780-1163	Solder Tail	48.17 (1.896)	46.00 (1.811)	4.00 (.158)	13.00 (.512)
	73780-3153	Press-Fit	48.17 (1.896)	46.00 (1.811)	3.50 (.138)	13.00 (.512)

* High Density Metric and HDM^{PLUS} are registered trademarks of Teradyne, Inc.
 Note: Different stack heights (Dimension C) are available