

PLEASE CHECK WWW.MOLEX.COM FOR LATEST PART INFORMATION

Part Number: **0736441107**
Status: **Active**
Overview: HDM Backplane Connector System
Description: HDM Board-to-Board Backplane Header, Vertical, SMC, Press-Fit, Guide Post Location A, Polarizing Key Position D, 144 Circuits, Mating Length 5.50mm

Documents:

[3D Model](#) [Packaging Specification PK-70873-0818 \(PDF\)](#)
[Drawing \(PDF\)](#) [RoHS Certificate of Compliance \(PDF\)](#)

Agency Certification

CSA LR19980
 UL E29179

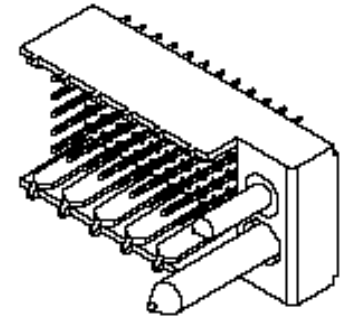
General

Product Family Backplane Connectors
 Series 73644
 Application Backplane
 Comments Standard Press-Fit, Standard Press-Fit
 Component Type PCB Header
 Overview HDM Backplane Connector System
 Product Name HDM
 UPC 800753302037

Physical

Circuits (Loaded) 144
 Circuits (maximum) 144
 Color - Resin Black, Natural
 Durability (mating cycles max) 250
 First Mate / Last Break No
 Flammability 94V-0
 Guide to Mating Part Yes
 Keying to Mating Part Yes
 Material - Metal Phosphor Bronze, Stainless Steel
 Material - Plating Mating Gold
 Material - Plating Termination Gold
 Material - Resin High Temperature Thermoplastic
 Number of Columns 24
 Number of Pairs Open Pin Field
 Number of Rows 6
 Orientation Vertical
 PC Tail Length 3.50mm
 PCB Locator No
 PCB Retention Yes
 PCB Thickness - Recommended 2.50mm
 Packaging Type Tube
 Pitch - Mating Interface 2.00mm
 Pitch - Termination Interface 2.00mm
 Plating min - Mating 0.762µm
 Plating min - Termination 0.051µm
 Polarized to PCB No
 Stackable Yes
 Surface Mount Compatible (SMC) Yes
 Temperature Range - Operating -55° to +105°C
 Termination Interface: Style Through Hole - Compliant Pin

Electrical



Series image - Reference only

EU ELV

Not Reviewed

EU RoHS

Not Reviewed

REACH SVHC

Not Reviewed

Halogen-Free

Status

Not Reviewed

For more information, please visit [Contact US](#)

China ROHS	Not Reviewed
ELV	Not Reviewed
RoHS Phthalates	Not Reviewed

Search Parts in this Series

73644 Series

Mates With

73632 HDM+ Board-to-Board Daughtercard Receptacle. 73780 HDM Board-to-Board Daughtercard Receptacle

Application Tooling | FAQ

Tooling specifications and manuals are found by selecting the products below. Crimp Height Specifications are then contained in the Application Tooling Specification document.

Global

Description	Product #
Extraction Tool	<u>621001000</u>
Backplane Insertion	<u>621001400</u>
Signal Contact Tool	
Backplane Insertion	<u>622005703</u>
Head for 144 Circuits	

Current - Maximum per Contact	1.0A
Data Rate	1.0 Gbps
Real Signals (per 25mm)	75
Shielded	No
Voltage - Maximum	250V AC

Material Info

Reference - Drawing Numbers

Packaging Specification	PK-70873-0818
Sales Drawing	SDA-73644-XXXX

This document was generated on 09/13/2019

PLEASE CHECK WWW.MOLEX.COM FOR LATEST PART INFORMATION