

ASSEMBLY NUMBER

FINISH

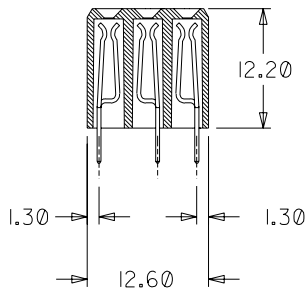
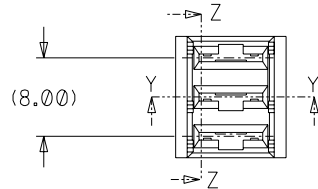
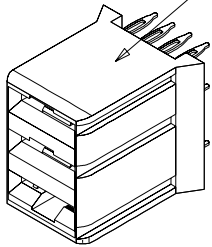
73656-0000

SEE NOTE 2.

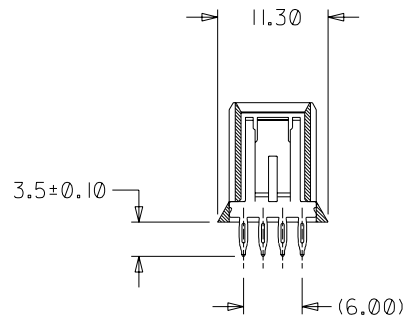
73656-0001

SEE NOTE 3.

DATE CODE AND PART NUMBER ON THIS SURFACE OR SURFACE OPPOSITE.



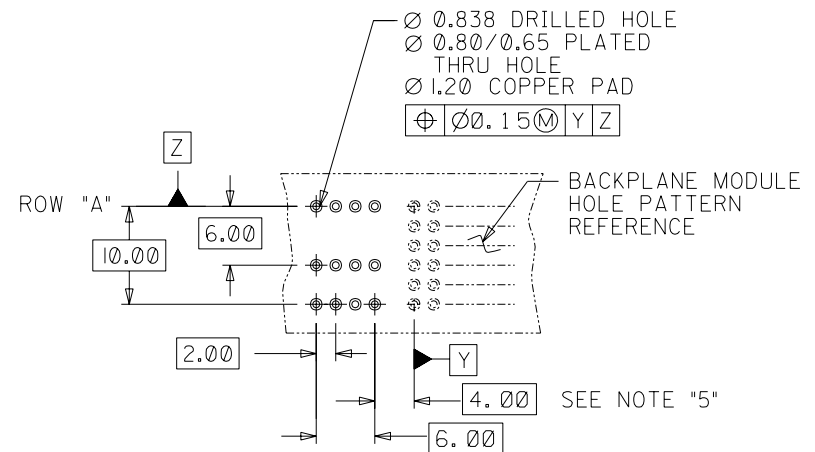
SECTION: Z-Z  
ROTATED 90° CW



SECTION: Y-Y

NOTES:

1. MATERIALS: HOUSING - LIQUID CRYSTAL POLYMER (LCP), GLASS-FILLED, UL94V-0, COLOR: BLACK  
TERMINAL - COPPER ALLOY
2. FINISH: SELECTIVE GOLD (Au) IN CONTACT AREA, 0.00076mm MINIMUM THICKNESS; NICKEL (Ni) AND GOLD FLASH OVERALL
3. FINISH: SELECTIVE GOLD (Au) IN CONTACT AREA, 0.00076mm MINIMUM THICKNESS; TIN / LEAD OVER NICKEL IN COMPLIANT AREA; NICKEL (Ni) OVERALL ON REMAINING WITH SEL. GOLD FLASH.
4. THIS DIMENSION MUST BE A MULTIPLE OF 4.00mm.
5. DIMENSIONS ARE IN MILLIMETERS.
6. THIS PART CONFORMS TO MOLEX PRODUCT SPECIFICATION PS-73670-9999.
7. ASSEMBLIES PACKAGE PER PK-70873-0819.



PCB LAYOUT: COMPONENT SIDE  
RECOMMENDED PCB THICKNESS: 2.50 MIN

4	G
3	G
2	D
1	G
SH	REV.

G	ADD TOLERANCE PER UCP2004-1027 ELO 03/11/26	D	NEW MIDPLANE PER UDT2000-1298 ELO 00/06/20
F	ADD SHEET 4 PER UCP2003-0012 ELO 02/07/03	C	ADD TAIL LENGTH PER UDT2000-1240 ELO 00/06/08
E	ADD -5001 P/N PER UDT2002-0540 ELO 01/10/03	B	DATE CODE PER UDT2000-0399 ELO 99/10/26
LTR.	REVISIONS	LTR.	REVISIONS

DIMENSIONS SHOWN (METRIC) INCH	
UNLESS OTHERWISE SPECIFIED TOLERANCES: ANGULAR ± 1/2°	
3 PLACE	± N/A
2 PLACE	± N/A
1 PLACE	± ---
DRAFT WHERE APPLICABLE MUST REMAIN WITHIN DIMENSIONS	
DRWG. BY: ELO	CHK'D. BY: SMR
APP'D. BY: CAB	SCALE: 2 : 1

REVISIONS ONLY ON CAD SYSTEM	
TITLE: SALES ASSY, HDM BACKPLANE POWER MODULE (PRESS FIT)	
MOLEX INCORPORATED LISLE, ILL. 60532 U.S.A.	SHEET NO. 1 OF 4 DATE 98/05/21
PART NO. SDA-73656-*	DRWG. NO. *00*
FILE NAME: S73656X1 DGN	THIS DRAWING CONTAINS INFORMATION THAT IS PROPRIETARY TO MOLEX INC. AND SHOULD NOT BE USED WITHOUT WRITTEN PERMISSION.
DA	B