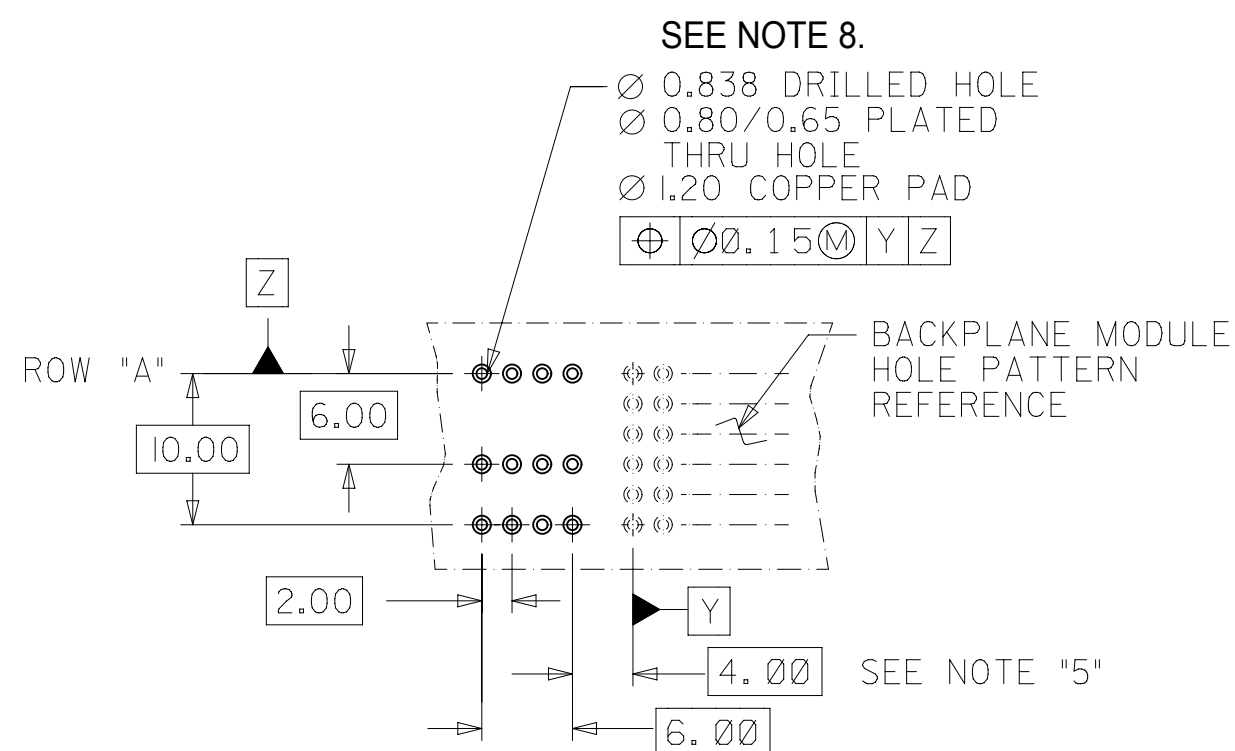
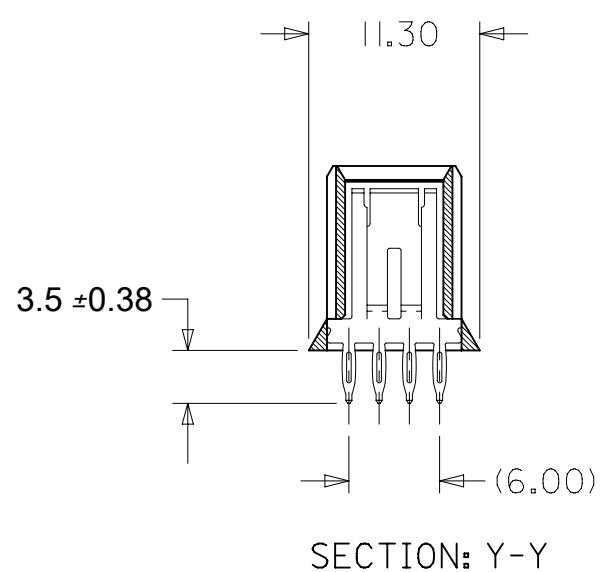
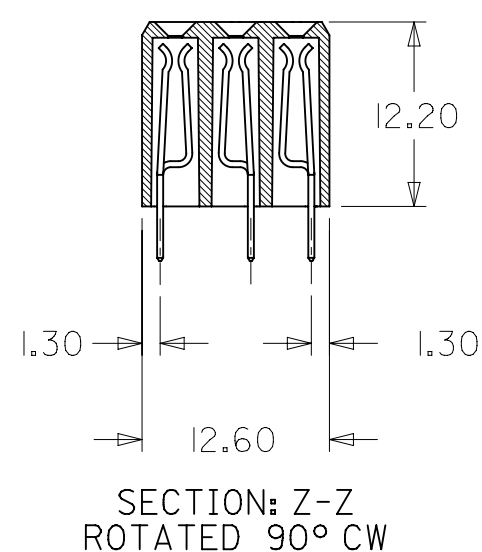
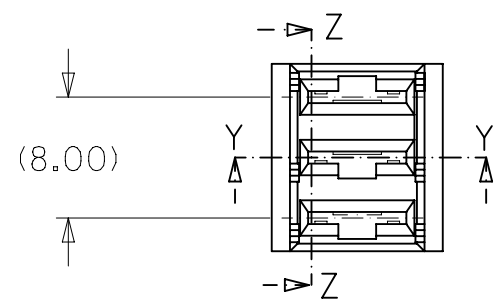
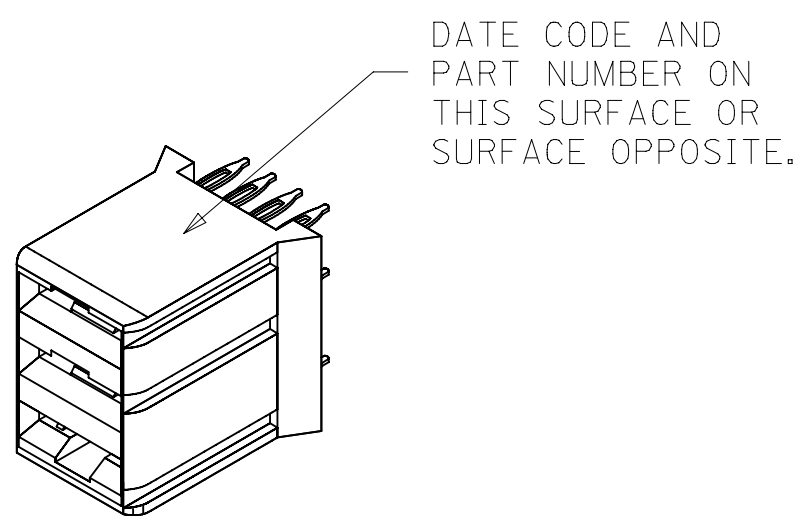


ASSEMBLY NUMBER	FINISH
73656-0000	SEE NOTE 2.
73656-0001	SEE NOTE 3.



PCB LAYOUT: COMPONENT SIDE
RECOMMENDED PCB THICKNESS: 2.50 MIN

NOTES:

- MATERIALS: HOUSING - LIQUID CRYSTAL POLYMER (LCP), GLASS-FILLED, UL94V-0, COLOR: BLACK
TERMINAL - COPPER ALLOY
- FINISH: SELECTIVE GOLD (Au) IN CONTACT AREA, 0.76 micrometer
MINIMUM THICKNESS: NICKEL (Ni) AND GOLD FLASH OVERALL
- FINISH: SELECTIVE GOLD (Au) IN CONTACT AREA, 0.76 micrometer
MINIMUM THICKNESS: MATTE TIN (Sn) OVER NICKEL (Ni)
IN COMPLIANT AREA: NICKEL (Ni) OVERALL ON REMAINING
WITH SELECTIVE GOLD (Au) FLASH.
- THIS DIMENSION MUST BE A MULTIPLE OF 4.00 mm.
- DIMENSIONS ARE IN MILLIMETERS.
- THIS PART CONFORMS TO MOLEX PRODUCT SPECIFICATION PS-73670-9999.
- PACKAGE ASSEMBLIES PER PK-70873-0819.
- HOLE SIZE SPECIFICATION IS FOR TIN/LEAD PLATED HOLES ONLY.
FOR OTHER PLATING TYPES SEE MOLEX APPLICATION AS-73670-9996.
- THIS PART CONFORMS TO MOLEX COSMETIC SPECIFICATION PS-45499-002 CLASS B.

SYMBOLS		THIS DRAWING CONTAINS INFORMATION THAT IS PROPRIETARY TO MOLEX ELECTRONIC TECHNOLOGIES, LLC AND SHOULD NOT BE USED WITHOUT WRITTEN PERMISSION	
DIMENSION UNITS	SCALE	CURRENT REV DESC:	
= 0	mm	2:1	EC NO: 607574 DRWN: DMORGAN 2018/11/13 CHK'D: TELO 2018/11/15 APPR: TELO 2018/11/15
= 0	GENERAL TOLERANCES (UNLESS SPECIFIED)		
= 0	ANGULAR TOL ± 0.5°		
= 0	4 PLACES	±	INITIAL REVISION: DRWN: TELO 1998/05/21 APPR: CBIXLER 2000/06/13
= 0	3 PLACES	±	
= 0	2 PLACES	± 0.13	DOCUMENT NUMBER: SDA-73656-X00X DOC TYPE: PSD DOC PART: 001 REVISION: J
= 0	1 PLACE	± 0.25	
= 0	0 PLACES	±	MATERIAL NUMBER: SEE TABLES CUSTOMER: GENERAL MARKET SHEET NUMBER: 1 OF 4
= 0	DRAFT WHERE APPLICABLE MUST REMAIN WITHIN DIMENSIONS		
		THIRD ANGLE PROJECTION	DRAWING: C-SIZE
		SERIES: 73656	

molex

SALES ASSY , HDM
BACKPLANE POWER MODULE (PRESSFIT)

PRODUCT CUSTOMER DRAWING

DOCUMENT NUMBER: SDA-73656-X00X
DOC TYPE: PSD
DOC PART: 001
REVISION: J

MATERIAL NUMBER: SEE TABLES
CUSTOMER: GENERAL MARKET
SHEET NUMBER: 1 OF 4

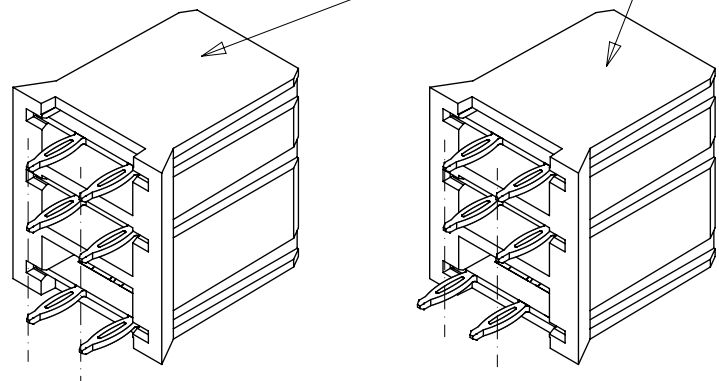
SALES ASSY , HDM
BACKPLANE POWER MODULE (PRESSFIT)

PRODUCT CUSTOMER DRAWING

DOCUMENT NUMBER: SDA-73656-X00X
DOC TYPE: PSD
DOC PART: 001
REVISION: J

MATERIAL NUMBER: SEE TABLES
CUSTOMER: GENERAL MARKET
SHEET NUMBER: 1 OF 4

DATE CODE AND
PART NUMBER ON
THIS SURFACE OR
SURFACE OPPOSITE.



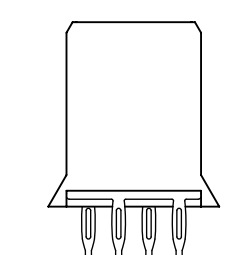
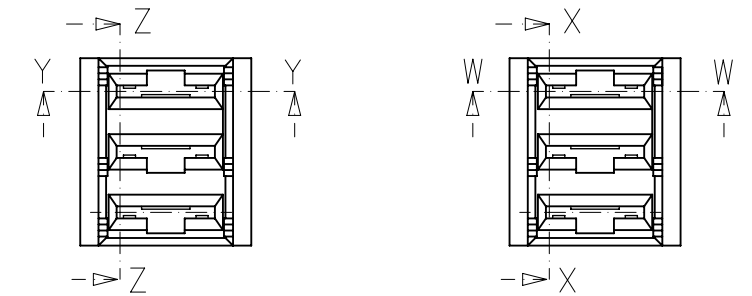
73656-100*

73656-200*

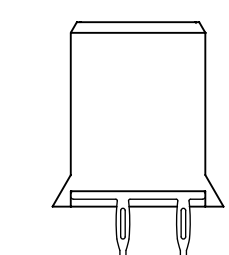
MIDPLANE OPTION

ASSEMBLY NUMBER	FINISH (SEE SHT 1)
73656-1000	SEE NOTE 2. (GOLD TAILS)
73656-2000	
73656-1001	SEE NOTE 3. *(MATTE TIN TAILS)
73656-2001	

* FORMERLY TIN/LEAD

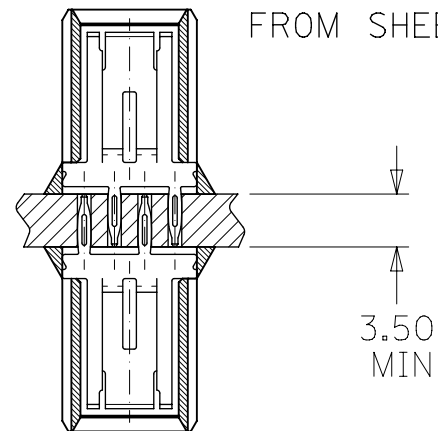


73656-200*

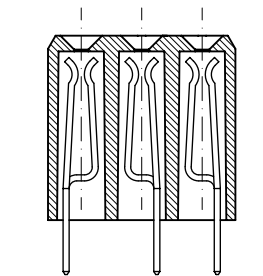


73656-100*

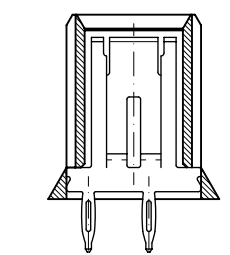
USE BACKPLANE MODULE
HOLE REFERENCE PATTERN
FROM SHEET 1



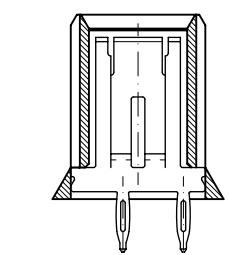
BACK-TO-BACK
MOUNTING APPLICATION



SECTION X-X
SECTION Z-Z
ROTATED 90° CW



SECTION: Y-Y
(4.00)

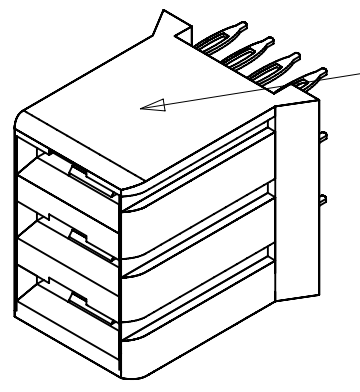


SECTION: W-W
(4.00)

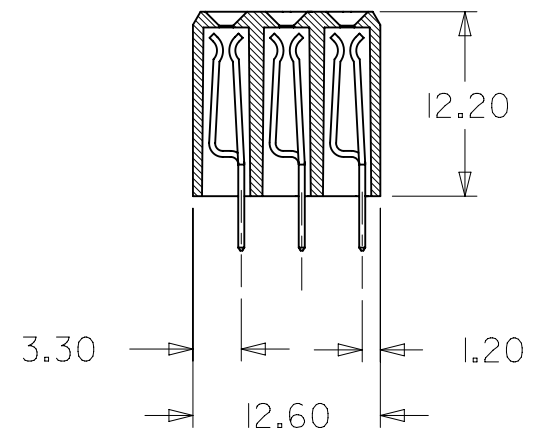
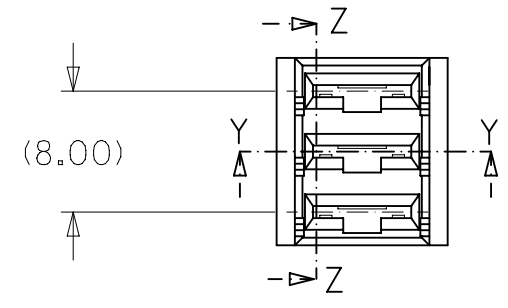
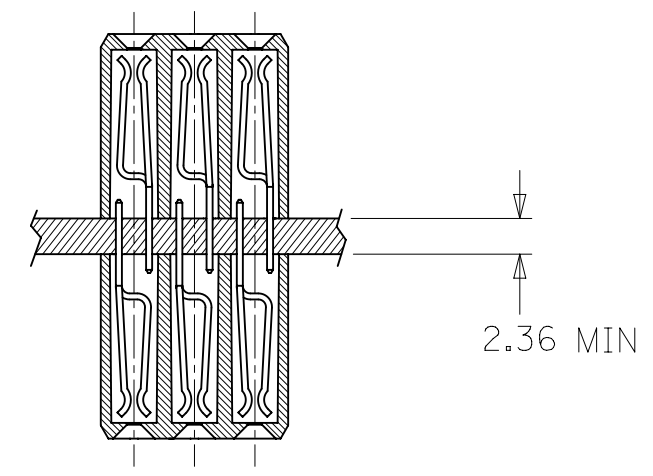
SYMBOLS		THIS DRAWING CONTAINS INFORMATION THAT IS PROPRIETARY TO MOLEX ELECTRONIC TECHNOLOGIES, LLC AND SHOULD NOT BE USED WITHOUT WRITTEN PERMISSION	
DIMENSION UNITS	SCALE	CURRENT REV DESC:	
= 0	mm	2:1	
= 0	GENERAL TOLERANCES (UNLESS SPECIFIED)		
= 0	ANGULAR TOL ± 0.5°		
= 0	4 PLACES	±	
= 0	3 PLACES	±	
= 0	2 PLACES	± 0.13	
= 0	1 PLACE	± 0.25	
= 0	0 PLACES	±	
= 0	DRAFT WHERE APPLICABLE MUST REMAIN WITHIN DIMENSIONS		
= 0	THIRD ANGLE PROJECTION		
= 0	DRAWING		SERIES
= 0	B-SIZE		73656
EC NO: 607574		2018/11/13	
DRWN: DMORGAN		2018/11/15	
CHK'D: TELO		2018/11/15	
APPR: TELO		2018/11/15	
INITIAL REVISION:		1998/05/21	
DRWN: TELO		2000/06/13	
APPR: CBIXLER		2000/06/13	
DOCUMENT NUMBER		DOC TYPE	DOC PART
SDA-73656-X00X		PSD	001
REVISION		J	
MATERIAL NUMBER		CUSTOMER	SHEET NUMBER
SEE TABLES		GENERAL MARKET	2 OF 4

DOCUMENT STATUS	P1	RELEASE DATE	2018/11/15	03:28:27
-----------------	----	--------------	------------	----------

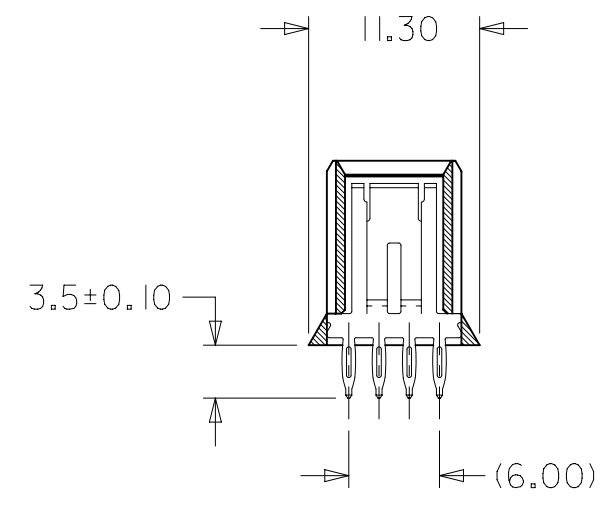
ASSEMBLY NUMBER	FINISH (SHT 1)
73656-5000	SEE NOTE 2.
73656-5001	SEE NOTE 3.



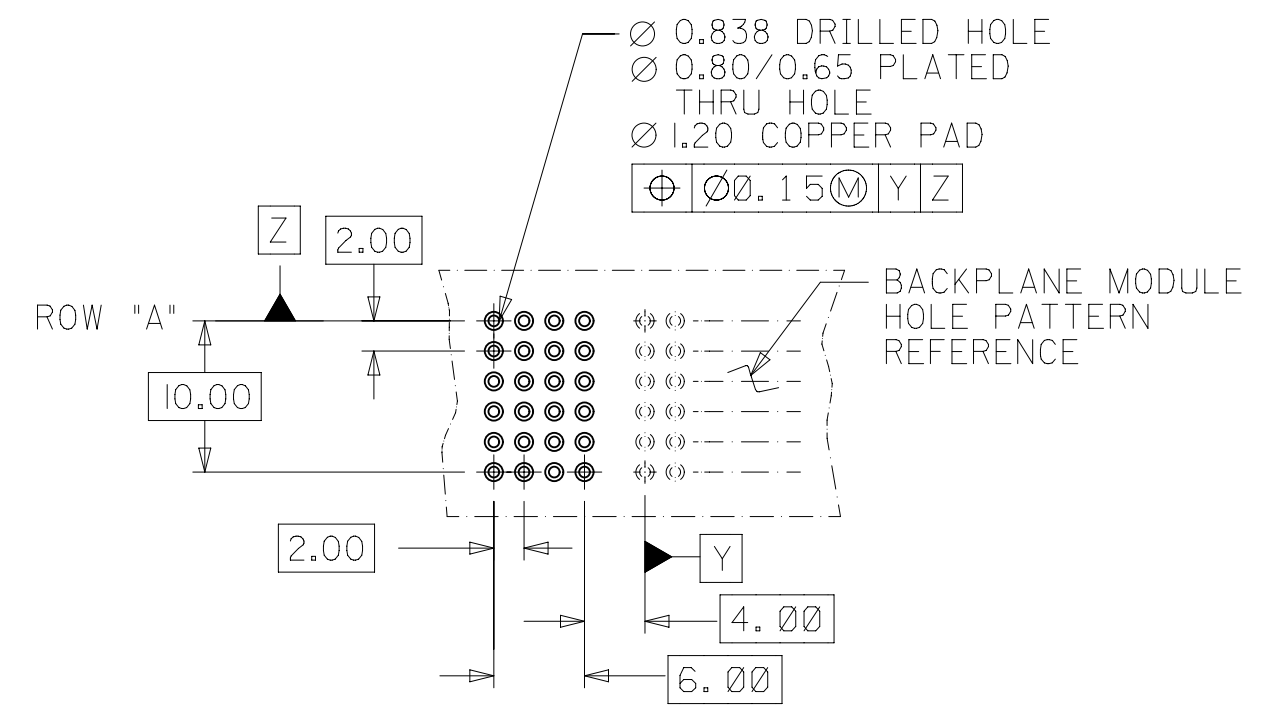
DATE CODE AND PART NUMBER ON THIS SURFACE OR SURFACE OPPOSITE.



SECTION: Z-Z
ROTATED 90° CW



SECTION: Y-Y



- Ø 0.838 DRILLED HOLE
- Ø 0.80/0.65 PLATED THRU HOLE
- Ø 1.20 COPPER PAD

⊕	Ø0.15	Ⓜ	Y	Z
---	-------	---	---	---

BACKPLANE MODULE HOLE PATTERN REFERENCE

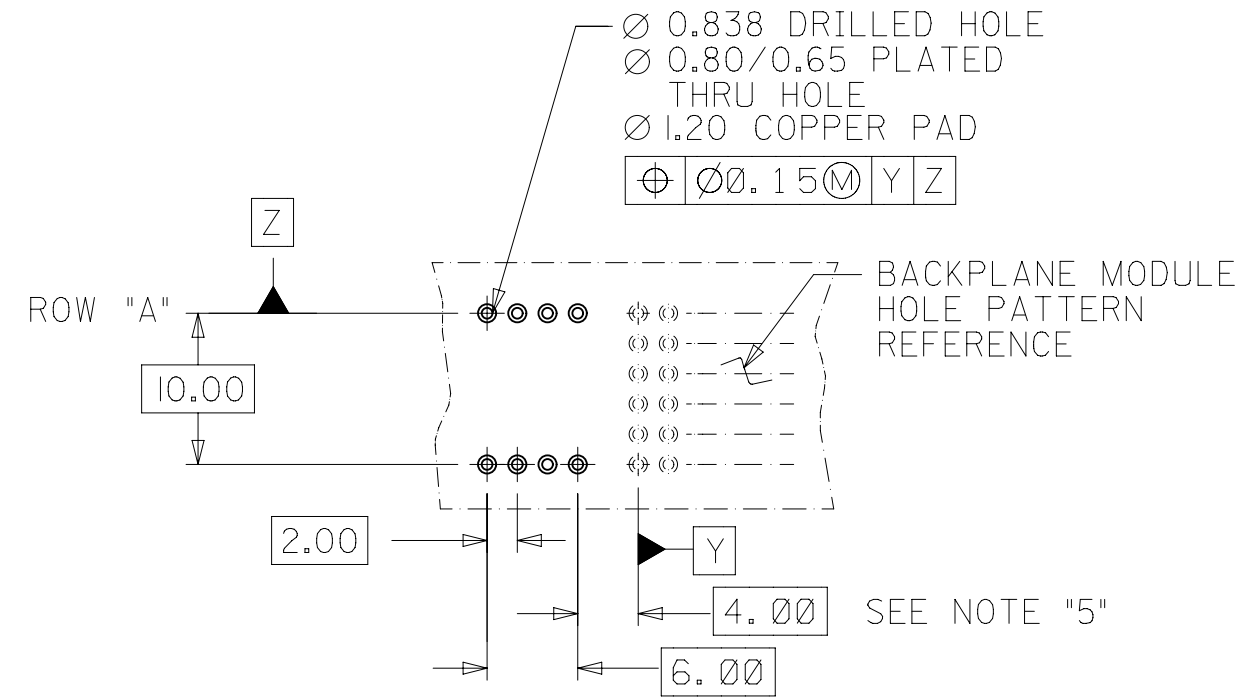
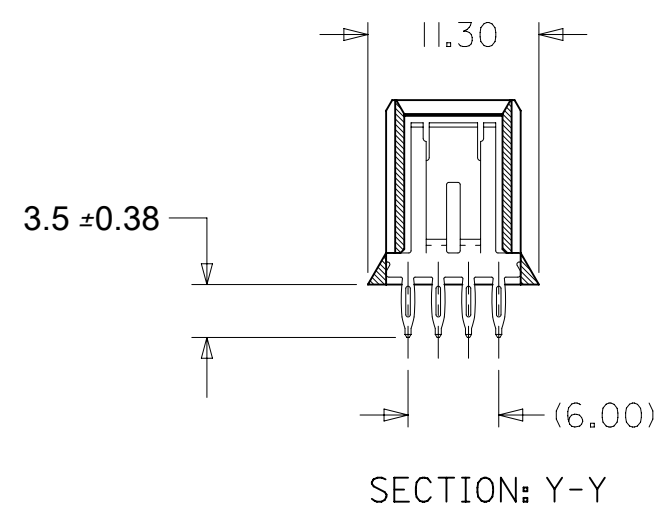
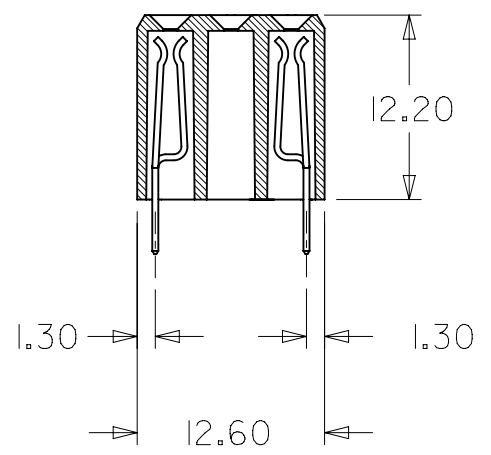
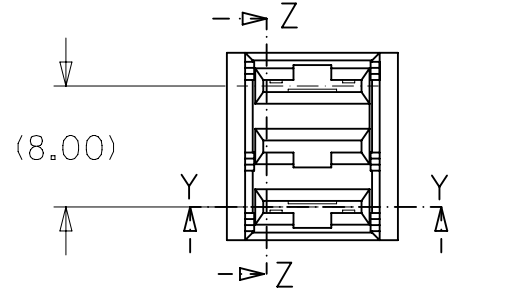
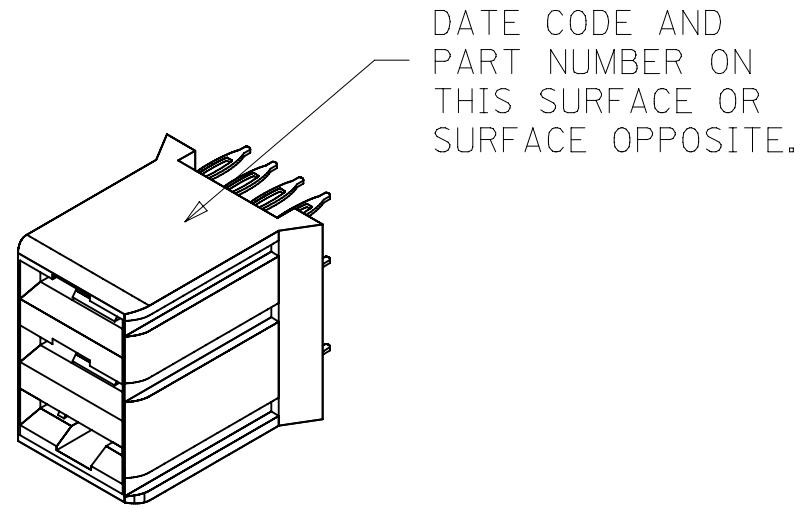
SYMBOLS	THIS DRAWING CONTAINS INFORMATION THAT IS PROPRIETARY TO MOLEX ELECTRONIC TECHNOLOGIES, LLC AND SHOULD NOT BE USED WITHOUT WRITTEN PERMISSION		
	DIMENSION UNITS	SCALE	CURRENT REV DESC:
▽ = 0	mm	2:1	EC NO: 607574 DRWN: DMORGAN 2018/11/13 CHK'D: TELO 2018/11/15 APPR: TELO 2018/11/15
▽ = 0	GENERAL TOLERANCES (UNLESS SPECIFIED)		
▽ = 0	ANGULAR TOL ± 0.5°		INITIAL REVISION: DRWN: TELO 1998/05/21 APPR: CBIXLER 2000/06/13
▽ = 0	4 PLACES	±	
▽ = 0	3 PLACES	±	DOCUMENT NUMBER: SDA-73656-X00X DOC TYPE: PSD DOC PART: 001 REVISION: J
▽ = 0	2 PLACES	± 0.13	
▽ = 0	1 PLACE	± 0.25	MATERIAL NUMBER: SEE TABLES CUSTOMER: GENERAL MARKET SHEET NUMBER: 3 OF 4
▽ = 0	0 PLACES	±	
▽ = 0	DRAFT WHERE APPLICABLE MUST REMAIN WITHIN DIMENSIONS		THIRD ANGLE PROJECTION DRAWING SERIES: 73656

molex

SALES ASSY , HDM
BACKPLANE POWER MODULE (PRESSFIT)

PRODUCT CUSTOMER DRAWING

ASSEMBLY NUMBER	FINISH
73656-0180	SEE NOTE 2.
73656-0181	SEE NOTE 3.



SYMBOLS		THIS DRAWING CONTAINS INFORMATION THAT IS PROPRIETARY TO MOLEX ELECTRONIC TECHNOLOGIES, LLC AND SHOULD NOT BE USED WITHOUT WRITTEN PERMISSION	
DIMENSION UNITS	SCALE	CURRENT REV DESC:	
▽ = 0	mm	2:1	
▽ = 0	GENERAL TOLERANCES (UNLESS SPECIFIED)		
▽ = 0	ANGULAR TOL	± 0.5°	
▽ = 0	4 PLACES	±	
▽ = 0	3 PLACES	±	
▽ = 0	2 PLACES	± 0.13	
▽ = 0	1 PLACE	± 0.25	
▽ = 0	0 PLACES	±	
■ = 0	DRAFT WHERE APPLICABLE MUST REMAIN WITHIN DIMENSIONS		
▽ = 0	THIRD ANGLE PROJECTION	DRAWING	SERIES
		B-SIZE	73656
		EC NO: 607574	2018/11/13
		DRWN: DMORGAN	2018/11/15
		CHK'D: TELO	2018/11/15
		APPR: TELO	2018/11/15
		INITIAL REVISION:	
		DRWN: TELO	1998/05/21
		APPR: CBIXLER	2000/06/13
		DOCUMENT NUMBER	DOC TYPE DOC PART REVISION
		SDA-73656-X00X	PSD 001 J
		MATERIAL NUMBER	CUSTOMER
		SEE TABLES	GENERAL MARKET
			SHEET NUMBER
			4 OF 4

DOCUMENT STATUS	P1	RELEASE DATE	2018/11/15	03:28:27
-----------------	----	--------------	------------	----------