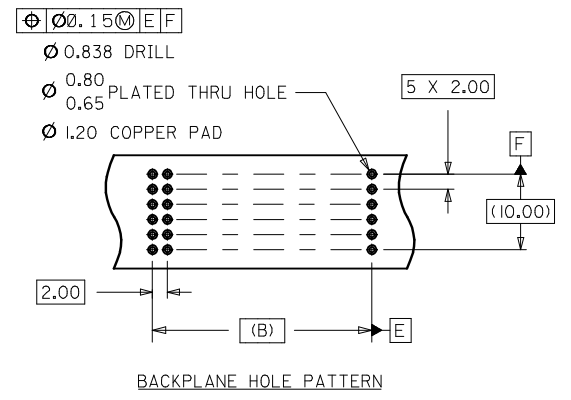
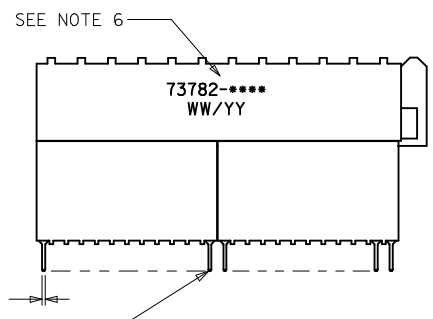
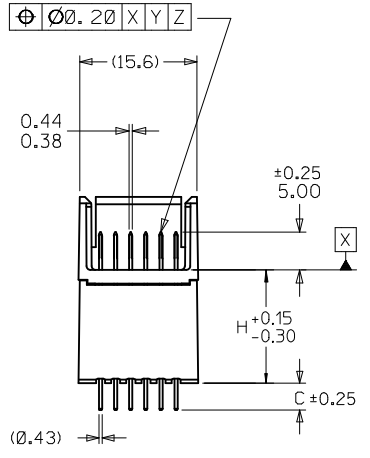
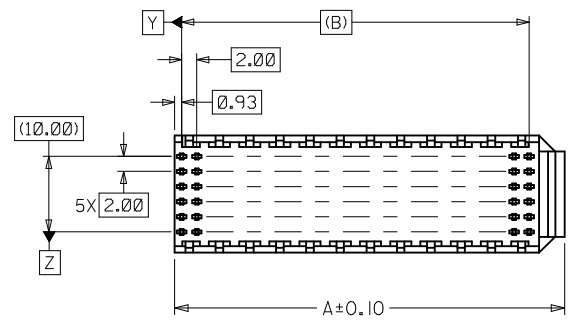


- NOTES:**
1. MATERIALS: HOUSING-LIQUID CRYSTAL POLYMER (LCP), GLASS-FILLED, UL94V-0, COLOR: BLACK. TERMINAL-PHOSPHOR BRONZE
 2. FINISH: 0.75 MICROMETERS MINIMUM SELECTIVE GOLD IN MATING AREA 2.50 MICROMETERS MINIMUM SELECTIVE TIN IN TAIL AREA NICKEL UNDERPLATE OVERALL.
 3. THIS PART CONFORMS TO MOLEX PRODUCT SPECIFICATION PS-73780-999.
 4. THIS PART CONFORMS TO MOLEX COSMETIC SPECIFICATION PS-45499-002 CLASS C.
 5. SEE TABLE ON SHEET 2 FOR PACKAGING SPECIFICATION.
 6. PARTS MARKED WITH PART NUMBER AND DATE CODE APPROXIMATELY WHERE SHOWN.



⊕ Ø0.150 X Y Z

CHG PKG FOR 45mm EC NO: UCP2013-0087 DRWING:MORGAN 2012/08/28 CHKD:BBARKER 2012/08/28 APPR:SMILLER 2012/09/18	QUALITY SYMBOLS ▽=0 ▽=0 ▽=0	GENERAL TOLERANCES (UNLESS SPECIFIED) mm INCH 4 PLACES ± --- ± --- 3 PLACES ± --- ± --- 2 PLACES ± 0.05 ± --- 1 PLACE ± 0.10 ± --- 0 PLACE ± --- ± ---	DIMENSION STYLE MM ONLY DRAWN BY DATE JB INGHAM 1997/04/25 CHECKED BY DATE SREED 1997/04/25 APPROVED BY DATE CB IXLER 1997/04/25	SCALE 2:1 DESIGN UNITS METRIC THIRD ANGLE PROJECTION	TITLE SALES ASSEMBLY, HDM BACKPLANE STACKING MOD CLOSED END SOLDER molex	MATERIAL NO. SEE SHEET 2 DOCUMENT NO. SD-73782-001 SHEET NO. 1 OF 2
	ANGLAR ±1/2° DRAFT WHERE APPLICABLE MUST REMAIN WITHIN DIMENSIONS	SIZE C	THIS DRAWING CONTAINS INFORMATION THAT IS PROPRIETARY TO MOLEX INCORPORATED AND SHOULD NOT BE USED WITHOUT WRITTEN PERMISSION			

MATERIAL NUMBER ASSIGNMENT

73782-* * 0 0

NUMBER	CIRCUIT SIZE	DIM "A"	DIM "B"	DIM "C"
0	72	27.6	22.00	2.0
1	144	51.6	46.00	2.0
2	72	27.6	22.00	2.5
3	144	51.6	46.00	2.5
4	72	27.6	22.00	3.0
5	144	51.6	46.00	3.0
6	72	27.6	22.00	3.5
7	144	51.6	46.00	3.5

NUMBER	DIM "H"	PACKAGING SPECIFICATION
1	15.05	PK-70873-1873
2	6.05	PK-70873-0875
3	10.05	PK-70873-0871

SEE SHEET 1 EC NO: UCP2013-0087 DRWN:DMORGAN 2012/08/28 CHKD:BBARKER 2012/08/28 APPR:SMILLER 2012/09/18	QUALITY SYMBOLS ▽=0 ▽=0 ▽=0	GENERAL TOLERANCES (UNLESS SPECIFIED)		DIMENSION STYLE MM ONLY	SCALE 1:1	DESIGN UNITS METRIC	THIRD ANGLE PROJECTION																			
				<table border="1" style="width: 100%; border-collapse: collapse;"> <tr> <th></th> <th>mm</th> <th>INCH</th> </tr> <tr> <td>4 PLACES</td> <td>± ---</td> <td>± ---</td> </tr> <tr> <td>3 PLACES</td> <td>± ---</td> <td>± ---</td> </tr> <tr> <td>2 PLACES</td> <td>± 0.05</td> <td>± ---</td> </tr> <tr> <td>1 PLACE</td> <td>± 0.10</td> <td>± ---</td> </tr> <tr> <td>0 PLACE</td> <td>± ---</td> <td>± ---</td> </tr> </table>		mm	INCH	4 PLACES	± ---	± ---	3 PLACES	± ---	± ---	2 PLACES	± 0.05	± ---	1 PLACE	± 0.10	± ---	0 PLACE	± ---	± ---	DRAWN BY DATE JB INGHAM 1997/04/25	TITLE SALES ASSEMBLY, HDM BACKPLANE STACKING MOD CLOSED END SOLDER		
			mm	INCH																						
		4 PLACES	± ---	± ---																						
3 PLACES	± ---	± ---																								
2 PLACES	± 0.05	± ---																								
1 PLACE	± 0.10	± ---																								
0 PLACE	± ---	± ---																								
		CHECKED BY DATE SREED 1997/04/25																								
		APPROVED BY DATE CBIXLER 1997/04/25		molex																						
		ANGULAR ±1/2° DRAFT WHERE APPLICABLE MUST REMAIN WITHIN DIMENSIONS		MATERIAL NO. SEE TABLE		DOCUMENT NO. SD-73782-001																				
				SHEET NO. 2 OF 2																						

73782-* * 0 0

MATERIAL NUMBER ASSIGNMENT

NUMBER	CIRCUIT SIZE	DIM "A"	DIM "B"	DIM "C"
0	72	27.6	22.00	2.0
1	144	51.6	46.00	2.0
2	72	27.6	22.00	2.5
3	144	51.6	46.00	2.5
4	72	27.6	22.00	3.0
5	144	51.6	46.00	3.0
6	72	27.6	22.00	3.5
7	144	51.6	46.00	3.5

NUMBER	DIM "H"
1	15.05
2	6.05
3	10.05

SEE SHEET 1 EC No. UDT2000-1073 DRWN:JBINGHAM 00/05/08 CHK: REED 00/05/08 APPR:CBIXLER 00/05/08	DESCRIPTION MAJOR = 0 CRITICAL = 0	GENERAL TOLERANCES: (UNLESS SPECIFIED)	SCALE NO: NE	DESIGN UNITS <input checked="" type="checkbox"/> mm <input type="checkbox"/> INCH	DIMENSIONS: <input type="checkbox"/> mm INCH <input type="checkbox"/> INCH mm <input checked="" type="checkbox"/> mm ONLY	THIRD ANGLE PROJECTION	SHT REV
		DRAWN BY & DATE JBINGHAM 97/04/25	TITLE: SALES ASSEMBLY HDM BACKPLANE STACKING MODULE CLOSED END OPTION SOLDER TAIL		MOLEX INCORPORATED		
		CHECKED BY & DATE SREED 97/04/25	APPROVED BY & DATE CBIXLER 97/04/25		MATERIAL NO. SEE CHART	DRAWING NO. SD-73782-001	SHEET NO. 2
		4 PLACES ±0. ±.	3 PLACES ±0. ±.	2 PLACES ±0.N/A ±.	1 PLACE ±0.NA/ ±.	CAD FILENAME S73782X2.DGN	