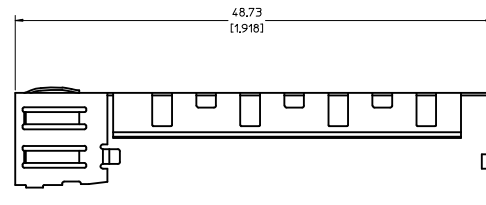
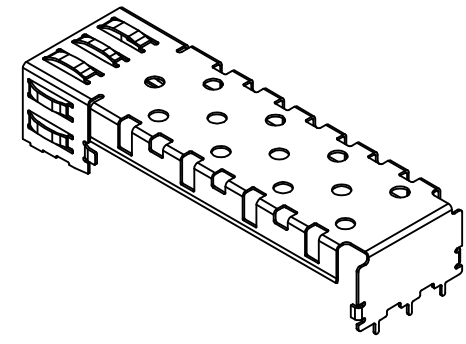
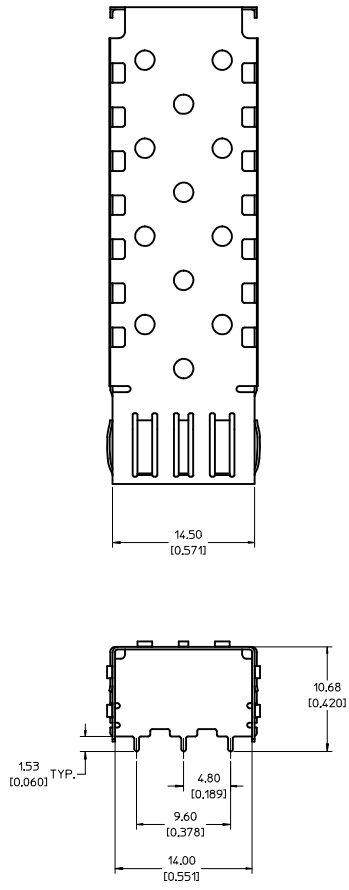


NOTES:

1. MATERIAL: COPPER ALLOY
2. PLATING: BRIGHT TIN
2.54 MICROMETERS TIN (MIN)
OVER 0.76 MICROMETERS (MIN) NICKEL
3. FOR DETAILS OF PCB AND BEZEL LAYOUT REFER TO DOCUMENT SD-73927-100.
4. THIS PRODUCT NOT INTENDED FOR LEAD FREE, (RoHS), REFLOW PROCESS.
REFLOW TEMPERATURE SHOULD NOT EXCEED 180°C
5. FOR RoHS COMPLIANT REPLACEMENTS REFER TO MOLEX SERIES 74737.

ENTER DESCRIPTION EC NO: UST2006-0264 DRAWN BY: DRWNSKIMONSON 2006/07/03 CHECKED BY: CHFKBRUSSELL 2006/07/06 APPR: BRUSSELL 2006/07/24	QUALITY SYMBOLS	GENERAL TOLERANCES (UNLESS SPECIFIED)		DIMENSION STYLE		SCALE	DESIGN UNITS	THIRD ANGLE PROJECTION	
	$\nabla=0$ $\nabla=0$	mm	INCH	MM/IN		4:1	METRIC		
		4 PLACES ± --- ± ---	3 PLACES ± --- ± .005	2 PLACES ± 0.13 ± .01	1 PLACE ± 0.25 ± ---	DRAWN BY: KS IMONSON 2005/10/12 CHECKED BY: BRUSSELL 2005/10/12 APPROVED BY: BRUSSELL 2005/10/12	TITLE: SFP CAGE COVER		
		ANGULAR ± 1 °		MATERIAL NO: 739270020		DOCUMENT NO: SD-73927-0020		SHEET NO: 1 OF 1	
	DRAFT WHERE APPLICABLE MUST REMAIN WITHIN DIMENSIONS			THIS DRAWING CONTAINS INFORMATION THAT IS PROPRIETARY TO MOLEX INCORPORATED AND SHOULD NOT BE USED WITHOUT WRITTEN PERMISSION					



NOTES:

1. MATERIAL: COPPER ALLOY
2. PLATING: BRIGHT TIN
2.54 MICROMETERS TIN (MIN)
OVER 0.76 MICROMETERS (MIN) NICKEL
3. FOR DETAILS OF PCB AND BEZEL LAYOUT REFER
TO DOCUMENT SD-73927-100.
4. THIS PRODUCT NOT INTENDED FOR LEAD FREE, REFLOW PROCESS.
REFLOW TEMPERATURE SHOULD NOT EXCEED 180°C. FOR
REFLOW PROCESSES GREATER THAN 180°C, REFER TO MOLEX
SERIES 74737.

ENTER DESCRIPTION IEC NO: 2006/07/29 DRAWN: COX CHKD: 2006/08/07 APPR: BRUSSELL 2006/08/15 REV: DESCRIPTION	QUALITY SYMBOLS	GENERAL TOLERANCES (UNLESS SPECIFIED)	DIMENSION STYLE	SCALE	DESIGN UNITS	THIRD ANGLE PROJECTION	
	▽=0 ▽=0	mm INCH 4 PLACES ± --- ± --- 3 PLACES ± --- ± .005 2 PLACES ± 0.13 ± .01 1 PLACE ± 0.25 ± --- ANGULAR ± 1 °	MM/IN 4:1	DRAWN BY DATE KS IMONSON 2005/10/12 CHECKED BY DATE BRUSSELL 2005/10/12 APPROVED BY DATE BRUSSELL 2005/10/12	TITLE SFP CAGE COVER	MOLEX MOLEX INCORPORATED	
	DRAFT WHERE APPLICABLE MUST REMAIN WITHIN DIMENSIONS	MATERIAL NO: 739270020	DOCUMENT NO: SD-73927-020	THIS DRAWING CONTAINS INFORMATION THAT IS PROPRIETARY TO MOLEX INCORPORATED AND SHOULD NOT BE USED WITHOUT WRITTEN PERMISSION			
	SIZE D	SHEET NO. 1 OF 1					