

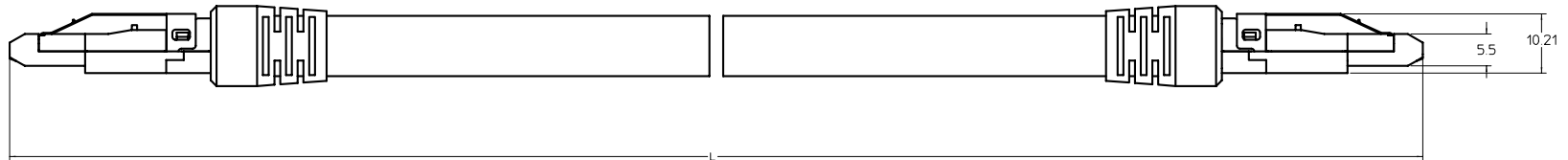
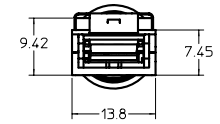
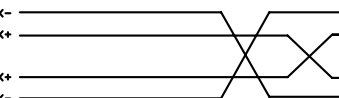
WIRING DIAGRAM

P1 END

PIN	SIGNAL
1	G
2	Rx-
3	Rx+
4	G
5	Tx+
6	Tx-
7	G

P2 END

PIN	SIGNAL
1	G
2	Rx-
3	Rx+
4	G
5	Tx+
6	Tx-
7	G



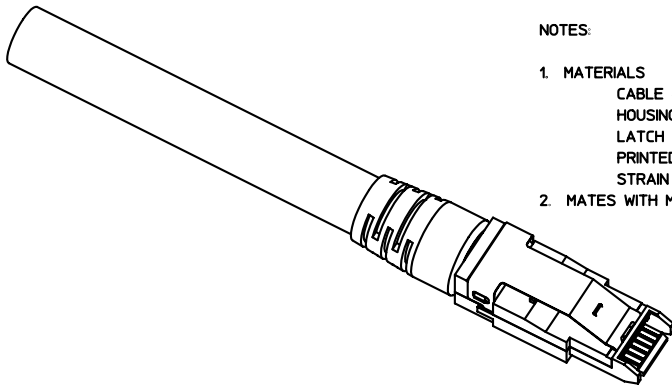
NOTES:

1. MATERIALS

- CABLE - FULLY SHIELDED PER 71153-\*\*\*\*\*
- HOUSING - ZINC ALLOY, PLATED BRIGHT TIN
- LATCH - PHOSPHOR BRONZE, PLATED BRIGHT TIN
- PRINTED CIRCUIT BOARD - FR4
- STRAIN RELIEF - THERMOPLASTIC BLACK MOLDING COMPOUND, FLEXIBLE

2. MATES WITH MOLEX SERIES 74703 RECEPTACLE

PART NUMBER	"L"
73939-1001	5 M +/- .03 M
73939-1002	1 M +/- .03 M
73939-1003	2 M +/- .03 M
73939-1004	3 M +/- .03 M
73939-1005	5 M +/- .05 M
73939-1006	10 M +/- .05 M



UDT 2001-0468

DLD  
DLD

X  
DSL 00/10/26  
DLD 00/10/26  
DLD 00/10/26

X