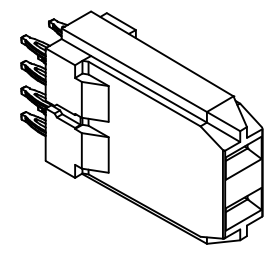
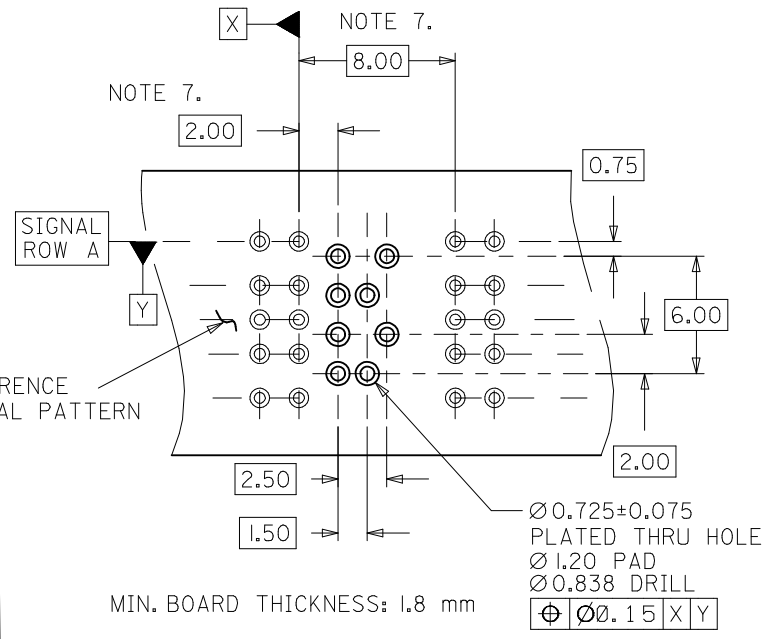
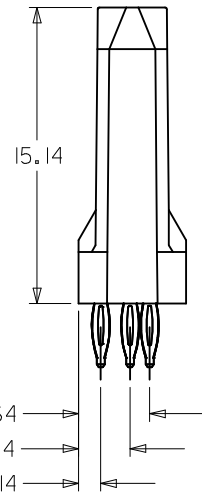
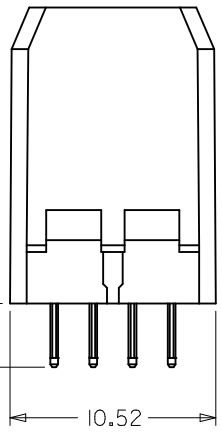
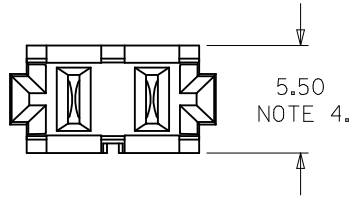
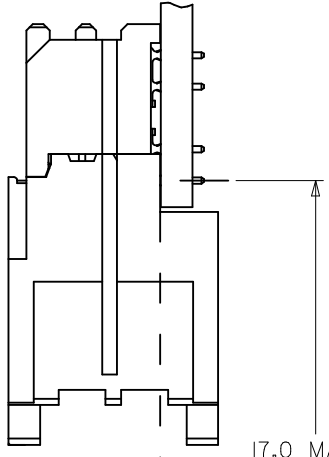


10 9 8 7 6 5 4 3 2 1

ASSEMBLY #	CONTACT PLATING
74029-6000	SEE NOTE 2.
74029-6050	SEE NOTE 3.



12.44 MAX.  
NOTE 5.  
REF.

THE PRIMARY CARTON WITH A LABEL STATING "ELV AND RoHS COMPLIANT" IS LEAD FREE. CARTONS WITHOUT THIS LABEL MAY CONTAIN LEAD.

- NOTES:**
- MATERIALS:** HOUSING - GLASS FILLED LIQUID CRYSTAL POLYMER, UL 94V-0, BLACK; TERMINAL - COPPER ALLOY.
  - FINISH:** SELECT GOLD IN CONTACT AREA, 30 microINCH THICK; MATTE TIN IN COMPLIANT AREA.
  - FINISH:** SELECT GOLD IN CONTACT AREA, 50 microINCH THICK; MATTE TIN IN COMPLIANT AREA.
  - USE 6.0 mm NOMINAL FOR BACKPLANE LAYOUT.
  - DIMENSION IS MEASURED FROM BOTTOM OF HOUSING.
  - PACKED PER PK-70873-0876.
  - THIS DIMENSION TO BE MULTIPLE OF 2.00 mm AS REQUIRED.

LEAD FREE CONVERSION	EC NO:	DRAWN BY	CHKD:	APPR:	DESCRIPTION	QUALITY SYMBOLS	GENERAL TOLERANCES (UNLESS SPECIFIED)		DIMENSION STYLE		SCALE	DESIGN UNITS	THIRD ANGLE PROJECTION
							mm	INCH	MM ONLY	MM ONLY			
		DRWH/RWHIPPLE	2012/12/07	2012/12/07		▽=0	4 PLACES	±---	±---	DRAWN BY	DATE	TITLE	
		CHKD:MWOLFE	2012/12/07	2012/12/10		▽=0	3 PLACES	±---	±---	CHECKED BY	DATE		
		APPR:SMILLER	2012/12/17	2012/12/17		▽=0	2 PLACES	±---	±---	APPROVED BY	DATE		
							1 PLACE	±---	±---	SMILLER	2012/12/17		
							0 PLACE	±---	±---				
							ANGULAR ±1/2°		MATERIAL NO.		DOCUMENT NO.		SHEET NO.
							DRAFT WHERE APPLICABLE MUST REMAIN WITHIN DIMENSIONS		SEE CHART		SD-74029-006		1 OF 1
							THIS DRAWING CONTAINS INFORMATION THAT IS PROPRIETARY TO MOLEX INCORPORATED AND SHOULD NOT BE USED WITHOUT WRITTEN PERMISSION						

9 8 7 6 5 4 3 2 1

10 9 8 7 6 5 4 3 2 1

NOTES:

1. MATERIALS:

HOUSING - LIQUID CRYSTAL POLYMER (LCP),  
UL94 V-0, COLOR: BLACK.

TERMINAL - COPPER ALLOY

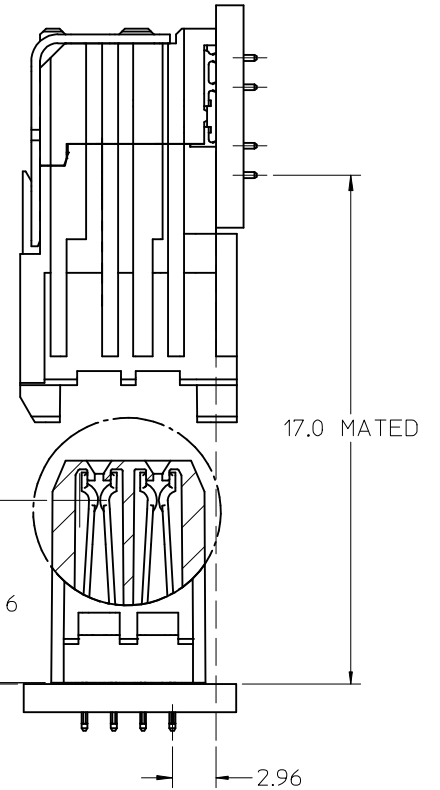
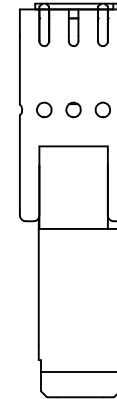
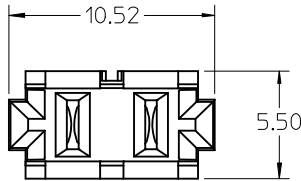
2. FINISH: SELECTIVE GOLD ON MATING SURFACE,  
MATTE TIN ON TAILS; NICKEL UNDERPLATE.

3. THIS PART CONFORMS TO PRODUCT SPECIFICATION  
PS-74031-999.

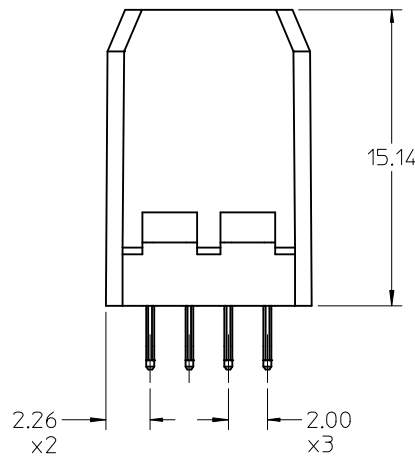
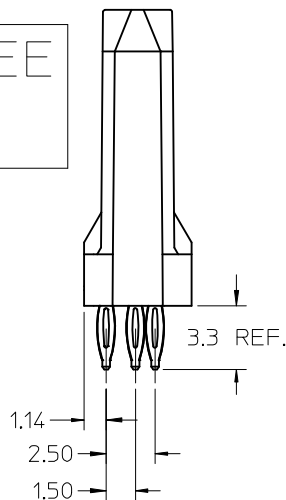
4. SINGLE ROW ASSEMBLY PACKAGED PER PK-70873-0876.

5. MATES WITH 74026 SERIES DAUGHTERCARD POWER ASSEMBLY.

6. MATING INTERFACE MEASURED FROM BOTTOM OF HOUSING.



LEAD-FREE  
PLATING



MOLEX P/N	GOLD THICKNESS (MINIMUM)	TAIL PLATING
74029-6000	30 MICROINCHES	MATTE TIN
74029-6050	50 MICROINCHES	

ADD LEADED P/N	EC NO: UCP2013-0146	2012/07/12
DRM:SVANG01	CHKD:WOLFE	2012/07/12
APPR:SMILLER		2012/08/06

REV	DESCRIPTION	QUALITY SYMBOLS
F		$\nabla = 0$
E		$\nabla = 0$
D		$\nabla = 0$

GENERAL TOLERANCES (UNLESS SPECIFIED)	
mm	INCH
4 PLACES	$\pm$ ---
3 PLACES	$\pm$ ---
2 PLACES	$\pm 0.25$
1 PLACE	$\pm 0.38$
0 PLACE	$\pm$
ANGULAR $\pm 1/2^\circ$	
DRAFT WHERE APPLICABLE MUST REMAIN WITHIN DIMENSIONS	

DIMENSION STYLE	
MM ONLY	
DRAWN BY	DATE
ELO	2003/07/14
CHECKED BY	DATE
STANFORD	2003/07/17
APPROVED BY	DATE
BIXLER	2003/07/21
MATERIAL NO.	
SEE TABLE	

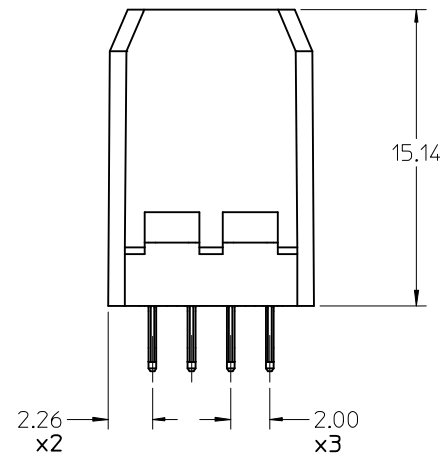
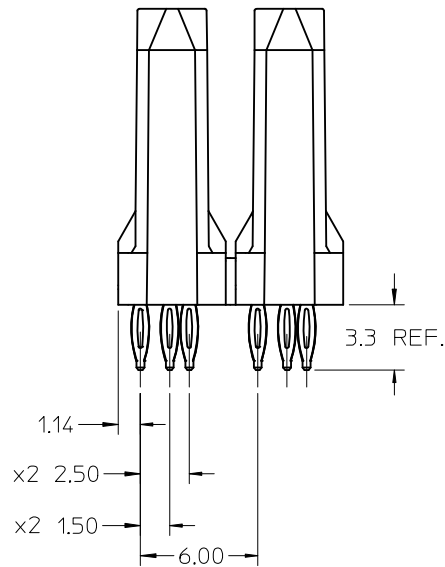
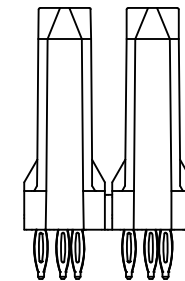
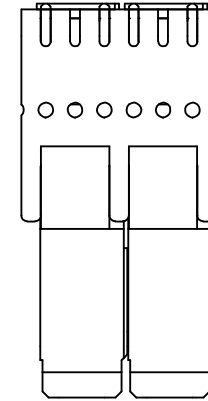
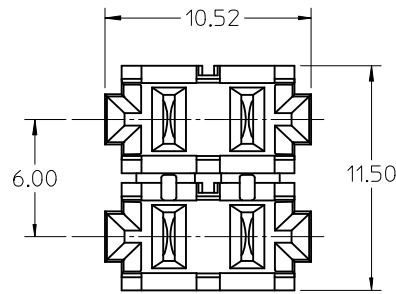
SCALE	DESIGN UNITS	THIRD ANGLE PROJECTION
4:1	METRIC	
TITLE		
VHDM/HSD POWER 6 ROW BACKPLANE SALES DRAWING		
<b>molex</b>		
DOCUMENT NO.	SHEET NO.	
SD-74029-011	1 OF 3	

9 8 7 6 5 4 3 2 1

10 9 8 7 6 5 4 3 2 1

NOTES:

1. THIS DESIGN INTENDED AS OPTION TO HAVING TWO SINGLE ROW MODULES NEXT TO EACH OTHER.
2. FINISH: SELECTIVE GOLD ON MATING SURFACE; TIN/LEAD OR MATTE TIN ON TAILS; NICKEL UNDERPLATE.
3. DUAL ROW ASSEMBLIES PACKED PER PK-70873-545.



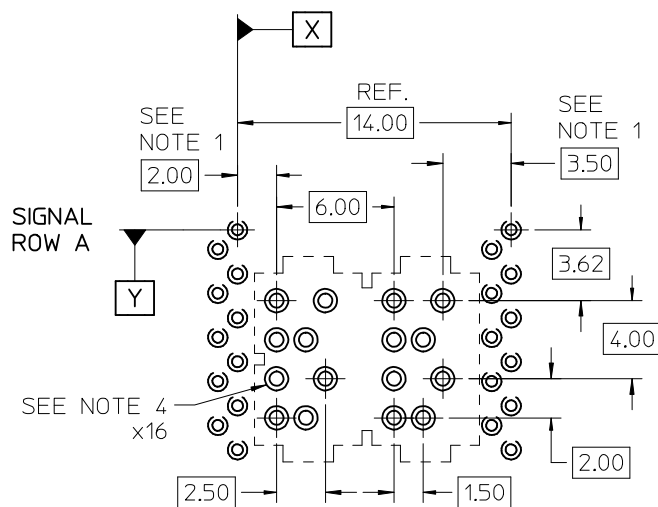
DUAL ROW ASSEMBLY

MOLEX P/N	GOLD THICKNESS (MINIMUM)	TAIL PLATING
74029-6002	30 MICROINCHES	MATTE TIN
74029-6052	50 MICROINCHES	
74029-6902	30 MICROINCHES	TIN/LEAD
74029-6952	50 MICROINCHES	

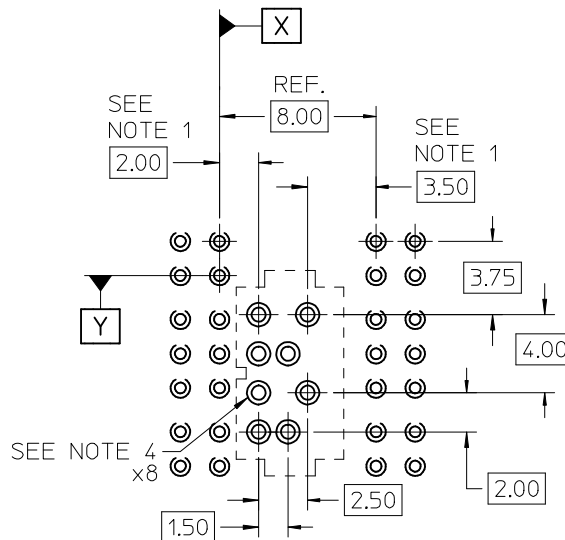
SEE SHEET 1 EC NO: UCP2013-0146 DRWN:SVANG01 2012/07/12 CHKD:MWOLF 2012/07/12 APPR:SMILLER 2012/08/06	QUALITY SYMBOLS	GENERAL TOLERANCES (UNLESS SPECIFIED)	DIMENSION STYLE	SCALE	DESIGN UNITS	THIRD ANGLE PROJECTION
	∇=0 ∇=0 ∇=0	mm INCH 4 PLACES ± --- ± --- 3 PLACES ± --- ± --- 2 PLACES ± 0.25 ± --- 1 PLACE ± 0.38 ± --- 0 PLACE ± ±	MM ONLY	4:1	METRIC	DRAWN BY DATE ELO 2003/07/14 CHECKED BY DATE STANFORD 2003/07/17 APPROVED BY DATE BIXLER 2003/07/21
		ANGULAR ±1/2°	SEE TABLE	TITLE	VHDM/HSD POWER 6 ROW BACKPLANE SALES DRAWING <b>molex</b>	
		DRAFT WHERE APPLICABLE MUST REMAIN WITHIN DIMENSIONS	SEE TABLE	DOCUMENT NO.		SHEET NO.
REV		DESCRIPTION	THIS DRAWING CONTAINS INFORMATION THAT IS PROPRIETARY TO MOLEX INCORPORATED AND SHOULD NOT BE USED WITHOUT WRITTEN PERMISSION			

9 8 7 6 5 4 3 2 1

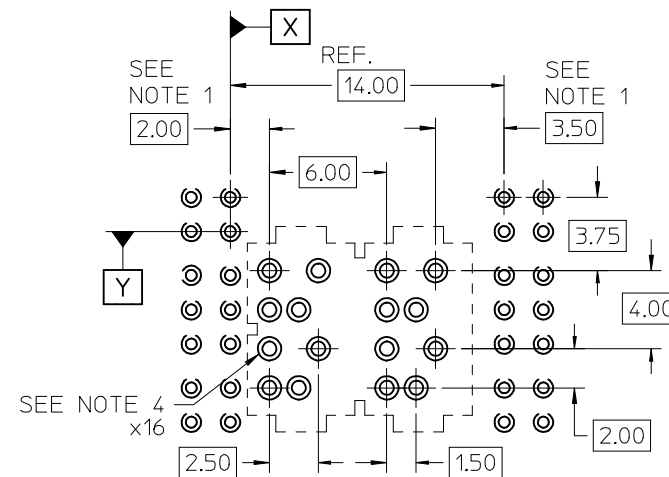
# BOARD LAYOUTS: 1.8 mm MIN. BOARD THICKNESS



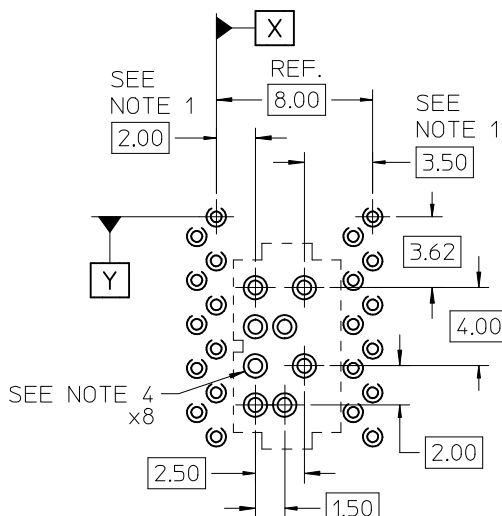
VHDM DUAL ROW POWER



VHDM-HSD SINGLE ROW POWER



VHDM-HSD DUAL ROW POWER

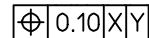


VHDM SINGLE ROW POWER

**NOTES:**

1. ADDITIONAL SPACING CAN BE ADDED IN MULTIPLES OF 2.0 mm AS REQUIRED. FOR EACH ADDITIONAL SINGLE ROW POWER, ADD 6.00 mm.
2. SIGNAL ROW A IS IN LINE WITH DATUM Y IN ALL FOUR LAYOUTS.
3. FOUR HOLES ARE USED PER POWER CONTACT.
4. EACH POWER HOLE TO BE MANUFACTURED AS FOLLOWS:

- Ø0.725±0.075 PLATED THROUGH HOLE
- Ø1.20 PAD
- Ø0.838 DRILL



<b>SEE SHEET 1</b> EC NO: UCP2013-0146 IDRW: SVANG01 2012/07/12 CHKD: MWOLF 2012/07/12 APPR: SMILLER 2012/08/06	QUALITY SYMBOLS $\nabla Z=0$ $\nabla Z=0$ $\nabla Z=0$	GENERAL TOLERANCES (UNLESS SPECIFIED)		DIMENSION STYLE <b>MM ONLY</b>		SCALE 4:1	DESIGN UNITS METRIC	THIRD ANGLE PROJECTION	
		mm	INCH	DRAWN BY ELO	DATE 2003/07/14	TITLE <b>VHDM/HSD POWER 6 ROW BACKPLANE SALES DRAWING</b>			
		4 PLACES ± --- ± ---	3 PLACES ± --- ± ---	CHECKED BY STANFORD	DATE 2003/07/17				
		2 PLACES ± 0.25 ± ---	1 PLACE ± 0.38 ± ---	APPROVED BY BIXLER	DATE 2003/07/21	DOCUMENT NO. <b>SD-74029-011</b>			
0 PLACE ± ±	ANGULAR ±1/2°	MATERIAL NO. <b>SEE TABLE</b>		SHEET NO. 3 OF 3					
DRAFT WHERE APPLICABLE MUST REMAIN WITHIN DIMENSIONS		SIZE B	THIS DRAWING CONTAINS INFORMATION THAT IS PROPRIETARY TO MOLEX INCORPORATED AND SHOULD NOT BE USED WITHOUT WRITTEN PERMISSION						