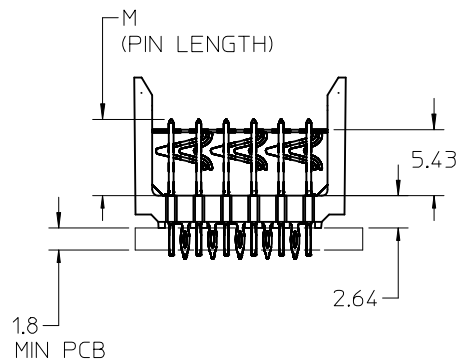
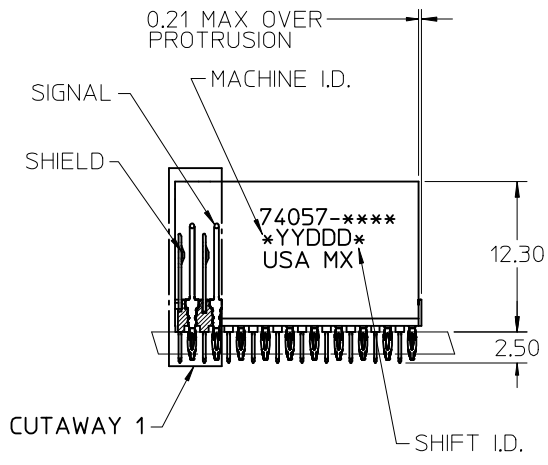


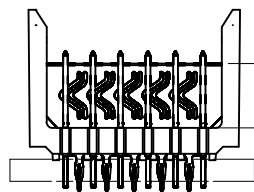
BACKPLANE HOLE PATTERN  
RECOMMENDED DIMENSION

THE PRIMARY CARTON WITH A LABEL STATING "ELV AND RoHS COMPLIANT" IS LEAD FREE. CARTONS WITHOUT THIS LABEL MAY CONTAIN LEAD.

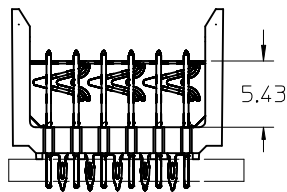


NOTES:

- MATERIAL: HOUSING -LIQUID CRYSTAL POLYMER (LCP), GLASS-FILLED, UL 94 V-0. COLOR BLACK. SIGNAL & SHIELD -COPPER ALLOY.
- FINISHES:  
CONTACT AREA: SELECTIVE GOLD (Au) 0.25 (MAPS), 0.76, OR 1.27 micrometer THICKNESS  
PCB TAILS: SELECTIVE MATTE TIN (Sn) NICKEL (Ni) OVERALL.
- THIS PART CONFORMS TO MOLEX PRODUCT SPECIFICATION PS-74031-999.
- FOR MIXED CONTACT MATING LENGTHS CONSULT MOLEX FOR AVAILABILITY.
- FOR SPECIFIC PART NUMBER AND MATING INFORMATION REFER TO SHEET 2.
- PACKAGE PER: PK-74057-003.
- EITHER MARK PART NUMBER AND DATE CODE APPROXIMATELY WHERE SHOWN OR PLACE LABEL ON THE TUBE.
- MAPS (MOLEX ADVANCED PLATING SYSTEM).



STANDARD

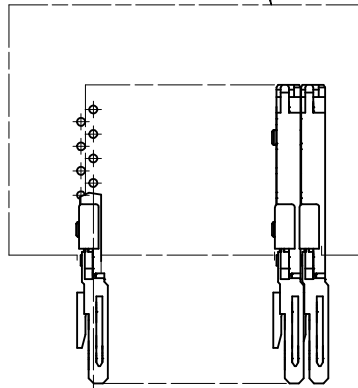


ADVANCE MATE

LEAD FREE CONVERSION EC NO: UCP2013-0687 DIR: WNR/WHIPPLE 2012/11/19 CHKD: MWOLFE 2012/11/19 APPR: SMILLER 2012/12/14	QUALITY SYMBOLS ▽E=0 ▽E=0 ▽E=0	GENERAL TOLERANCES (UNLESS SPECIFIED)		DIMENSION STYLE MM ONLY		SCALE 2.5:1	DESIGN UNITS METRIC	THIRD ANGLE PROJECTION	
		mm	INCH	DRAWN BY MOWANG	DATE 2001/08/20	TITLE	VHDM 6 ROW ADVANCE MATE OPEN END BACKPLANE SALES DRAWING		
		4 PLACES	± ---	± ---	CHECKED BY JLAURX	DATE 2001/08/22	DOCUMENT NO. SD-74057-003		
		3 PLACES	± ---	± ---	APPROVED BY CBIXLER	DATE 2001/08/22			
		2 PLACES	± 0.25	± ---	MATERIAL NO. SEE TABLE				
		1 PLACE	± 0.38	± ---					
		0 PLACE	±	±	THIS DRAWING CONTAINS INFORMATION THAT IS PROPRIETARY TO MOLEX INCORPORATED AND SHOULD NOT BE USED WITHOUT WRITTEN PERMISSION				
		ANGULAR ±1/2° DRAFT WHERE APPLICABLE MUST REMAIN WITHIN DIMENSIONS							

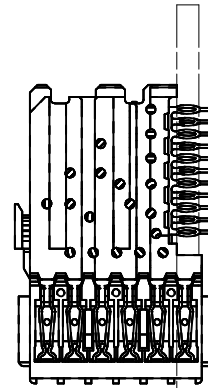
10 9 8 7 6 5 4 3 2 1

DAUGHTERCARD  
CONNECTOR SIDE

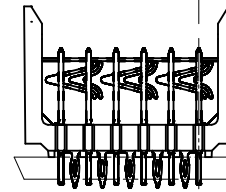
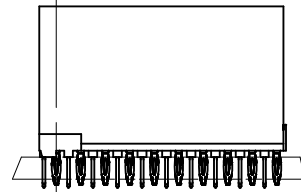


0.41 OFFSET  
SIGNAL TO  
SIGNAL

0.66  
TOP DAUGHTERCARD  
PCB TO CENTER  
OF ROW A



ROW A



SEE SHEET 1 EC NO: UCP2013-0687 TDRWN:RWHIPPLE 2012/11/19 CHKD:MWOLFE 2012/11/19 APPR:SMILLER 2012/12/14	QUALITY SYMBOLS ▽=0 ▽=0 ▽=0	GENERAL TOLERANCES (UNLESS SPECIFIED)		DIMENSION STYLE MM ONLY		SCALE 2.5:1	DESIGN UNITS METRIC	THIRD ANGLE PROJECTION			
				mm	INCH	DRAWN BY	DATE	TITLE VHDM 6 ROW ADVANCE MATE OPEN END BACKPLANE SALES DRAWING <b>molex</b>			
		4 PLACES	± ---	± ---	MOWANG	2001/08/20					
		3 PLACES	± ---	± ---	CHECKED BY	DATE	DOCUMENT NO. SD-74057-003				
2 PLACES	± 0.25	± ---	JLAURX	2001/08/22							
1 PLACE	± 0.38	± ---	APPROVED BY	DATE	SHEET NO. 2 OF 3						
0 PLACE	±	±	CBIXLER	2001/08/22							
DRAFT WHERE APPLICABLE MUST REMAIN WITHIN DIMENSIONS		ANGULAR ±1/2°		MATERIAL NO. SEE TABLE		THIS DRAWING CONTAINS INFORMATION THAT IS PROPRIETARY TO MOLEX INCORPORATED AND SHOULD NOT BE USED WITHOUT WRITTEN PERMISSION					

9 8 7 6 5 4 3 2 1

PART NUMBER	COLUMN	NUMBER OF SIGNAL PIN	NUMBER OF SHIELD	A	B	M	GOLD THICKNESS MICROMETER	TIN THICKNESS MICROMETER
74057-6101	10	60	10	20.00	18.00	4.75	0.25 MAPS	0.76-1.52
74057-*101							0.76	
74057-*106							1.27	
74057-7601	25	150	25	50.00	48.00		0.25 MAPS	
74057-*601							0.76	
74057-*606							1.27	
74057-6102	10	60	10	20.00	18.00	6.25	0.25 MAPS	
74057-*102							0.76	
74057-*107							1.27	
74057-7602	25	150	25	50.00	48.00		0.25 MAPS	
74057-*602							0.76	
74057-*607							1.27	
74057-6103	10	60	10	20.00	18.00	4.25	0.25 MAPS	
74057-*103							0.76	
74057-*108							1.27	
74057-7603	25	150	25	50.00	48.00		0.25 MAPS	
74057-*603							0.76	
74057-*608							1.27	
74057-6104	10	60	10	20.00	18.00	5.15	0.25 MAPS	
74057-*104							0.76	
74057-*109							1.27	
74057-7604	25	150	25	50.00	48.00		0.25 MAPS	
74057-*604							0.76	
74057-*609							1.27	

**MATERIAL NUMBER ASSIGNMENT**

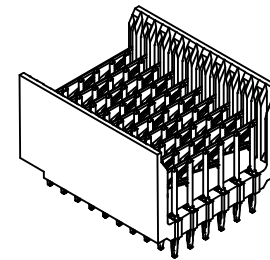
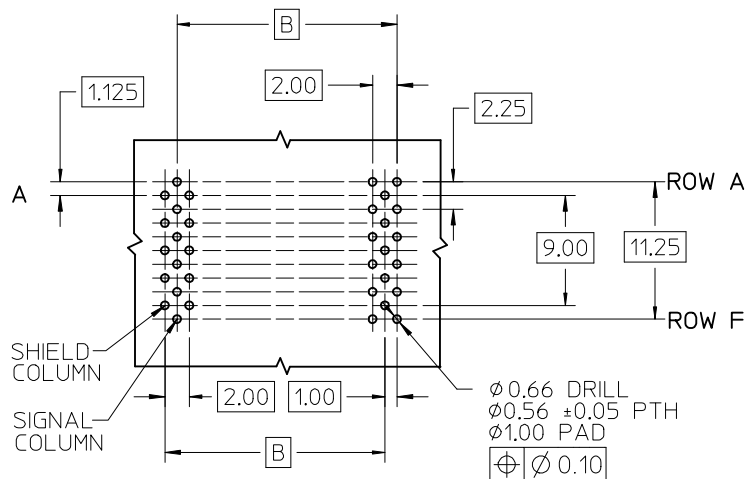
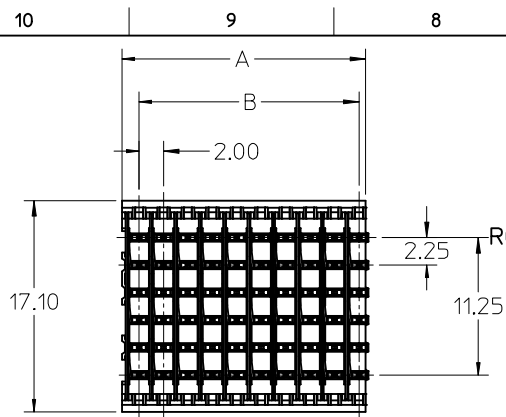
74057-\*\*\*0\*

SEE TABLE

NUMBER OF COLUMNS/PLATING

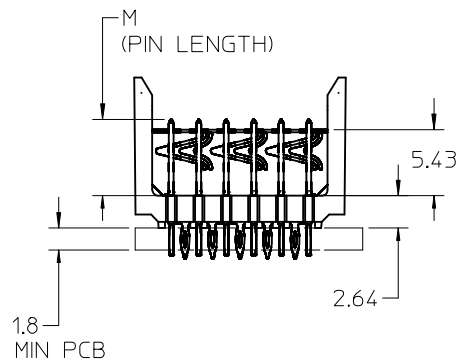
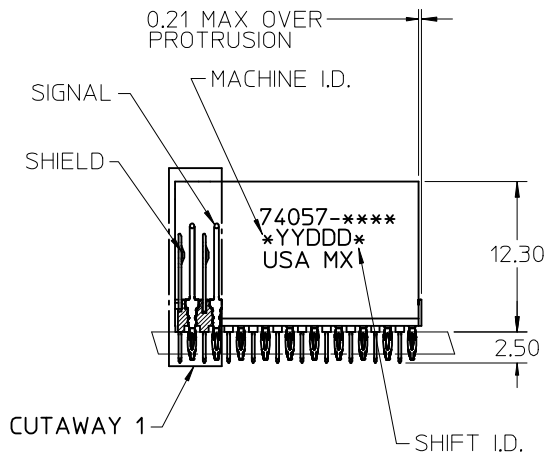
- 11 = 10 COLUMN MATTE TIN (FORMERLY TIN/LEAD)
- 26 = 25 COLUMN MATTE TIN (FORMERLY TIN/LEAD)
- 61 = 10 COLUMN MATTE TIN (MAPS)
- 76 = 25 COLUMN MATTE TIN (MAPS)
- 91 = 10 COLUMN MATTE TIN
- 86 = 25 COLUMN MATTE TIN

SEE SHEET 1 EC NO: UCP2013-0687 TDR:WHRHIPPLE 2012/11/19 CHKD:HWOLFE 2012/11/19 APPR:SMILLER 2012/12/14	QUALITY SYMBOLS	GENERAL TOLERANCES (UNLESS SPECIFIED)	DIMENSION STYLE	SCALE	DESIGN UNITS	THIRD ANGLE PROJECTION
	$\nabla F/0$ $\nabla F/0$ $\nabla F/0$	mm      INCH 4 PLACES ± --- ± --- 3 PLACES ± --- ± --- 2 PLACES ± 0.25 ± --- 1 PLACE ± 0.38 ± --- 0 PLACE ±      ±	MM ONLY	1:1	METRIC	TITLE VHDM 6 ROW ADVANCE MATE OPEN END BACKPLANE SALES DRAWING <b>molex</b> DOCUMENT NO. SD-74057-003 SHEET NO. 3 OF 3
			DRAWN BY DATE MQWANG 2001/08/20	CHECKED BY DATE JLAURX 2001/08/22		
			APPROVED BY DATE CBIXLER 2001/08/22	MATERIAL NO. SEE TABLE		
ANGULAR ±1/2° DRAFT WHERE APPLICABLE MUST REMAIN WITHIN DIMENSIONS						



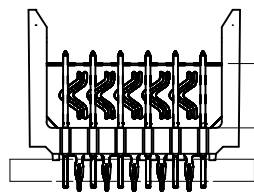
BACKPLANE HOLE PATTERN  
RECOMMENDED DIMENSION

THE PRIMARY CARTON WITH A LABEL STATING "ELV AND RoHS COMPLIANT" IS LEAD FREE. CARTONS WITHOUT THIS LABEL MAY CONTAIN LEAD.

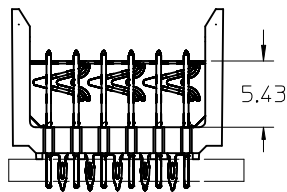


NOTES:

- MATERIAL: HOUSING -LIQUID CRYSTAL POLYMER (LCP), GLASS-FILLED, UL 94 V-0. COLOR BLACK. SIGNAL & SHIELD -COPPER ALLOY.
- FINISHES:  
CONTACT AREA: SELECTIVE GOLD (Au) 0.25 (MAPS), 0.76, OR 1.27 micrometer THICKNESS  
PCB TAILS: SELECTIVE MATTE TIN (Sn) NICKEL (Ni) OVERALL.
- THIS PART CONFORMS TO MOLEX PRODUCT SPECIFICATION PS-74031-999.
- FOR MIXED CONTACT MATING LENGTHS CONSULT MOLEX FOR AVAILABILITY.
- FOR SPECIFIC PART NUMBER AND MATING INFORMATION REFER TO SHEET 2.
- PACKAGE PER: PK-74057-003.
- EITHER MARK PART NUMBER AND DATE CODE APPROXIMATELY WHERE SHOWN OR PLACE LABEL ON THE TUBE.
- MAPS (MOLEX ADVANCED PLATING SYSTEM).



STANDARD

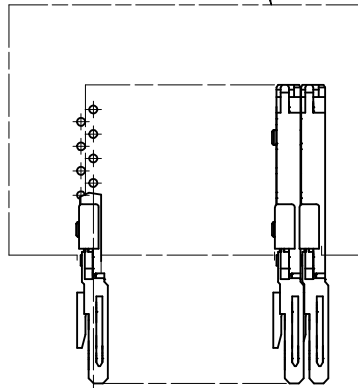


ADVANCE MATE

LEAD FREE CONVERSION EC NO: UCP2013-0687 DIR: WNR/WHIPPLE 2012/11/19 CHKD: MWOLFE 2012/11/19 APPR: SMILLER 2012/12/14	QUALITY SYMBOLS ▽E=0 ▽E=0 ▽E=0	GENERAL TOLERANCES (UNLESS SPECIFIED)		DIMENSION STYLE MM ONLY		SCALE 2.5:1	DESIGN UNITS METRIC	THIRD ANGLE PROJECTION	
		mm	INCH	DRAWN BY MOWANG	DATE 2001/08/20	TITLE	VHDM 6 ROW ADVANCE MATE OPEN END BACKPLANE SALES DRAWING <b>molex</b>		
4 PLACES ± --- ± ---		3 PLACES ± --- ± ---		CHECKED BY JLAURX		DATE 2001/08/22			
2 PLACES ± 0.25 ± ---		1 PLACE ± 0.38 ± ---		APPROVED BY CBIXLER		DATE 2001/08/22		SHEET NO. 1 OF 3	
0 PLACE ± ±		ANGULAR ±1/2° DRAFT WHERE APPLICABLE MUST REMAIN WITHIN DIMENSIONS		MATERIAL NO. SEE TABLE		THIS DRAWING CONTAINS INFORMATION THAT IS PROPRIETARY TO MOLEX INCORPORATED AND SHOULD NOT BE USED WITHOUT WRITTEN PERMISSION			

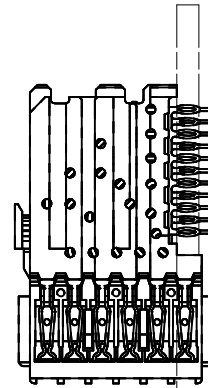
10 9 8 7 6 5 4 3 2 1

DAUGHTERCARD  
CONNECTOR SIDE

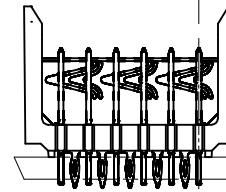
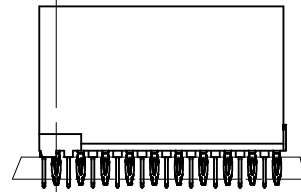


0.41 OFFSET  
SIGNAL TO  
SIGNAL

0.66  
TOP DAUGHTERCARD  
PCB TO CENTER  
OF ROW A



ROW A



SEE SHEET 1 EC NO: UCP2013-0687 TDRWN:RWHIPPLE 2012/11/19 CHKD:MWOLFE 2012/11/19 APPR:SMILLER 2012/12/14	QUALITY SYMBOLS ▽=0 ▽=0 ▽=0	GENERAL TOLERANCES (UNLESS SPECIFIED)		DIMENSION STYLE MM ONLY		SCALE 2.5:1	DESIGN UNITS METRIC	THIRD ANGLE PROJECTION		
		mm      INCH		DRAWN BY MOWANG	DATE 2001/08/20	TITLE VHDM 6 ROW ADVANCE MATE OPEN END BACKPLANE SALES DRAWING  <b>molex</b>				
		4 PLACES ± --- ± ---	3 PLACES ± --- ± ---	CHECKED BY JLAURX	DATE 2001/08/22					
		2 PLACES ± 0.25 ± ---	1 PLACE ± 0.38 ± ---	APPROVED BY CBIXLER	DATE 2001/08/22	MATERIAL NO. SEE TABLE		DOCUMENT NO. SD-74057-003	SHEET NO. 2 OF 3	
ANGULAR ± 1/2° DRAFT WHERE APPLICABLE MUST REMAIN WITHIN DIMENSIONS		THIS DRAWING CONTAINS INFORMATION THAT IS PROPRIETARY TO MOLEX INCORPORATED AND SHOULD NOT BE USED WITHOUT WRITTEN PERMISSION								

9 8 7 6 5 4 3 2 1

PART NUMBER	COLUMN	NUMBER OF SIGNAL PIN	NUMBER OF SHIELD	A	B	M	GOLD THICKNESS MICROMETER	TIN THICKNESS MICROMETER
74057-6101	10	60	10	20.00	18.00	4.75	0.25 MAPS	0.76-1.52
74057-*101							0.76	
74057-*106							1.27	
74057-7601	25	150	25	50.00	48.00		0.25 MAPS	
74057-*601							0.76	
74057-*606							1.27	
74057-6102	10	60	10	20.00	18.00	6.25	0.25 MAPS	
74057-*102							0.76	
74057-*107							1.27	
74057-7602	25	150	25	50.00	48.00		0.25 MAPS	
74057-*602							0.76	
74057-*607							1.27	
74057-6103	10	60	10	20.00	18.00	4.25	0.25 MAPS	
74057-*103							0.76	
74057-*108							1.27	
74057-7603	25	150	25	50.00	48.00		0.25 MAPS	
74057-*603							0.76	
74057-*608							1.27	
74057-6104	10	60	10	20.00	18.00	5.15	0.25 MAPS	
74057-*104							0.76	
74057-*109							1.27	
74057-7604	25	150	25	50.00	48.00		0.25 MAPS	
74057-*604							0.76	
74057-*609							1.27	

**MATERIAL NUMBER ASSIGNMENT**

74057-\*\*\*0\*

SEE TABLE  
NUMBER OF COLUMNS/PLATING

- 11 = 10 COLUMN MATTE TIN (FORMERLY TIN/LEAD)
- 26 = 25 COLUMN MATTE TIN (FORMERLY TIN/LEAD)
- 61 = 10 COLUMN MATTE TIN (MAPS)
- 76 = 25 COLUMN MATTE TIN (MAPS)
- 91 = 10 COLUMN MATTE TIN
- 86 = 25 COLUMN MATTE TIN

SEE SHEET 1 EC NO: UCP2013-0687 TIDR:WNRHIPPLE 2012/11/19 CHKD:HWOLFE 2012/11/19 APPR:SMILLER 2012/12/14	QUALITY SYMBOLS	GENERAL TOLERANCES (UNLESS SPECIFIED)	DIMENSION STYLE	SCALE	DESIGN UNITS	THIRD ANGLE PROJECTION
	$\nabla F/0$ $\nabla F/0$ $\nabla F/0$	mm      INCH 4 PLACES ± --- ± --- 3 PLACES ± --- ± --- 2 PLACES ± 0.25 ± --- 1 PLACE ± 0.38 ± --- 0 PLACE ±      ±	MM ONLY	1:1	METRIC	TITLE VHDM 6 ROW ADVANCE MATE OPEN END BACKPLANE SALES DRAWING <b>molex</b> DOCUMENT NO. SD-74057-003 SHEET NO. 3 OF 3
			DRAWN BY DATE MQWANG 2001/08/20			
			CHECKED BY DATE JLAURX 2001/08/22			
APPROVED BY DATE CBIXLER 2001/08/22						
		ANGULAR ±1/2° DRAFT WHERE APPLICABLE MUST REMAIN WITHIN DIMENSIONS	MATERIAL NO. SEE TABLE			
			SIZE B THIS DRAWING CONTAINS INFORMATION THAT IS PROPRIETARY TO MOLEX INCORPORATED AND SHOULD NOT BE USED WITHOUT WRITTEN PERMISSION			