

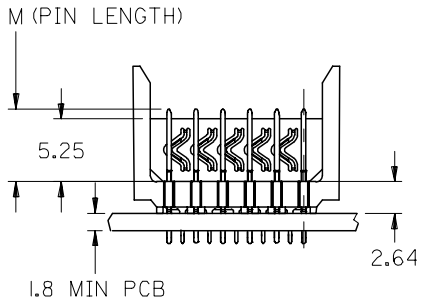
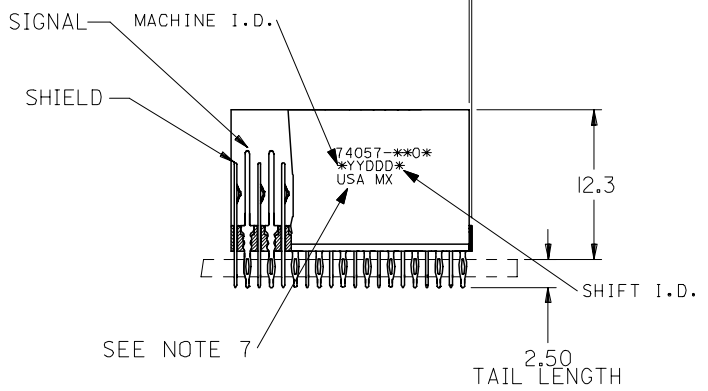
**BACKPLANE HOLE PATTERN
RECOMMENDED DIMENSIONS**

- Ø 0.56 ±0.05 PTH
- Ø 0.66 DRILL
- Ø 1.00 PAD
- ⊕ Ø 0.10

NOTES:

1. MATERIALS:
HOUSING - LIQUID CRYSTAL POLYMER (LCP),
GLASS-FILLED, UL 94V-0, COLOR: BLACK
SIGNAL PIN & SHIELD - COPPER ALLOY
2. FINISHES:
CONTACT AREA: SELECTIVE GOLD (Au)
PCB TAILS: SELECTIVE TIN/LEAD (Sn/Pb)
OR SELECTIVE MATTE TIN (Sn)
NICKEL (Ni) OVERALL.
3. THIS PART CONFORMS TO MOLEX PRODUCT SPECIFICATION PS-74031-999
4. FOR MIXED CONTACT LENGTHS CONSULT MOLEX FOR AVAILABILITY
5. FOR SPECIFIC MATERIAL NUMBERS & MATING INFORMATION REFER TO SHEET 2
6. PACKAGE PER PK-74057-003
7. EITHER MARK PART WITH PART NUMBER & DATE CODE APPROXIMATELY WHERE SHOWN OR PLACE LABEL ON THE TUBE.

0.21 MAX OVERALL PROTRUSION



1.8 MIN PCB

ADDED 15 COLUMN EC NO: UCP2006-1491 DRW: JONIAK 2006/01/19 CHKD: JONIAK 2006/01/19 APPR: CBIXLER 2006/01/23	QUALITY SYMBOLS ▽=0 ▽=0	GENERAL TOLERANCES (UNLESS SPECIFIED)		DIMENSION STYLE	SCALE	DESIGN UNITS	THIRD ANGLE PROJECTION	
		mm	INCH	MM ONLY	2.5:1	METRIC		
		4 PLACES	± ---	± ---	DRAWN BY	DATE	TITLE	
		3 PLACES	± ---	± ---	MWANG	1998/11/09		
2 PLACES	± ---	± ---	CHECKED BY	DATE	VHDM 6 ROW OPEN END BACKPLANE SALES ASSEMBLY			
1 PLACE	± ---	± ---	JLAURX	1998/11/09				
ANGULAR ±1/2°		APPROVED BY		DATE	MOLEX MOLEX INCORPORATED			
		CBIXLER		1998/11/09				
DRAFT WHERE APPLICABLE MUST REMAIN WITHIN DIMENSIONS		MATERIAL NO.		DOCUMENT NO.	SHEET NO.			
		SEE SHEET 3		SD-74057-002				
		SIZE		THIS DRAWING CONTAINS INFORMATION THAT IS PROPRIETARY TO MOLEX INCORPORATED AND SHOULD NOT BE USED WITHOUT WRITTEN PERMISSION				
		B						

10 9 8 7 6 5 4 3 2 1

F

E

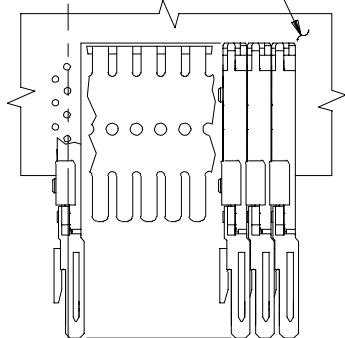
D

C

B

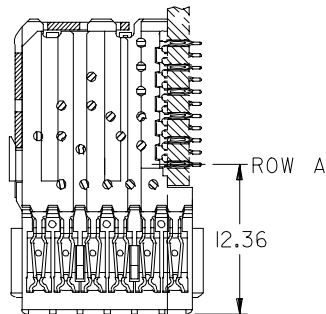
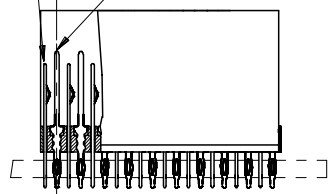
A

SIGNAL COLUMN
DAUGHTERCARD CONNECTOR SIDE



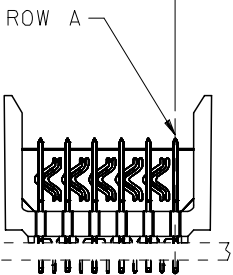
0.41 OFFSET
SIGNAL TO SIGNAL

SHIELD
SIGNAL



ROW A
12.36

0.66
TOP DAUGHTERCARD
PCB TO ϕ ROW A



MATERIAL NUMBER ASSIGNMENT

74057-**-** SEE TABLES (SHEET 3)

- NUMBER OF COLUMNS/PLATING
- 10 = 10 COLUMN TIN/LEAD
- 15 = 15 COLUMN TIN/LEAD
- 25 = 25 COLUMN TIN/LEAD
- 90 = 10 COLUMN MATTE TIN
- 95 = 15 COLUMN MATTE TIN
- 85 = 25 COLUMN MATTE TIN

ADDED 15 COLUMN EC NO: UCP2006-1491 DRWN: JONIAK 2006/01/19 CHKD: JONIAK 2006/01/19 APPR: CBIXLER 2006/01/23	QUALITY SYMBOLS ▽=0 ▽=0	GENERAL TOLERANCES (UNLESS SPECIFIED)		DIMENSION STYLE MM ONLY	SCALE ---	DESIGN UNITS METRIC	THIRD ANGLE PROJECTION		
		4 PLACES	± ---	± ---	DRAWN BY MWANG	DATE 1998/11/09	TITLE VHDM 6 ROW OPEN END BACKPLANE SALES ASSEMBLY		
		3 PLACES	± ---	± ---	CHECKED BY JLAURX	DATE 1998/11/09			
		2 PLACES	± ---	± ---	APPROVED BY CBIXLER	DATE 1998/11/09	MOLEX INCORPORATED		
1 PLACE	± ---	± ---	ANGULAR ±1/2°		MATERIAL NO. SEE SHEET 3	DOCUMENT NO. SD-74057-002	SHEET NO. 2 OF 3		
DRAFT WHERE APPLICABLE MUST REMAIN WITHIN DIMENSIONS				THIS DRAWING CONTAINS INFORMATION THAT IS PROPRIETARY TO MOLEX INCORPORATED AND SHOULD NOT BE USED WITHOUT WRITTEN PERMISSION					

9

8

7

6

5

4

3

2

1

PART NUMBER	COLUMN	NUMBER OF SIGNAL PIN	NUMBER OF SHIELD	A	B	M	Au (um) THICKNESS
74057-1001	10	60	10	20.00	18.00	4.75	0.76
74057-1006							1.27
74057-1501	15	90	15	30.00	28.00		0.76
74057-1506							1.27
74057-2501	25	150	25	50.00	48.00		0.76
74057-2501							1.27
74057-1002	10	60	10	20.00	18.00	0.76	
74057-1007						1.27	
74057-1502	15	90	15	30.00	28.00	0.76	
74057-1507						1.27	
74057-2502	25	150	25	50.00	48.00	0.76	
74057-2507						1.27	
74057-1003	10	60	10	20.00	18.00	0.76	
74057-1008						1.27	
74057-1503	15	90	15	30.00	28.00	0.76	
74057-1508						1.27	
74057-2503	25	150	25	50.00	48.00	0.76	
74057-2508						1.27	
74057-1004	10	60	10	20.00	18.00	0.76	
74057-1009						1.27	
74057-1504	15	90	15	30.00	28.00	0.76	
74057-1509						1.27	
74057-2504	25	150	25	50.00	48.00	0.76	
74057-2509						1.27	

TIN/LEAD CHART

PART NUMBER	COLUMN	NUMBER OF SIGNAL PIN	NUMBER OF SHIELD	A	B	M	Au (um) THICKNESS
74057-9001	10	60	10	20.00	18.00	4.75	0.76
74057-9006							1.27
74057-9501	15	90	15	30.00	28.00		0.76
74057-9506							1.27
74057-8501	25	150	25	50.00	48.00		0.76
74057-8501							1.27
74057-9002	10	60	10	20.00	18.00	0.76	
74057-9007						1.27	
74057-9502	15	90	15	30.00	28.00	0.76	
74057-9507						1.27	
74057-8502	25	150	25	50.00	48.00	0.76	
74057-8507						1.27	
74057-9003	10	60	10	20.00	18.00	0.76	
74057-9008						1.27	
74057-9503	15	90	15	30.00	28.00	0.76	
74057-9508						1.27	
74057-8503	25	150	25	50.00	48.00	0.76	
74057-8508						1.27	
74057-9004	10	60	10	20.00	18.00	0.76	
74057-9009						1.27	
74057-9504	15	90	15	30.00	28.00	0.76	
74057-9509						1.27	
74057-8504	25	150	25	50.00	48.00	0.76	
74057-8509						1.27	

LEAD FREE CHART

ADDED 15 COLUMN EC NO: UCP2006-1491 DRW: JJONIAK 2006/01/19 CHKD: JJONIAK 2006/01/19 APPR: CBIXLER 2006/01/23	QUALITY SYMBOLS ▽=0 ▽=0	GENERAL TOLERANCES (UNLESS SPECIFIED)		DIMENSION STYLE MM ONLY		SCALE ---	DESIGN UNITS METRIC	THIRD ANGLE PROJECTION	
			mm	INCH	DRAWN BY JJONIAK	DATE 2006/01/10	TITLE VHDM 6 ROW OPEN END BACKPLANE SALES ASSEMBLY MOLEX INCORPORATED		
			4 PLACES ±---	±---	CHECKED BY JJONIAK	DATE 2006/01/10			
			3 PLACES ±---	±---	APPROVED BY JJONIAK	DATE 2006/01/10			
	2 PLACES ±---	±---	MATERIAL NO. SEE CHARTS						
		1 PLACE ±---	±---	DOCUMENT NO. SD-74057-002		SHEET NO. 3 OF 3			
		ANGULAR ±1/2°		SIZE B		THIS DRAWING CONTAINS INFORMATION THAT IS PROPRIETARY TO MOLEX INCORPORATED AND SHOULD NOT BE USED WITHOUT WRITTEN PERMISSION			
		DRAFT WHERE APPLICABLE MUST REMAIN WITHIN DIMENSIONS							