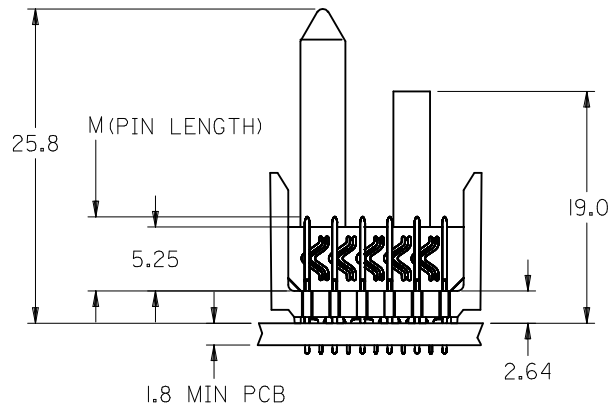
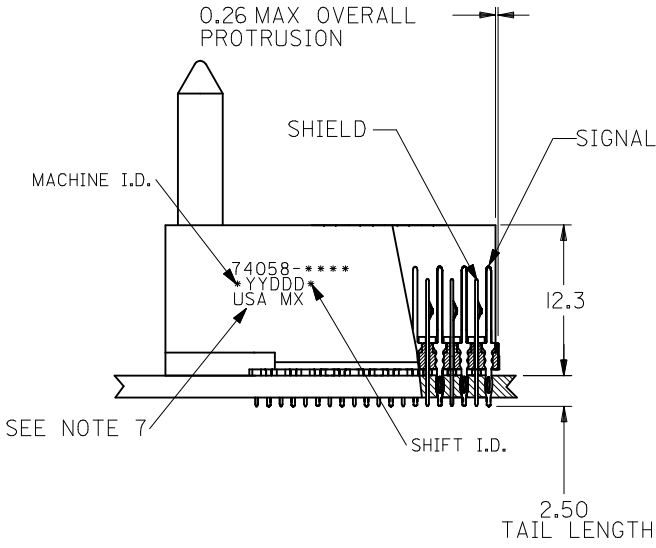
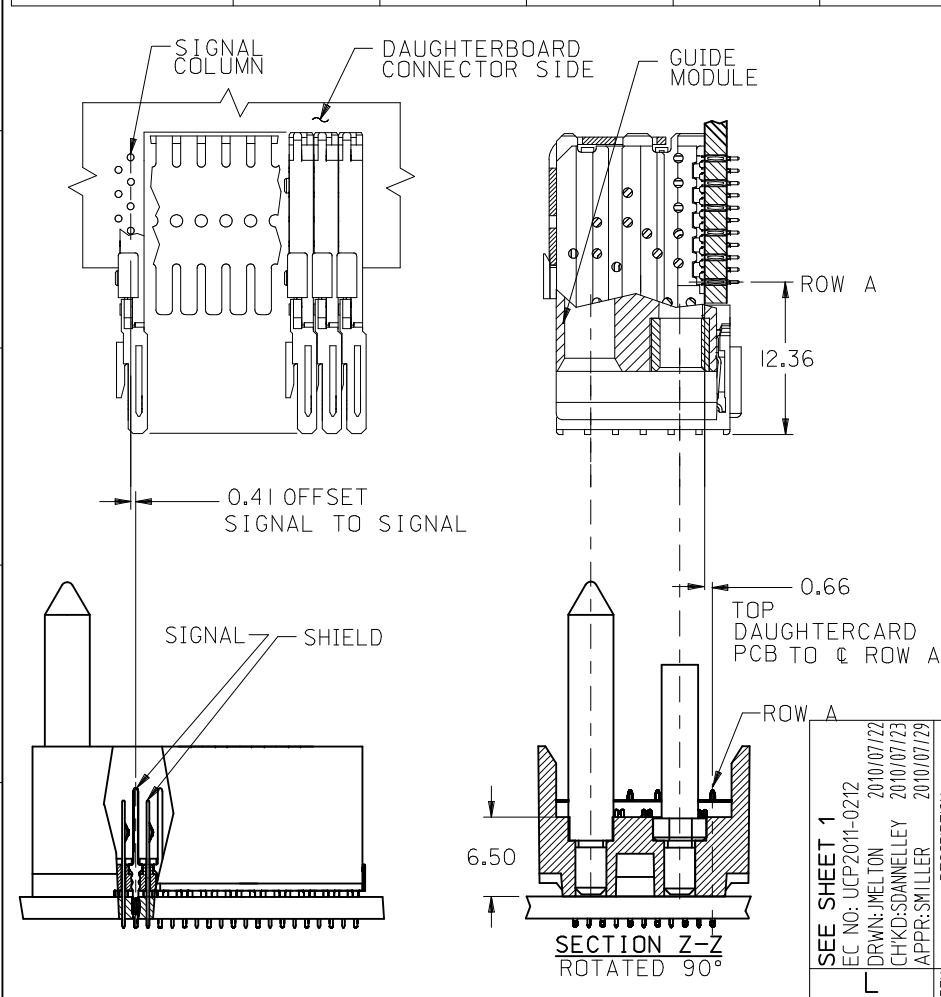
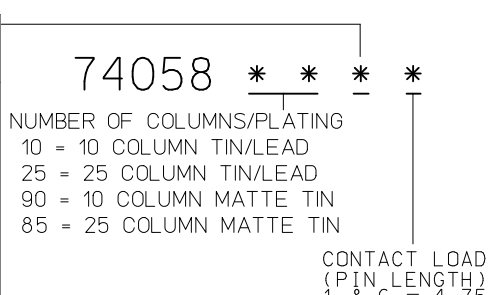
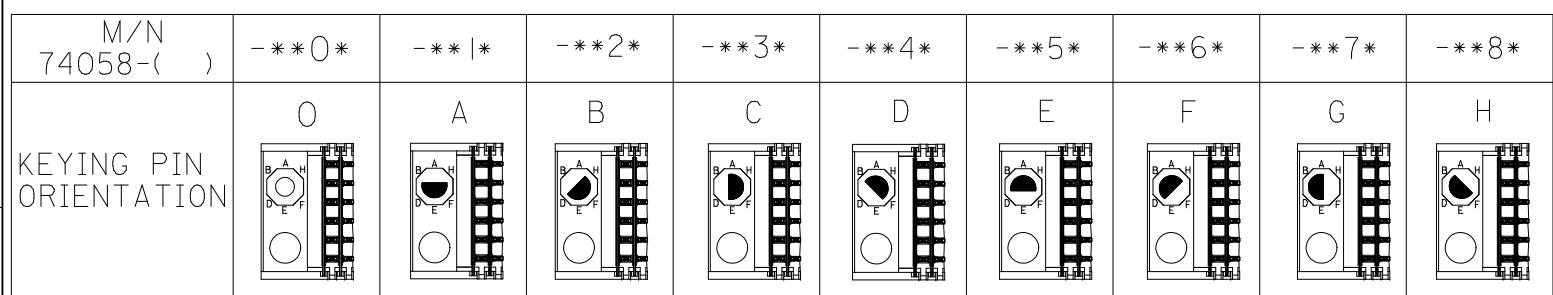


BACKPLANE HOLE PATTERN
RECOMMENDED DIMENSIONS

- NOTES:
- MATERIALS:
HOUSING - LIQUID CRYSTAL POLYMER (LCP),
GLASS-FILLED, UL 94V-0, COLOR: BLACK
SIGNAL PIN & SHIELD - COPPER ALLOY
 - FINISHES:
CONTACT AREA: SELECTIVE GOLD (Au)
PCB TAILS: SELECTIVE TIN/LEAD (Sn/Pb)
OR SELECTIVE MATTE TIN (Sn)
NICKEL (Ni) OVERALL.
 - THIS PART CONFORMS TO MOLEX PRODUCT SPECIFICATION PS-74031-999
 - FOR MIXED CONTACT LENGTHS CONSULT MOLEX FOR AVAILABILITY
 - FOR SPECIFIC MATERIAL NUMBERS & MATING INFORMATION REFER TO SHEET 2
 - PACKAGE PER PK-74058-003
 - MARK PART WITH PART NUMBER & DATE CODE APPROXIMATELY WHERE SHOWN



UPDATE MAX PROTRUSION TO 0.26 EC NO: UCP2011-0212 DRWN: JMELTON 2010/07/22 CHKD: SDANNELLEY 2010/07/23 APPR: SMILLER 2010/07/29	QUALITY SYMBOLS	GENERAL TOLERANCES (UNLESS SPECIFIED)	DIMENSION STYLE	SCALE	DESIGN UNITS	THIRD ANGLE PROJECTION
	▽/0	mm INCH	MM ONLY	2.5:1	METRIC	
	▽/0	4 PLACES ± --- ± ---	DRAWN BY DATE	VHDM 6 ROW SIGNAL END BACKPLANE SALES ASSEMBLY MOLEX INCORPORATED		
	▽/0	3 PLACES ± --- ± ---	JMELTON 2010/05/19			
▽/0	2 PLACES ± --- ± ---	CHECKED BY DATE	SDANNELLEY 2010/05/19			
▽/0	1 PLACE ± --- ± ---	APPROVED BY DATE	SMILLER 2010/07/14			
	ANGULAR ±1/2°		MATERIAL NO. DOCUMENT NO.			SHEET NO.
		DRAFT WHERE APPLICABLE MUST REMAIN WITHIN DIMENSIONS	SEE SHEET 2			1 OF 2
			SD-74058-002			
			THIS DRAWING CONTAINS INFORMATION THAT IS PROPRIETARY TO MOLEX INCORPORATED AND SHOULD NOT BE USED WITHOUT WRITTEN PERMISSION			



PART NUMBER	COLUMN	NUMBER OF SIGNAL PIN	NUMBER OF SHIELD	A	B	M	Au (um) THICKNESS	Sn (um) THICKNESS
74058-*0*1	10	60	10	27.00	18.00	4.75	0.76	0.76-1.52
74058-*0*6		60	10	27.00	18.00		1.27	
74058-*5*1	25	150	25	57.00	48.00	6.25	0.76	
74058-*5*6		150	25	57.00	48.00		1.27	
74058-*0*2	10	60	10	27.00	18.00	4.25	0.76	
74058-*0*7		60	10	27.00	18.00		1.27	
74058-*5*2	25	150	25	57.00	48.00	5.15	0.76	
74058-*5*7		150	25	57.00	48.00		1.27	
74058-*0*3	10	60	10	27.00	18.00	4.25	0.76	
74058-*0*8		60	10	27.00	18.00		1.27	
74058-*5*3	25	150	25	57.00	48.00	5.15	0.76	
74058-*5*8		150	25	57.00	48.00		1.27	
74058-*0*4	10	60	10	27.00	18.00	5.15	0.76	
74058-*0*9		60	10	27.00	18.00		1.27	
74058-*5*4	25	150	25	57.00	48.00	5.15	0.76	
74058-*5*9		150	25	57.00	48.00		1.27	

SEE SHEET 1 EC NO: UCP2011-0212 DRWN: JMELTON 2010/07/22 CHKD: SDANNELLEY 2010/07/23 APPR: SMILLER 2010/07/29	QUALITY SYMBOLS ∇/0 ∇/0 ∇/0	GENERAL TOLERANCES (UNLESS SPECIFIED) mm INCH 4 PLACES ± --- ± --- 3 PLACES ± --- ± --- 2 PLACES ± --- ± --- 1 PLACE ± --- ± --- ANGULAR ±1/2°	DIMENSION STYLE MM ONLY DRAWN BY DATE JMELTON 2010/05/19 CHECKED BY DATE SDANNELLEY 2010/05/19 APPROVED BY DATE SMILLER 2010/07/14	SCALE 2.5:1 DESIGN UNITS METRIC THIRD ANGLE PROJECTION	TITLE VHDM 6 ROW SIGNAL END BACKPLANE SALES ASSEMBLY
	DRAFT WHERE APPLICABLE MUST REMAIN WITHIN DIMENSIONS		MATERIAL NO. SEE TABLE	DOCUMENT NO. SD-74058-002	SHEET NO. 2 OF 2
	THIS DRAWING CONTAINS INFORMATION THAT IS PROPRIETARY TO MOLEX INCORPORATED AND SHOULD NOT BE USED WITHOUT WRITTEN PERMISSION				