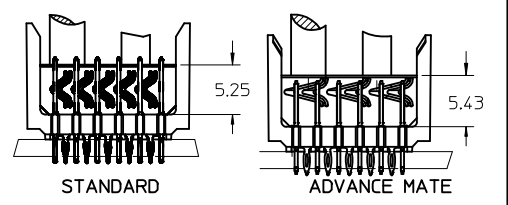
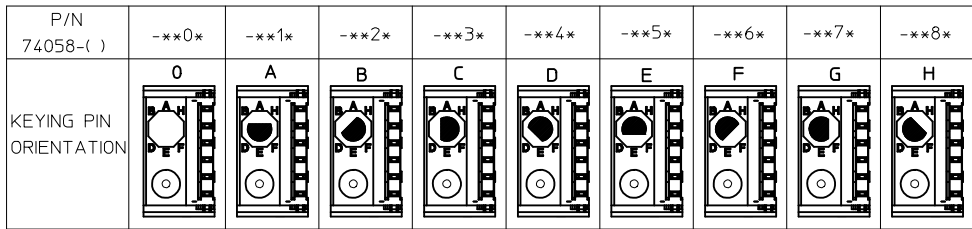


- NOTES:
1. MATERIAL: HOUSING -LIQUID CRYSTAL POLYMER (LCP) GLASS-FILLED, UL 94 V-0. COLOR: BLACK. SIGNAL & SHIELD -COPPER ALLOY.
  2. FINISHES: CONTACT AREA: SELECTIVE GOLD (Au) PCB TAILS: SELECTIVE MATTE TIN (Sn) NICKEL (Ni) OVERALL.
  3. THIS PART CONFORMS TO MOLEX PRODUCT SPECIFICATION PS-74031-999.
  4. FOR MIXED CONTACT MATING LENGTHS CONSULT MOLEX FOR AVAILABILITY.
  5. FOR SPECIFIC PART NUMBER AND MATING INFORMATION REFER TO SHEET 2.
  6. PACKAGE PER PK-74058-003.
  7. MARK PART NUMBER AND DATE CODE APPROXIMATELY WHERE SHOWN
  8. MAPS (MOLEX ADVANCED PLATING SYSTEM).

THE PRIMARY CARTON WITH A LABEL STATING "ELV AND RoHS COMPLAINT" IS LEAD FREE. CARTONS WITHOUT THIS LABEL MAY CONTAIN LEAD.



<b>LEAD FREE CONVERSION</b> EC NO: UCP2013-0687 2012/08/21 DRWINGES CHKD:MWLF 2012/11/28 APPR:SMILLER 2012/12/14	QUALITY SYMBOLS 	GENERAL TOLERANCES (UNLESS SPECIFIED)		DIMENSION STYLE <b>MM ONLY</b>		SCALE <b>2.5:1</b>	DESIGN UNITS <b>METRIC</b>	THIRD ANGLE PROJECTION		
		4 PLACES ±	3 PLACES ±	2 PLACES ±	1 PLACE ±	0 PLACE ±	DRAWN BY MQWANG		DATE 2001/08/20	
		DRAWING		CHECKED BY JLAURX		DATE 2001/08/22		<b>VHDM SALES ASSEMBLY</b> <b>6 ROW ADVANCE MATE</b> <b>SIGNAL END BACKPLANE</b> 		
		DESCRIPTION		APPROVED BY CBIXLER		DATE 2001/08/22				
DRAFT WHERE APPLICABLE MUST REMAIN WITHIN DIMENSIONS		MATERIAL NO. <b>SEE SHEET 2</b>		DOCUMENT NO. <b>SD-74058-003</b>		SHEET NO. <b>1 OF 2</b>				
THIS DRAWING CONTAINS INFORMATION THAT IS PROPRIETARY TO MOLEX INCORPORATED AND SHOULD NOT BE USED WITHOUT WRITTEN PERMISSION										



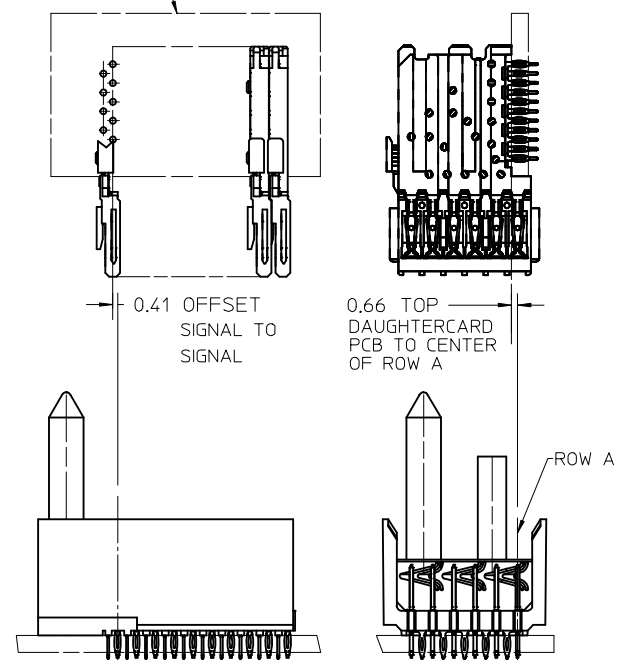
74058-\*\*\*\*

NUMBER OF COLUMNS/PLATING  
 11 = 10 COLUMN MATTE TIN (FORMERLY TIN/LEAD)  
 26 = 25 COLUMN MATTE TIN (FORMERLY TIN/LEAD)  
 61 = 10 COLUMN MATTE TIN (MAPS)  
 76 = 25 COLUMN MATTE TIN (MAPS)  
 91 = 10 COLUMN MATTE TIN  
 86 = 25 COLUMN MATTE TIN

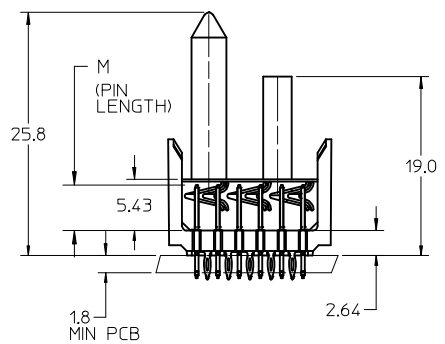
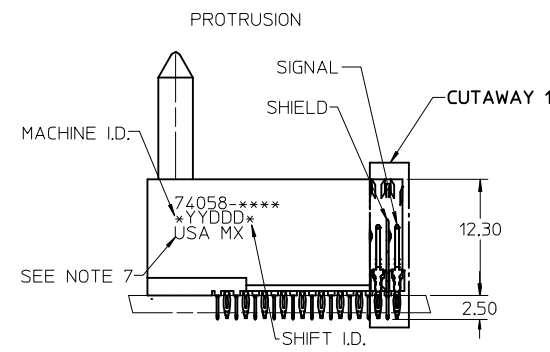
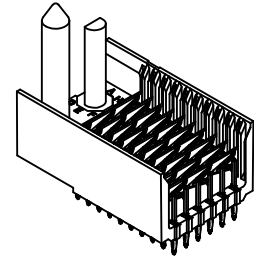
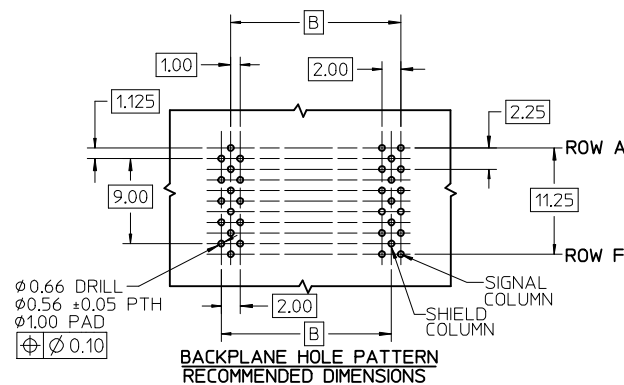
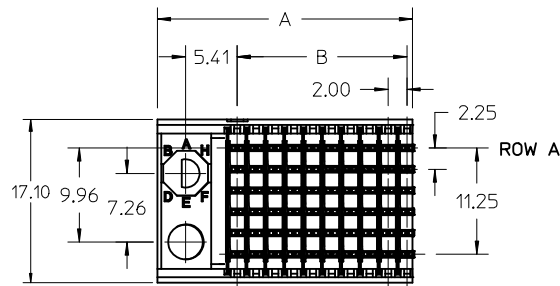
CONTACT LOAD  
 (PIN LENGTH)  
 1 & 6 = 4.75  
 2 & 7 = 6.25  
 3 & 8 = 4.25  
 4 & 9 = 5.15

PART NUMBER	COLUMN	NUMBER OF SIGNAL PIN	NUMBER OF SHIELD	A	B	M	GOLD THICKNESS MICROMETER	TIN THICKNESS MICROMETER
<b>74058-61*1</b>	10	60	10	27.00	18.00	4.75	0.25 MAPS	0.76-1.52
74058-*1*1							0.76	
74058-*1*6							1.27	
<b>74058-76*1</b>	25	150	25	57.00	48.00	4.75	0.25 MAPS	
74058-*6*1							0.76	
74058-*6*6							1.27	
<b>74058-61*2</b>	10	60	10	27.00	18.00	6.25	0.25 MAPS	
74058-*1*2							0.76	
74058-*1*7							1.27	
<b>74058-76*2</b>	25	150	25	57.00	48.00	6.25	0.25 MAPS	
74058-*6*2							0.76	
74058-*6*7							1.27	
<b>74058-61*3</b>	10	60	10	27.00	18.00	4.25	0.25 MAPS	
74058-*1*3							0.76	
74058-*1*8							1.27	
<b>74058-76*3</b>	25	150	25	57.00	48.00	4.25	0.25 MAPS	
74058-*6*3							0.76	
74058-*6*8							1.27	
<b>74058-61*4</b>	10	60	10	27.00	18.00	5.15	0.25 MAPS	
74058-*1*4							0.76	
74058-*1*9							1.27	
<b>74058-76*4</b>	25	150	25	57.00	48.00	5.15	0.25 MAPS	
74058-*6*4							0.76	
74058-*6*9							1.27	

DAUGHTERCARD  
CONNECTOR SIDE

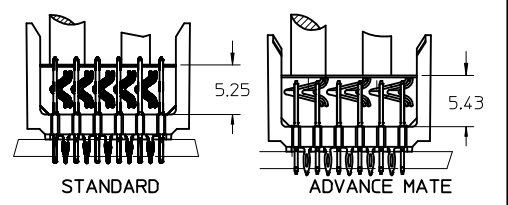


SEE SHEET 1 EC NO: UCP2013-0687 DRAWINGS: 2012/08/21 CHKD: MWOLFE 2012/11/28 APPR: SMILLER 2012/12/14	QUALITY SYMBOLS	GENERAL TOLERANCES (UNLESS SPECIFIED)	DIMENSION STYLE <b>MM ONLY</b>	SCALE <b>2.5:1</b>	DESIGN UNITS <b>METRIC</b>	THIRD ANGLE PROJECTION
	▽=0	mm INCH	DRAWN BY DATE MOWANG 2001/08/20	TITLE <b>VHDM SALES ASSEMBLY 6 ROW ADVANCE MATE SIGNAL END BACKPLANE</b>		
	▽=0	4 PLACES ± --- ± ---	CHECKED BY DATE JLAURX 2001/08/22	 <b>SD-74058-003</b>		
	▽=0	3 PLACES ± --- ± ---	APPROVED BY DATE CBIXLER 2001/08/22			
	REV	DESCRIPTION	ANGULAR ±1/2°	MATERIAL NO.	DOCUMENT NO.	SHEET NO.
		DRAFT WHERE APPLICABLE MUST REMAIN WITHIN DIMENSIONS	SEE TABLE	SD-74058-003	2 OF 2	

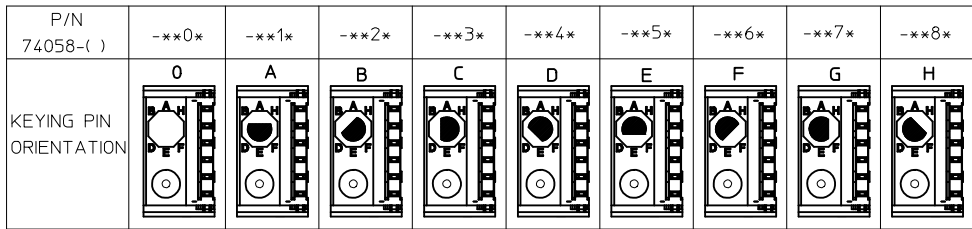


- NOTES:
1. MATERIAL: HOUSING -LIQUID CRYSTAL POLYMER (LCP) GLASS-FILLED, UL 94 V-0. COLOR: BLACK. SIGNAL & SHIELD -COPPER ALLOY.
  2. FINISHES: CONTACT AREA: SELECTIVE GOLD (Au) PCB TAILS: SELECTIVE MATTE TIN (Sn) NICKEL (Ni) OVERALL.
  3. THIS PART CONFORMS TO MOLEX PRODUCT SPECIFICATION PS-74031-999.
  4. FOR MIXED CONTACT MATING LENGTHS CONSULT MOLEX FOR AVAILABILITY.
  5. FOR SPECIFIC PART NUMBER AND MATING INFORMATION REFER TO SHEET 2.
  6. PACKAGE PER PK-74058-003.
  7. MARK PART NUMBER AND DATE CODE APPROXIMATELY WHERE SHOWN
  8. MAPS (MOLEX ADVANCED PLATING SYSTEM).

THE PRIMARY CARTON WITH A LABEL STATING "ELV AND RoHS COMPLAINT" IS LEAD FREE. CARTONS WITHOUT THIS LABEL MAY CONTAIN LEAD.



<b>LEAD FREE CONVERSION</b> EC NO: UCP2013-0687 2012/08/21 DRWINGES CHKD:MWLF 2012/11/28 APPR:SMILLER 2012/12/14	QUALITY SYMBOLS 	GENERAL TOLERANCES (UNLESS SPECIFIED)		DIMENSION STYLE		SCALE	DESIGN UNITS	THIRD ANGLE PROJECTION	
				MM ONLY		2.5:1	METRIC		
		4 PLACES	±	---	±	---	DRAWN BY	DATE	TITLE
		3 PLACES	±	---	±	---	MQWANG	2001/08/20	VHDM SALES ASSEMBLY
2 PLACES	±	---	±	---	CHECKED BY	DATE	6 ROW ADVANCE MATE		
1 PLACE	±	---	±	---	JLAURX	2001/08/22	SIGNAL END BACKPLANE		
0 PLACE	±	---	±	---	APPROVED BY	DATE	<b>molex</b>		
		ANGULAR ±1/2°		MATERIAL NO.		DOCUMENT NO.		SHEET NO.	
DRAFT WHERE APPLICABLE MUST REMAIN WITHIN DIMENSIONS		SEE SHEET 2		SD-74058-003		1 OF 2			
THIS DRAWING CONTAINS INFORMATION THAT IS PROPRIETARY TO MOLEX INCORPORATED AND SHOULD NOT BE USED WITHOUT WRITTEN PERMISSION									



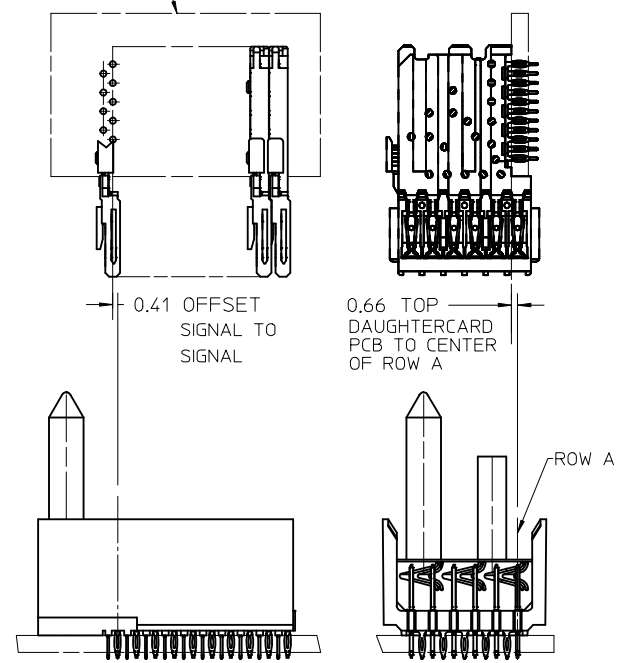
74058-\*\*\*\*

NUMBER OF COLUMNS/PLATING  
 11 = 10 COLUMN MATTE TIN (FORMERLY TIN/LEAD)  
 26 = 25 COLUMN MATTE TIN (FORMERLY TIN/LEAD)  
 61 = 10 COLUMN MATTE TIN (MAPS)  
 76 = 25 COLUMN MATTE TIN (MAPS)  
 91 = 10 COLUMN MATTE TIN  
 86 = 25 COLUMN MATTE TIN

CONTACT LOAD  
 (PIN LENGTH)  
 1 & 6 = 4.75  
 2 & 7 = 6.25  
 3 & 8 = 4.25  
 4 & 9 = 5.15

PART NUMBER	COLUMN	NUMBER OF SIGNAL PIN	NUMBER OF SHIELD	A	B	M	GOLD THICKNESS MICROMETER	TIN THICKNESS MICROMETER
74058-61*1	10	60	10	27.00	18.00	4.75	0.25 MAPS	0.76-1.52
74058-*1*1							0.76	
74058-*1*6							1.27	
74058-76*1	25	150	25	57.00	48.00		0.25 MAPS	
74058-*6*1							0.76	
74058-*6*6							1.27	
74058-61*2	10	60	10	27.00	18.00	6.25	0.25 MAPS	
74058-*1*2							0.76	
74058-*1*7							1.27	
74058-76*2	25	150	25	57.00	48.00		0.25 MAPS	
74058-*6*2							0.76	
74058-*6*7							1.27	
74058-61*3	10	60	10	27.00	18.00	4.25	0.25 MAPS	
74058-*1*3							0.76	
74058-*1*8							1.27	
74058-76*3	25	150	25	57.00	48.00		0.25 MAPS	
74058-*6*3							0.76	
74058-*6*8							1.27	
74058-61*4	10	60	10	27.00	18.00	5.15	0.25 MAPS	
74058-*1*4							0.76	
74058-*1*9							1.27	
74058-76*4	25	150	25	57.00	48.00		0.25 MAPS	
74058-*6*4							0.76	
74058-*6*9							1.27	

DAUGHTERCARD  
CONNECTOR SIDE



SEE SHEET 1 EC NO: UCP2013-0687 DRAWINGS: 2012/08/21 CHKD:MMOLFE 2012/11/28 APPR:SMILLER 2012/12/14	QUALITY SYMBOLS	GENERAL TOLERANCES (UNLESS SPECIFIED)	DIMENSION STYLE MM ONLY	SCALE 2.5:1	DESIGN UNITS METRIC	THIRD ANGLE PROJECTION
	▽=0	mm INCH	DRAWN BY DATE MOWANG 2001/08/20	TITLE VHDM SALES ASSEMBLY 6 ROW ADVANCE MATE SIGNAL END BACKPLANE		
	▽=0	4 PLACES ± --- ± ---	CHECKED BY DATE JLAURX 2001/08/22	DOCUMENT NO. SD-74058-003		
	▽=0	3 PLACES ± --- ± ---	APPROVED BY DATE CBIXLER 2001/08/22	SEE TABLE		
	▽=0	2 PLACES ± --- ± ---	MATERIAL NO.			
▽=0	1 PLACE ± --- ± ---	ANGULAR ±1/2°				
	0 PLACE ± ±	DRAFT WHERE APPLICABLE MUST REMAIN WITHIN DIMENSIONS				