

PLEASE CHECK WWW.MOLEX.COM FOR LATEST PART INFORMATION

Part Number: [74059-1004](#)

Status: **Active**

Overview: [VHDM® Backplane Connector Systems](#)

Description: 2.00mm Pitch VHDM® Single-Ended Board-to-Board Backplane Header, Vertical, 6-Row, Guide Pin Signal Module, Shield End Version, Pin End Version, 60 Circuits, Pin Length 5.15mm. Series:74074 Enables designers to create custom loaded connectors utilizing standard pin lengths 4.25, 4.75, 5.15 and 6.25mm

Documents:

[Drawing \(PDF\)](#)

[Product Specification PS-74031-999 \(PDF\)](#)

[RoHS Certificate of Compliance \(PDF\)](#)

Agency Certification

UL E29179

General

Product Family	Backplane Connectors
Series	74059
Application	Backplane
Application Tooling Documents	TM-622010999
Comments	No Keying Position
Component Type	PCB Header
Overview	VHDM® Backplane Connector Systems
Product Name	VHDM®
Style	N/A
UPC	800753257887

Physical

Circuits (Loaded)	60
Circuits (maximum)	60
Color - Resin	Black
Durability (mating cycles max)	200
First Mate / Last Break	No
Flammability	94V-0
Guide to Mating Part	Yes
Keying to Mating Part	None
Material - Metal	Beryllium Copper, High Performance Alloy (HPA), Stainless Steel
Material - Plating Mating	Gold
Material - Plating Termination	Tin-Lead
Material - Resin	High Temperature Thermoplastic
Net Weight	7.036/g
Number of Columns	10
Number of Pairs	Open Pin Field
Number of Rows	6
Orientation	Vertical
PC Tail Length	2.50mm
PCB Locator	No
PCB Retention	None
PCB Thickness - Recommended	1.80mm
Packaging Type	Tube
Pitch - Mating Interface	2.00mm
Pitch - Termination Interface	1.00mm
Polarized to PCB	Yes
Surface Mount Compatible (SMC)	Yes
Temperature Range - Operating	-55°C to +105°C

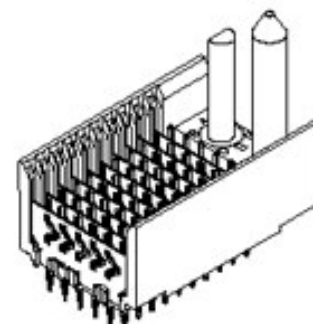


image - Reference only

Series

EU RoHS

ELV and RoHS Compliant

REACH SVHC

Not Reviewed

Low-Halogen Status

Low-Halogen

China RoHS



Need more information on product environmental compliance?

Email productcompliance@molex.com
For a multiple part number RoHS Certificate of Compliance, [click here](#)

Please visit the [Contact Us](#) section for any non-product compliance questions.

Search Parts in this Series

[74059Series](#)

Mates With

74030 VHDM® Board-to-Board Daughtercard Receptacle

Application Tooling | FAQ

Tooling specifications and manuals are found by selecting the products below. Crimp Height Specifications are then contained in the Application Tooling Specification document.

Global

Description	Product #
Insertion Module for Advanced Mate Signal Header, 6-Row by 11-Wide, 20.00mm Flat Rock Tooling for Pneumatic Press	0622011101
Signal Pin Inserter Repair Tool	0622015700

Termination Interface: Style

Through Hole - Compliant Pin

Electrical

Current - Maximum per Contact

2A

Data Rate

3.125 Gbps

Shield Type

Ground Plane Shield

Shielded

Yes

Voltage - Maximum

120V AC (RMS)/DC

Material Info

Reference - Drawing Numbers

Product Specification

PS-74031-999

Sales Drawing

SD-74059-002

VHDM and Very High Density Metric are trademarks of Amphenol Corporation

6-Row Pin and 0622015800

Shield Repair Tool

6-Row Shield 0622016000

Extraction Tool

Insertion Module 0622020203

for Advanced Mate

Signal Header, 6-

Row by 10-Wide,

20.00mm

Insertion Module 0622020207

for Advanced Mate

Signal Header, 6-

Row by 10-Wide,

20.00mm

This document was generated on 01/23/2013

PLEASE CHECK WWW.MOLEX.COM FOR LATEST PART INFORMATION