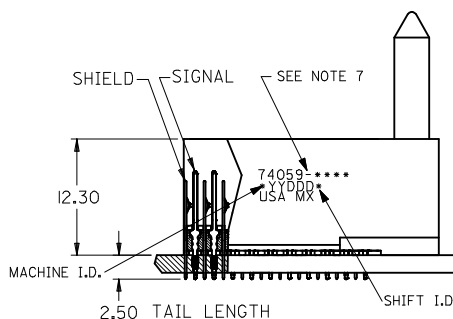
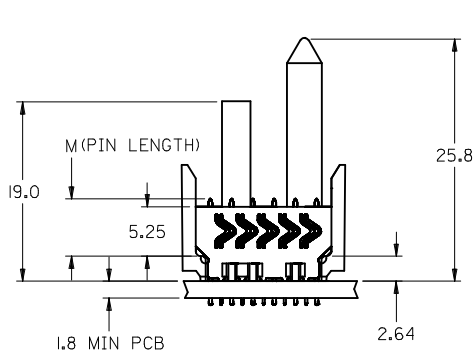
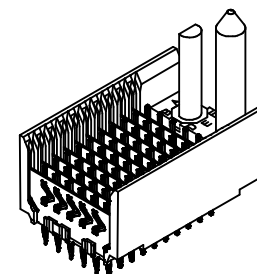
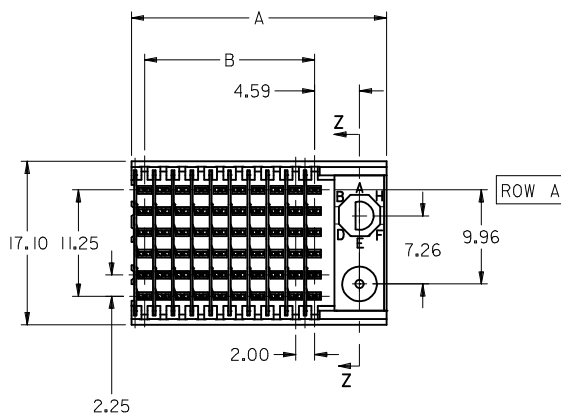


BACKPLANE HOLE PATTERN
RECOMMENDED DIMENSIONS



NOTES:

1. MATERIALS:
HOUSING - LIQUID CRYSTAL POLYMER (LCP),
GLASS-FILLED, UL 94V-0, COLOR: BLACK
SIGNAL PIN & SHIELD - COPPER ALLOY
2. FINISHES:
CONTACT AREA: SELECTIVE GOLD (Au)
PCB TAILS: SELECTIVE MATTE TIN (Sn)
NICKEL (Ni) OVERALL.
3. THIS PART CONFORMS TO MOLEX PRODUCT SPECIFICATION PS-74031-999
4. FOR MIXED CONTACT LENGTHS CONSULT MOLEX FOR AVAILABILITY
5. FOR SPECIFIC MATERIAL NUMBERS & MATING INFORMATION REFER TO SHEET 2 AND 3
6. PACKAGE PER PK-74058-003
7. MARK PART WITH PART NUMBER & DATE CODE APPROXIMATELY WHERE SHOWN
8. MAPS (MOLEX ADVANCED PLATING SYSTEM).

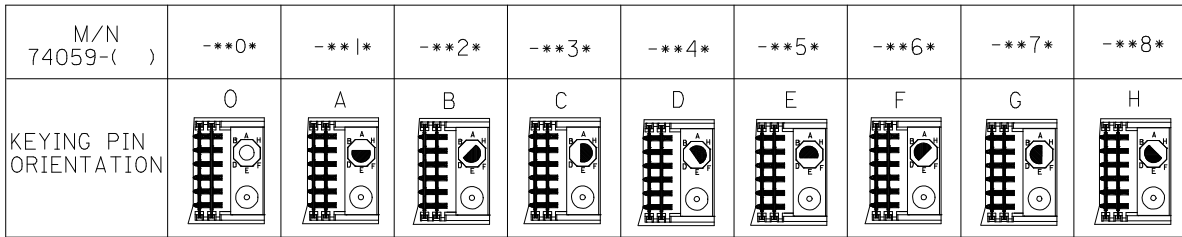
THE PRIMARY CARTON WITH A LABEL STATING "ELV AND RoHS COMPLAINT" IS LEAD FREE. CARTONS WITHOUT THIS LABEL MAY CONTAIN LEAD.

LEAD FREE CONVERSION EC NO: UCP2013-0687 DRAWN BY: 2012/08/21 CHKD:MMOLFE 2012/11/24 APPR:SMILLER 2012/12/14	QUALITY SYMBOLS	DESCRIPTION
	$\nabla = 0$	
	$\nabla = 0$	
	$\nabla = 0$	
REV		

GENERAL TOLERANCES (UNLESS SPECIFIED)	
mm	INCH
4 PLACES	± 0.25
3 PLACES	± 0.25
2 PLACES	± 0.25
1 PLACE	± 0.25
0 PLACE	± 0.25
ANGULAR $\pm 1/2^\circ$	
DRAFT WHERE APPLICABLE MUST REMAIN WITHIN DIMENSIONS	

DIMENSION STYLE MM ONLY	
DRAWN BY	DATE
JMELTON	2010/05/20
CHECKED BY	DATE
SDANNELLEY	2010/05/20
APPROVED BY	DATE
SMILLER	2010/07/14
MATERIAL NO. SEE SHT 2	

SCALE 2.5:1	DESIGN UNITS METRIC	THIRD ANGLE PROJECTION
TITLE VHDM 6 ROW SHIELD END BACKPLANE SALES DRAWING		
molex		
DOCUMENT NO. SD-74059-002	SHEET NO. 1 OF 2	
THIS DRAWING CONTAINS INFORMATION THAT IS PROPRIETARY TO MOLEX INCORPORATED AND SHOULD NOT BE USED WITHOUT WRITTEN PERMISSION		

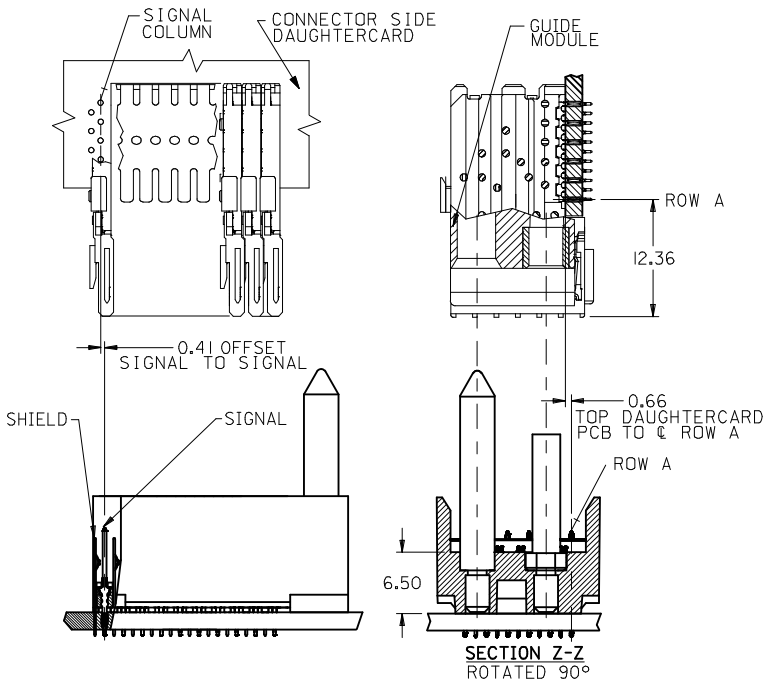


74059 - * * * *

NUMBER OF COLUMNS/PLATING

- 10 = 10 COLUMN MATTE TIN (FORMERLY TIN/LEAD)
- 21 = 11 COLUMN MATTE TIN (FORMERLY TIN/LEAD)
- 25 = 25 COLUMN MATTE TIN (FORMERLY TIN/LEAD)
- 60 = 10 COLUMN MATTE TIN (MAPS)
- 71 = 11 COLUMN MATTE TIN (MAPS)
- 75 = 25 COLUMN MATTE TIN (MAPS)
- 90 = 10 COLUMN MATTE TIN
- 81 = 11 COLUMN MATTE TIN
- 85 = 25 COLUMN MATTE TIN

- CONTACT LOAD (PIN HEIGHT)
- 1 & 6 = 4.75
 - 2 & 7 = 6.25
 - 3 & 8 = 4.25
 - 4 & 9 = 5.15



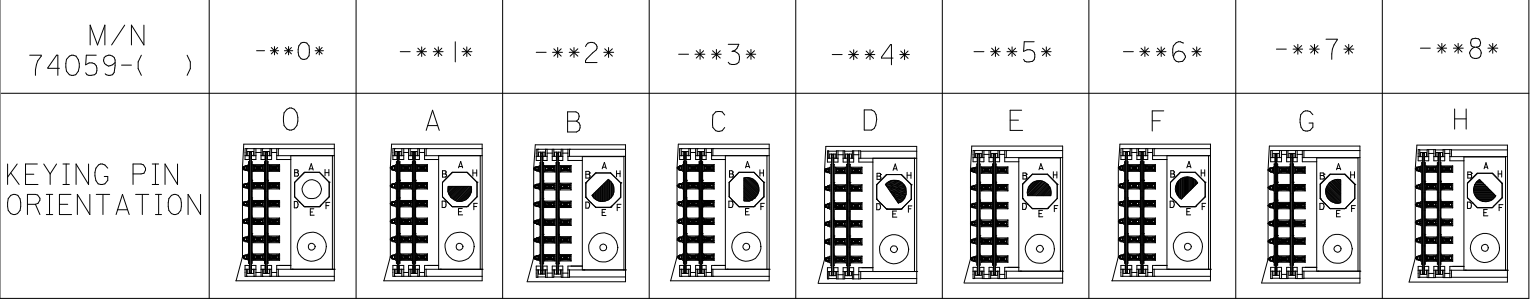
PART NUMBER	COLUMN	NUMBER OF SIGNAL PIN	NUMBER OF SHIELD	A	B	M	GOLD THICKNESS MICROMETER	TIN THICKNESS MICROMETER
74059-60*1							0.25 MAPS	
74059-*0*1	10	60	10	27.00	18.00	4.75	0.76	0.76-152
74059-*0*6							1.27	
74059-75*1							0.25 MAPS	
74059-*5*1	25	150	25	57.00	48.00	6.25	0.76	
74059-*5*6							1.27	
74059-60*2	10	60	10	27.00	18.00		0.25 MAPS	
74059-*0*2						4.25	0.76	
74059-*0*7							1.27	
74059-75*2	25	150	25	57.00	48.00		0.25 MAPS	
74059-*5*2						5.15	0.76	
74059-*5*7							1.27	
74059-60*3	10	60	10	27.00	18.00		0.25 MAPS	
74059-*0*3						4.25	1.27	
74059-75*3	25	150	25	57.00	48.00		0.25 MAPS	
74059-*5*3							0.76	
74059-*5*8						5.15	1.27	
74059-60*4	10	60	10	27.00	18.00		0.25 MAPS	
74059-*0*4							4.25	0.76
74059-*0*9						1.27		
74059-75*4	25	150	25	57.00	48.00	0.25 MAPS		
74059-*5*4						5.15	0.76	
74059-*5*9							1.27	

PART NUMBER	COLUMN	NUMBER OF SIGNAL PIN	NUMBER OF SHIELD	A	B	M	GOLD THICKNESS MICROMETER	TIN THICKNESS MICROMETER
74059-71*1							0.25 MAPS	
74059-*1*1	11	66	11	29.00	20.00	4.75	0.76	0.76-152
74059-*1*6							1.27	
74059-71*2	11	66	11	29.00	20.00		0.25 MAPS	
74059-*1*2						6.25	0.76	
74059-*1*7							1.27	
74059-71*3	11	66	11	29.00	20.00		0.25 MAPS	
74059-*1*3						4.25	0.76	
74059-*1*8							1.27	
74059-71*4	11	66	11	29.00	20.00		0.25 MAPS	
74059-*1*4						5.15	0.76	
74059-*1*9							1.27	

SEE SHEET 1 EC NO: UCP2013-0687 DRWNGES 2012/08/21 CHKD:MMWLF 2012/11/21 APPR:SMILLER 2012/12/14 REVL	QUALITY SYMBOLS 	GENERAL TOLERANCES (UNLESS SPECIFIED)		DIMENSION STYLE MM ONLY	SCALE 2.5:1	DESIGN UNITS METRIC	THIRD ANGLE PROJECTION		
		4 PLACES ± --- ± --- 3 PLACES ± --- ± --- 2 PLACES ± 0.10 ± --- 1 PLACE ± 0.25 ± --- 0 PLACE ± ±	mm INCH	DRAWN BY JMELTON	DATE 2010/05/20	TITLE VHM 6 ROW SHIELD END BACKPLANE SALES DRAWING			
		ANGULAR ±1/2°		CHECKED BY SDANNELLEY	DATE 2010/05/20	molex			
		DRAFT WHERE APPLICABLE MUST REMAIN WITHIN DIMENSIONS		APPROVED BY SMILLER	DATE 2010/07/14	MATERIAL NO. SEE TABLE	DOCUMENT NO. SD-74059-002	SHEET NO. 2 OF 2	

THIS DRAWING CONTAINS INFORMATION THAT IS PROPRIETARY TO MOLEX INCORPORATED AND SHOULD NOT BE USED WITHOUT WRITTEN PERMISSION

10 9 8 7 6 5 4 3 2 1

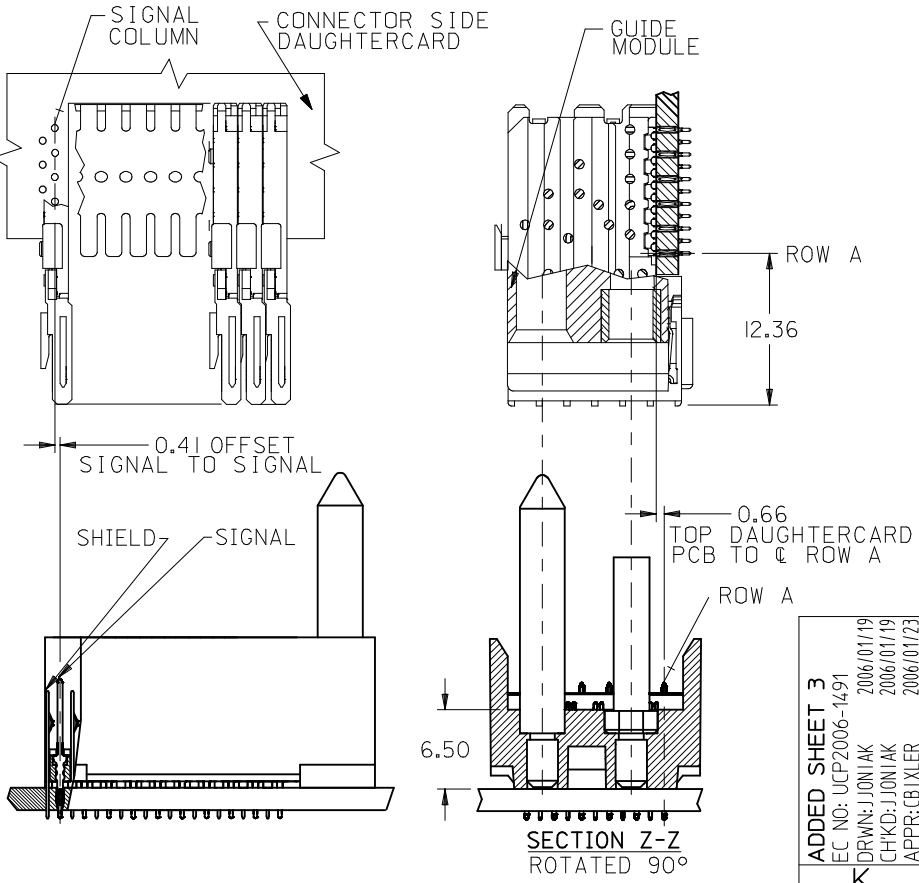


74059- * * * *

NUMBER OF COLUMNS/PLATING
 10 = 10 COLUMN TIN/LEAD
 21 = 11 COLUMN TIN/LEAD*
 25 = 25 COLUMN TIN/LEAD
 90 = 10 COLUMN MATTE TIN
 85 = 25 COLUMN MATTE TIN
 81 = 11 COLUMN MATTE TIN*

CONTACT LOAD (PIN LENGTH)
 1 & 6 = 4.75
 2 & 7 = 6.25
 3 & 8 = 4.25
 4 & 9 = 5.15

* - SEE SHEET 3 FOR 11 COLUMN P/N'S



PART NUMBER	COLUMN	NUMBER OF SIGNAL PIN	NUMBER OF SHIELD	A	B	M	Au (um) THICKNESS	Sn (um) THICKNESS
74059-#0*1	10	60	10	27.00	18.00	4.75	0.76	0.76-1.52
74059-#0*6							1.27	
74059-#5*1	25	150	25	57.00	48.00	6.25	0.76	
74059-#5*6							1.27	
74059-#0*2	10	60	10	27.00	18.00	4.25	0.76	
74059-#0*7							1.27	
74059-#5*2	25	150	25	57.00	48.00	5.15	0.76	
74059-#5*7							1.27	
74059-#0*3	10	60	10	27.00	18.00	4.25	0.76	
74059-#0*8							1.27	
74059-#5*3	25	150	25	57.00	48.00	5.15	0.76	
74059-#5*8							1.27	
74059-#0*4	10	60	10	27.00	18.00	4.25	0.76	
74059-#0*9							1.27	
74059-#5*4	25	150	25	57.00	48.00	5.15	0.76	
74059-#5*9							1.27	

ADDED SHEET 3
 EC NO: UCP2006-1491
 DRAWN: JJONIAK 2006/01/19
 CHKD: JJONIAK 2006/01/19
 APPR: CBIXLER 2006/01/23

QUALITY SYMBOLS
 ▽=0
 ▽=0

GENERAL TOLERANCES (UNLESS SPECIFIED)

	mm	INCH
4 PLACES	± ---	± ---
3 PLACES	± ---	± ---
2 PLACES	± ---	± ---
1 PLACE	± ---	± ---

ANGULAR ±1/2°

DRAFT WHERE APPLICABLE MUST REMAIN WITHIN DIMENSIONS

DIMENSION STYLE
MM ONLY

DRAWN BY	DATE	TITLE
MWANG	1998/11/09	VHDM 6 ROW SHIELD END BACKPLANE SALES DRAWING
CHECKED BY	DATE	
JLAURX	1998/11/09	
APPROVED BY	DATE	
CBIXLER	1998/11/09	

SCALE 2.5:1
 DESIGN UNITS METRIC
 THIRD ANGLE PROJECTION

MOLEX INCORPORATED

MATERIAL NO. SD-74059-002
 DOCUMENT NO. SD-74059-002
 SHEET NO. 2 OF 3

THIS DRAWING CONTAINS INFORMATION THAT IS PROPRIETARY TO MOLEX INCORPORATED AND SHOULD NOT BE USED WITHOUT WRITTEN PERMISSION

9 8 7 6 5 4 3 2 1