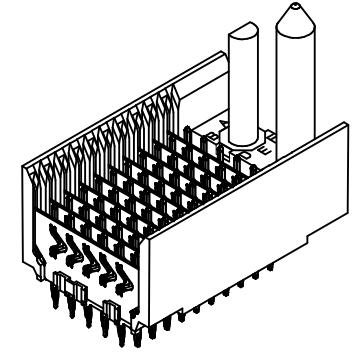
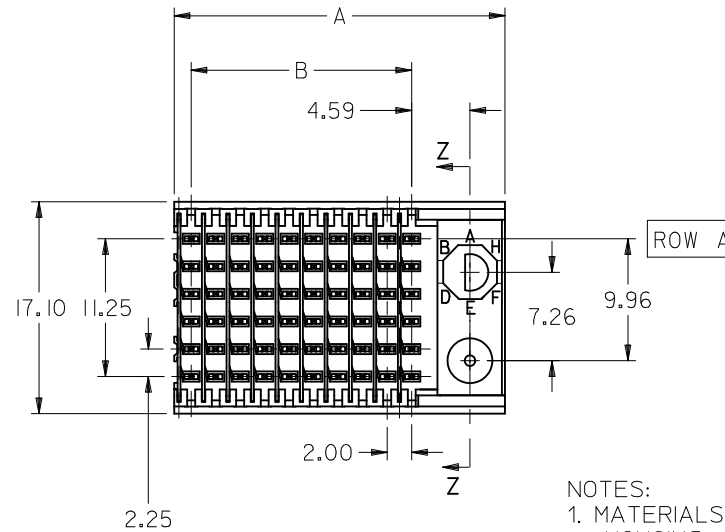
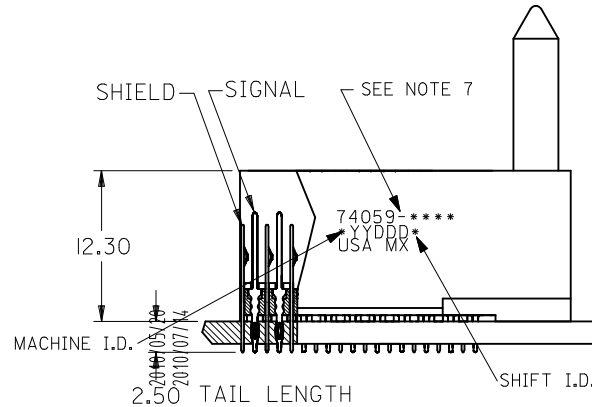
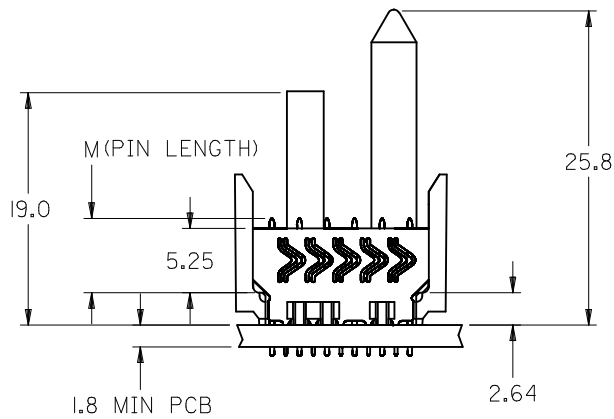


**BACKPLANE HOLE PATTERN**  
RECOMMENDED DIMENSIONS



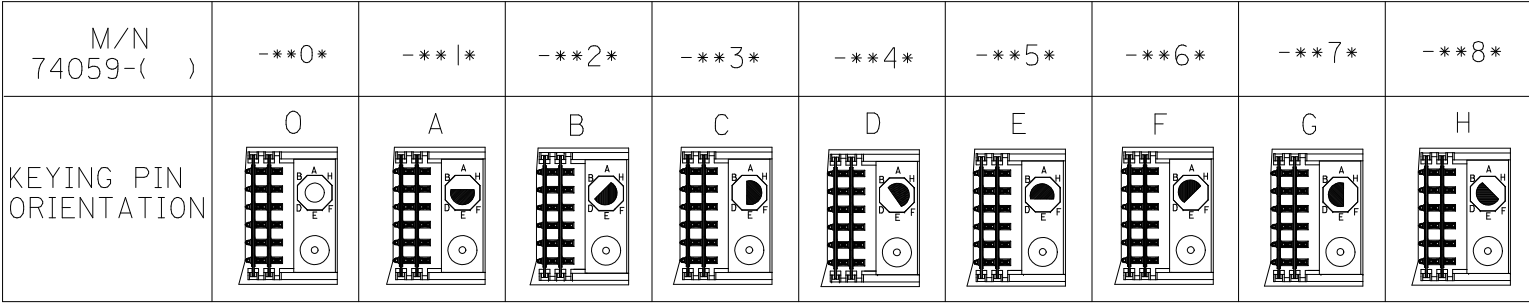
**NOTES:**

- MATERIALS:**  
HOUSING - LIQUID CRYSTAL POLYMER (LCP), GLASS-FILLED, UL 94V-0, COLOR: BLACK  
SIGNAL PIN & SHIELD - COPPER ALLOY
- FINISHES:**  
CONTACT AREA: SELECTIVE GOLD (Au)  
PCB TAILS: SELECTIVE TIN/LEAD (Sn/Pb) OR SELECTIVE MATTE TIN (Sn)  
NICKEL (Ni) OVERALL.
- THIS PART CONFORMS TO MOLEX PRODUCT SPECIFICATION PS-74031-999
- FOR MIXED CONTACT LENGTHS CONSULT MOLEX FOR AVAILABILITY
- FOR SPECIFIC MATERIAL NUMBERS & MATING INFORMATION REFER TO SHEET 2 AND 3
- PACKAGE PER PK-74058-003
- MARK PART WITH PART NUMBER & DATE CODE APPROXIMATELY WHERE SHOWN



UPDATE VIEWS - HSG KEY SLOT EC NO: UCP2010-1574 DRWN: JMELTON 2010/05/20 CHKD: SDANNELLEY APPR: SMILLER	QUALITY SYMBOLS $\nabla/0$ $\nabla/0$ $\nabla/0$	GENERAL TOLERANCES (UNLESS SPECIFIED)		DIMENSION STYLE <b>MM ONLY</b>	SCALE <b>2.5:1</b>	DESIGN UNITS <b>METRIC</b>	THIRD ANGLE PROJECTION		
		4 PLACES $\pm$ --- $\pm$ --- 3 PLACES $\pm$ --- $\pm$ --- 2 PLACES $\pm 0.10$ $\pm$ --- 1 PLACE $\pm 0.25$ $\pm$ ---	mm      INCH	DRAWN BY      DATE JMELTON      2010/05/20	CHECKED BY      DATE SDANNELLEY      2010/05/20	TITLE <b>VHDM 6 ROW SHIELD END BACKPLANE SALES DRAWING</b>			
		ANGULAR $\pm 1/2^\circ$		APPROVED BY      DATE SMILLER      2010/07/14	<b>MOLEX MOLEX INCORPORATED</b>				
		DRAFT WHERE APPLICABLE MUST REMAIN WITHIN DIMENSIONS		MATERIAL NO. <b>SEE SHEET 2 &amp; 3</b>	DOCUMENT NO. <b>SD-74059-002</b>	SHEET NO. <b>1 OF 3</b>			

10 9 8 7 6 5 4 3 2 1

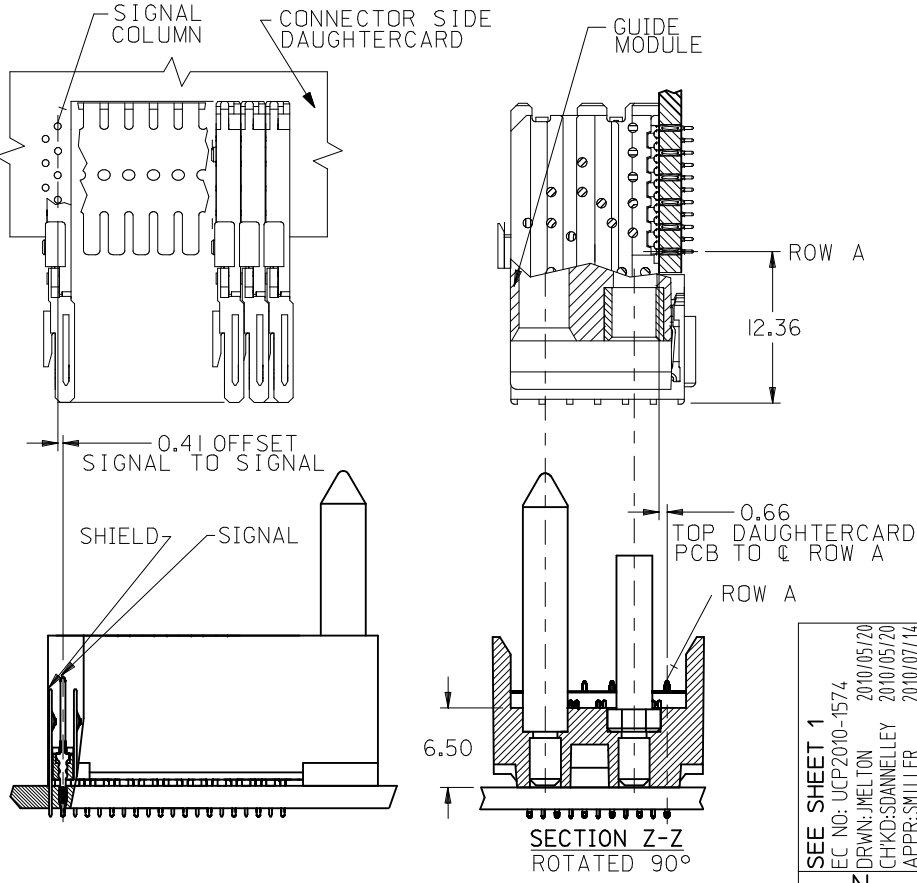


74059- \* \* \* \*

NUMBER OF COLUMNS/PLATING  
 10 = 10 COLUMN TIN/LEAD  
 21 = 11 COLUMN TIN/LEAD\*  
 25 = 25 COLUMN TIN/LEAD  
 90 = 10 COLUMN MATTE TIN  
 85 = 25 COLUMN MATTE TIN  
 81 = 11 COLUMN MATTE TIN\*

CONTACT LOAD (PIN LENGTH)  
 1 & 6 = 4.75  
 2 & 7 = 6.25  
 3 & 8 = 4.25  
 4 & 9 = 5.15

\* - SEE SHEET 3 FOR 11 COLUMN P/N'S



PART NUMBER	COLUMN	NUMBER OF SIGNAL PIN	NUMBER OF SHIELD	A	B	M	Au (um) THICKNESS	Sn (um) THICKNESS
74059-0*1	10	60	10	27.00	18.00	4.75	0.76	0.76-1.52
74059-0*6							1.27	
74059-5*1	25	150	25	57.00	48.00	6.25	0.76	
74059-5*6							1.27	
74059-0*2	10	60	10	27.00	18.00	6.25	0.76	
74059-0*7							1.27	
74059-5*2	25	150	25	57.00	48.00	4.25	0.76	
74059-5*7							1.27	
74059-0*3	10	60	10	27.00	18.00	5.15	0.76	
74059-0*8							1.27	
74059-5*3	25	150	25	57.00	48.00	5.15	0.76	
74059-5*8							1.27	
74059-0*4	10	60	10	27.00	18.00	5.15	0.76	
74059-0*9							1.27	
74059-5*4	25	150	25	57.00	48.00	5.15	0.76	
74059-5*9							1.27	

9 8 7 6 5 4 3 2 1

SEE SHEET 1  
 E.C. NO: UCP2010-1574  
 DRWN: JELTON 2010/05/20  
 CHKD: SDANNELLEY 2010/05/20  
 APPR: SMILLER 2010/07/14

QUALITY SYMBOLS  
 ∇=0  
 ∇=0  
 ∇=0

GENERAL TOLERANCES (UNLESS SPECIFIED)  
 mm INCH  
 4 PLACES ± --- ± ---  
 3 PLACES ± --- ± ---  
 2 PLACES ± 0.10 ± ---  
 1 PLACE ± 0.25 ± ---  
 ANGULAR ± 1/2°

DRAFT WHERE APPLICABLE  
 MUST REMAIN WITHIN DIMENSIONS

DIMENSION STYLE  
 MM ONLY

SCALE  
 2.5:1

DESIGN UNITS  
 METRIC

THIRD ANGLE PROJECTION

TITLE  
 VHDM 6 ROW  
 SHIELD END BACKPLANE  
 SALES DRAWING

APPROVED BY  
 SMILLER 2010/07/14

MATERIAL NO.  
 SEE TABLE

DOCUMENT NO.  
 SD-74059-002

SHEET NO.  
 2 OF 3

THIS DRAWING CONTAINS INFORMATION THAT IS PROPRIETARY TO MOLEX INCORPORATED AND SHOULD NOT BE USED WITHOUT WRITTEN PERMISSION

10 9 8 7 6 5 4 3 2 1

PART NUMBER	COLUMN	NUMBER OF SIGNAL	NUMBER OF PIN	NUMBER OF SHIELD	A	B	M	Au (um) THICKNESS	Sn (um) THICKNESS
74059-*1*1	11	66	66	11	29.00	20.00	4.75	0.76	0.76-1.52
74059-*1*6								1.27	
74059-*1*2	11	66	66	11	29.00	20.00	6.25	0.76	
74059-*1*7								1.27	
74059-*1*3	11	66	66	11	29.00	20.00	4.25	0.76	
74059-*1*8								1.27	
74059-*1*4	11	66	66	11	29.00	20.00	5.15	0.76	
74059-*1*9								1.27	

11 COLUMN P/N'S

SEE SHEET 1 EC NO: UCP2010-1574 DRWN: JMELTON 2010/05/20 CHKD: SDANNELLEY 2010/05/20 APPR: SMILLER 2010/07/14	DESCRIPTION REV	QUALITY SYMBOLS	GENERAL TOLERANCES (UNLESS SPECIFIED)	DIMENSION STYLE <b>MM ONLY</b>		SCALE <b>2.5:1</b>	DESIGN UNITS <b>METRIC</b>	THIRD ANGLE PROJECTION		
		$\nabla=0$	mm INCH	DRAWN BY DATE	TITLE <b>VHDM 6 ROW SHIELD END BACKPLANE SALES DRAWING</b> <b>MOLEX INCORPORATED</b> DOCUMENT NO. <b>SD-74059-002</b> SHEET NO. <b>3 OF 3</b>					
		$\nabla=0$	4 PLACES ± --- ± ---	JMELTON 2010/05/20						
		$\nabla=0$	3 PLACES ± --- ± ---	CHECKED BY DATE						
$\nabla=0$	2 PLACES ± 0.10 ± ---	SDANNELLEY 2010/05/20								
	1 PLACE ± 0.25 ± ---	APPROVED BY DATE								
	ANGULAR ± 1/2°	SMILLER 2010/07/14								
DRAFT WHERE APPLICABLE MUST REMAIN WITHIN DIMENSIONS			MATERIAL NO. <b>SEE TABLE</b>		THIS DRAWING CONTAINS INFORMATION THAT IS PROPRIETARY TO MOLEX INCORPORATED AND SHOULD NOT BE USED WITHOUT WRITTEN PERMISSION					

9 8 7 6 5 4 3 2 1