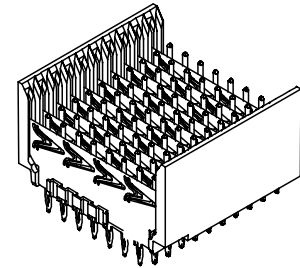
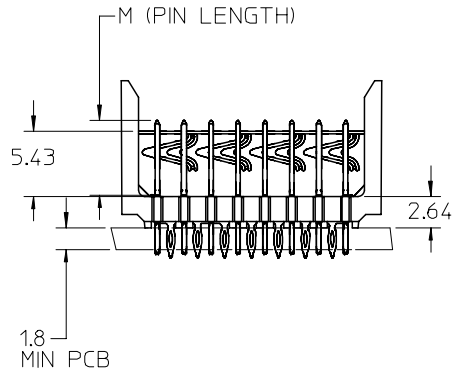
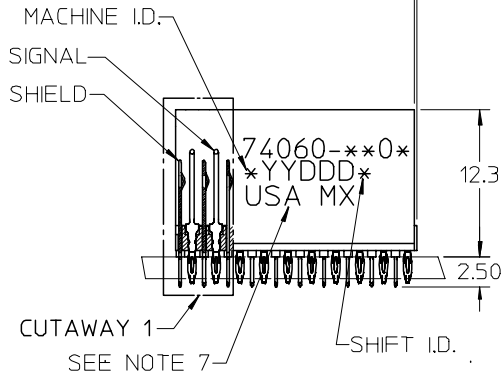


- Ø0.66 DRILL
- Ø0.56 ±0.05 PTH
- Ø1.00 PAD
- ⊕ Ø0.10

**BACKPLANE HOLE PATTERN
RECOMMENDED DIMENSION**

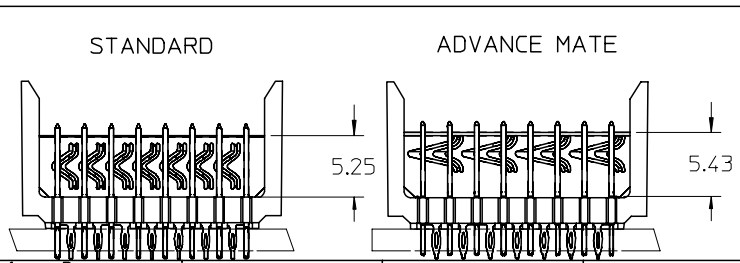


0.21 MAX OVERALL PROTRUSION

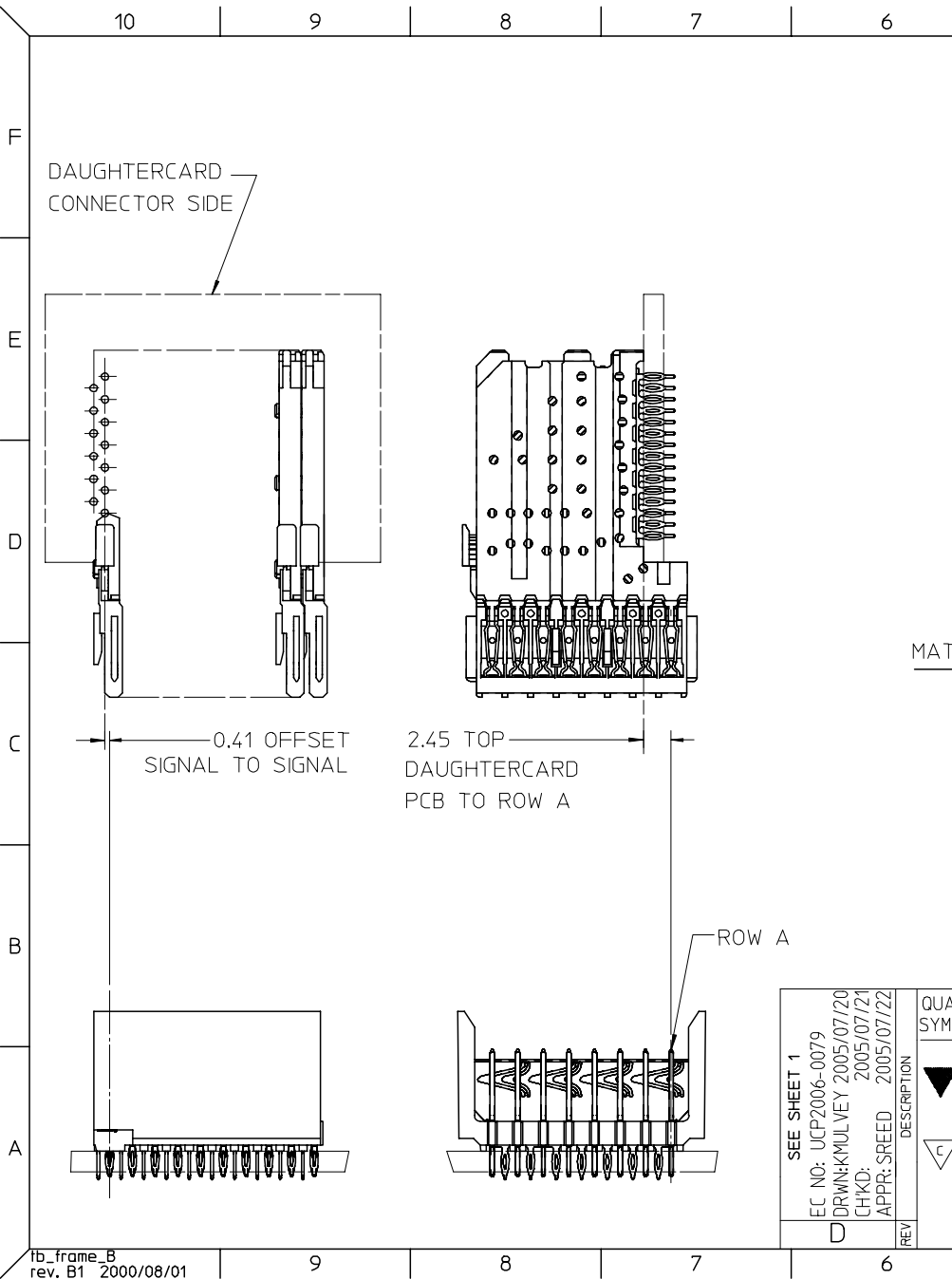


NOTES:

1. MATERIAL, -LIQUID CRYSTAL POLYMER (LCP) GLASS-FILLED. UL 94 V-0. COLOR BLACK. SIGNAL & SHIELD -COPPER ALLOY.
2. FINISHES:
CONTACT AREA: SELECTIVE GOLD (Au)
PCB TAILS: SELECTIVE TIN/LEAD (Sn/Pb)
OR SELECTIVE MATTE TIN (Sn)
NICKEL (Ni) OVERALL.
3. THIS PART CONFORMS TO MOLEX PRODUCT SPECIFICATION PS-74031-999.
4. FOR MIXED CONTACT MATING LENGTHS CONSULT MOLEX FOR AVAILABILITY.
5. FOR SPECIFIC PART NUMBER AND MATING INFORMATION REFER TO SHEET 2.
6. PACKAGE PER PK-74060-003.
7. EITHER MARK PART NUMBER AND DATE CODE APPROXIMATELY WHERE SHOWN OR PLACE LABEL ON THE TUBE.



ADD LEADFREE PINS EC NO: UCP2006-0079 DRWN:K MULVEY 2005/07/20 CHKD: 2005/07/21 APPR: SPEED 2005/07/22	QUALITY SYMBOLS ▼ - 0 ▽ - 0	GENERAL TOLERANCES (UNLESS SPECIFIED)		SCALE 2.5:1	DESIGN UNITS METRIC	THIRD ANGLE PROJECTION	REVISE ON CAD ONLY
		4 PLACES ± --- ± --- 3 PLACES ± --- ± --- 2 PLACES ± --- ± --- 1 PLACE ± --- ± ---	DIMENSION STYLE MM ONLY	TITLE VHDM SALES ASSEMBLY 8 ROW ADVANCE MATE OPEN END BACKPLANE			
		ANGULAR ±1/2°	DRAWN BY DATE MQWANG 2001/10/09	MOLEX MOLEX INCORPORATED			
		DRAFT WHERE APPLICABLE MUST REMAIN WITHIN DIMENSIONS	CHECKED BY DATE NMARTIN 2001/10/10	APPROVED BY DATE CBIXLER 2001/10/12	MATERIAL NO. DOCUMENT NO. SEE SHEET 2 SD-74060-003		



74060									
PART NUMBER	COLUMN	NUMBER OF SIGNALS	NUMBER OF SHIELDS	A	B	M	Au (um) THICKNESS	Sn (um) THICKNESS	
74060-*101	10	80	10	20.00	18.00	4.75	0.76	0.76-152	
74060-*106							1.27		
74060-*601	25	200	25	50.00	48.00		0.76		
74060-*606							1.27		
74060-*102	10	80	10	20.00	18.00	6.25	0.76		
74060-*107							1.27		
74060-*602	25	200	25	50.00	48.00		4.25		0.76
74060-*607									1.27
74060-*103	10	80	10	20.00	18.00	5.15			0.76
74060-*108									1.27
74060-*603	25	200	25	50.00	48.00		4.25		0.76
74060-*608									1.27
74060-*104	10	80	10	20.00	18.00	5.15			0.76
74060-*109									1.27
74060-*604	25	200	25	50.00	48.00		5.15		0.76
74060-*609									1.27

MATERIAL NUMBER ASSIGNMENT

74060-** **

SEE TABLE

NUMBER OF COLUMNS/PLATING

11 = 10 COLUMN TIN/LEAD
 26 = 25 COLUMN TIN/LEAD
 91 = 10 COLUMN MATTE TIN
 86 = 25 COLUMN MATTE TIN

SEE SHEET 1 EC NO: UCP2006-0079 DRW: KMULVEY 2005/07/20 CHKD: 2005/07/21 APPR: SREED 2005/07/22	QUALITY SYMBOLS	GENERAL TOLERANCES (UNLESS SPECIFIED)		SCALE 2.5:1	DESIGN UNITS METRIC	THIRD ANGLE PROJECTION	REVISE ON CAD ONLY
	▽ -0 ∇ -0	mm	INCH	DIMENSION STYLE MM ONLY		TITLE	
		4 PLACES ± --- ± ---	3 PLACES ± --- ± ---	2 PLACES ± --- ± ---	1 PLACE ± --- ± ---	VHDM SALES ASSEMBLY 8 ROW ADVANCE MATE OPEN END BACKPLANE	
	DESCRIPTION	ANGULAR ±1/2°	DRAFT WHERE APPLICABLE		APPROVED BY DATE	DATE	MATERIAL NO.
REV		MUST REMAIN WITHIN DIMENSIONS		CBIXLER 2001/10/12	2001/10/10	SEE TABLE	SD-74060-003
				THIS DRAWING CONTAINS INFORMATION THAT IS PROPRIETARY TO MOLEX INCORPORATED AND SHOULD NOT BE USED WITHOUT WRITTEN PERMISSION			
							SHEET NO. 2 OF 2