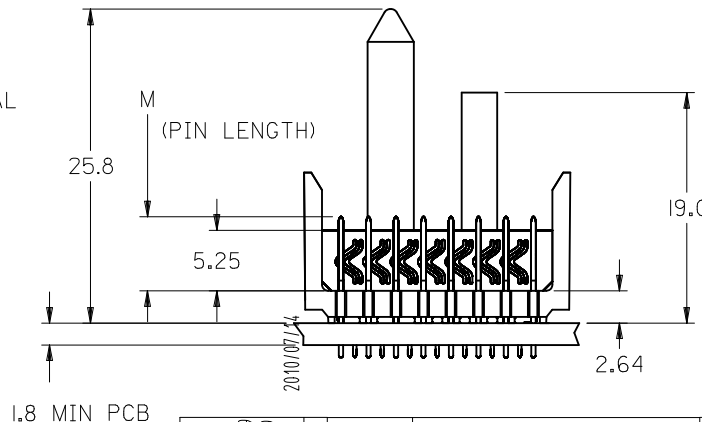
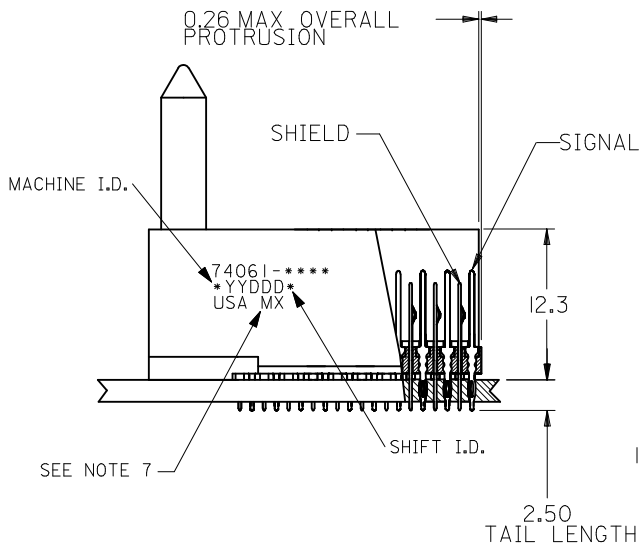


**BACKPLANE HOLE PATTERN  
RECOMMENDED DIMENSION**

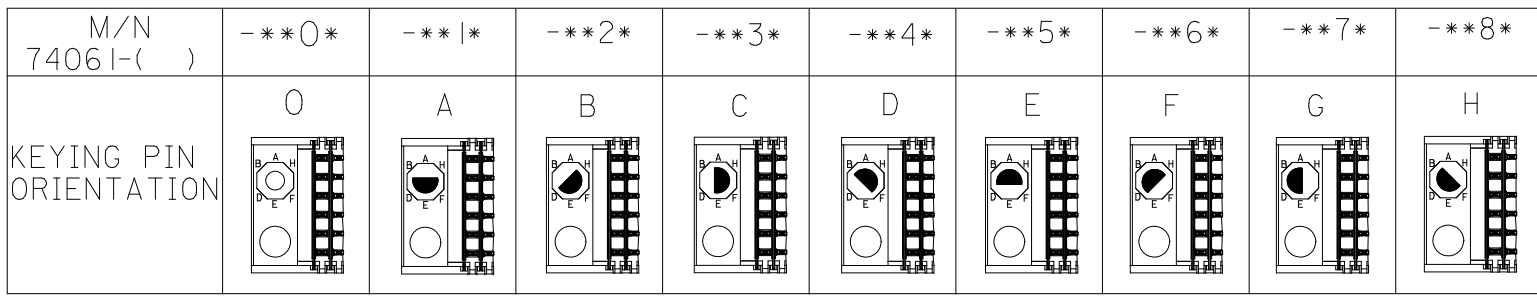
**NOTES:**

1. MATERIALS:  
HOUSING - LIQUID CRYSTAL POLYMER (LCP),  
GLASS-FILLED, UL 94V-0, COLOR: BLACK  
SIGNAL PIN & SHIELD - COPPER ALLOY
2. FINISHES:  
CONTACT AREA: SELECTIVE GOLD (Au)  
PCB TAILS: SELECTIVE TIN/LEAD (Sn/Pb)  
OR SELECTIVE MATTE TIN (Sn)  
NICKEL (Ni) OVERALL.
3. THIS PART CONFORMS TO MOLEX PRODUCT SPECIFICATION PS-74031-999
4. FOR MIXED CONTACT LENGTHS CONSULT MOLEX FOR AVAILABILITY
5. FOR SPECIFIC MATERIAL NUMBERS & MATING INFORMATION REFER TO SHEET 2
6. PACKAGE PER PK-74061-003
7. MARK PART WITH PART NUMBER & DATE CODE APPROXIMATELY WHERE SHOWN



UPDATE VIEWS - HSG KEY SLOT EC NO: UCP2010-1574 DRAWN: JMELTON 2010/05/19 CHKD: SDANNELLEY 2010/05/19 APPR: SMILLER	DESCRIPTION REV	QUALITY SYMBOLS	GENERAL TOLERANCES (UNLESS SPECIFIED)	DIMENSION STYLE MM ONLY	SCALE 2.5:1	DESIGN UNITS METRIC	THIRD ANGLE PROJECTION
		$\nabla = 0$ $\nabla = 0$ $\nabla = 0$	mm INCH 4 PLACES ± --- ± --- 3 PLACES ± --- ± --- 2 PLACES ± --- ± --- 1 PLACE ± --- ± --- ANGULAR ±1/2°	DRAWN BY DATE JMELTON 2010/05/19 CHECKED BY DATE SDANNELLEY 2010/05/19 APPROVED BY DATE SMILLER 2010/07/14	TITLE	VHDM 8 ROW SIGNAL END BACKPLANE SALES ASSEMBLY	
		DRAFT WHERE APPLICABLE MUST REMAIN WITHIN DIMENSIONS	MATERIAL NO. SEE SHEETS 2 & 3	DOCUMENT NO. MOLEX INCORPORATED SD-74061-002	SHEET NO. 1 OF 3		
		THIS DRAWING CONTAINS INFORMATION THAT IS PROPRIETARY TO MOLEX INCORPORATED AND SHOULD NOT BE USED WITHOUT WRITTEN PERMISSION					

10 9 8 7 6 5 4 3 2 1

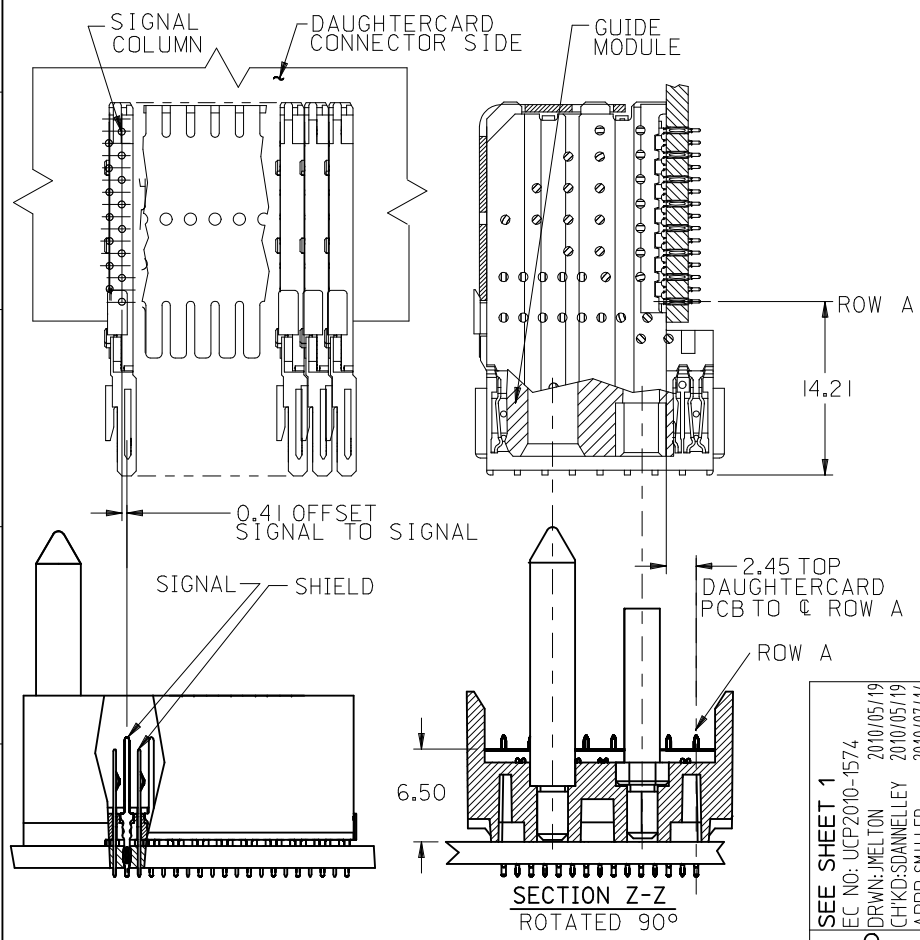


74061 - \* \* \* \*

NUMBER OF COLUMNS/PLATING  
 10 = 10 COLUMN TIN/LEAD  
 12 = 12 COLUMN TIN/LEAD\*  
 25 = 25 COLUMN TIN/LEAD  
 90 = 10 COLUMN MATTE TIN  
 92 = 12 COLUMN MATTE TIN\*  
 85 = 25 COLUMN MATTE TIN

CONTACT LOAD (PIN LENGTH)  
 1 & 6 = 4.75  
 2 & 7 = 6.25  
 3 & 8 = 4.25  
 4 & 9 = 5.15

\*12 COLUMN P/N'S ON SHEET 3



PART NUMBER	COLUMN	NUMBER OF SIGNAL PIN	NUMBER OF SHIELD	A	B	M	Au (um) THICKNESS	Sn (um) THICKNESS
74061-*0*1	10	80	10	27.00	18.00	4.75	0.76	0.76-1.52
74061-*0*6							1.27	
74061-*5*1	25	200	25	57.00	48.00	6.25	0.76	
74061-*5*6							1.27	
74061-*0*2	10	80	10	27.00	18.00	6.25	0.76	
74061-*0*7							1.27	
74061-*5*2	25	200	25	57.00	48.00	4.25	0.76	
74061-*5*7							1.27	
74061-*0*3	10	80	10	27.00	18.00	5.15	0.76	
74061-*0*8							1.27	
74061-*5*3	25	200	25	57.00	48.00	5.15	0.76	
74061-*5*8							1.27	
74061-*0*4	10	80	10	27.00	18.00	5.15	0.76	
74061-*0*9							1.27	
74061-*5*4	25	200	25	57.00	48.00	5.15	0.76	
74061-*5*9							1.27	

SEE SHEET 1

EC NO: UCP2010-1574  
 DRAWN: JMELTON 2010/05/19  
 CHKD: SDANNELLEY 2010/05/19  
 APPR: SMILLER 2010/07/14

QUALITY SYMBOLS  
 $\nabla/0$   
 $\nabla/0$   
 $\nabla/0$

GENERAL TOLERANCES (UNLESS SPECIFIED)  
 mm INCH  
 4 PLACES ± --- ± ---  
 3 PLACES ± --- ± ---  
 2 PLACES ± --- ± ---  
 1 PLACE ± --- ± ---  
 ANGULAR ±1/2°

DRAFT WHERE APPLICABLE MUST REMAIN WITHIN DIMENSIONS

DIMENSION STYLE  
 MM ONLY

SCALE  
 2.5:1

DESIGN UNITS  
 METRIC

THIRD ANGLE PROJECTION

TITLE  
 VHDM 8 ROW  
 SIGNAL END BACKPLANE  
 SALES ASSEMBLY

MATERIAL NO.  
 SD-74061-002

DOCUMENT NO.  
 SD-74061-002

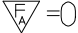
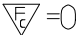
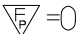
SHEET NO.  
 2 OF 3

THIS DRAWING CONTAINS INFORMATION THAT IS PROPRIETARY TO MOLEX INCORPORATED AND SHOULD NOT BE USED WITHOUT WRITTEN PERMISSION

10 9 8 7 6 5 4 3 2 1

## 12 COLUMN P/N CHART

PART NUMBER	COLUMN	NUMBER OF SIGNAL PIN	NUMBER OF SHIELD	A	B	M	Au (um) THICKNESS	Sn (um) THICKNESS
74061-*2*1	12	96	12	31.00	22.00	4.75	0.76	0.76-1.52
74061-*2*6							1.27	
74061-*2*2	12	96	12	31.00	22.00	6.25	0.76	
74061-*2*7							1.27	
74061-*2*3	12	96	12	31.00	22.00	4.25	0.76	
74061-*2*8							1.27	
74061-*2*4	12	96	12	31.00	22.00	5.15	0.76	
74061-*2*9							1.27	

SEE SHEET 1 EC NO: UCP2010-1574 DRWN: JMELTON 2010/05/19 CHKD: SDANNELLEY 2010/05/19 APPR: SMILLER 2010/07/14	QUALITY SYMBOLS	GENERAL TOLERANCES (UNLESS SPECIFIED)		DIMENSION STYLE MM ONLY		SCALE 2.5:1	DESIGN UNITS METRIC	THIRD ANGLE PROJECTION	
	 = 0	mm	INCH	DRAWN BY	DATE	TITLE VHDM 8 ROW SIGNAL END BACKPLANE SALES ASSEMBLY			
	 = 0	4 PLACES ± ---	± ---	JMELTON	2010/05/19				
	 = 0	3 PLACES ± ---	± ---	CHECKED BY	DATE				
		2 PLACES ± ---	± ---	SDANNELLEY	2010/05/19	MOLEX INCORPORATED			
	1 PLACE ± ---	± ---	APPROVED BY	DATE					
	ANGULAR ±1/2°	DRAFT WHERE APPLICABLE MUST REMAIN WITHIN DIMENSIONS		SMILLER	2010/07/14	MATERIAL NO.	DOCUMENT NO.	SHEET NO.	
				SEE TABLE		SD-74061-002		3 OF 3	
				THIS DRAWING CONTAINS INFORMATION THAT IS PROPRIETARY TO MOLEX INCORPORATED AND SHOULD NOT BE USED WITHOUT WRITTEN PERMISSION					