

**PLEASE CHECK WWW.MOLEX.COM FOR LATEST PART INFORMATION**

**Part Number:** [74062-1003](#)

**Status:** **Active**

**Overview:** [VHDM® Backplane Connector Systems](#)

**Description:** 2.00mm Pitch VHDM® Single-Ended Board-to-Board Backplane Header, Vertical, 8-Row, Guide Pin Signal Module, Shield End Version, 80 Circuits, Pin Length 4.25mm. Series:74075 Enables designers to create custom loaded connectors utilizing standard pin lengths 4.25, 4.75, 5.15 and 6.25mm

**Documents:**

[Drawing \(PDF\)](#)

[Product Specification PS-74031-999 \(PDF\)](#)

[RoHS Certificate of Compliance \(PDF\)](#)

**Agency Certification**

UL E29179

**General**

Product Family	Backplane Connectors
Series	<a href="#">74062</a>
Application	Backplane
Application Tooling Documents	<a href="#">TM-622010999</a>
Comments	No Keying Position
Component Type	PCB Header
Overview	<a href="#">VHDM® Backplane Connector Systems</a>
Product Name	VHDM®
Style	N/A
UPC	800753259799

**Physical**

Circuits (Loaded)	80
Circuits (maximum)	80
Color - Resin	Black
Durability (mating cycles max)	200
First Mate / Last Break	No
Flammability	94V-0
Guide to Mating Part	Yes
Keying to Mating Part	None
Material - Metal	Beryllium Copper, High Performance Alloy (HPA), Stainless Steel
Material - Plating Mating	Gold
Material - Plating Termination	Tin-Lead
Material - Resin	High Temperature Thermoplastic
Net Weight	8.162/g
Number of Columns	10
Number of Pairs	Open Pin Field
Number of Rows	8
Orientation	Vertical
PC Tail Length	2.50mm
PCB Locator	No
PCB Retention	None
PCB Thickness - Recommended	1.80mm
Packaging Type	Tube
Pitch - Mating Interface	2.00mm
Pitch - Termination Interface	1.00mm
Plating min - Mating	0.762µm
Plating min - Termination	0.762µm
Polarized to PCB	Yes

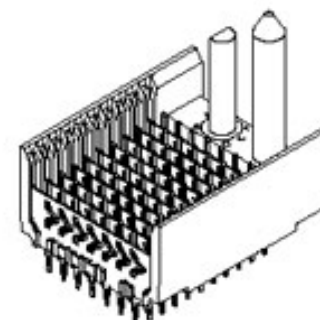


image - Reference only

Series

**EU RoHS**

**ELV and RoHS Compliant**  
**REACH SVHC Not Reviewed**  
**Low-Halogen Status Not Reviewed**

**China RoHS**



**Need more information on product environmental compliance?**

Email [productcompliance@molex.com](mailto:productcompliance@molex.com)  
For a multiple part number RoHS Certificate of Compliance, [click here](#)

Please visit the [Contact Us](#) section for any non-product compliance questions.

**Search Parts in this Series**

[74062Series](#)

**Mates With**

[74040 VHDM® Board-to-Board Daughtercard Receptacle](#)

**Application Tooling | FAQ**

*Tooling specifications and manuals are found by selecting the products below. Crimp Height Specifications are then contained in the Application Tooling Specification document.*

**Global**

Description	Product #
Flat Rock Tooling for Pneumatic Press	<a href="#">0622013700</a>
Signal Pin Inserter	<a href="#">0622015700</a>
Repair Tool	
8-Row Pin and Shield Repair Tool	<a href="#">0622015900</a>
8-Row Shield Extraction Tool	<a href="#">0622016100</a>
Insertion Module for Advanced Mate	<a href="#">0622020205</a>

Surface Mount Compatible (SMC) Yes  
Temperature Range - Operating -55°C to +105°C  
Termination Interface: Style Through Hole - Compliant Pin

### Electrical

Current - Maximum per Contact 3A  
Data Rate 3.125 Gbps  
Shield Type Ground Plane Shield  
Shielded Yes  
Voltage - Maximum 120V AC (RMS)/DC

### Material Info

### Reference - Drawing Numbers

Product Specification PS-74031-999  
Sales Drawing SD-74062-002

VHDM and Very High Density Metric are trademarks of Amphenol Corporation

Signal Header, 8-  
Row by 10-Wide,  
20.00mm  
Insertion Module 0622020209  
for Standard Shield  
Signal Header, 8-  
Row by 10-Wide,  
20.00mm

This document was generated on 01/03/2013

**PLEASE CHECK [WWW.MOLEX.COM](http://WWW.MOLEX.COM) FOR LATEST PART INFORMATION**