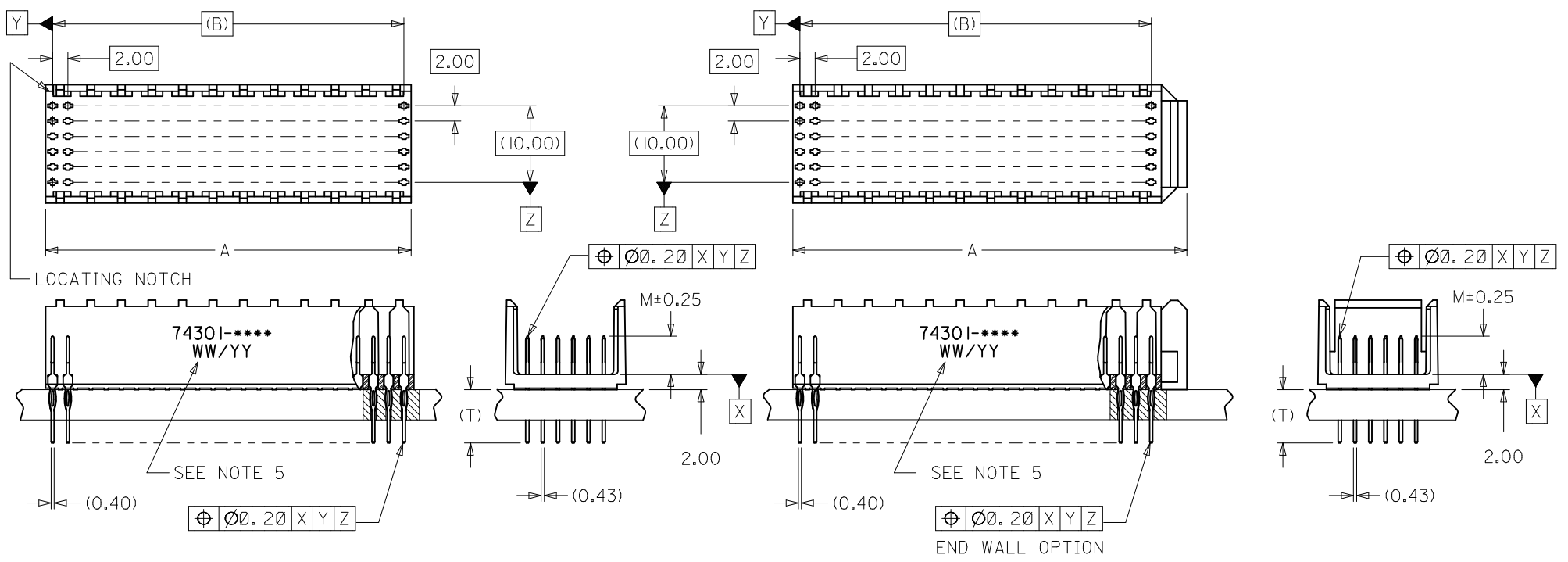


10 9 8 7 6 5 4 3 2 1

- NOTES:
1. MATERIALS: HOUSING - LIQUID CRYSTAL POLYMER (LCP)
GLASS-FILLED, UL 94V-0, COLOR: BLACK.
CONTACT - PHOSPHOR BRONZE.
 2. FINISH: SELECTIVE GOLD (Au) IN CONTACT AREA, 0.76 MICROMETERS MINIMUM THICKNESS;
SELECTIVE MATTE TIN (Sn) ON IN TAIL AREA.
NICKEL (Ni) OVERALL.
 3. THIS PART CONFORMS TO MOLEX PRODUCT SPECIFICATION PS-73670-9999.
 4. PACKAGE PER 70873-0868.
 5. PARTS MARKED WITH PART NUMBER AND DATE CODE ON EITHER SIDE,
APPROXIMATELY WHERE SHOWN.



LEAD FREE CONVERSION EC NO: UCP2013-3253 DRAWN: RWHIPPLE 2013/02/05 CHKD: MWOLFE 2013/02/05 APPR: SMILLER 2013/08/05	DESCRIPTION REV F	QUALITY SYMBOLS $\nabla F=0$ $\nabla E=0$ $\nabla F=0$	GENERAL TOLERANCES (UNLESS SPECIFIED) <table border="1"> <tr> <th></th> <th>mm</th> <th>INCH</th> </tr> <tr> <td>4 PLACES</td> <td>±---</td> <td>±---</td> </tr> <tr> <td>3 PLACES</td> <td>±---</td> <td>±---</td> </tr> <tr> <td>2 PLACES</td> <td>±0.05</td> <td>±---</td> </tr> <tr> <td>1 PLACE</td> <td>±0.10</td> <td>±---</td> </tr> <tr> <td>0 PLACE</td> <td>±---</td> <td>±---</td> </tr> </table>		mm	INCH	4 PLACES	±---	±---	3 PLACES	±---	±---	2 PLACES	±0.05	±---	1 PLACE	±0.10	±---	0 PLACE	±---	±---	DIMENSION STYLE MM ONLY	SCALE 2:1	DESIGN UNITS METRIC	THIRD ANGLE PROJECTION
			mm	INCH																					
		4 PLACES	±---	±---																					
		3 PLACES	±---	±---																					
2 PLACES	±0.05	±---																							
1 PLACE	±0.10	±---																							
0 PLACE	±---	±---																							
DRAWN BY RWHIPPLE	DATE 2013/02/05	TITLE SALES ASSEMBLY, HDM BACKPLANE CONNECTOR, EXTENDED TAIL VERSION																							
CHECKED BY SREED	DATE 99/01/21	molex																							
APPROVED BY SMILLER	DATE 2013/08/05	MATERIAL NO. SEE CHART	DOCUMENT NO. SD-74301-001	SHEET NO. 1 OF 3																					

ANGULAR ±1/2°
DRAFT WHERE APPLICABLE
MUST REMAIN WITHIN DIMENSIONS

SIZE B THIS DRAWING CONTAINS INFORMATION THAT IS PROPRIETARY TO MOLEX INCORPORATED AND SHOULD NOT BE USED WITHOUT WRITTEN PERMISSION

9 8 7 6 5 4 3 2 1

10 9 8 7 6 5 4 3 2 1

F

E

D

C

B

A

F

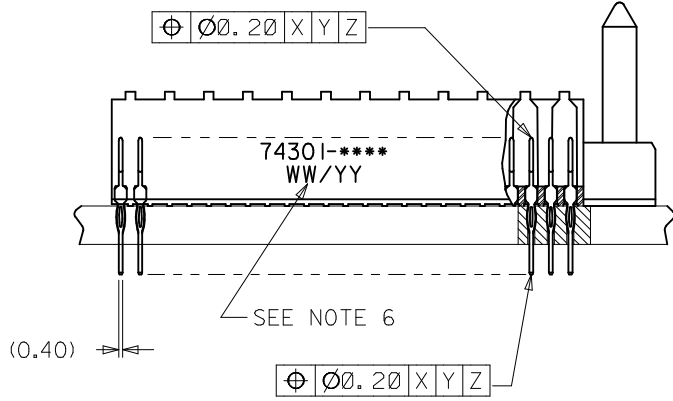
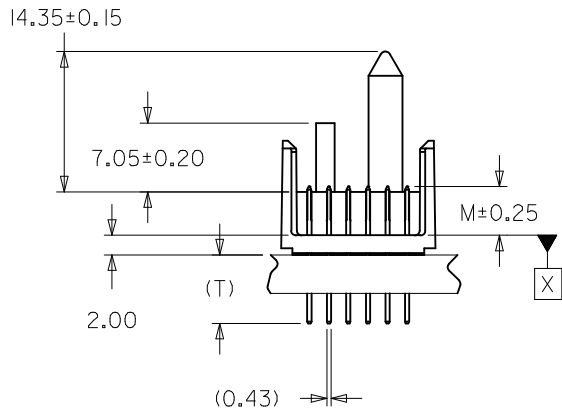
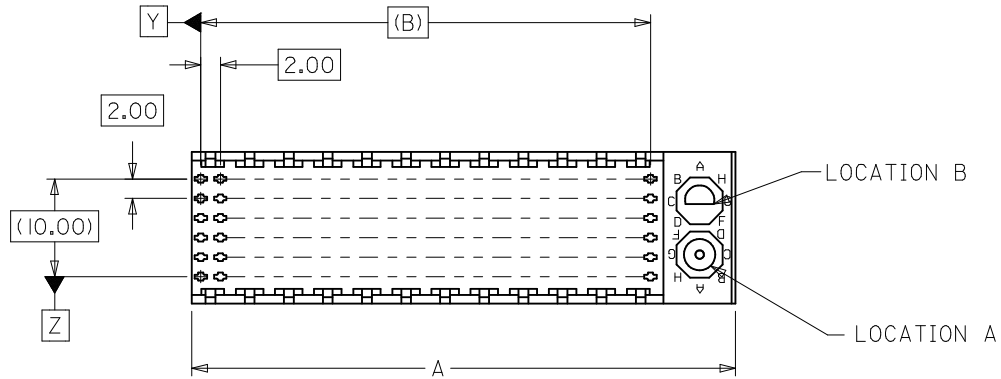
E

D

C

B

A



POLAR/GUIDE OPTION

SEE SHEET 1 EC NO: UCP2013-3253 DRAWN: RWHIPPLE 2013/02/05 CHKD: MWOLFE 2013/02/05 APPR: SMILLER 2013/08/05	QUALITY SYMBOLS ▽/0 ▽/0 ▽/0	GENERAL TOLERANCES (UNLESS SPECIFIED)		DIMENSION STYLE MM ONLY		SCALE 2:1	DESIGN UNITS METRIC	THIRD ANGLE PROJECTION		
				mm	INCH	DRAWN BY	DATE	TITLE SALES ASSEMBLY, HDM BACKPLANE CONNECTOR, EXTENDED TAIL VERSION		
		4 PLACES	± ---	± ---	RWHIPPLE	2013/02/05				
		3 PLACES	± ---	± ---	CHECKED BY	DATE	MATERIAL NO. SEE CHART			DOCUMENT NO. SD-74301-001
2 PLACES	± 0.05	± ---	SREED	99/01/21						
1 PLACE	± 0.10	± ---	APPROVED BY	DATE	THIS DRAWING CONTAINS INFORMATION THAT IS PROPRIETARY TO MOLEX INCORPORATED AND SHOULD NOT BE USED WITHOUT WRITTEN PERMISSION			SHEET NO. 2 OF 3		
0 PLACE	± ---	± ---	SMILLER	2013/08/05						
ANGULAR ±1/2° DRAFT WHERE APPLICABLE MUST REMAIN WITHIN DIMENSIONS				SIZE B						

9 8 7 6 5 4 3 2 1

10 9 8 7 6 5 4 3 2 1

MATERIAL NUMBER ASSIGNMENT

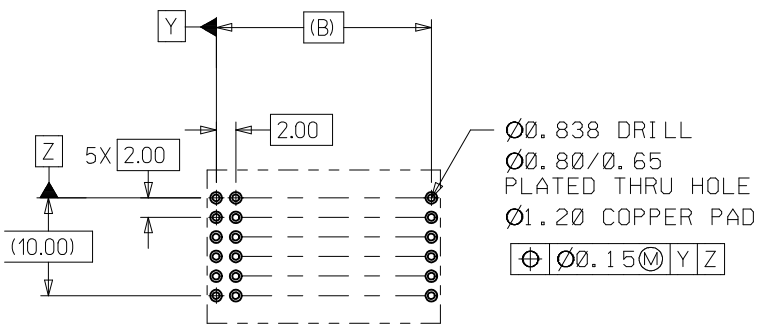
- 0 = 72-CIRCUIT OPEN END
- 1 = 144-CIRCUIT OPEN END
- 2 = 72-CIRCUIT END WALL
- 3 = 144-CIRCUIT END WALL
- 4 = 72-CIRCUIT POLAR/GUIDE
- 5 = 144-CIRCUIT POLAR/GUIDE

- 0 = 5.0mm MATING, 7.0mm TAIL
- 1 = 5.5mm MATING, 7.0mm TAIL
- 2 = 6.0mm MATING, 7.0mm TAIL

74301- * * * *

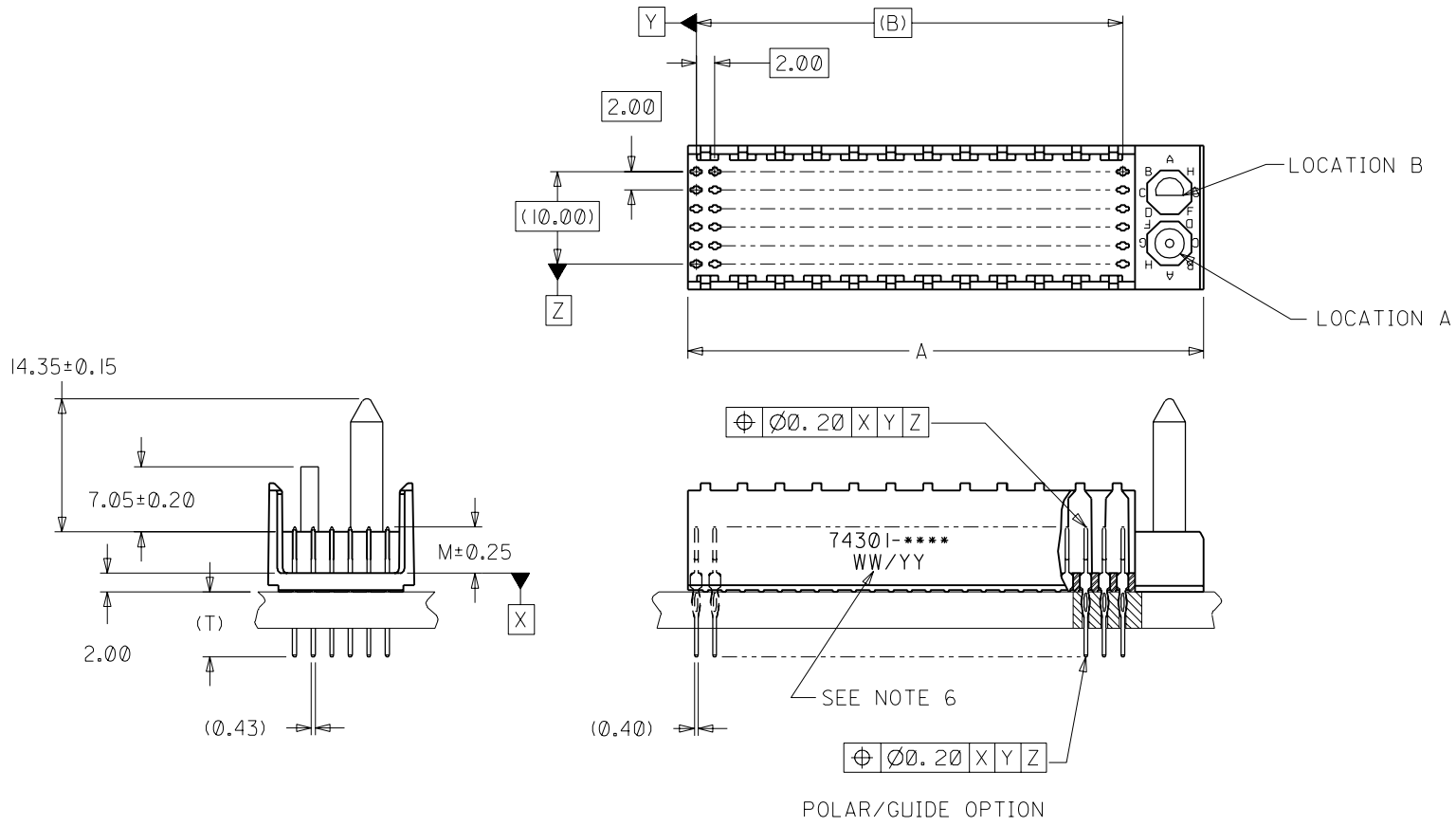
PART NUMBER	DIM A	DIM B	DIM M	DIM T
74301-0000	23.8	22.00	5.00	7.00
74301-0100	23.8	22.00	5.50	7.00
74301-0200	23.8	22.00	6.00	7.00
74301-1000	47.8	46.00	5.00	7.00
74301-1100	47.8	46.00	5.50	7.00
74301-1200	47.8	46.00	6.00	7.00
74301-2000	27.6	22.00	5.00	7.00
74301-2100	27.6	22.00	5.50	7.00
74301-2200	27.6	22.00	6.00	7.00
74301-3000	51.6	46.00	5.00	7.00
74301-3100	51.6	46.00	5.50	7.00
74301-3200	51.6	46.00	6.00	7.00
74301-40**	31.6	22.00	5.00	7.00
74301-41**	31.6	22.00	5.50	7.00
74301-42**	31.6	22.00	6.00	7.00
74301-50**	55.6	46.00	5.00	7.00
74301-51**	55.6	46.00	5.50	7.00
74301-52**	55.6	46.00	6.00	7.00

NUMBER	GUIDE POST LOCATION	POLAR KEY POSITION
00	N/A	N/A
01	B	A
02	A	A
03	B	B
04	A	B
05	B	C
06	A	C
07	B	D
08	A	D
09	B	E
10	A	E
11	B	F
12	A	F
13	B	G
14	A	G
15	B	H
16	A	H
17	B	N/A
18	A	N/A



SEE SHEET 1 EC NO: UCP2013-3253 DRWN: RWHPPL 2013/02/05 CHKD: MWOLF 2013/02/05 APPR: SMILLER 2013/08/05	QUALITY SYMBOLS	GENERAL TOLERANCES (UNLESS SPECIFIED)	DIMENSION STYLE	SCALE	DESIGN UNITS	THIRD ANGLE PROJECTION
	▽=0	4 PLACES ± --- ± ---	MM ONLY	2:1	METRIC	
	▽=0	3 PLACES ± --- ± ---	DRAWN BY DATE			TITLE
	▽=0	2 PLACES ± 0.05 ± ---	RWHPPL 2013/02/05			SALES ASSEMBLY, HDM BACKPLANE CONNECTOR, EXTENDED TAIL VERSION
		1 PLACE ± 0.10 ± ---	CHECKED BY DATE			
		0 PLACE ± --- ± ---	SREED 99/01/21			
			APPROVED BY DATE			
			SMILLER 2013/08/05			
			MATERIAL NO.		DOCUMENT NO.	SHEET NO.
			SEE CHART		SD-74301-001	3 OF 3
			SIZE B	THIS DRAWING CONTAINS INFORMATION THAT IS PROPRIETARY TO MOLEX INCORPORATED AND SHOULD NOT BE USED WITHOUT WRITTEN PERMISSION		

9 8 7 6 5 4 3 2 1



SEE SHEET 1 EC NO. UDT2000-0413 DRWN: JBINGHAM 99/11/02 CHK: SREED 99/11/02 APPR: CBIXLER 99/11/02	QUALITY SYMBOLS MAJOR $\blacktriangledown = 0$ CRITICAL $\blacktriangledown = 0$	GENERAL TOLERANCES: (UNLESS SPECIFIED)		SCALE 2 : 1	DESIGN UNITS <input checked="" type="checkbox"/> mm <input type="checkbox"/> INCH	DIMENSIONS: <input type="checkbox"/> mm <input type="checkbox"/> INCH <input checked="" type="checkbox"/> mm ONLY	SHT 2 REV 1		
		4 PLACES $\pm 0.$	3 PLACES $\pm 0.$	2 PLACES ± 0.05	1 PLACE ± 0.10	DRAWN BY & DATE JBINGHAM 99/01/21	CHECKED BY & DATE SREED 99/01/21	APPROVED BY & DATE CBIXLER 99/01/21	TITLE: SALES ASSEMBLY, HDM BACKPLANE CONNECTOR EXTENDED TAIL VERSION
		ANGULAR: $\pm 1/2^\circ$		CAD FILENAME S74301X2.DGN		MATERIAL NO. SEE CHART		DRAWING NO. SD-74301-001	
		DRAFT WHERE APPLICABLE MUST REMAIN WITHIN DIMENSIONS				THIS DRAWING CONTAINS INFORMATION THAT IS PROPRIETARY TO MOLEX INCORPORATED AND SHOULD NOT BE USED WITHOUT WRITTEN PERMISSION.			

MATERIAL NUMBER ASSIGNMENT

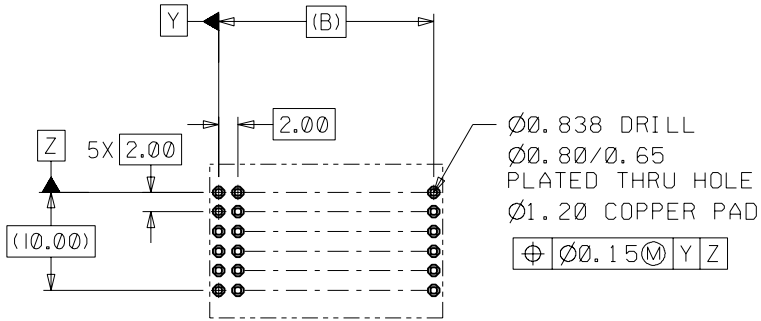
0 = 72-CIRCUIT OPEN END
 1 = 144-CIRCUIT OPEN END
 2 = 72-CIRCUIT END WALL
 3 = 144-CIRCUIT END WALL
 4 = 72-CIRCUIT POALR/GUIDE
 5 = 144-CIRCUIT POLAR/GUIDE

0 = 5.0mm MATING, 7.0mm TAIL
 1 = 5.5mm MATING, 7.0mm TAIL
 2 = 6.0mm MATING, 7.0mm TAIL

74301- * * * *

PART NUMBER	DIM A	DIM B	DIM M	DIM T
74301-0000	23.8	22.00	5.00	7.00
74301-0100	23.8	22.00	5.50	7.00
74301-0200	23.8	22.00	6.00	7.00
74301-1000	47.8	46.00	5.00	7.00
74301-1100	47.8	46.00	5.50	7.00
74301-1200	47.8	46.00	6.00	7.00
74301-2000	27.6	22.00	5.00	7.00
74301-2100	27.6	22.00	5.50	7.00
74301-2200	27.6	22.00	6.00	7.00
74301-3000	51.6	46.00	5.00	7.00
74301-3100	51.6	46.00	5.50	7.00
74301-3200	51.6	46.00	6.00	7.00
74301-40**	31.6	22.00	5.00	7.00
74301-41**	31.6	22.00	5.50	7.00
74301-42**	31.6	22.00	6.00	7.00
74301-50**	55.6	46.00	5.00	7.00
74301-51**	55.6	46.00	5.50	7.00
74301-52**	55.6	46.00	6.00	7.00

NUMBER	GUIDE POST LOCATION	POLAR KEY POSITION
00	N/A	N/A
01	B	A
02	A	A
03	B	B
04	A	B
05	B	C
06	A	C
07	B	D
08	A	D
09	B	E
10	A	E
11	B	F
12	A	F
13	B	G
14	A	G
15	B	H
16	A	H
17	B	N/A
18	A	N/A



PCB LAYOUT: COMPONENT SIDE
RECOMMENDED PCB THICKNESS: 2.50 MIN.

SEE SHEET 1
 EC NO. LDT2000-0413
 DRWNS:JBINGHAM 99/11/02
 CHK: SREED 99/11/02
 APPR:CBIXLER 99/11/02

QUALITY SYMBOLS
 MAJOR = 0
 CRITICAL = 0

GENERAL TOLERANCES:
 (UNLESS SPECIFIED)
 4 PLACES ±0.
 3 PLACES ±0.
 2 PLACES ±0.05
 1 PLACE ±0.10
 ANGULAR: ± 1/2°
 DRAFT WHERE APPLICABLE MUST REMAIN WITHIN DIMENSIONS

SCALE 2 : 1
 DESIGN UNITS mm INCH
 DRAWN BY & DATE
 JBINGHAM 99/01/21
 CHECKED BY & DATE
 SREED 99/01/21
 APPROVED BY & DATE
 CBIXLER 99/01/21
 CAD FILENAME
 S74301X3.DGN

DIMENSIONS:
 mm INCH mm ONLY
 THIRD ANGLE PROJECTION
 TITLE: SALES ASSEMBLY, HDM BACKPLANE CONNECTOR EXTENDED TAIL VERSION
 MOLEX INCORPORATED
 MATERIAL NO. SEE CHART
 DRAWING NO. SD-74301-001
 SHEET NO. 3
 THIS DRAWING CONTAINS INFORMATION THAT IS PROPRIETARY TO MOLEX INCORPORATED AND SHOULD NOT BE USED WITHOUT WRITTEN PERMISSION.