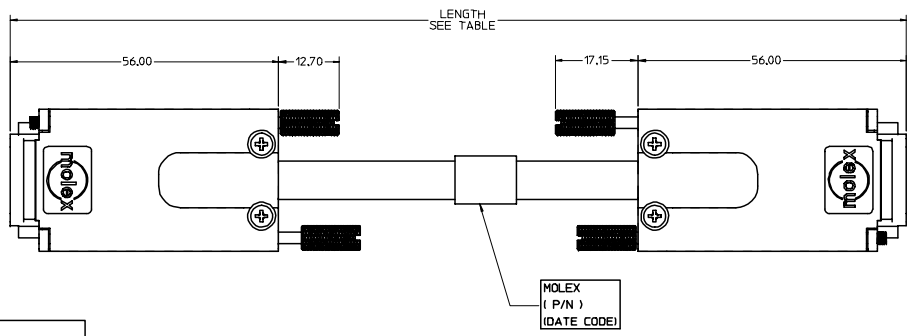
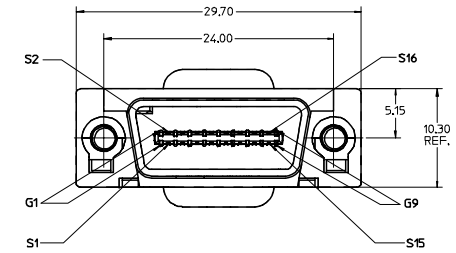
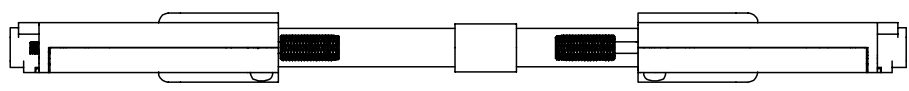
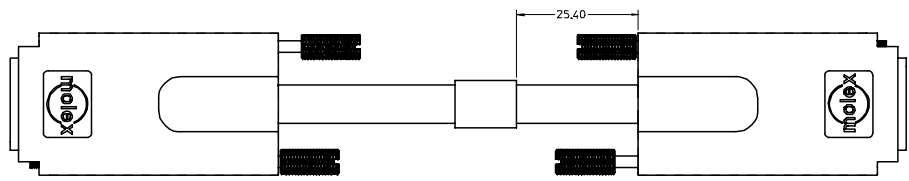


20 19 18 17 16 15 14 13 12 11 74527 9 8 7 6 5 4 3 2 1

NOTES
 1. MATERIAL
 HOUSINGS - ZINC DIE CAST
 CONTACTS Au FLASH OVER NI PLATING
 CABLE - SEE MOLEX SD-7153-xxxx
 2. CHARACTERISTIC IMPEDANCE 100 OHMS DIFFERENTIALLY



MATERIAL #	DESCRIPTION	LENGTH(+0.06M)
74527-3001	SAS 4X CABLE ASSY, PLUG TO PLUG, 28AWG	0.50M+0.03M
74527-3002	SAS 4X CABLE ASSY, PLUG TO PLUG, 28AWG	1M+0.03M
74527-3003	SAS 4X CABLE ASSY, PLUG TO PLUG, 28AWG	2M
74527-3004	SAS 4X CABLE ASSY, PLUG TO PLUG, 28AWG	3M
74527-3005	SAS 4X CABLE ASSY, PLUG TO PLUG, 28AWG	4M
74527-3006	SAS 4X CABLE ASSY, PLUG TO PLUG, 26AWG	5M
74527-3007	SAS 4X CABLE ASSY, PLUG TO PLUG, 26AWG	6M
74527-3008	SAS 4X CABLE ASSY, PLUG TO PLUG, 24AWG	7M
74527-3009	SAS 4X CABLE ASSY, PLUG TO PLUG, 24AWG	8M
74527-3101	SAS 4X EQUALIZED CABLE ASSY, PLUG/PLUG, 26AWG	6M
74527-3102	SAS 4X EQUALIZED CABLE ASSY, PLUG/PLUG, 24AWG	8M
74527-3103	SAS 4X EQUALIZED CABLE ASSY, PLUG/PLUG, 24AWG	10M

WIRING DIAGRAM			
PLUG 1		PLUG 2	
PIN NUMBER	SIGNAL	PIN NUMBER	SIGNAL
G1-G9	Signal Ground	G1-G9	Signal Ground
S1	Rx0+	S16	Tx0+
S2	Rx0-	S15	Tx0-
S3	Rx1+	S14	Tx1+
S4	Rx1-	S13	Tx1-
S5	Rx2+	S12	Tx2+
S6	Rx2-	S11	Tx2-
S7	Rx3+	S10	Tx3+
S8	Rx3-	S9	Tx3-
S9	Tx3+	S8	Rx3-
S10	Tx3-	S7	Rx3+
S11	Tx2-	S6	Rx2-
S12	Tx2+	S5	Rx2+
S13	Tx1-	S4	Rx1-
S14	Tx1+	S3	Rx1+
S15	Tx0-	S2	Rx0-
S16	Tx0+	S1	Rx0+

EC NO: USY2005-0023 DRW:KPHAM 2004/08/25 CHK:DDOYE 2004/10/01 APPR:DDOYE 2004/10/05 REV DESCRIPTION	QUALITY SYMBOLS	GENERAL TOLERANCES (UNLESS SPECIFIED)	SCALE 2:1	DESIGN UNITS METRIC	THIRD ANGLE PROJECTION	REVISE ON CAD ONLY	
	4 PLACES ±--- ±--- 3 PLACES ±--- ±--- 2 PLACES ±0.13 ±--- 1 PLACE ±0.25 ±---	DIMENSION STYLE MM ONLY DRAWN BY KPHAM DATE 2004/07/30 CHECKED BY DDOYE DATE 2004/07/30 APPROVED BY DDOYE DATE 2004/07/30	ANGULAR ±1/2° DRAFT WHERE APPLICABLE MUST REMAIN WITHIN DIMENSIONS	TITLE SAS 4X CABLE ASSY PLUG TO PLUG MOLEX MOLEX INCORPORATED MATERIAL NO. SEE TABLE DOCUMENT NO. SD-74527-3001 SHEET NO. 1 OF 1 THIS DRAWING CONTAINS INFORMATION THAT IS PROPRIETARY TO MOLEX INCORPORATED AND SHOULD NOT BE USED WITHOUT WRITTEN PERMISSION			

19 18 17 16 15 14 13 12 11 10 9 8 7 6 5 4 3 2 1