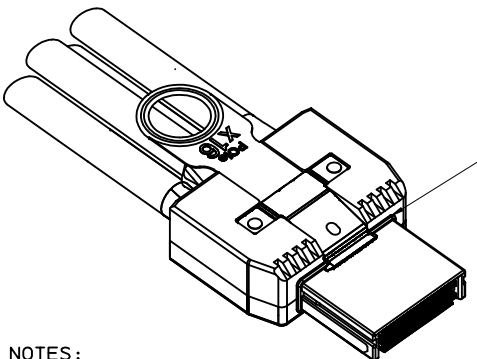
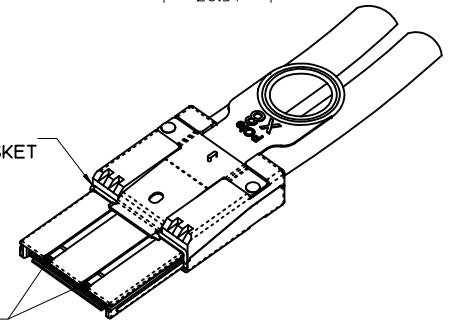


MOLEX P/N	DESCRIPTION	LENGTH	TOLERANCE	AWG	JACKET RATING
745464180	16X TO (2) 8X PCIe	0.5M	±0.025M	28	VW1
745464181	16X TO (2) 8X PCIe	1M	±0.025M	28	VW1
745464182	16X TO (2) 8X PCIe	2M	±0.025M	28	VW1
745464183	16X TO (2) 8X PCIe	3M	±0.025M	28	VW1



EMI GASKET



EMI GASKET

KEYS

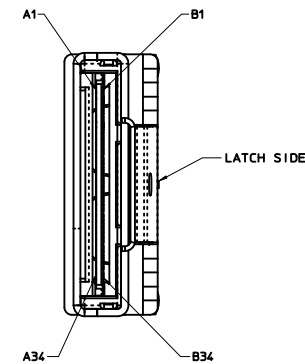
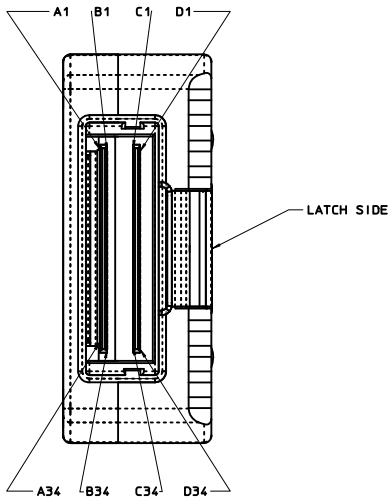
- NOTES:
- MATERIAL - BACKSHELLS - ZINC DIECAST
PULL - NYLON
CABLE JACKET - SEE TABLE
 - LENGTH AND TOLERANCE - SEE TABLE
 - ELECTRICAL PERFORMANCE PER PCI EXPRESS EXTERNAL CABLING SPEC. REV 1.0
 - X16 PLUG MATES TO RECEPTACLE - EMI GUIDE HOUSING ASSY. 75581-0001 - X8 PLUG MATES TO RECEPTACLE 755860002 AND EMI HOUSING ASSY. 745400100
 - THIS PRODUCT MEETS THE RESTRICTION OF HAZARDOUS SUBSTANCES IN ELECTRICAL AND ELECTRONIC EQUIPMENT (RoHS) DIRECTIVE (2002/95/EC)

iPass™ is a trademark of Molex

REVISED PINOUT EC NO: USY2011-0258 DRWN: JERWIN 2010/10/12 CHKD: KWEBER 2010/10/14 APPR: DDOYE 2010/10/18	QUALITY SYMBOLS ▽=0 ▽=0	GENERAL TOLERANCES (UNLESS SPECIFIED)		DIMENSION STYLE MM ONLY		SCALE 1:1	DESIGN UNITS METRIC	THIRD ANGLE PROJECTION	
		4 PLACES ± --- ± ---	3 PLACES ± --- ± ---	2 PLACES ± 0.13 ± ---	1 PLACE ± 0.25 ± ---	mm INCH	DRAWN BY DATE JERWIN 2009/07/08	CHECKED BY DATE KWEBER 2009/07/08	TITLE I-PASS X16 TO (2)X8 SPLITTER CABLE ASSEMBLY
		ANGULAR ±1/2°		APPROVED BY DATE DDOYE 2010/10/18		MATERIAL NO. SEE TABLE	MOLEX INCORPORATED		
		DRAFT WHERE APPLICABLE MUST REMAIN WITHIN DIMENSIONS		SIZE SEE TABLE		DOCUMENT NO. SD-74546-4180	SHEET NO. 1 OF 3		

THIS DRAWING CONTAINS INFORMATION THAT IS PROPRIETARY TO MOLEX INCORPORATED AND SHOULD NOT BE USED WITHOUT WRITTEN PERMISSION

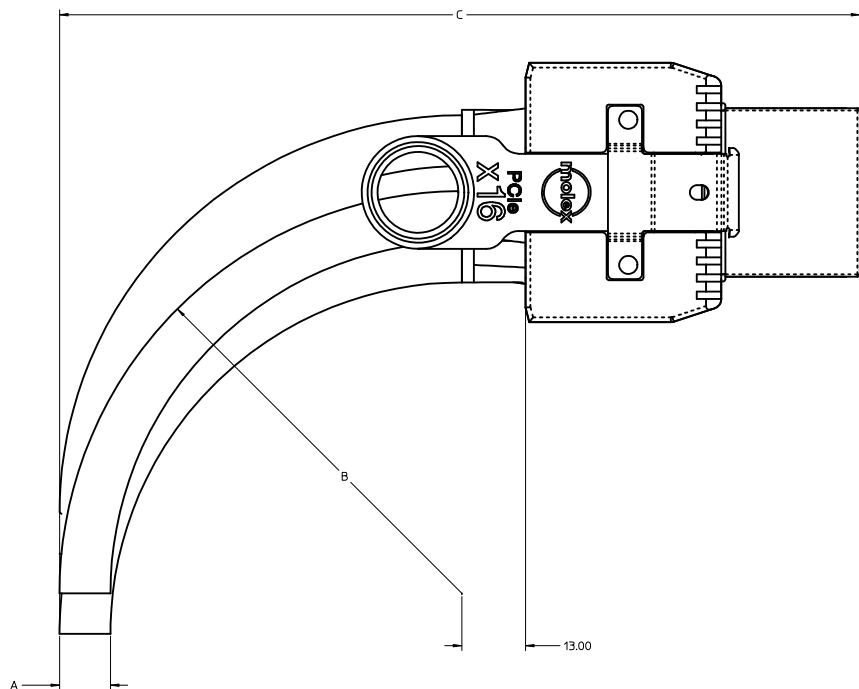
X16		X8		X16		X8	
P3	PIN	PIN	P1	P3	PIN	PIN	P2
SIGNAL		A01	GND	SIGNAL		A01	GND
GND	B01	A02	PETp0	GND	D01	A02	PETp8
PERp0	B02	A03	PETn0	PERp8	D02	A03	PETn8
PERn0	B03	A04	GND	PERn8	D03	A04	GND
GND	B04	A05	PETp1	GND	D04	A05	PETp9
PERp1	B05	A06	PETn1	PERp9	D05	A06	PETn9
PERn1	B06	A07	GND	PERn9	D06	A07	GND
GND	B07	A08	PETp2	GND	D07	A08	PETp10
PERp2	B08	A09	PETn2	PERp10	D08	A09	PETn10
PERn2	B09	A10	GND	PERn10	D09	A10	GND
GND	B10	A11	PETp3	GND	D10	A11	PETp11
PERp3	B11	A12	PETn3	PERp11	D11	A12	PETn11
PERn3	B12	A13	GND	PERn11	D12	A13	GND
GND	B13	A14	uREFCLKp	GND	D13	A14	dREFCLKp
uREFCLKp	A19	A15	uREFCLKn	dREFCLKp	C19	A15	dREFCLKn
uREFCLKn	A20	A16	GND	dREFCLKn	C20	A16	GND
NC	B14	A17	NC	GND	C18	A17	NC
NC	B34	A18	NC	NC	D14	A18	NC
NC		A19	uSB_RTn	NC	D34	A19	dSB_RTn
uSB_RTn	A17	A20	uCPRSNT#	uSB_RTn	C17	A20	dCPRSNT#
uCPRSNT#	B19	A21	uCPWRON	dCPRSNT#	D19	A21	dCPRSNT#
uCPWRON	B17	A22	GND	dCPWRON	D17	A22	dCPWRON
GND	B21	A23	PETp4	GND	D21	A23	PETp12
PERp4	B22	A24	PETn4	PERp12	D22	A24	PETn12
PERn4	B23	A25	GND	PERn12	D23	A25	GND
GND	B24	A26	PETp5	GND	D24	A26	PETp13
PERp5	B25	A27	PETn5	PERp13	D25	A27	PETn13
PERn5	B26	A28	GND	PERn13	D26	A28	GND
GND	B27	A29	PETp6	GND	D27	A29	PETp14
PERp6	B28	A30	PETn6	PERp14	D28	A30	PETn14
PERn6	B29	A31	GND	PERn14	D29	A31	GND
GND	B30	A32	PETp7	GND	D30	A32	PETp15
PERp7	B31	A33	PETn7	PERp15	D31	A33	PETn15
PERn7	B32	A34	GND	PERn15	D32	A34	GND
GND	B33	B20	dCWAKE#	GND	D33	B20	dCWAKE#
uCWAKE#	B18	B21	uCPERST#	dCWAKE#	D18	B21	dCWAKE#
uCPERST#	B20	B01	GND	dCPERST#	D20	B01	GND
GND	A01	B02	PERp0	GND	C01	B02	PERp0
PETp0	A02	B03	PERn0	PETp8	C02	B03	PERn0
PETn0	A03	B04	GND	PETn8	C03	B04	GND
GND	A04	B05	PETp1	GND	C04	B05	PETp9
PETp1	A05	B06	PERn1	PETp9	C05	B06	PERn9
PETn1	A06	B07	GND	PETn9	C06	B07	GND
GND	A07	B08	PERp2	GND	C07	B08	PERp10
PETp2	A08	B09	PERn2	PERp10	C08	B09	PERn10
PETn2	A09	B10	GND	PERn10	C09	B10	GND
GND	A10	B11	PERp3	GND	C10	B11	PERp11
PETp3	A11	B12	PERn3	PETp11	C11	B12	PERn11
PETn3	A12	B13	GND	PERn11	C12	B13	GND
GND	A13	B14	NC	GND	C13	B14	NC
NC	A14	B15	NC	NC	C14	B15	NC
NC	A15	B16	NC	NC	C15	B16	NC
NC	A16	B17	NC	NC	C16	B17	NC
NC	A17	B18	NC	NC	C17	B18	NC
NC	A18	B19	NC	NC	C18	B19	NC
NC	A19	B22	GND	NC	C34	B22	GND
NC	A20	B23	PERp4	GND	C21	B23	PERp12
GND	A21	B24	PERn4	PERp12	C22	B24	PERn12
PETp4	A22	B25	GND	PERn12	C23	B25	GND
PETn4	A23	B26	PERp5	GND	C24	B26	PERp13
GND	A24	B27	PERn5	PERp13	C25	B27	PERn13
PETp5	A25	B28	GND	PERn13	C26	B28	GND
PETn5	A26	B29	PERp6	GND	C27	B29	PERp14
GND	A27	B30	PERn6	PERp14	C28	B30	PERn14
PERp6	A28	B31	GND	PERn14	C29	B31	GND
PERn6	A29	B32	PERp7	GND	C30	B32	PERp15
GND	A30	B33	PERn7	PERp15	C31	B33	PERn15
PETp7	A31	B34	GND	PERn15	C32	B34	GND
PETn7	A32			GND	C33		
GND	A33						



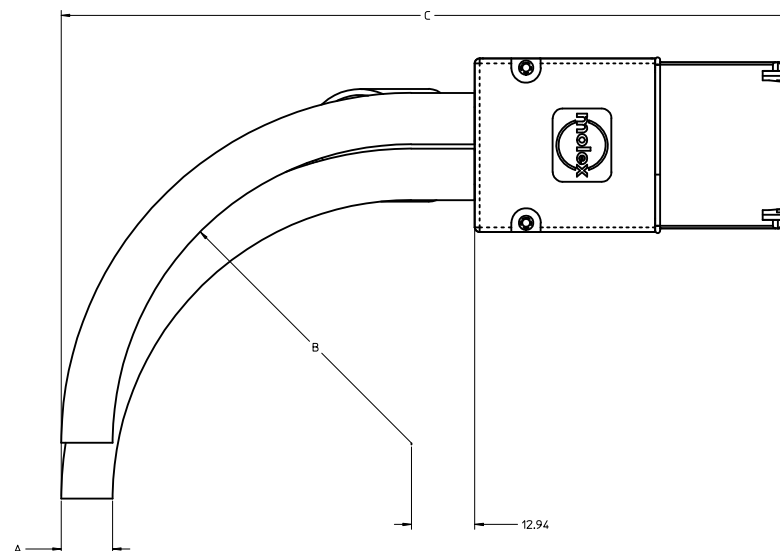
IPASS™ IS A TRADEMARK OF MOLEX

REVISED PINOUT IEC NO.: USY2011-0258 DRAWN BY: JERWIN CHYKOWEBER APPROVED BY: DDOYDE DATE: 2010/10/18	QUALITY SYMBOLS ▽=0 ▽=0	GENERAL TOLERANCES (UNLESS SPECIFIED) 4 PLACES ±.05 INCH 3 PLACES ±.03 INCH 2 PLACES ±.013 INCH 1 PLACE ±.025 INCH ANGULAR ±1/2°	DIMENSION STYLE MM ONLY SCALE 3:1 DESIGN UNITS METRIC THIRD ANGLE PROJECTION	DATE 2009/07/08 DATE 2009/07/08 DATE 2010/10/18	TITLE I-PASS X16 TO (2)X8 SPLITTER CABLE ASSEMBLY	MATERIAL NO. SEE TABLE DOCUMENT NO. SD-74546-4180	SHEET NO. 2 OF 3
	DRAFT WHERE APPLICABLE MUST REMAIN WITHIN DIMENSIONS						
	THIS DRAWING CONTAINS INFORMATION THAT IS PROPRIETARY TO MOLEX INCORPORATED AND SHOULD NOT BE USED WITHOUT WRITTEN PERMISSION						
	MOLEX INCORPORATED						

20 19 18 17 16 15 14 13 12 11 10 9 8 7 6 5 4 3 2 1



CABLE GAGE		28
A. CABLE DIAMETER		8.4
B. MINIMUM OUTER RADIUS		37.7
C. FACEPLATE TO OUTER RADIUS		93.0



CABLE GAGE		28
A. CABLE DIAMETER		8.4
B. MINIMUM OUTER RADIUS		37.7
C. FACEPLATE TO OUTER RADIUS		93.0

REVISED PINOUT IEC NO. USY2011-02258 DRAWN: JERWIN 2010/10/12 CHECKED: CHYD KWEBER 2010/10/14 APPR: DDOYE 2010/10/18 REV DESCRIPTION	QUALITY SYMBOLS	GENERAL TOLERANCES (UNLESS SPECIFIED)	DIMENSION STYLE	SCALE	DESIGN UNITS	THIRD ANGLE PROJECTION
	▽=0 ▽=0	mm INCH 4 PLACES ± --- ± --- 3 PLACES ± --- ± --- 2 PLACES ± 0.13 ± --- 1 PLACE ± 0.25 ± --- ANGULAR ± 1/2°	MM ONLY	2:1	METRIC	☉ THIRD ANGLE PROJECTION
	DRAFT WHERE APPLICABLE MUST REMAIN WITHIN DIMENSIONS	DRAWN BY: JERWIN DATE: 2009/07/08 CHECKED BY: KWEBER DATE: 2009/07/08 APPROVED BY: DDOYE DATE: 2010/10/18	MATERIAL NO. SEE TABLE	TITLE I-PASS X16 TO (2)X8 SPLITTER CABLE ASSEMBLY	MOLEX INCORPORATED	SHEET NO. 3 OF 3
	SIZE D	DOCUMENT NO. SD-74546-4180	THIS DRAWING CONTAINS INFORMATION THAT IS PROPRIETARY TO MOLEX INCORPORATED AND SHOULD NOT BE USED WITHOUT WRITTEN PERMISSION			

19 18 17 16 15 14 13 12 11 10 9 8 7 6 5 4 3 2 1