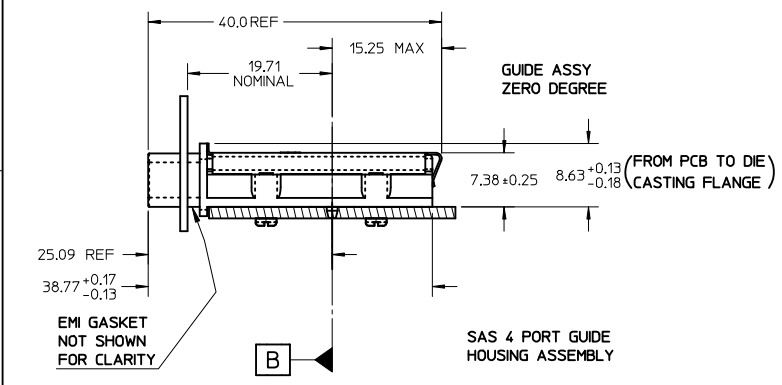


- NOTES:
1. PCB AND BRACKET SHOWN FOR REFERENCE ONLY.
 2. REF. SD-74547-100 FOR KEY POSITIONS
 3. GUIDE HOUSING MOUNTING THREAD= M2 X 0.40. SEE SHEET 3 FOR SCREW LENGTH + TORQUE SPEC.
 4. PLATE GROUND PAD WITH EMERSION SILVER OR GOLD.
 5. MATERIAL:
GUIDE HOUSING - ZINC DIECAST, NICKEL PLATED
COVER - STAINLESS STEEL
 6. NO RoHS EXEMPTIONS.
 7. GUIDE HOUSING PEGS FOR ALIGNMENT ONLY, DO NOT SOLDER.

PART NUMBER	PORT SIZE	SW	OAW	KEY(S) PORT1	KEY(S) PORT2	KEY(S) PORT3	KEY(S) PORT4	IDENTIFIERS
745480200	4	76.30	80.00	1	1	1	1	SATA - 'X' CABLES
745480203	4	76.30	80.00	2,4	2,4	2,4	2,4	SAS OUT PORT/END DEVICE
745480204	4	76.30	80.00	4,6	4,6	4,6	4,6	SAS IN PORT/END DEVICE
745480205	4	76.30	80.00	4	4	4	4	SAS UNIVERSAL PORT
745480212	4	76.30	80.00	7	7	7	7	SATA - 'M' CABLES
745480217	4	76.30	80.00	2	2	2	2	SAS - OUT PORT
745480220	4	76.30	80.00	6	6	6	6	SAS - IN PORT
745480304	4	76.30	80.00	2,7	2,7	2,7	2,7	CX4
745480401	4	76.29	79.99	2,6	4	4	4	CUSTOM

IPASS IS A TRADE MARK OF MOLEX.



SEE REVISION TABLE EC NO: CPG2015-0132 DRWN:SYANG16 2013/09/27 CHK:EWANG07 2014/08/15 APPR:RCHEN08 2014/08/19	QUALITY SYMBOLS ▽=0 ▽=0 ▽=0	GENERAL TOLERANCES (UNLESS SPECIFIED) mm INCH 4 PLACES ± --- ± --- 3 PLACES ± --- ± --- 2 PLACES ± 0.13 ± --- 1 PLACE ± 0.25 ± --- 0 PLACE ± ±	DIMENSION STYLE MM ONLY DRAWN BY SNAVARRO DATE 2006/05/26 CHECKED BY BREED DATE 2006/05/26 APPROVED BY DDOYE DATE 2006/05/26	SCALE 1:1 DESIGN UNITS METRIC THIRD ANGLE PROJECTION	TITLE I-PASS 26 CKT ZERO DEG. EMI GUIDE RAIL HOUSING ASSEMBLY, MULTI PORT DOCUMENT NO. SD-74548-200 SHEET NO. 1 OF 4
	ANGULAR ±1/2° DRAFT WHERE APPLICABLE MUST REMAIN WITHIN DIMENSIONS	MATERIAL NO. SEE TABLE	MATERIAL NO. SEE TABLE		
	SIZE B	THIS DRAWING CONTAINS INFORMATION THAT IS PROPRIETARY TO MOLEX INCORPORATED AND SHOULD NOT BE USED WITHOUT WRITTEN PERMISSION	THIS DRAWING CONTAINS INFORMATION THAT IS PROPRIETARY TO MOLEX INCORPORATED AND SHOULD NOT BE USED WITHOUT WRITTEN PERMISSION		
	SEE SHEET 3 FOR GROUND PAD ALLEY SPACING USING M2X0.4 FLAT HEAD OR BUTTON HEAD SCREWS	REF. SD-75586-001 FOR RECEPTACLE AND PCB LAYOUT INFORMATION	REF. SHEET 3 FOR GROUND PAD ALLEY LAYOUT INFORMATION		

10 9 8 7 6 5 4 3 2 1

F

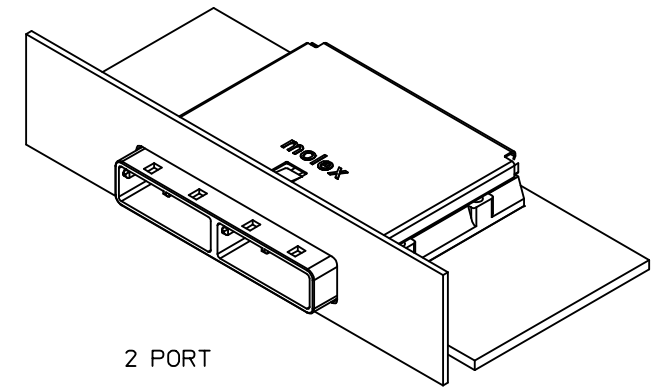
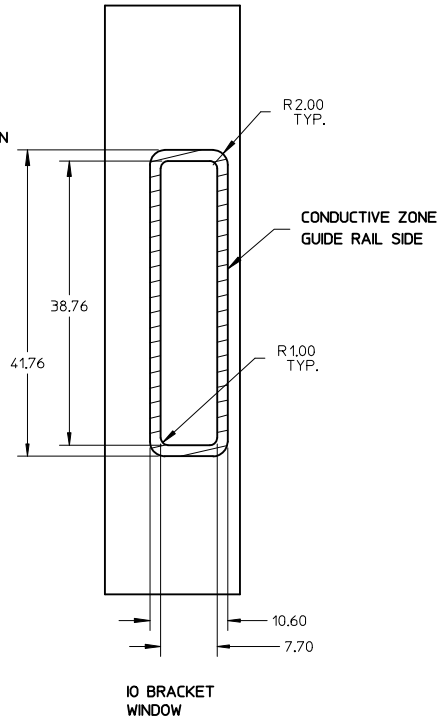
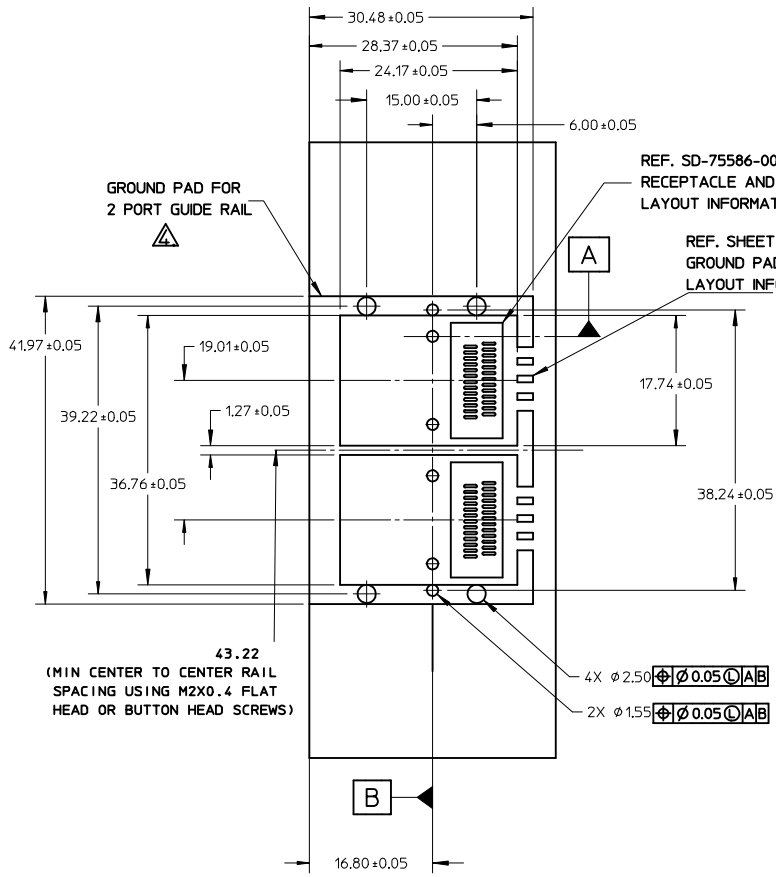
E

D

C

B

A

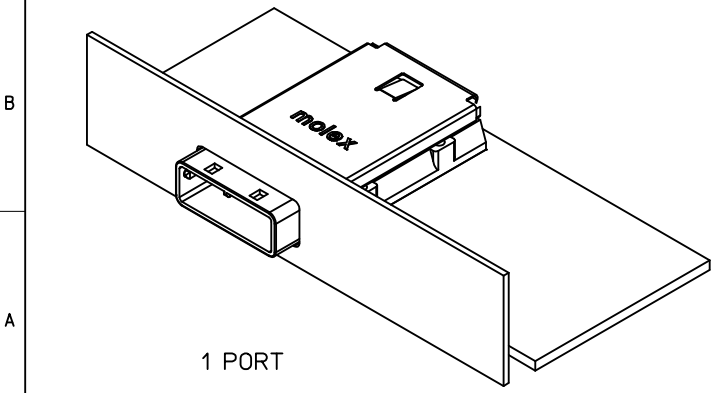
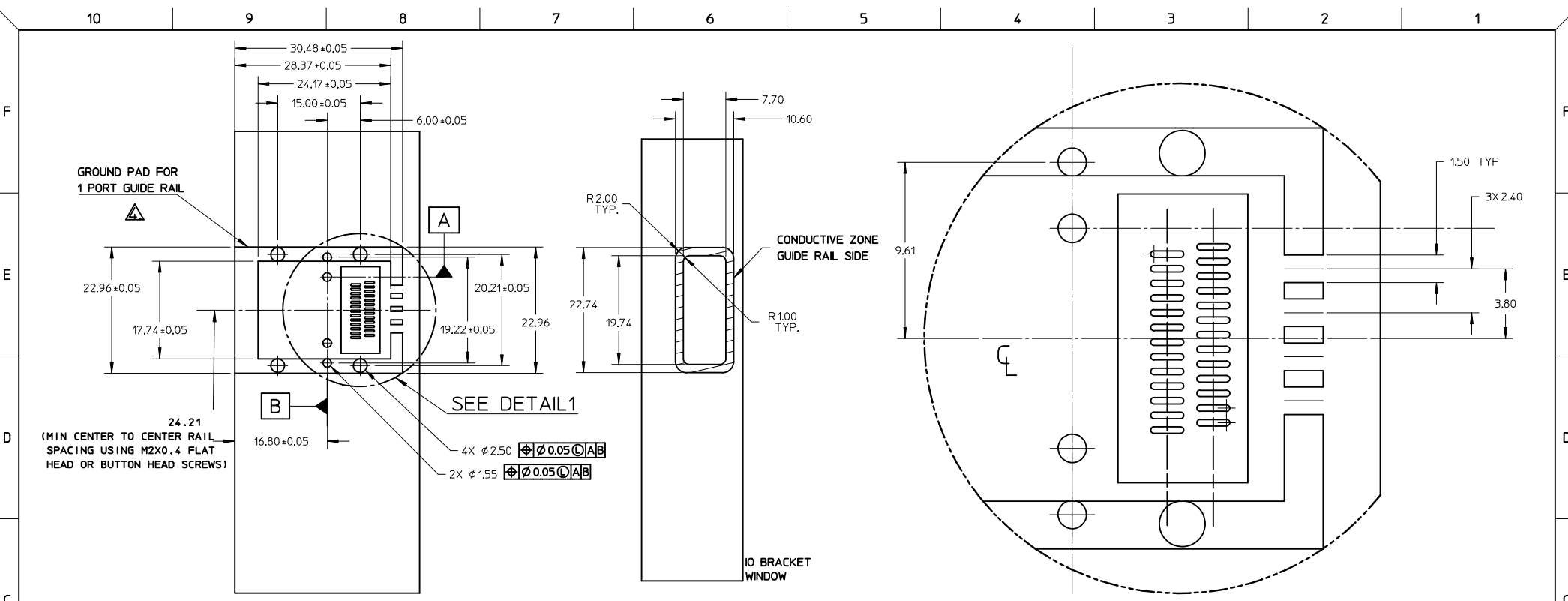


PART NUMBER	PORT SIZE	SW	OAW	KEY(S) PORT1	KEY(S) PORT2	IDENTIFIERS
745480202	2	38.26	41.96	1	1	SATA - 'X' CABLES
745480206	2	38.26	41.96	2,4	2,4	SAS OUT PORT/END DEVICE
745480207	2	38.26	41.96	4,6	4,6	SAS IN PORT/END DEVICE
745480208	2	38.26	41.96	4	4	SAS UNIVERSAL PORT
745480213	2	38.26	41.96	7	7	SATA - 'M' CABLES
745480215	2	38.26	41.96	4,6	2,4	SAS IN PORT - SAS OUT PORT
745480216	2	38.26	41.96	2,4	4,6	SAS OUT PORT - SAS IN PORT
745480218	2	38.26	41.96	2	2	SAS - IN PORT
745480221	2	38.26	41.96	6	6	SAS - OUT PORT
745480224	2	38.26	41.96	3	3	SRIO

I-PASS IS A TRADE MARK OF MOLEX.

SEE REVISION TABLE EC NO: CPG2015-0132 DRWN: SYANG16 2013/09/27 CHKD: WANG07 2014/08/15 APPR: RCHEN08 2014/08/19	QUALITY SYMBOLS	GENERAL TOLERANCES (UNLESS SPECIFIED)	DIMENSION STYLE	SCALE	DESIGN UNITS	THIRD ANGLE PROJECTION
	$\nabla = 0$ $\nabla = 0$ $\nabla = 0$	mm INCH 4 PLACES ± --- ± --- 3 PLACES ± --- ± --- 2 PLACES ± 0.13 ± --- 1 PLACE ± 0.25 ± --- 0 PLACE ± ±	MM ONLY	1:1	METRIC	DRAWN BY DATE SNAVARRO 2006/05/26 CHECKED BY DATE BREED 2006/05/26 APPROVED BY DATE DDOYE 2006/05/26
	ANGULAR ±1/2° DRAFT WHERE APPLICABLE MUST REMAIN WITHIN DIMENSIONS	MATERIAL NO.	DOCUMENT NO.	TITLE I-PASS 26 CKT ZERO DEG. EMI GUIDE RAIL HOUSING ASSEMBLY, MULTI PORT		
	SEE TABLE SIZE B	SEE TABLE THIS DRAWING CONTAINS INFORMATION THAT IS PROPRIETARY TO MOLEX INCORPORATED AND SHOULD NOT BE USED WITHOUT WRITTEN PERMISSION	SD-74548-200	SHEET NO. 2 OF 4		
	SEE REVISION TABLE EC NO: CPG2015-0132 DRWN: SYANG16 2013/09/27 CHKD: WANG07 2014/08/15 APPR: RCHEN08 2014/08/19	QUALITY SYMBOLS $\nabla = 0$ $\nabla = 0$ $\nabla = 0$	GENERAL TOLERANCES (UNLESS SPECIFIED) mm INCH 4 PLACES ± --- ± --- 3 PLACES ± --- ± --- 2 PLACES ± 0.13 ± --- 1 PLACE ± 0.25 ± --- 0 PLACE ± ± ANGULAR ±1/2° DRAFT WHERE APPLICABLE MUST REMAIN WITHIN DIMENSIONS	DIMENSION STYLE MM ONLY DRAWN BY DATE SNAVARRO 2006/05/26 CHECKED BY DATE BREED 2006/05/26 APPROVED BY DATE DDOYE 2006/05/26	SCALE 1:1	DESIGN UNITS METRIC

9 8 7 6 5 4 3 2 1



DETAIL1
Scale 5:1

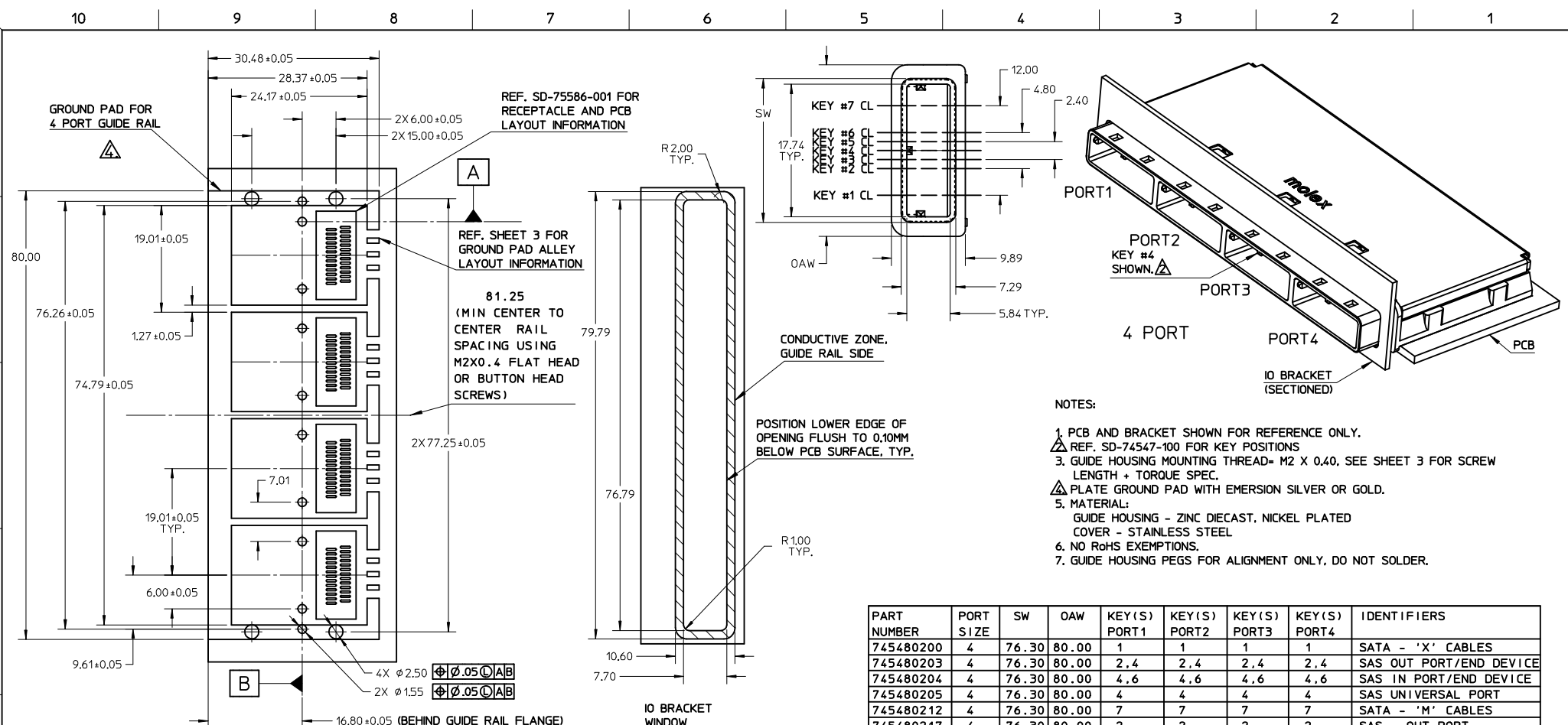
PART NUMBER	PORT SIZE	SW	OAW	KEY(S)	IDENTIFIERS
745480201	1	19.24	22.95	1	SATA - 'X' CABLES
745480209	1	19.24	22.95	2,4	SAS OUT PORT/END DEVICE
745480210	1	19.24	22.95	4,6	SAS IN PORT/END DEVICE
745480211	1	19.24	22.95	4	SAS UNIVERSAL PORT
745480214	1	19.24	22.95	7	SATA - 'M' CABLES
745480219	1	19.24	22.95	2	SAS OUT PORT
745480222	1	19.24	22.95	6	SAS IN PORT
745480225	1	19.24	22.95	3	SR10
745480229	1	19.24	22.95	2,7	CX4

PCB THICKNESS	SCREW LENGTH	TORQUE (IN LBS)
1.6 (.063')	5MM	2.3
2.38 (.093')	6MM	2.3
3.2 (.125')	6MM	2.3
X	+4MM MAX	2.3

SEE REVISION TABLE EC NO: CPG2015-0132 DRWN:SYANG16 2013/09/27 CHKD:EWANG07 2014/08/15 APPR:RICHEN08 2014/08/19	QUALITY SYMBOLS	GENERAL TOLERANCES (UNLESS SPECIFIED)	DIMENSION STYLE	SCALE	DESIGN UNITS	THIRD ANGLE PROJECTION
	▽F=0	mm INCH	MM ONLY	1:1	METRIC	
	▽E=0	4 PLACES ± --- ± ---	DRAWN BY DATE	SEE TABLE	DOCUMENT NO.	SD-74548-200
	▽F=0	3 PLACES ± --- ± ---	SNABARRO 2006/05/26			
▽E=0	2 PLACES ±0.13 ± ---	CHECKED BY DATE	MATERIAL NO.	SHEET NO.	3 OF 4	
▽E=0	1 PLACE ±0.25 ± ---	BREED 2006/05/26				
	0 PLACE ± ±	APPROVED BY DATE	SIZE	THIS DRAWING CONTAINS INFORMATION THAT IS PROPRIETARY TO MOLEX INCORPORATED AND SHOULD NOT BE USED WITHOUT WRITTEN PERMISSION		
	ANGULAR ±1/2°	DDOYE 2006/05/26				B
	DRAFT WHERE APPLICABLE MUST REMAIN WITHIN DIMENSIONS					

DATE	REV	DESCRIPTION
2014/08/14	U	1.CHANGED 40.0 TO 40.0 REF $\text{\textcircled{0}}\text{B9}$ [SHEET 1] 2.CHANGED DIM 25.09 TO 25.09 REF $\text{\textcircled{0}}\text{A10}$ BASED ON SFF-8088 [SHEET 1] 3.ADDDED NOTE FOR DIM 8.63 +0.13/-0.18 $\text{\textcircled{0}}\text{A7}$ [SHEET 1] 4.ADDDED DIM 15.25MAX $\text{\textcircled{0}}\text{B9}$ BASED ON SFF-8088 [SHEET 1] 5.ADDDED REVISION HISTORY [SHEET 4]. 6.CHANGED ALL LOCATIONS OF DIMENSION MULTIPLIERS. (EX: "YY(3)" TO "3X YY")

SEE REVISION TABLE EC NO: CPG2015-0132 U DRWN:SYANG16 2013/09/27 CHKD:EWANG07 2014/08/15 APPR:RCHEN08 2014/08/19	QUALITY SYMBOLS	GENERAL TOLERANCES (UNLESS SPECIFIED)	DIMENSION STYLE	SCALE	DESIGN UNITS	THIRD ANGLE PROJECTION
	$\nabla = 0$	mm INCH	MM ONLY	1:1	METRIC	
	$\nabla = 0$	4 PLACES ± --- ± ---	DRAWN BY DATE	TITLE I-PASS 26 CKT ZERO DEG. EMI GUIDE RAIL HOUSING ASSEMBLY, MULTI PORT		
	$\nabla = 0$	3 PLACES ± --- ± ---	SNAVARRO 2006/05/26			
	$\nabla = 0$	2 PLACES ± 0.13 ± ---	CHECKED BY DATE	DOCUMENT NO. SD-74548-200		
	1 PLACE ± 0.25 ± ---	BREED 2006/05/26				
	0 PLACE ± ±	APPROVED BY DATE	SHEET NO. 4 OF 4			
	ANGULAR ± 1/2°	DDOYE 2006/05/26				
	DRAFT WHERE APPLICABLE MUST REMAIN WITHIN DIMENSIONS	MATERIAL NO.	THIS DRAWING CONTAINS INFORMATION THAT IS PROPRIETARY TO MOLEX INCORPORATED AND SHOULD NOT BE USED WITHOUT WRITTEN PERMISSION			
		SIZE B				



REF. SD-75586-001 FOR RECEPTACLE AND PCB LAYOUT INFORMATION

REF. SHEET 3 FOR GROUND PAD ALLEY LAYOUT INFORMATION

81.25 (MIN CENTER TO CENTER RAIL SPACING USING M2X0.4 FLAT HEAD OR BUTTON HEAD SCREWS)

CONDUCTIVE ZONE, GUIDE RAIL SIDE

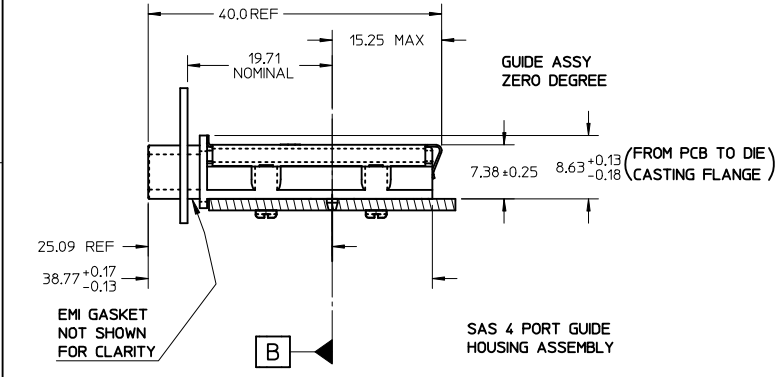
POSITION LOWER EDGE OF OPENING FLUSH TO 0.10MM BELOW PCB SURFACE, TYP.

NOTES:

1. PCB AND BRACKET SHOWN FOR REFERENCE ONLY.
2. REF. SD-74547-100 FOR KEY POSITIONS
3. GUIDE HOUSING MOUNTING THREAD= M2 X 0.40. SEE SHEET 3 FOR SCREW LENGTH + TORQUE SPEC.
4. PLATE GROUND PAD WITH EMERSION SILVER OR GOLD.
5. MATERIAL:
GUIDE HOUSING - ZINC DIECAST, NICKEL PLATED
COVER - STAINLESS STEEL
6. NO RoHS EXEMPTIONS.
7. GUIDE HOUSING PEGS FOR ALIGNMENT ONLY, DO NOT SOLDER.

PART NUMBER	PORT SIZE	SW	OAW	KEY(S) PORT1	KEY(S) PORT2	KEY(S) PORT3	KEY(S) PORT4	IDENTIFIERS
745480200	4	76.30	80.00	1	1	1	1	SATA - 'X' CABLES
745480203	4	76.30	80.00	2,4	2,4	2,4	2,4	SAS OUT PORT/END DEVICE
745480204	4	76.30	80.00	4,6	4,6	4,6	4,6	SAS IN PORT/END DEVICE
745480205	4	76.30	80.00	4	4	4	4	SAS UNIVERSAL PORT
745480212	4	76.30	80.00	7	7	7	7	SATA - 'M' CABLES
745480217	4	76.30	80.00	2	2	2	2	SAS - OUT PORT
745480220	4	76.30	80.00	6	6	6	6	SAS - IN PORT
745480304	4	76.30	80.00	2,7	2,7	2,7	2,7	CX4
745480401	4	76.29	79.99	2,6	4	4	4	CUSTOM

IPASS IS A TRADE MARK OF MOLEX.



SAS 4 PORT GUIDE HOUSING ASSEMBLY

SEE REVISION TABLE

EC NO: CPG2015-0132

DRWN:SYANG16 2013/09/27

CHKC:EWANG07 2014/08/15

APPR:RCHEN08 2014/08/19

QUALITY SYMBOLS

▽ F=0

▽ F=0

▽ F=0

GENERAL TOLERANCES (UNLESS SPECIFIED)

	mm	INCH
4 PLACES	± ---	± ---
3 PLACES	± ---	± ---
2 PLACES	± 0.13	± ---
1 PLACE	± 0.25	± ---
0 PLACE	±	±

ANGULAR ±1/2°

DRAFT WHERE APPLICABLE MUST REMAIN WITHIN DIMENSIONS

DIMENSION STYLE: MM ONLY

SCALE: 1:1

DESIGN UNITS: METRIC

THIRD ANGLE PROJECTION

DRAWN BY: SNAVARRO DATE: 2006/05/26

CHECKED BY: BREED DATE: 2006/05/26

APPROVED BY: DDOYE DATE: 2006/05/26

MATERIAL NO. SEE TABLE

TITLE: I-PASS 26 CKT ZERO DEG. EMI GUIDE RAIL HOUSING ASSEMBLY, MULTI PORT

molex

DOCUMENT NO. SD-74548-200

SHEET NO. 1 OF 4

THIS DRAWING CONTAINS INFORMATION THAT IS PROPRIETARY TO MOLEX INCORPORATED AND SHOULD NOT BE USED WITHOUT WRITTEN PERMISSION

10 9 8 7 6 5 4 3 2 1

F

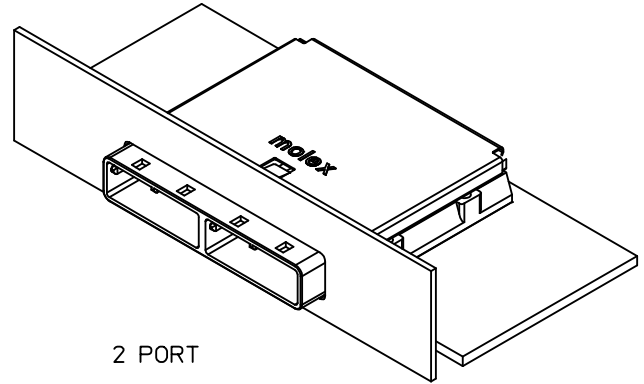
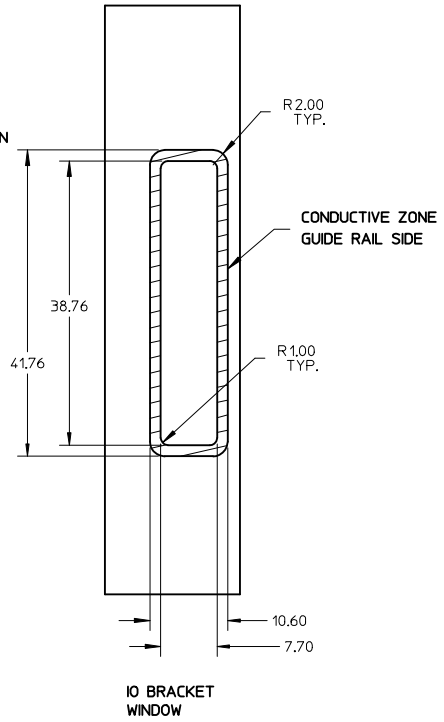
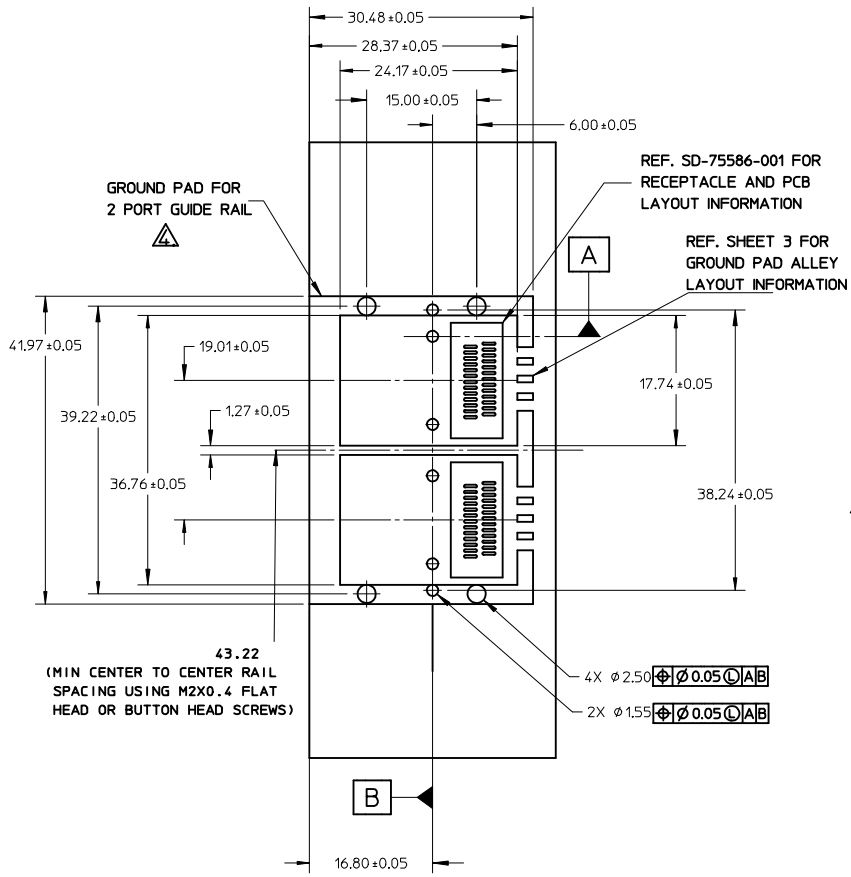
E

D

C

B

A

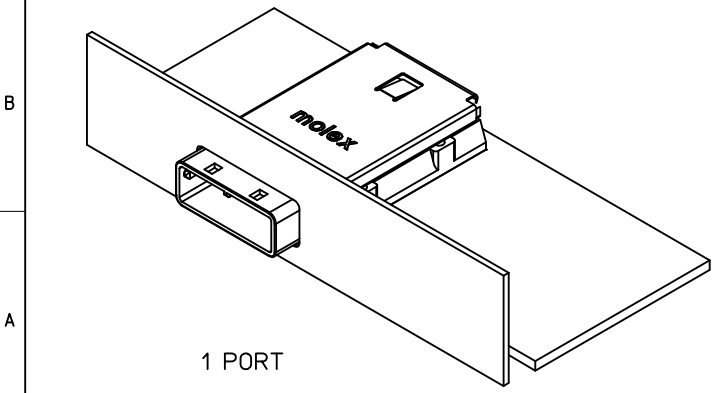
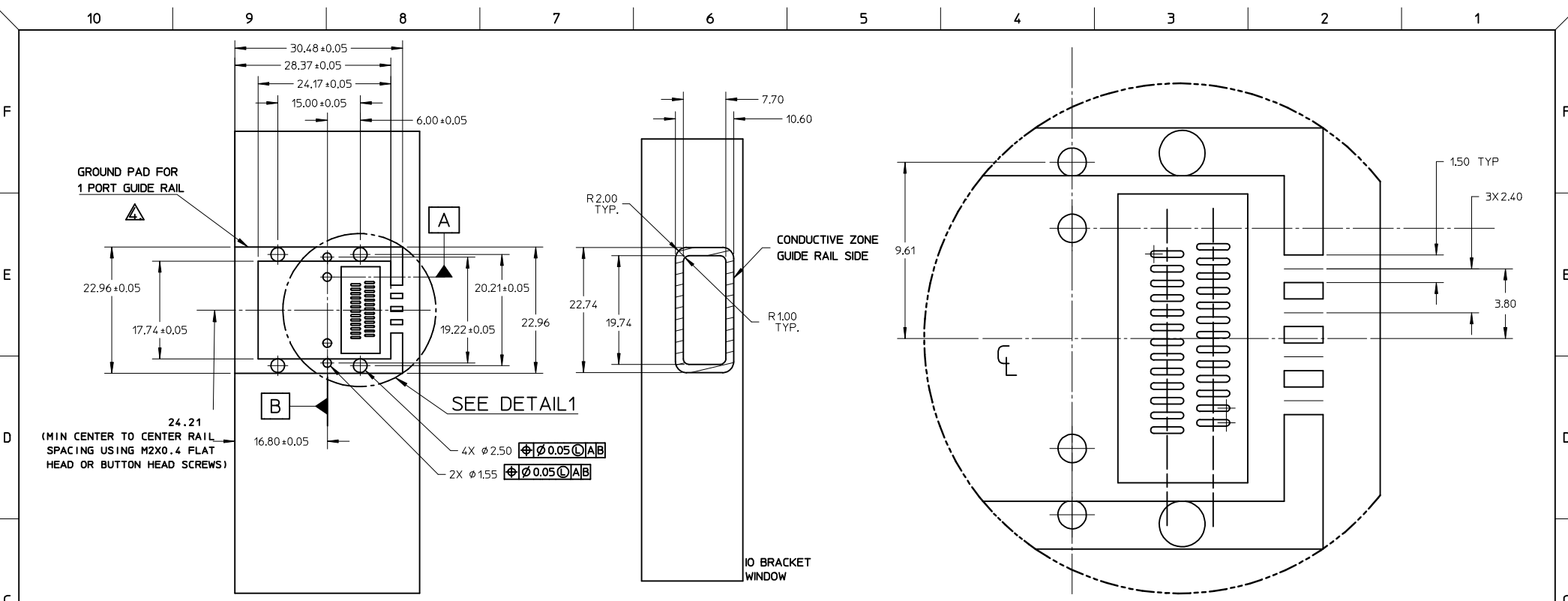


PART NUMBER	PORT SIZE	SW	OAW	KEY(S) PORT1	KEY(S) PORT2	IDENTIFIERS
745480202	2	38.26	41.96	1	1	SATA - 'X' CABLES
745480206	2	38.26	41.96	2,4	2,4	SAS OUT PORT/END DEVICE
745480207	2	38.26	41.96	4,6	4,6	SAS IN PORT/END DEVICE
745480208	2	38.26	41.96	4	4	SAS UNIVERSAL PORT
745480213	2	38.26	41.96	7	7	SATA - 'M' CABLES
745480215	2	38.26	41.96	4,6	2,4	SAS IN PORT - SAS OUT PORT
745480216	2	38.26	41.96	2,4	4,6	SAS OUT PORT - SAS IN PORT
745480218	2	38.26	41.96	2	2	SAS - IN PORT
745480221	2	38.26	41.96	6	6	SAS - OUT PORT
745480224	2	38.26	41.96	3	3	SRIO

I-PASS IS A TRADE MARK OF MOLEX.

SEE REVISION TABLE EC NO: CPG2015-0132 DRWN: SYANG16 2013/09/27 CHKD: WANG07 2014/08/15 APPR: RCHEN08 2014/08/19	QUALITY SYMBOLS	GENERAL TOLERANCES (UNLESS SPECIFIED)	DIMENSION STYLE	SCALE	DESIGN UNITS	THIRD ANGLE PROJECTION
	$\nabla = 0$ $\nabla = 0$ $\nabla = 0$	mm INCH 4 PLACES ± --- ± --- 3 PLACES ± --- ± --- 2 PLACES ± 0.13 ± --- 1 PLACE ± 0.25 ± --- 0 PLACE ± ±	MM ONLY	1:1	METRIC	TITLED I-PASS 26 CKT ZERO DEG. EMI GUIDE RAIL HOUSING ASSEMBLY, MULTI PORT molex
	DESCRIPTION	ANGULAR ±1/2°	DRAWN BY	DATE	DOCUMENT NO.	SHEET NO.
	REV	DRAFT WHERE APPLICABLE MUST REMAIN WITHIN DIMENSIONS	SNABARRO	2006/05/26	SD-74548-200	2 OF 4
			CHECKED BY	DATE		
		BREED	2006/05/26			
		APPROVED BY	DATE			
		DDOYE	2006/05/26			
		THIS DRAWING CONTAINS INFORMATION THAT IS PROPRIETARY TO MOLEX INCORPORATED AND SHOULD NOT BE USED WITHOUT WRITTEN PERMISSION				

9 8 7 6 5 4 3 2 1



DETAIL 1
Scale 5:1

PART NUMBER	PORT SIZE	SW	OAW	KEY(S)	IDENTIFIERS
745480201	1	19.24	22.95	1	SATA - 'X' CABLES
745480209	1	19.24	22.95	2,4	SAS OUT PORT/END DEVICE
745480210	1	19.24	22.95	4,6	SAS IN PORT/END DEVICE
745480211	1	19.24	22.95	4	SAS UNIVERSAL PORT
745480214	1	19.24	22.95	7	SATA - 'M' CABLES
745480219	1	19.24	22.95	2	SAS OUT PORT
745480222	1	19.24	22.95	6	SAS IN PORT
745480225	1	19.24	22.95	3	SR10
745480229	1	19.24	22.95	2,7	CX4

PCB THICKNESS	SCREW LENGTH	TORQUE (IN LBS)
1.6 (.063')	5MM	2.3
2.38 (.093')	6MM	2.3
3.2 (.125')	6MM	2.3
X	+4MM MAX	2.3

SEE REVISION TABLE EC NO: CPG2015-0132 DRWN:SYANG16 2013/09/27 CHKD:EWANG07 2014/08/15 APPR:RICHEN08 2014/08/19	QUALITY SYMBOLS	GENERAL TOLERANCES (UNLESS SPECIFIED)	DIMENSION STYLE	SCALE	DESIGN UNITS	THIRD ANGLE PROJECTION TITLE I-PASS 26 CKT ZERO DEG. EMI GUIDE RAIL HOUSING ASSEMBLY, MULTI PORT moLEX DOCUMENT NO. SD-74548-200 SHEET NO. 3 OF 4
	▽F=0	mm INCH	MM ONLY	1:1	METRIC	
	▽E=0	4 PLACES ± --- ± ---	DRAWN BY DATE	DATE	DATE	
	▽F=0	3 PLACES ± --- ± ---	SNABARRO 2006/05/26	2006/05/26	2006/05/26	
	2 PLACES ±0.13 ± ---	CHECKED BY DATE				
	1 PLACE ±0.25 ± ---	BREED 2006/05/26				
	0 PLACE ± ±	APPROVED BY DATE				
		DDOYE 2006/05/26				
		ANGULAR ±1/2°	MATERIAL NO.			
		DRAFT WHERE APPLICABLE MUST REMAIN WITHIN DIMENSIONS	SEE TABLE			
			SIZE B			

DATE	REV	DESCRIPTION
2014/08/14	U	1.CHANGED 40.0 TO 40.0 REF $\text{\textcircled{0}}\text{B9}$ [SHEET 1] 2.CHANGED DIM 25.09 TO 25.09 REF $\text{\textcircled{0}}\text{A10}$ BASED ON SFF-8088 [SHEET 1] 3.ADDDED NOTE FOR DIM 8.63 +0.13/-0.18 $\text{\textcircled{0}}\text{A7}$ [SHEET 1] 4.ADDDED DIM 15.25MAX $\text{\textcircled{0}}\text{B9}$ BASED ON SFF-8088 [SHEET 1] 5.ADDDED REVISION HISTORY [SHEET 4]. 6.CHANGED ALL LOCATIONS OF DIMENSION MULTIPLIERS. (EX: "YY(3)" TO "3X YY")

SEE REVISION TABLE EC NO: CPG2015-0132 U DRWN:SYANG16 2013/09/27 CHKD:EWANG07 2014/08/15 APPR:RCHEN08 2014/08/19	QUALITY SYMBOLS	GENERAL TOLERANCES (UNLESS SPECIFIED)	DIMENSION STYLE	SCALE	DESIGN UNITS	THIRD ANGLE PROJECTION
	$\nabla = 0$	mm INCH	MM ONLY	1:1	METRIC	
	$\nabla = 0$	4 PLACES ± --- ± ---	DRAWN BY DATE	TITLE I-PASS 26 CKT ZERO DEG. EMI GUIDE RAIL HOUSING ASSEMBLY, MULTI PORT		
	$\nabla = 0$	3 PLACES ± --- ± ---	SNAVARRO 2006/05/26			
	$\nabla = 0$	2 PLACES ± 0.13 ± ---	CHECKED BY DATE	DOCUMENT NO. SD-74548-200		
	1 PLACE ± 0.25 ± ---	BREED 2006/05/26				
	0 PLACE ± ±	APPROVED BY DATE	SHEET NO. 4 OF 4			
	ANGULAR ± 1/2°	DDOYE 2006/05/26				
	DRAFT WHERE APPLICABLE MUST REMAIN WITHIN DIMENSIONS	MATERIAL NO.	THIS DRAWING CONTAINS INFORMATION THAT IS PROPRIETARY TO MOLEX INCORPORATED AND SHOULD NOT BE USED WITHOUT WRITTEN PERMISSION			
		SIZE B				