

**PLEASE CHECK WWW.MOLEX.COM FOR LATEST PART INFORMATION**

**Part Number:** [74695-1001](#)  
**Status:** **Active**  
**Overview:** VHDM-HSD™ Backplane Connectors  
**Description:** 2.00mm Pitch 5-Row VHDM-HSD™ Backplane Header, Open Module, 40 Circuits, Pin Length 4.75mm. Series:74702 Enables designers to create custom loaded connectors utilizing standard pin lengths 4.25, 4.75, 5.15 and 6.25mm

**Documents:**

[3D Model](#) [Product Specification PS-74031-999 \(PDF\)](#)  
[Drawing \(PDF\)](#) [RoHS Certificate of Compliance \(PDF\)](#)

**Agency Certification**

CSA LR19880

**General**

Product Family Backplane Connectors  
 Series [74695](#)  
 Application Backplane  
 Application Tooling Documents TM-622010999  
 Comments Open Header  
 Component Type PCB Header  
 Overview [VHDM-HSD™ Backplane Connectors](#)  
 Product Name VHDM-HSD™  
 Style N/A  
 UPC 800756544496

**Physical**

Circuits (Loaded) 40  
 Circuits (maximum) 40  
 Color - Resin Black  
 Durability (mating cycles max) 200  
 First Mate / Last Break No  
 Flammability 94V-0  
 Guide to Mating Part No  
 Keying to Mating Part None  
 Material - Metal High Performance Alloy (HPA)  
 Material - Plating Mating Gold  
 Material - Plating Termination Tin-Lead  
 Material - Resin High Temperature Thermoplastic  
 Net Weight 5.287/g  
 Number of Columns 10  
 Number of Pairs Open Pin Field  
 Number of Rows 5  
 Orientation Vertical  
 PC Tail Length 2.50mm  
 PCB Locator No  
 PCB Retention None  
 PCB Thickness - Recommended 1.80mm  
 Packaging Type Tube  
 Pitch - Mating Interface 2.00mm  
 Pitch - Termination Interface 2.00mm  
 Plating min - Mating 0.762µm  
 Plating min - Termination 0.762µm  
 Polarized to PCB Yes  
 Surface Mount Compatible (SMC) Yes  
 Temperature Range - Operating -55°C to +105°C

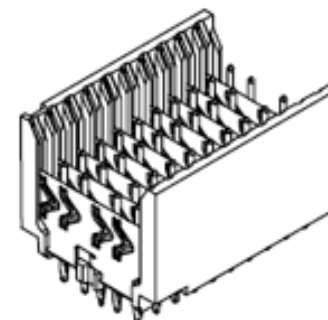


image - Reference only

Series

**EU RoHS**

**ELV and RoHS Compliant**

**REACH SVHC**

Not Reviewed

**Low-Halogen Status**

**Low-Halogen**

**China RoHS**



**Need more information on product environmental compliance?**

Email [productcompliance@molex.com](mailto:productcompliance@molex.com)  
 For a multiple part number RoHS Certificate of Compliance, [click here](#)

Please visit the [Contact Us](#) section for any non-product compliance questions.

**Search Parts in this Series**

[74695Series](#)

**Mates With**

[74670 HSD Daughtercard](#)

**Application Tooling | FAQ**

*Tooling specifications and manuals are found by selecting the products below. Crimp Height Specifications are then contained in the Application Tooling Specification document.*

**Global**

Description	Product #
Signal Pin Inserter	<a href="#">0622015700</a>
Repair Tool	
5-Row Pin and Shield Repair Tool	<a href="#">0622015810</a>
5-Row Shield Extraction Tool	<a href="#">0622016010</a>
Signal Header, 5-Row by 10-Wide, 20.00mm	<a href="#">0622020201</a>

Termination Interface: Style

Through Hole - Compliant Pin

**Electrical**

Current - Maximum per Contact

1A

Data Rate

5.0 Gbps

Shield Type

Ground Plane Shield

Shielded

Yes

Voltage - Maximum

120V AC (RMS)/DC

**Material Info**

**Reference - Drawing Numbers**

Product Specification

PS-74031-999

VHDM-HSD is a trademark of Amphenol Corporation

This document was generated on 01/23/2013

**PLEASE CHECK [WWW.MOLEX.COM](http://WWW.MOLEX.COM) FOR LATEST PART INFORMATION**