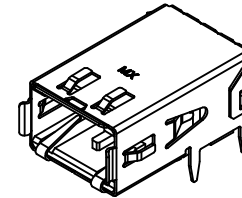
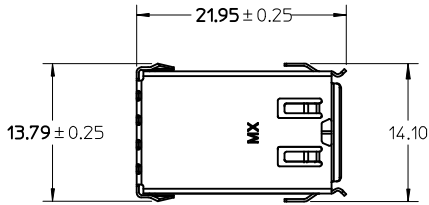
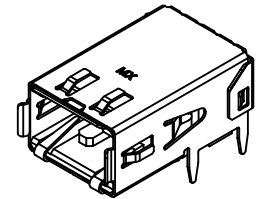


NOTES:

1. MATERIALS: HOUSING - LIQUID CRYSTAL POLYMER, UL94 V-0, NATURAL
 TERMINAL - COPPER NICKEL SILICON ALLOY
 SHIELD - BRASS ALLOY
2. FINISHES:
 TERMINAL: 1.27 MICROMETERS MINIMUM SELECT GOLD AND
 3.81 MICROMETERS MINIMUM SELECT TIN OVER
 NICKEL UNDERPLATE OVERALL.
 SHELL: 3.00 MICROMETERS MINIMUM TIN OVER
 NICKEL UNDERPLATE OVERALL.
3. PACKAGE TAPE AND REEL PER PK-74703-001 AND
 PACKAGE TRAYS PER PK-74703-002.
4. PART CONFORMS TO SPECIFICATION PS-74703-001.
5. DROP-IN AND PRESS FIT ASSEMBLIES REQUIRED TO
 BE SOLDERED TO BOARD.



INFINIBAND KEYING WITH DROP-IN SHIELD

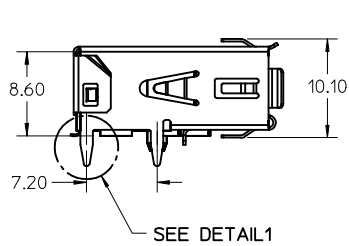


FIBRE CHANNEL KEYING WITH DROP-IN SHIELD

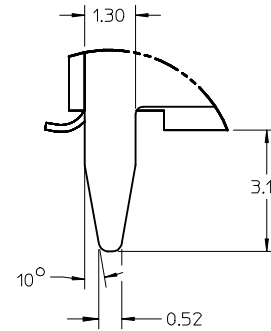
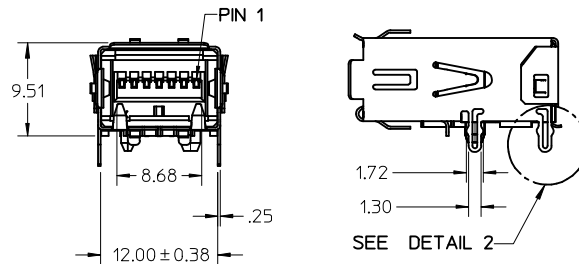
NOTE FOR LEAD FREE CONVERSION:

THE PRIMARY SHIPPING CARTON WILL BE LABELED "COMPLIANT TO RoHS DIRECTIVE 2002/95/EC AND ELV ANNEX II OF DIRECTIVE 2000/53/EC". CARTONS WITHOUT THIS LABEL MAY CONTAIN PRODUCT WITH LEAD.

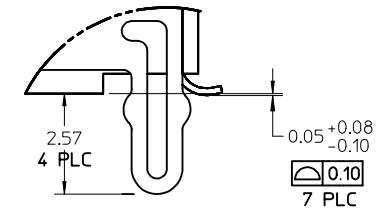
DROP-IN SHIELD



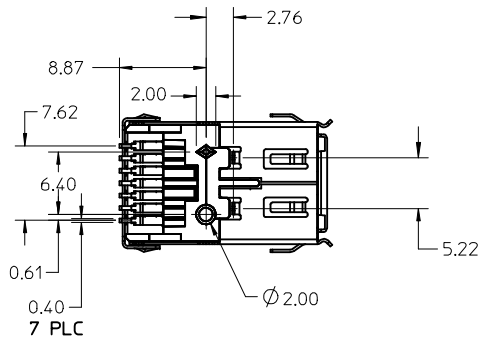
PRESS-FIT SHIELD



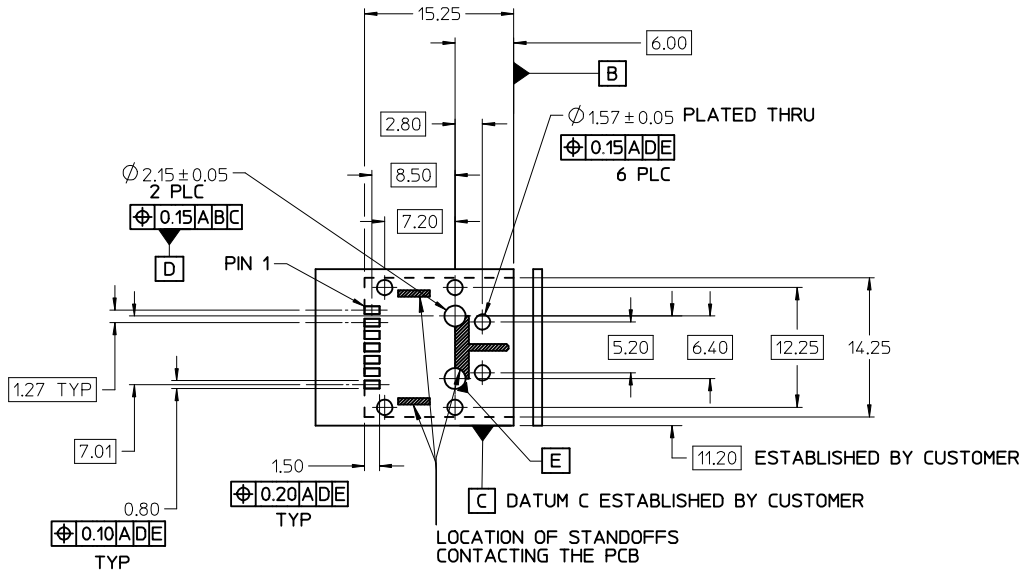
DETAIL 1
SCALE 8:1



DETAIL 2
SCALE 8:1

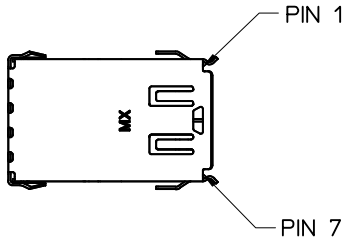


| | | | | | |
|---|--|---|---|---|--|
| MODIFY TOLERANCE EC NO: UCP2009-1117 DR:WINSIBARRA 2008/10/29 CHK:D:MORGAN 2008/10/29 APPR:SMILLER 2008/10/30 | QUALITY SYMBOLS ▽=0 ▽=0 | GENERAL TOLERANCES (UNLESS SPECIFIED) mm INCH 4 PLACES ± --- ± --- 3 PLACES ± --- ± --- 2 PLACES ± 0.13 ± --- 1 PLACE ± 0.25 ± --- ANGULAR ± 3° | DIMENSION STYLE MM ONLY DRAWN BY DATE KSTILES 10/06/2000 CHECKED BY DATE RSFOX 10/09/2000 APPROVED BY DATE DBRINKMA 10/12/2000 MATERIAL NO. | SCALE 2:1 TITLE SALES DRAWING HSSDC2 RECEPTACLE ASSEMBLY | DESIGN UNITS METRIC THIRD ANGLE PROJECTION |
| | DRAFT WHERE APPLICABLE MUST REMAIN WITHIN DIMENSIONS | SEE TABLE | DOCUMENT NO. SD-74703-001 | SHEET NO. 1 OF 3 | |
| | H1 | REV | SIZE B | THIS DRAWING CONTAINS INFORMATION THAT IS PROPRIETARY TO MOLEX INCORPORATED AND SHOULD NOT BE USED WITHOUT WRITTEN PERMISSION | |
| | MOLEX INCORPORATED | | | | |

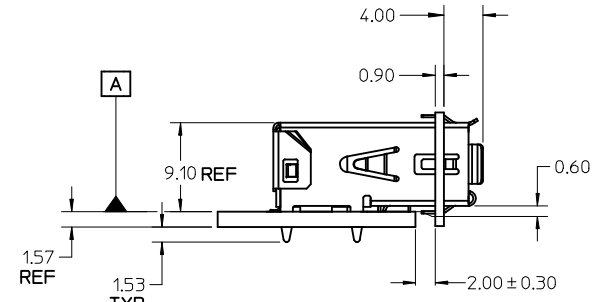


RECOMMENDED PCB LAYOUT
COMPONENT SIDE SHOWN

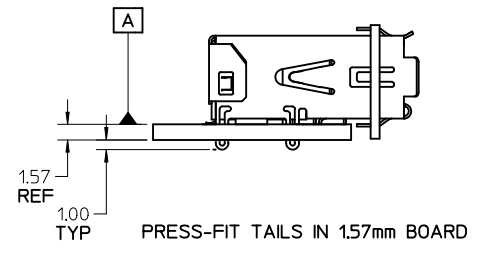
THE ENTIRE AREA OF THE CONNECTOR FOOTPRINT TO BE CONSIDERED THE KEEP OUT AREA (FOR COMPONENTS). THIS AREA IS INDICATED BY THE DASHED LINE.



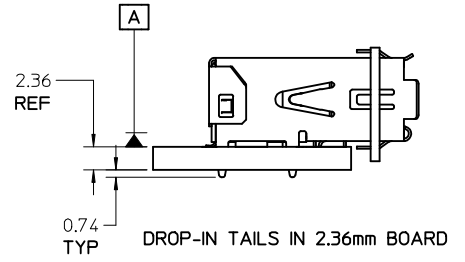
| PIN NO. | INFINIBAND | FIBRE CHANNEL |
|---------|------------|---------------|
| 1 | G | G |
| 2 | R+ | R- |
| 3 | R- | R+ |
| 4 | G | G |
| 5 | T- | T+ |
| 6 | T+ | T- |
| 7 | G | G |



DROP-IN TAILS IN 1.57mm BOARD

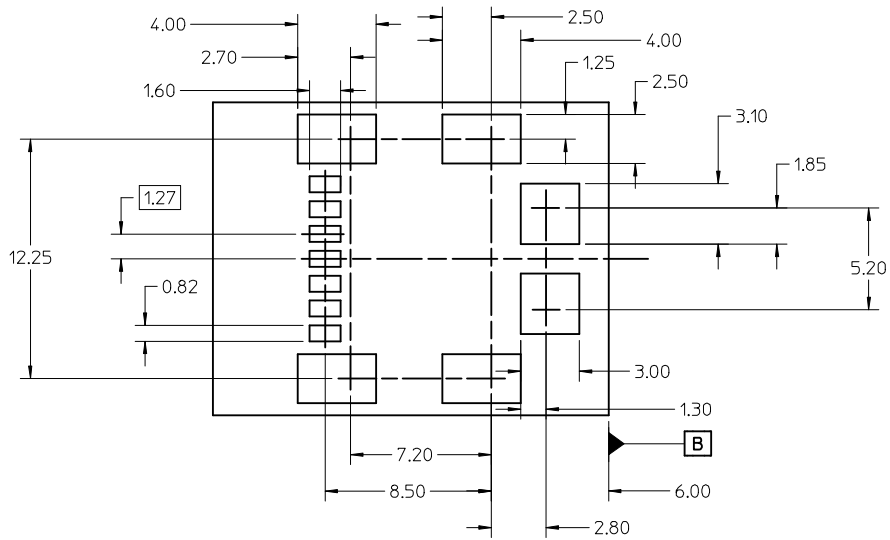


PRESS-FIT TAILS IN 1.57mm BOARD

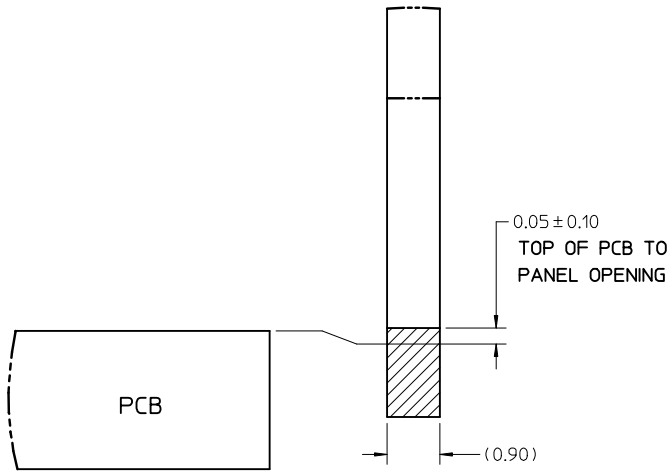


DROP-IN TAILS IN 2.36mm BOARD

| | | | | | | | | | |
|---|-------------------------------|---------------------------------------|--|--|--|---|--------------|------------------------|--|
| SEE SHEET 1 EC NO: UCP2009-1117 DRAWNS: IBARRA 2008/10/29 CHKD: DMORGAN 2008/10/29 APPR: SMILLER 2008/10/30 H1 | QUALITY SYMBOLS ▽=0 ▽=0 | GENERAL TOLERANCES (UNLESS SPECIFIED) | | DIMENSION STYLE | | SCALE | DESIGN UNITS | THIRD ANGLE PROJECTION | |
| | | | | MM ONLY | | 2:1 | METRIC | | |
| | | | | DRAWN BY DATE | | TITLE | | | |
| | | | | KSTILES 10/06/2000 | | HSSDC2 RECEPTACLE ASSEMBLY | | | |
| | | CHECKED BY DATE | | MATERIAL NO. | | DOCUMENT NO. | | SHEET NO. | |
| | | RSFOX 10/09/2000 | | DBRINKMA 10/12/2000 | | MOLEX INCORPORATED | | 2 OF 3 | |
| | | APPROVED BY DATE | | SEE TABLE | | SD-74703-001 | | | |
| | | ANGULAR ± 3 ° | | DRAFT WHERE APPLICABLE MUST REMAIN WITHIN DIMENSIONS | | THIS DRAWING CONTAINS INFORMATION THAT IS PROPRIETARY TO MOLEX INCORPORATED AND SHOULD NOT BE USED WITHOUT WRITTEN PERMISSION | | | |

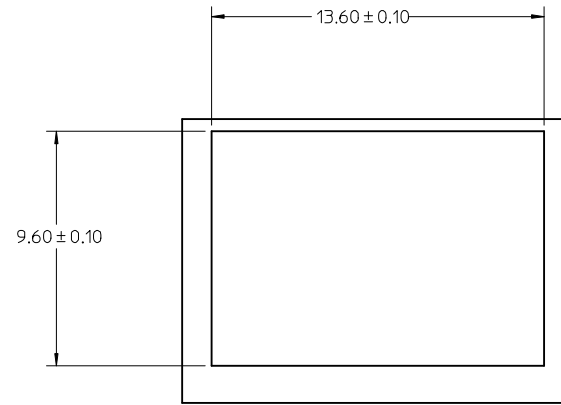


RECOMMENDED SMT STENCIL LAYOUT



PARTIAL1 SCALE 12:1

| CKT. SIZE | MATERIAL NUMBER | | KEYING OPTION | SHIELD OPTION |
|-----------|-----------------|------------|---------------|---------------|
| | TAPE/REEL | TRAY | | |
| 7 | 74703-0007 | 74703-0017 | INFINIBAND | DROP-IN |
| 7 | 74703-0107 | 74703-0117 | FIBRE CHANNEL | DROP-IN |
| 7 | 74703-0307 | 74703-0317 | INFINIBAND | PRESS-FIT |
| 7 | 74703-0407 | 74703-0417 | FIBRE CHANNEL | PRESS-FIT |



RECOMMENDED PANEL OPENING

| | | | | | | | | | |
|--|--|---|--|---|---|---|---|------------------------|---------------------|
| SEE SHEET 1 EC NO: UCP2009-1117 DRWN:MS.BARRA 2008/10/29 CHKD:DMORGAN 2008/10/29 APPR:SMILLER 2008/10/30 | QUALITY SYMBOLS | GENERAL TOLERANCES (UNLESS SPECIFIED) | | DIMENSION STYLE MM ONLY | | SCALE 2:1 | DESIGN UNITS METRIC | THIRD ANGLE PROJECTION | |
| | ▼=0 ▽=0 | 4 PLACES ± --- ± --- 3 PLACES ± --- ± --- 2 PLACES ± 0.13 ± --- 1 PLACE ± 0.25 ± --- | mm INCH ± --- ± --- ± 0.13 ± --- ± 0.25 ± --- | DRAWN BY KSTILES CHECKED BY RSFOX APPROVED BY DBRINKMA MATERIAL NO. | DATE 10/06/2000 DATE 10/09/2000 DATE 10/12/2000 | TITLE SALES DRAWING HSSDC2 RECEPTACLE ASSEMBLY | | | |
| | DRAFT WHERE APPLICABLE MUST REMAIN WITHIN DIMENSIONS | | ANGULAR ± 3° | | SEE TABLE | | MOLEX INCORPORATED DOCUMENT NO. SD-74703-001 | | SHEET NO. 3 OF 3 |
| | | | | | THIS DRAWING CONTAINS INFORMATION THAT IS PROPRIETARY TO MOLEX INCORPORATED AND SHOULD NOT BE USED WITHOUT WRITTEN PERMISSION | | | | |