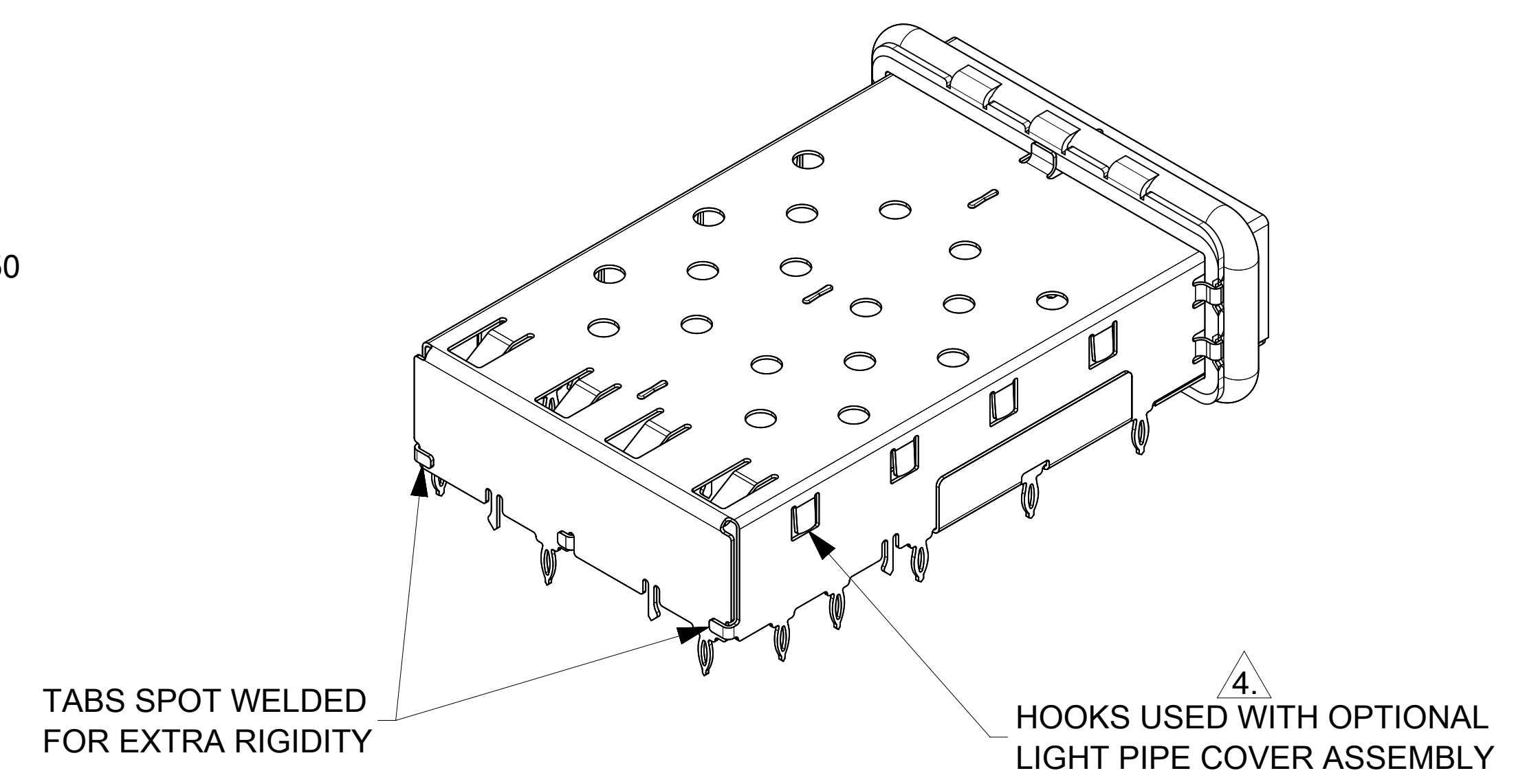
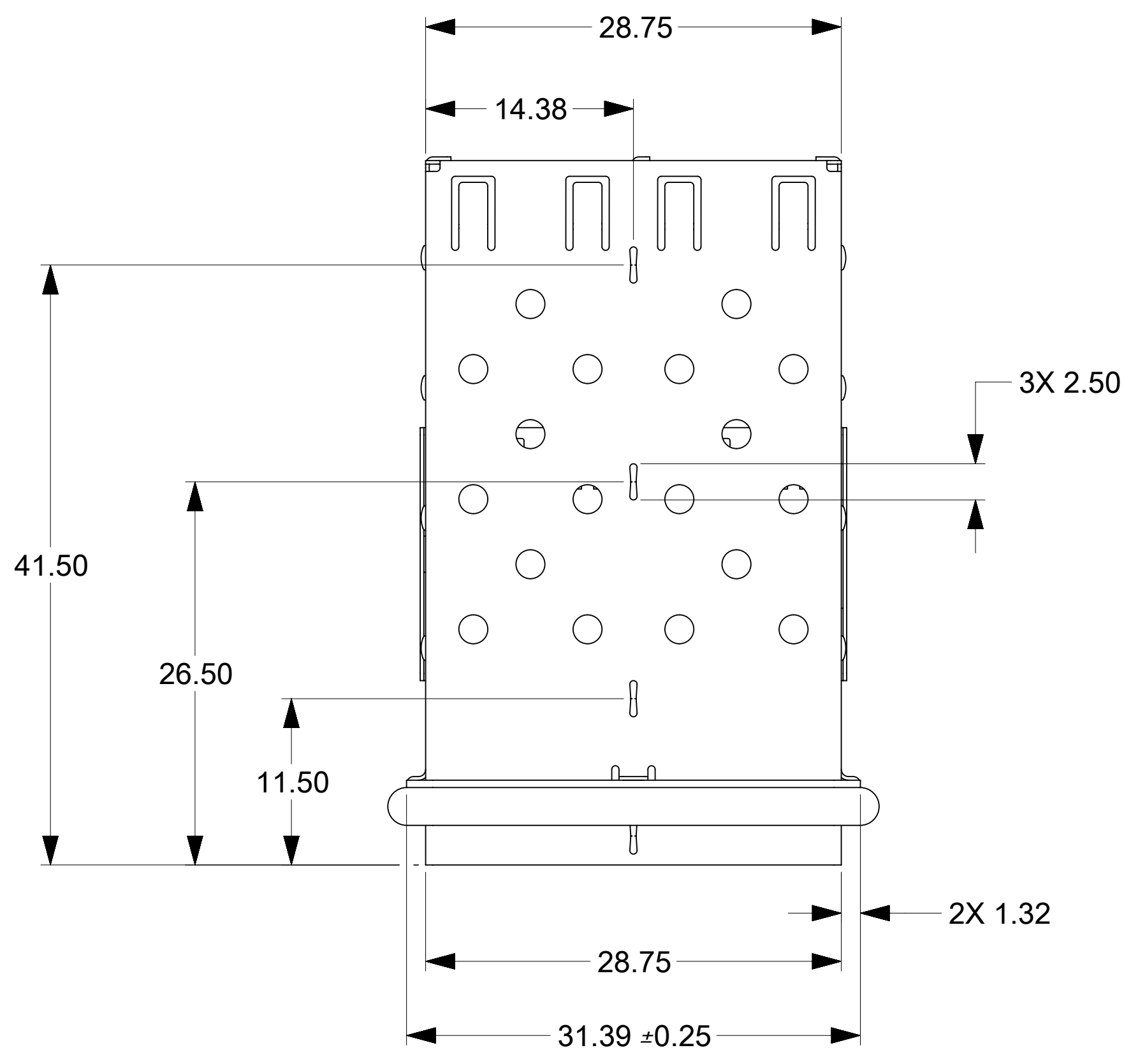
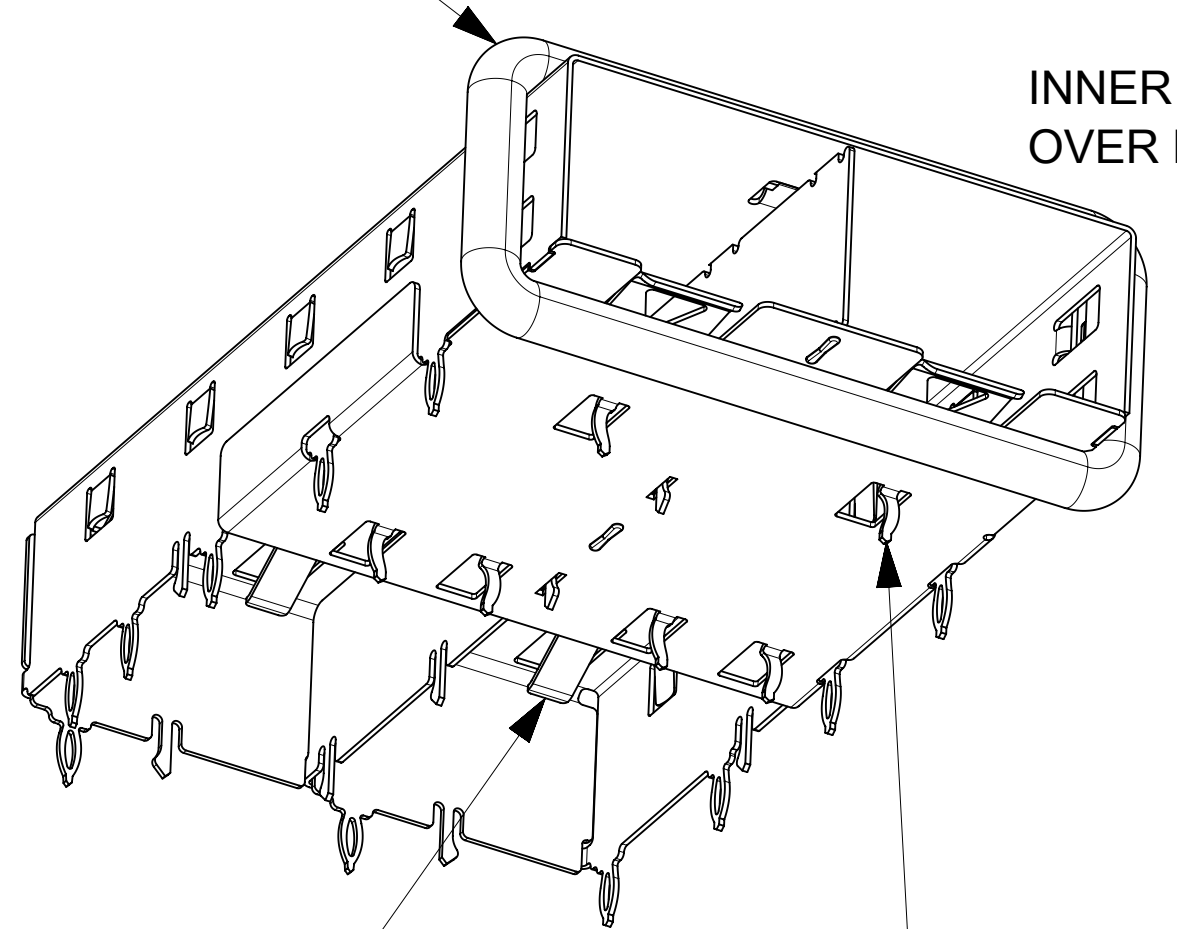


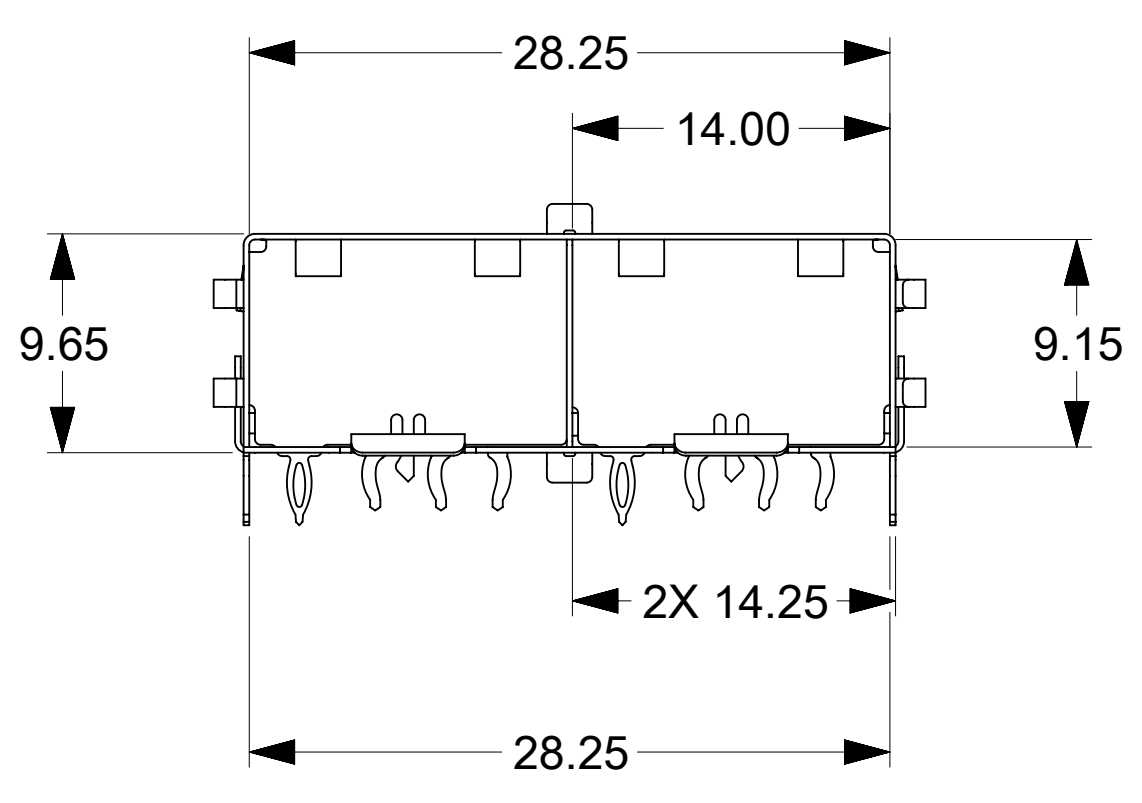
- NOTES:**
- PRESS FIT LEGS 3.05 LONG-
1.57 MINIMUM PCB THICKNESS FOR SINGLE SIDED USE.
3.00 MINIMUM PCB THICKNESS FOR BELLY TO BELLY USE.
 - MATERIAL: COPPER ALLOY
PLATING: NONE
NOTE: A NICKEL PLATED VERSION OF THIS ASSEMBLY IS AVAILABLE.
REFER TO DOCUMENT SD-74722-004
 - REFERENCE DOCUMENTS:
PRODUCT SPECIFICATION: PS-74728-000
COSMETIC SPECIFICATIONS: WI-HP-2774 AND WI-HPA-7-0093
TEST SUMMARY: TS-73927-0250.
 - MATES WITH SERIES 74727, LIGHT PIPE COVER ASSEMBLY.
 - NO RoHS EXEMPTIONS.



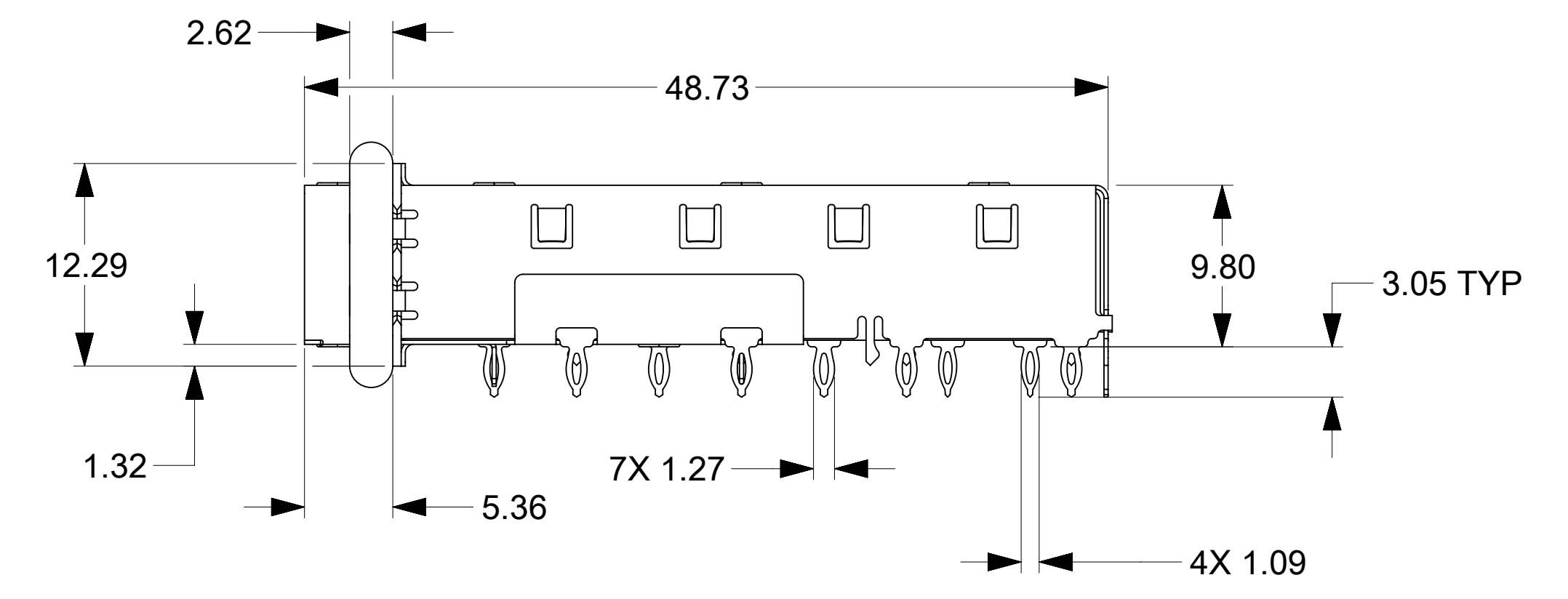
360° ELASTOMER EMI GASKET COMPLIES WITH (SFP) MSA BOARD AND BEZEL LOCATIONS



INNER WALL TABS ARE COINED OVER BASE AND COVER FOR RIGIDITY



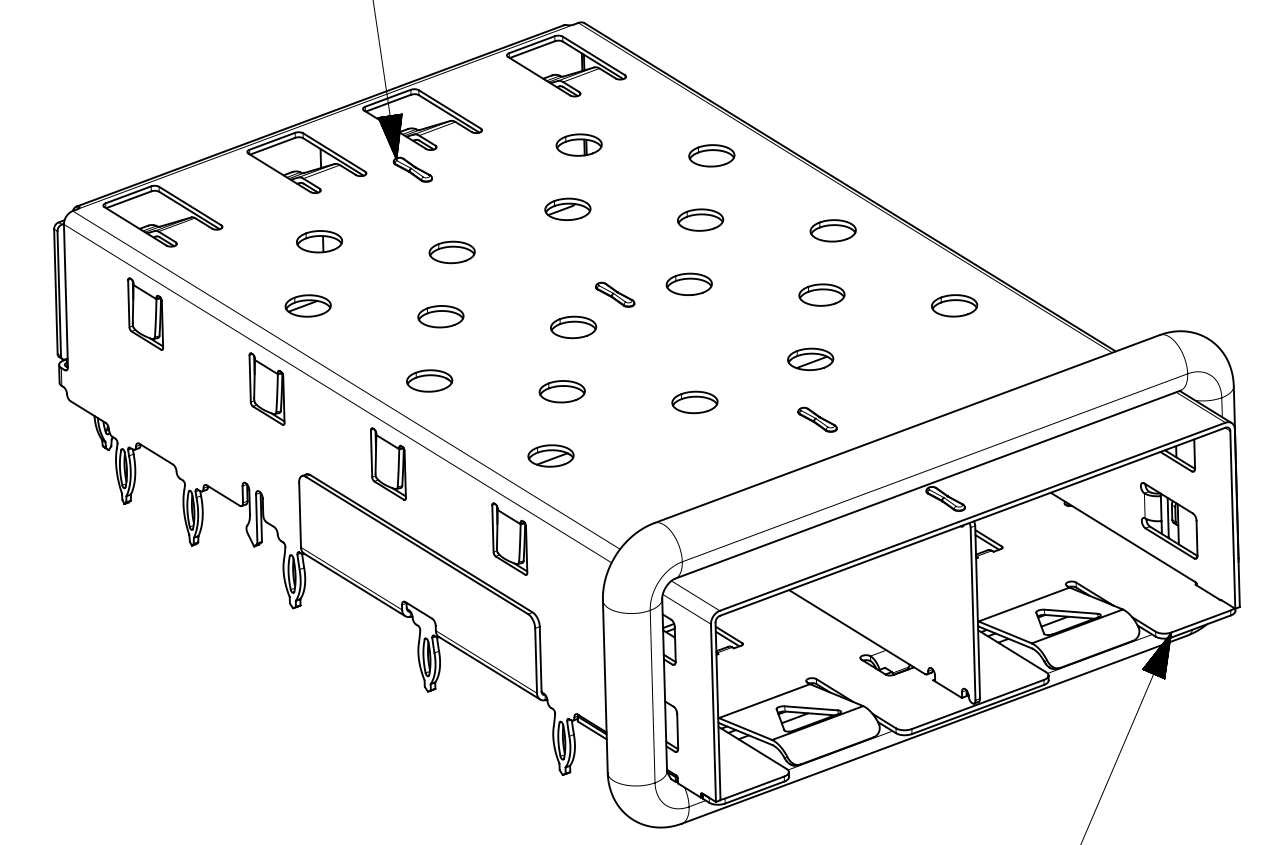
GASKET AND FRAME REMOVED FOR CLARITY



PART NUMBER
739270250

EMI FINGERS CONTACT ADAPTER

6 UNDER BELLY EMI PINS

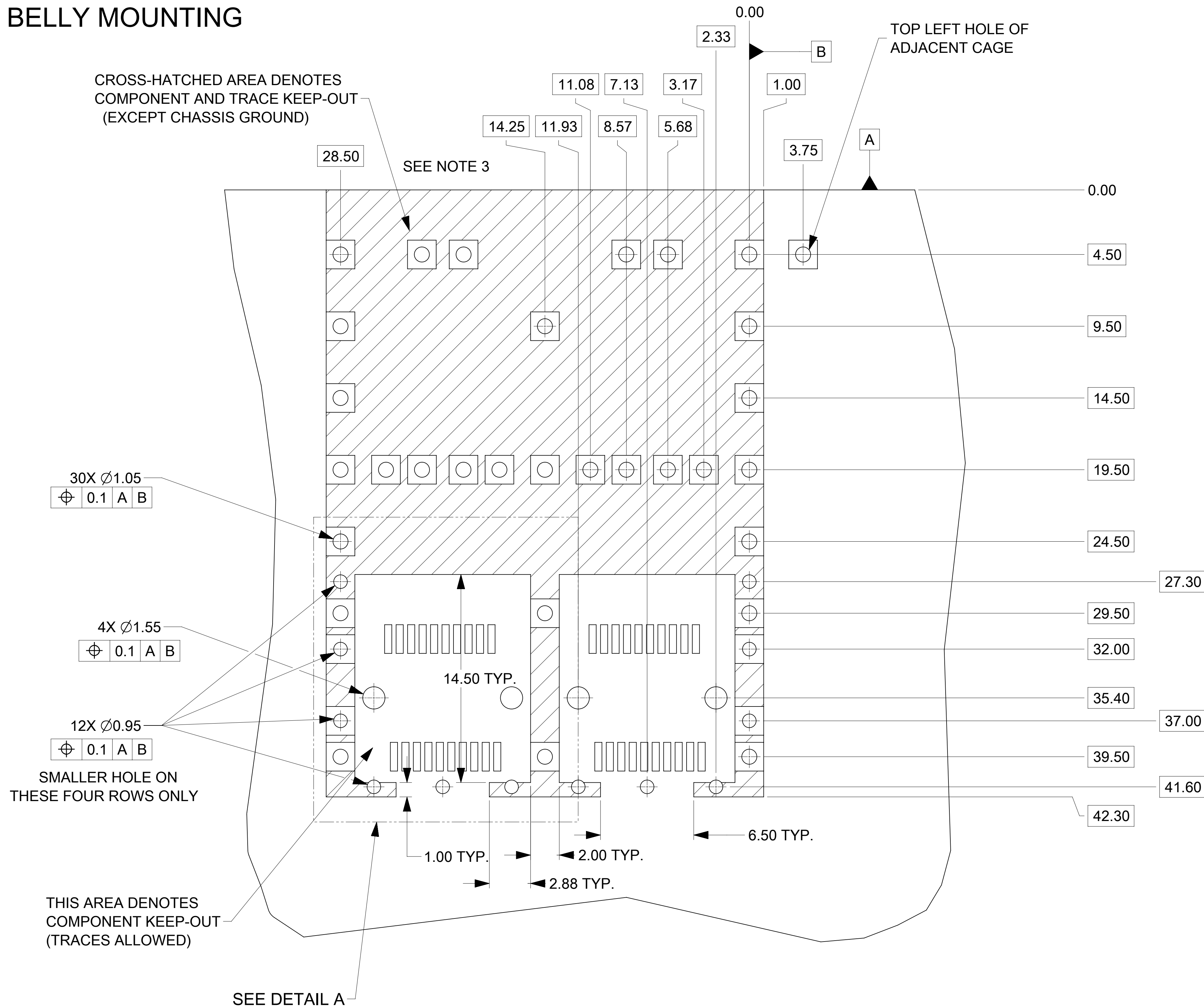


DIMENSIONS OF EACH INNER CAGE DESIGNED TO FUNCTION WITH SMALL FORM-FACTOR PLUGGABLE (SFP) TRANSCEIVER

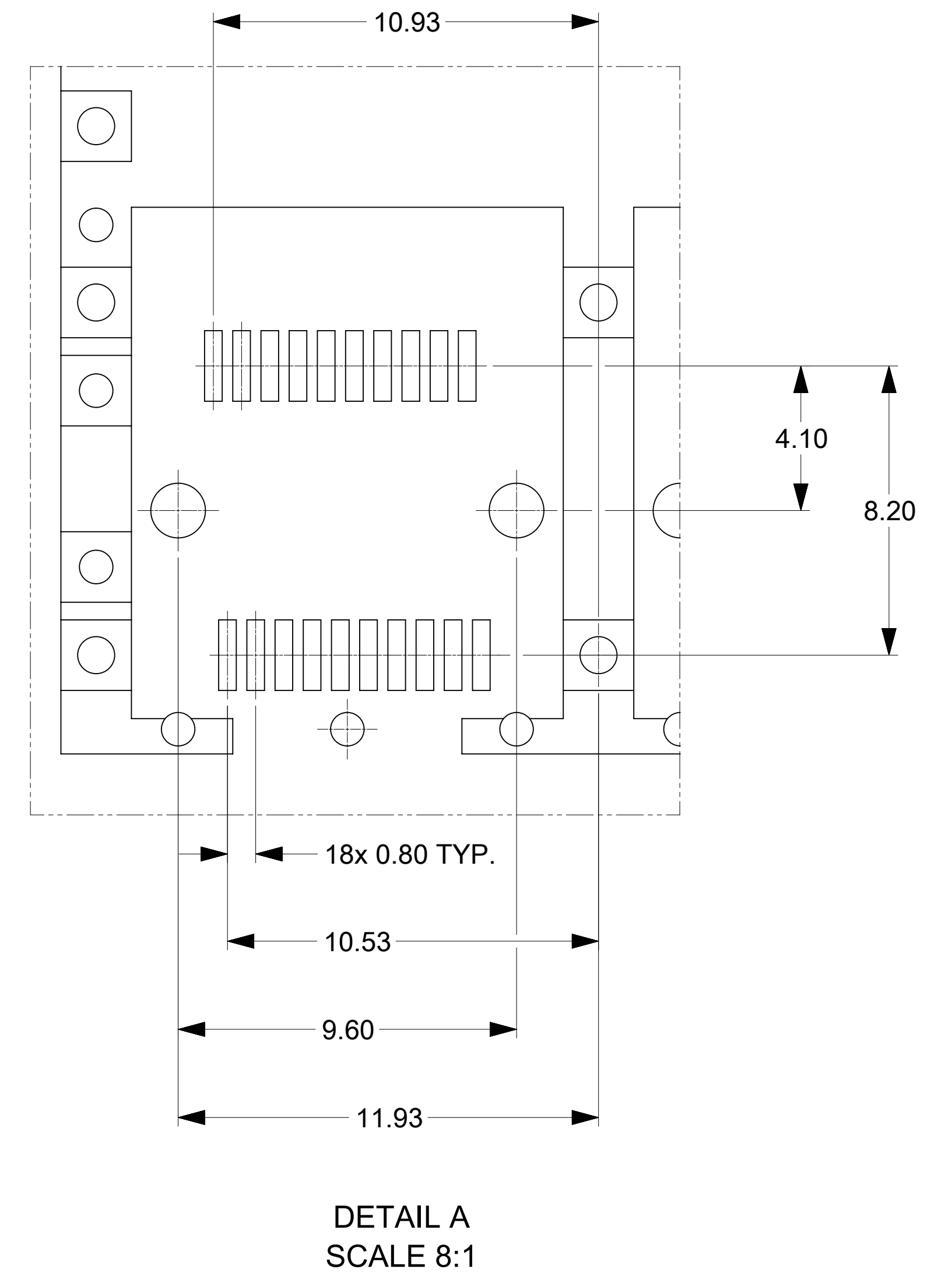
THIS DRAWING CONTAINS INFORMATION THAT IS PROPRIETARY TO MOLEX ELECTRONIC TECHNOLOGIES, LLC AND SHOULD NOT BE USED WITHOUT WRITTEN PERMISSION

DIMENSION UNITS: MM		SCALE: 3:1		CURRENT REV DESC:				molex							
GENERAL TOLERANCES (UNLESS SPECIFIED)				EC NO: 620216											
4 PLACES	±	±		DRWN: AKUMAR19		2018/05/31		1X2 SFP GANGED CAGE ASSEMBLY PRESS FIT							
3 PLACES	±	±		CHK'D: GGA		2019/07/09									
2 PLACES	±	0.13	±	APPR: GGA		2019/07/09		PRODUCT CUSTOMER DRAWING							
1 PLACE	±	0.25	±	INITIAL REVISION:				DOCUMENT NUMBER							
0 PLACES	±		±	DRWN: KSIMONSO		2003/09/25		SD-73927-250		DOC TYPE		DOC PART		REVISION	
ANGULAR TOL ± 1.0°				APPR: KJANOTA		2010/03/16		PSD		001		E			
DRAFT WHERE APPLICABLE MUST REMAIN WITHIN DIMENSIONS				THIRD ANGLE PROJECTION		DRAWING		SERIES		MATERIAL NUMBER		CUSTOMER		SHEET NUMBER	
				D-SIZE		73927		SEE TABLE		GENERAL MARKET		1 OF 5			

PCB LAYOUT FOR BELLY TO BELLY MOUNTING



HOST CONNECTOR DETAIL



- NOTES:
1. PADS AND VIAS GO TO CHASSIS GROUND, (34 PLACES). RECOMMENDED PADS TO BE 2mm SQUARE.
 2. PLATING OPTIONAL FOR THROUGH HOLES (8 PLACES)
 3. RECOMMENDED PLATING INCLUDES HASL, IMMERSION (GOLD, SILVER, OR TIN), AND OSP.
 4. HOLE PATTERN REPEATS FOR EACH PORT, SPACING BETWEEN PORTS IS 14.25
 5. CONNECTOR PAD LAYOUT PER SFP MSA. WILL ACCOMODATE MOLEX CONNECTOR SERIES 74441 OR EQUIVALENT.

THIS DRAWING CONTAINS INFORMATION THAT IS PROPRIETARY TO MOLEX ELECTRONIC TECHNOLOGIES, LLC AND SHOULD NOT BE USED WITHOUT WRITTEN PERMISSION											
DIMENSION UNITS		SCALE		CURRENT REV DESC:							
MM		6:1		molex 1X2 SFP GANGED CAGE ASSEMBLY PRESS FIT PRODUCT CUSTOMER DRAWING DOCUMENT NUMBER: SD-73927-250 DOC TYPE: PSD DOC PART: 001 REVISION: E MATERIAL NUMBER: SEE TABLE CUSTOMER: GENERAL MARKET SHEET NUMBER: 2 OF 5							
GENERAL TOLERANCES (UNLESS SPECIFIED)										EC NO: 620216	
	MM	INCH								DRWN: AKUMAR19 2018/05/31	
4 PLACES	±	±								CHK'D: GGA 2019/07/09	
3 PLACES	±	±								APPR: GGA 2019/07/09	
2 PLACES	±	0.13	±	INITIAL REVISION:							
1 PLACE	±	0.25	±	DRWN: KSIMONSO 2003/09/25							
0 PLACES	±		±	APPR: KJANOTA 2010/03/16							
ANGULAR TOL ± 1.0°				THIRD ANGLE PROJECTION							
DRAFT WHERE APPLICABLE MUST REMAIN WITHIN DIMENSIONS				DRAWING D-SIZE							
				SERIES 73927							

PCB LAYOUT FOR SINGLE SIDE MOUNTING

CROSS-HATCHED AREA DENOTES
COMPONENT AND TRACE KEEP-OUT
(EXCEPT CHASSIS GROUND)

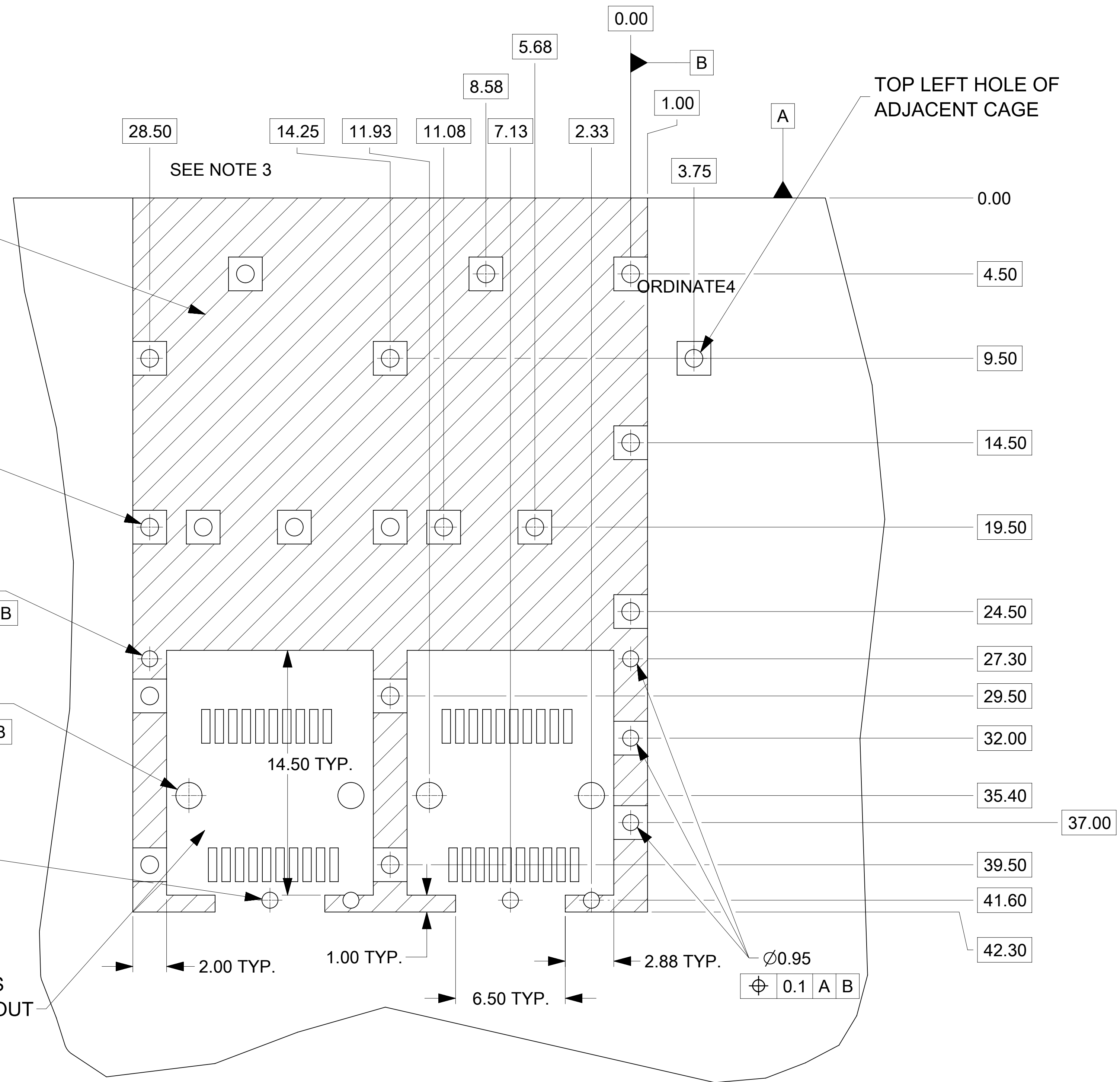
17X $\varnothing 1.05$
 $\varnothing 0.1$ A B

$\varnothing 0.95$
 $\varnothing 0.1$ A B

8X $\varnothing 1.55$
 $\varnothing 0.1$ A B

4X $\varnothing 0.95$
 $\varnothing 0.1$ A B

THIS AREA DENOTES
COMPONENT KEEP-OUT
(TRACES ALLOWED)



NOTES:

1. PADS AND VIAS GO TO CHASSIS GROUND, (19 PLACES). RECOMMENDED PADS TO BE 2mm SQUARE.
2. PLATING OPTIONAL FOR THROUGH HOLES (6 PLACES)
3. RECOMMENDED PLATING INCLUDES HASL, IMMERSION (GOLD, SILVER, OR TIN), AND OSP.
4. HOLE PATTERN REPEATS FOR EACH PORT, SPACING BETWEEN PORTS IS 14.25
5. CONNECTOR PAD LAYOUT PER SFP MSA. WILL ACCOMODATE MOLEX CONNECTOR SERIES 74441 OR EQUIVALENT.

THIS DRAWING CONTAINS INFORMATION THAT IS PROPRIETARY TO MOLEX ELECTRONIC TECHNOLOGIES, LLC AND SHOULD NOT BE USED WITHOUT WRITTEN PERMISSION

DIMENSION UNITS		SCALE		CURRENT REV DESC:	
MM		6:1			
GENERAL TOLERANCES (UNLESS SPECIFIED)				EC NO: 620216	
		MM	INCH	DRWN: AKUMAR19 2018/05/31	
4 PLACES	±			2019/07/09	
3 PLACES	±			CHK'D: GGA	
2 PLACES	±	0.13	±	APPR: GGA 2019/07/09	
1 PLACE	±	0.25	±	INITIAL REVISION:	
0 PLACES	±			DRWN: KSIMONSO 2003/09/25	
ANGULAR TOL		± 1.0°		APPR: KJANOTA 2010/03/16	
DRAFT WHERE APPLICABLE MUST REMAIN WITHIN DIMENSIONS		THIRD ANGLE PROJECTION		DRAWING SERIES	
		D-SIZE		73927	
DOCUMENT NUMBER		DOC TYPE		DOC PART	
SD-73927-250		PSD		001	
REVISION		REVISION		REVISION	
E		E		E	
MATERIAL NUMBER		CUSTOMER		SHEET NUMBER	
SEE TABLE		GENERAL MARKET		3 OF 5	

molex

1X2 SFP GANGED CAGE
ASSEMBLY PRESS FIT

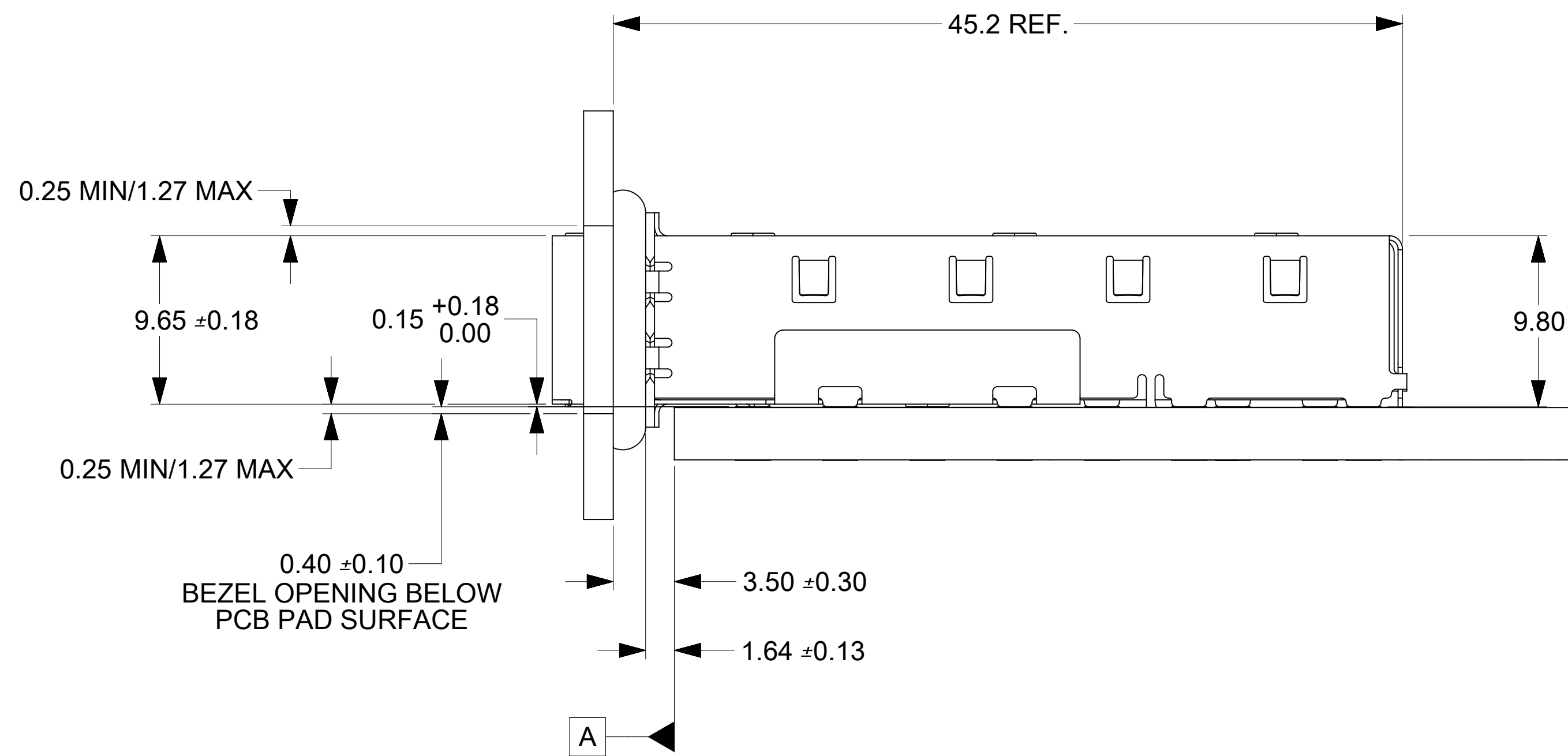
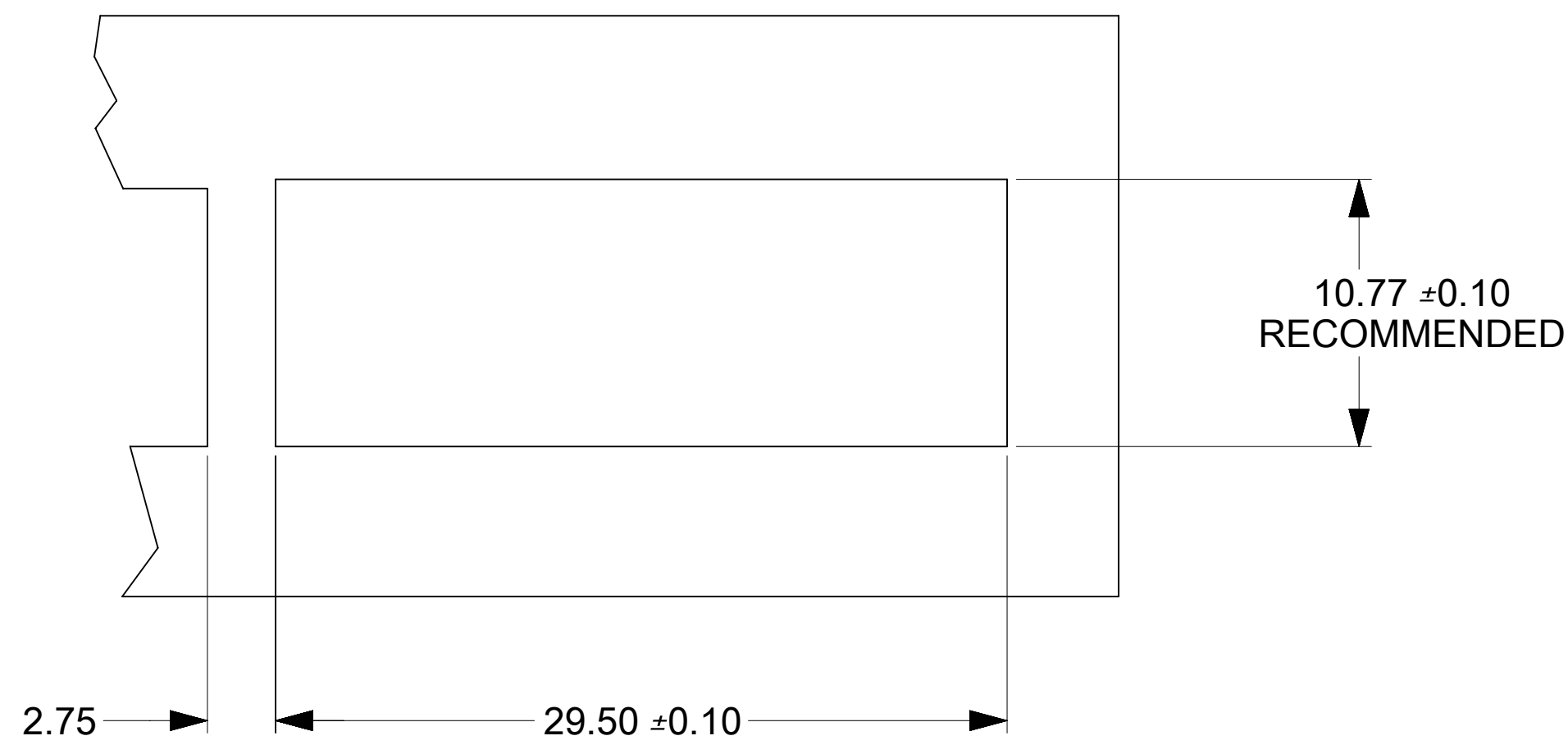
PRODUCT CUSTOMER DRAWING

DOCUMENT NUMBER DOC TYPE DOC PART REVISION

SD-73927-250 PSD 001 E

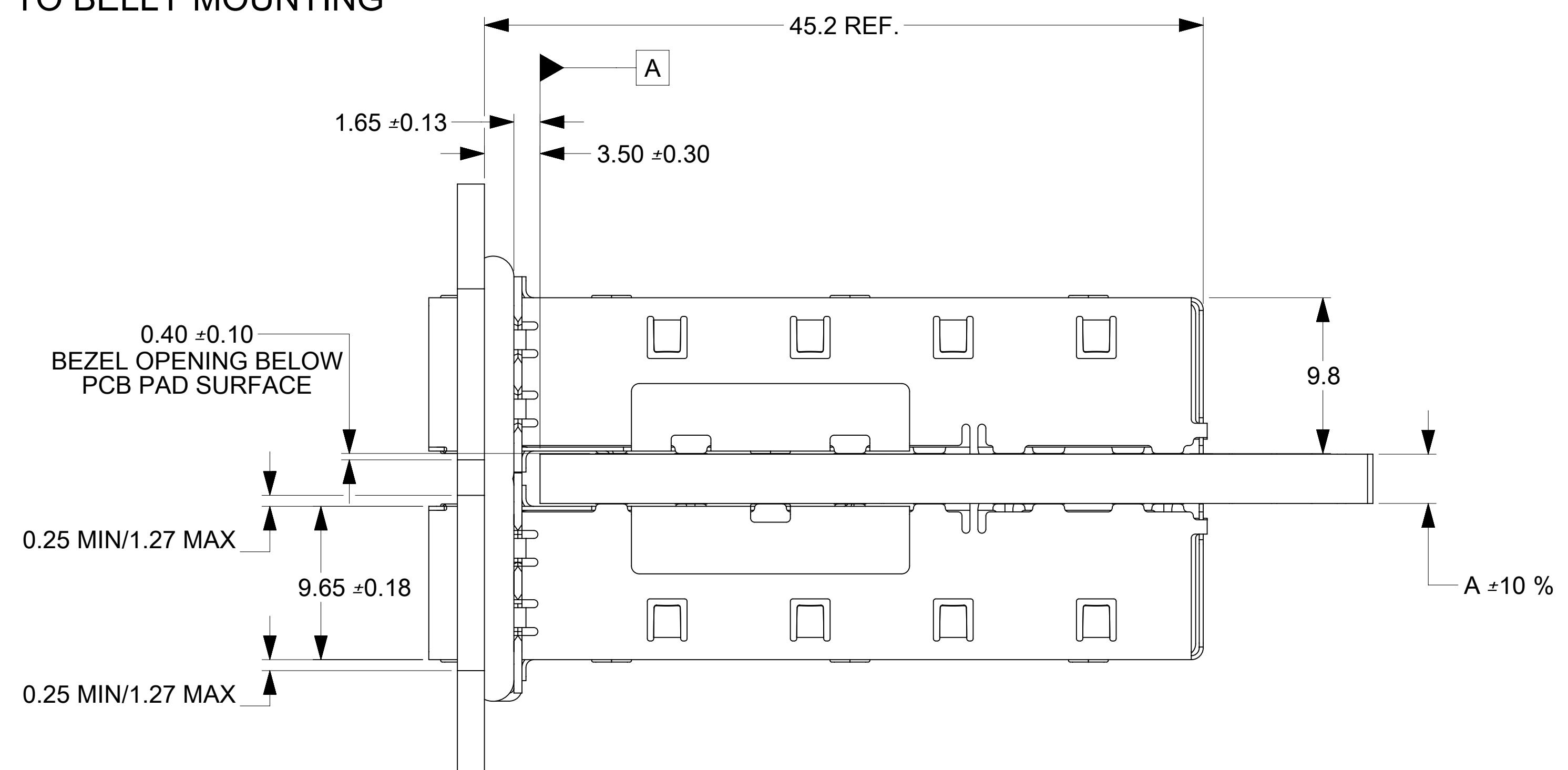
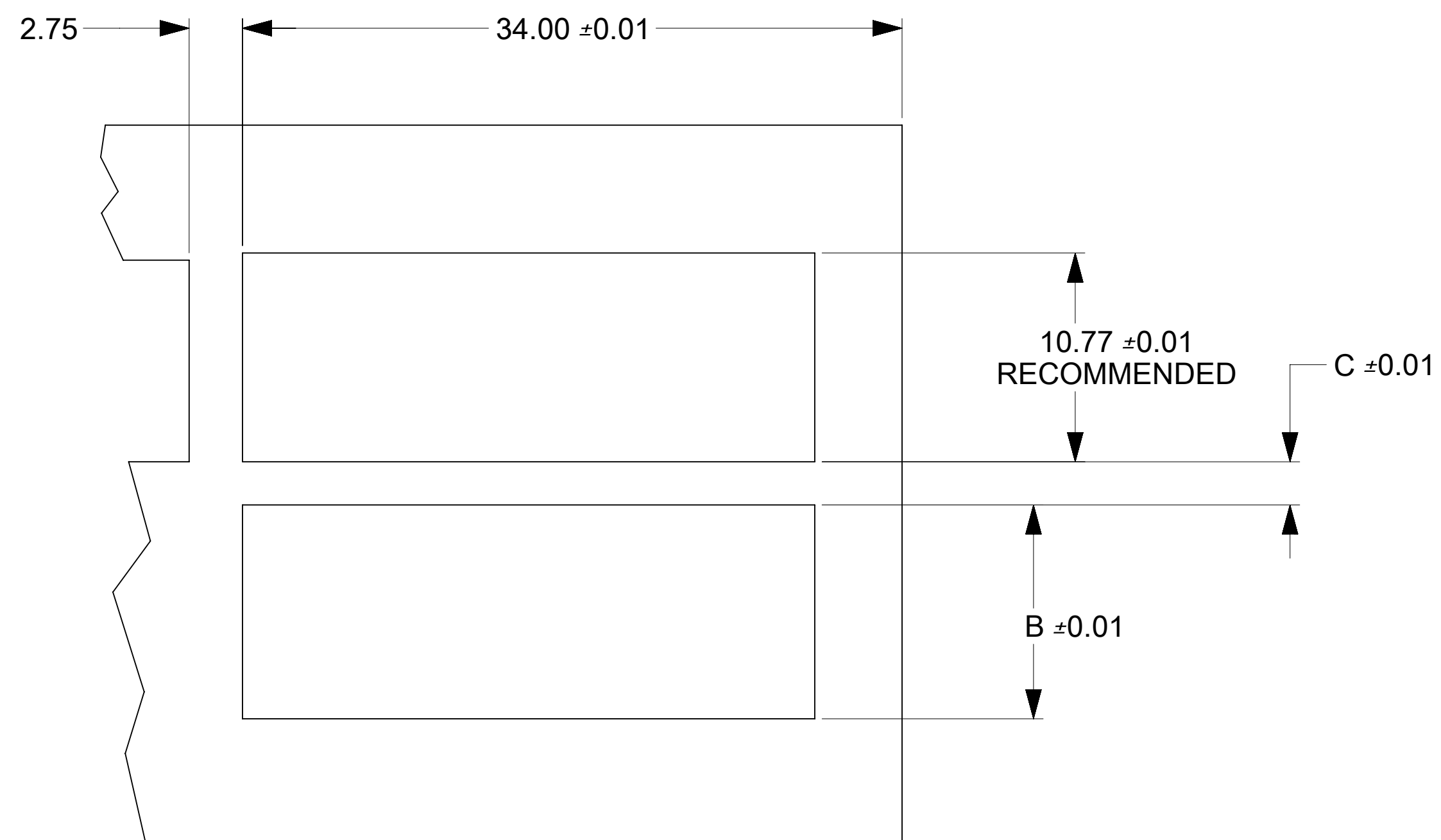
MATERIAL NUMBER CUSTOMER SHEET NUMBER

SEE TABLE GENERAL MARKET 3 OF 5



BEZEL AND BOARD POSITION DIMENSIONS FOR SINGLE SIDE MOUNTING

BEZEL AND BOARD POSITION DIMENSIONS FOR BELLY TO BELLY MOUNTING



NOTE:

1. FOR A GIVEN BOARD THICKNESS (A), DIMENSIONS (B) AND (C) ARE DIRECTLY AFFECTED.
2. USE RECOMMENDED DIMENSIONS AND TOLERANCES TO AID IN DEVELOPING BEZEL OPENING.
3. FOR EXAMPLE USING A BOARD THICKNESS OF .125" THE RECOMMENDED VALUES WOULD BE:

A= 3.18
B= 11.03
C= 2.23

THIS DRAWING CONTAINS INFORMATION THAT IS PROPRIETARY TO MOLEX ELECTRONIC TECHNOLOGIES, LLC AND SHOULD NOT BE USED WITHOUT WRITTEN PERMISSION

DIMENSION UNITS		SCALE		CURRENT REV DESC:	
MM		4:1			
GENERAL TOLERANCES (UNLESS SPECIFIED)					
	MM	INCH			
4 PLACES	±	±	EC NO: 620216		
3 PLACES	±	±	DRWN: AKUMAR19	2018/05/31	
2 PLACES	±	±	CHK'D: GGA	2019/07/09	
1 PLACE	±	±	APPR: GGA	2019/07/09	
0 PLACES	±	±	INITIAL REVISION:		
ANGULAR TOL ± 1.0°			DRWN: KSIMONSO	2003/09/25	
DRAFT WHERE APPLICABLE MUST REMAIN WITHIN DIMENSIONS			APPR: KJANOTA	2010/03/16	
THIRD ANGLE PROJECTION		DRAWING		SERIES	MATERIAL NUMBER
		D-SIZE		73927	SEE TABLE
				CUSTOMER	SHEET NUMBER
				GENERAL MARKET	4 OF 5

molex

1X2 SFP GANGED CAGE ASSEMBLY PRESS FIT

PRODUCT CUSTOMER DRAWING

DOCUMENT NUMBER	DOC TYPE	DOC PART	REVISION
SD-73927-250	PSD	001	E

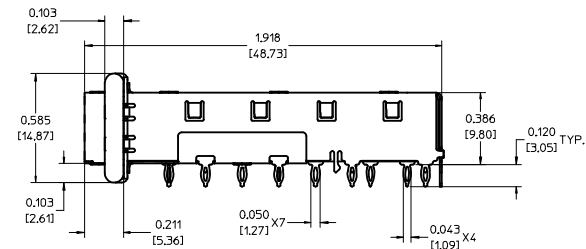
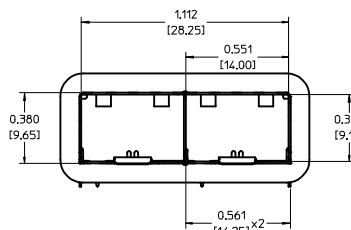
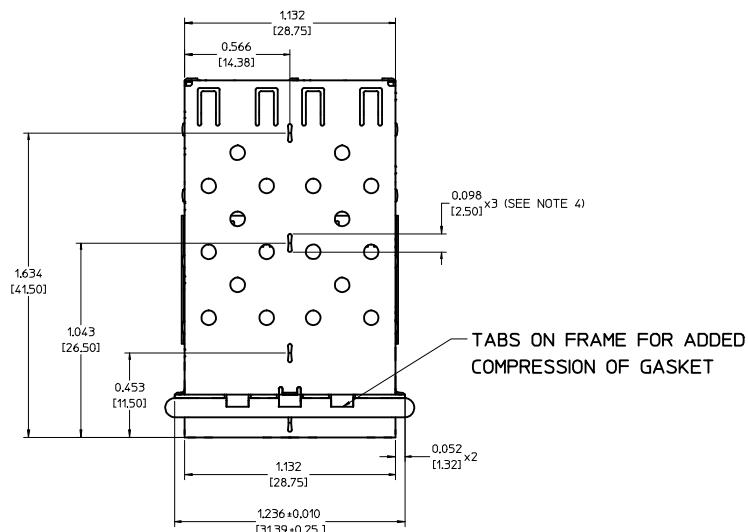
REVISION HISTORY

DATE	REV	DESCRIPTION
10/27/2003	A	INITIAL RELEASE
10/06/2005	B	ADDED PCB AND BEZEL LAYOUT
12/10/2009	C	ADDED ISO VIEW WITH WELD CALLOUT
05/05/2014	D	1. ADDED 739270254 [SHT 1] 2. ADDED "MM 3D MODEL: TM-74722-000" ON LEFT TOP CORNER [SHT 1] 3. NOTE 5 CHANGED AS "NO RoHS EXEMPTIONS" [SHT 1] 4. REMOVE ALL DIMENSIONS IN INCH [SHT 1 TO 4].
31/05/2018	E	1. OBSOLETE P/N 739270254. [SHEET 1]

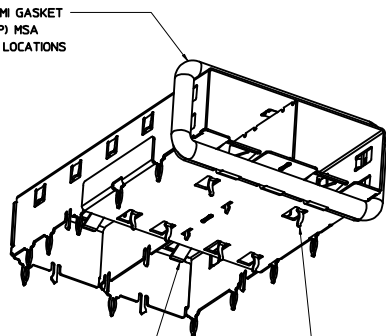
THIS DRAWING CONTAINS INFORMATION THAT IS PROPRIETARY TO MOLEX ELECTRONIC TECHNOLOGIES, LLC AND SHOULD NOT BE USED WITHOUT WRITTEN PERMISSION										
DIMENSION UNITS	SCALE	CURRENT REV DESC:			molex					
MM	1:1	EC NO: 620216 DRWN: AKUMAR19 2018/05/31 CHK'D: GGA 2019/07/09 APPR: GGA 2019/07/09 INITIAL REVISION: DRWN: KSIMONSO 2003/09/25 APPR: KJANOTA 2010/03/16			1X2 SFP GANGED CAGE ASSEMBLY PRESS FIT					
GENERAL TOLERANCES (UNLESS SPECIFIED)					PRODUCT CUSTOMER DRAWING					
					DOCUMENT NUMBER DOC TYPE DOC PART REVISION					
4 PLACES ±	±				SD-73927-250 PSD 001 E					
3 PLACES ±	±				MATERIAL NUMBER CUSTOMER SHEET NUMBER					
2 PLACES ±	0.13 ±	DRAFT WHERE APPLICABLE MUST REMAIN WITHIN DIMENSIONS			THIRD ANGLE PROJECTION DRAWING		SERIES D-SIZE 73927		SEE TABLE GENERAL MARKET 5 OF 5	
1 PLACE ±	0.25 ±									
0 PLACES ±	±									
ANGULAR TOL ± 1.0 °										

NOTES:

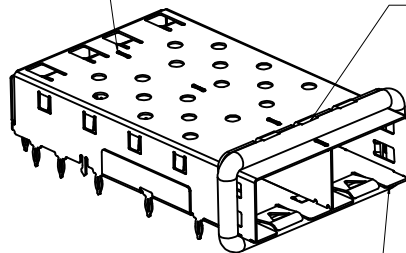
1. PRESS FIT LEGS 0.120" LONG-
0.062 [1.57] MINIMUM PCB THICKNESS FOR SINGLE SIDED USE.
THIS CAGE IS NOT DESIGNED FOR USE IN BELLY-TO-BELLY APPLICATIONS.
2. MATERIAL: COPPER ALLOY
PLATING: PRE-PLATED NICKEL
3. REFERENCE DOCUMENTS:
PRODUCT SPECIFICATION: PS-74728-000
COSMETIC SPECIFICATIONS: WI-HP-2774 AND WI-HPA-7-0093
TEST SUMMARY: TS-74722-0001.
4. MATES WITH SERIES 74727, LIGHT PIPE COVER ASSEMBLY.
5. THIS PART MEETS THE RESTRICTION OF HAZARDOUS SUBSTANCES IN ELECTRICAL AND ELECTRONIC EQUIPMENT (ROHS) DIRECTIVE (2002/95/EC).



360° ELASTOMER EMI GASKET COMPLIES WITH (SFP) MSA BOARD AND BEZEL LOCATIONS



INNER WALL TABS ARE COINED OVER BASE AND COVER FOR RIGIDITY



FRAME HAS TABS TO ADD COMPRESSION OF GASKET AGAINST CAGE FOR ENHANCED EMI PERFORMANCE. GASKET SEAM IS LOCATED ON TOP OF CAGE.

DIMENSIONS OF EACH INNER CAGE DESIGNED TO FUNCTION WITH SMALL FORM-FACTOR PLUGGABLE (SFP) TRANSCEIVER

ENTER DESCRIPTION IEC NO: USY2006-0073 DRAWN BY: KSI MONSON 2006/01/17 CHECKED BY: CHYK BRUSSELL 2006/01/20 APPROVED BY: BRUSSELL 2006/01/25 REV:	QUALITY SYMBOLS ▽=0 ▽=0	GENERAL TOLERANCES (UNLESS SPECIFIED) <table border="1"> <tr> <th></th> <th>mm</th> <th>INCH</th> </tr> <tr> <td>4 PLACES</td> <td>±.005</td> <td>±.0005</td> </tr> <tr> <td>3 PLACES</td> <td>±.005</td> <td>±.0005</td> </tr> <tr> <td>2 PLACES</td> <td>±.013</td> <td>±.0010</td> </tr> <tr> <td>1 PLACE</td> <td>±.025</td> <td>±.0010</td> </tr> </table> ANGULAR ± 1°		mm	INCH	4 PLACES	±.005	±.0005	3 PLACES	±.005	±.0005	2 PLACES	±.013	±.0010	1 PLACE	±.025	±.0010	DIMENSION STYLE IN/MM	SCALE 3:1	DESIGN UNITS METRIC	THIRD ANGLE PROJECTION
		mm	INCH																		
	4 PLACES	±.005	±.0005																		
	3 PLACES	±.005	±.0005																		
2 PLACES	±.013	±.0010																			
1 PLACE	±.025	±.0010																			
DRAWN BY: KSI MONSON 2005/10/06 CHECKED BY: BRUSSELL 2005/10/06 APPROVED BY: BRUSSELL 2005/10/06	MATERIAL NO: 747220004	TITLE: 1X2 SFP GANGED CAGE ASSY, FRAME W/ TABS PRE-PLATED	DOCUMENT NO: SD-74722-004	SHEET NO: 1 OF 4	MOLEX INCORPORATED																
DRAFT WHERE APPLICABLE MUST REMAIN WITHIN DIMENSIONS																					
THIS DRAWING CONTAINS INFORMATION THAT IS PROPRIETARY TO MOLEX INCORPORATED AND SHOULD NOT BE USED WITHOUT WRITTEN PERMISSION																					

PCB LAYOUT FOR SINGLE SIDE MOUNTING

CROSS-HATCHED AREA DENOTES COMPONENT AND TRACE KEEP-OUT (EXCEPT CHASSIS GROUND)

$\phi .041$ X17
 $\Phi .004[A|B]$

$\phi .037$ X8
 $\Phi .004[A|B]$

$\phi .061$ X8
 $\Phi .004[A|B]$

$\phi .037$ X4
 $\Phi .004[A|B]$

THIS AREA DENOTES COMPONENT KEEP-OUT (TRACES ALLOWED)

SEE DETAIL 1

SEE NOTE 3

TOP LEFT HOLE OF ADJACENT CAGE

.000
[0.00]

.469 [11.93] .338 [8.58] .224 [5.68]
.561 [14.25] .436 [11.08] .281 [7.13] .092 [2.33] .039 [1.00] .148 [3.75]

.000 [0.00]

.177 [4.50]

.374 [9.50]

.571 [14.50]

.768 [19.50]

.965 [24.50]

1.075 [27.30]

1.161 [29.50]

1.260 [32.00]

1.394 [35.40]

1.457 [37.00]

1.555 [39.50]

1.638 [41.60]

1.665 [42.30]

.079 TYP. [2.00]

.039 TYP. [1.00]

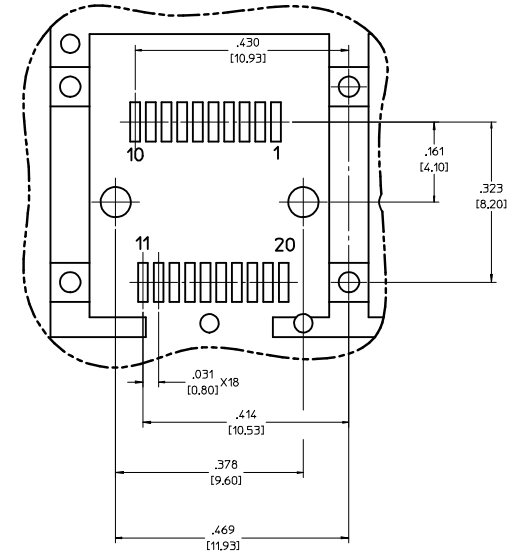
.256 TYP. [6.50]

.113 TYP. [2.88]

$\phi .037$ [0.95]
 $\Phi .004[A|B]$

.571 TYP. [14.50]

DETAIL 1
SCALE 8:1



NOTES:

1. PADS AND VIAS GO TO CHASSIS GROUND. (19 PLACES).
RECOMMENDED PADS TO BE 2mm SQUARE.

2. PLATING OPTIONAL FOR THROUGH HOLES (6 PLACES)

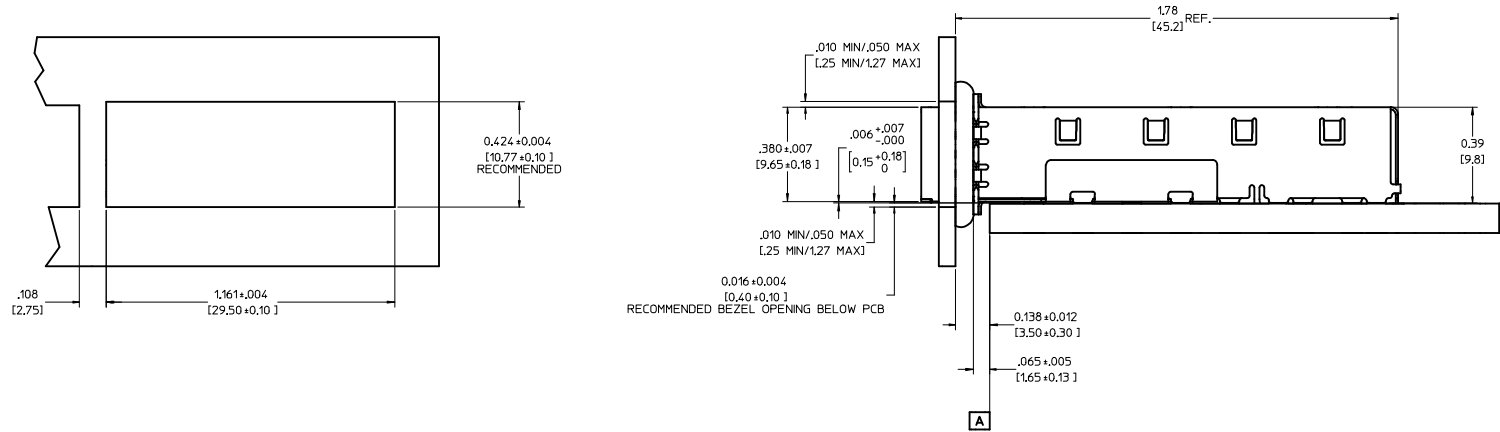
3. RECOMMENDED PLATING INCLUDES HASL, IMMERSION (GOLD, SILVER, OR TIN), AND OSP.

4. HOLE PATTERN REPEATS FOR EACH PORT.
SPACING BETWEEN PORTS IS 0.561 [14.25]

5. CONNECTOR PAD LAYOUT PER SFP MSA. WILL ACCOMMODATE MOLEX CONNECTOR SERIES 74441 OR EQUIVALENT.

ENTER DESCRIPTION IEC NO: USY2006-0073 DRAWN BY: KSI MONSON 2006/01/17 CHECKED BY: CHYD BRUSSELL 2006/01/20 APPROVED BY: BRUSSELL 2006/01/25	QUALITY SYMBOLS ▽=0 ▽=0	GENERAL TOLERANCES (UNLESS SPECIFIED)		DIMENSION STYLE IN/MM	SCALE 6:1	DESIGN UNITS METRIC	THIRD ANGLE PROJECTION		
		4 PLACES ±.--- ±.---	3 PLACES ±.--- ±.005	2 PLACES ±0.13 ±0.10	1 PLACE ±0.25 ±.---	ANGULAR ± 1°	DRAWN BY: KSI MONSON DATE: 2005/10/06	CHECKED BY: BRUSSELL DATE: 2005/10/06	TITLE: 1X2 SFP GANGED CAGE ASSY, FRAME W/ TABS PRE-PLATED
		DRAFT WHERE APPLICABLE MUST REMAIN WITHIN DIMENSIONS		MATERIAL NO: 747220004	DOCUMENT NO: SD-74722-004	MOLEX INCORPORATED		SHEET NO: 2 OF 4	
		THIS DRAWING CONTAINS INFORMATION THAT IS PROPRIETARY TO MOLEX INCORPORATED AND SHOULD NOT BE USED WITHOUT WRITTEN PERMISSION							

BEZEL AND BOARD POSITION DIMENSIONS FOR SINGLE SIDE MOUNTING



ENTER DESCRIPTION IEC NO: USY2006-0073 DRAWN BY: DRYNKS IMONSON 2006/01/17 CHYKORUSSELL 2006/01/20 APPROVED BY: APPR:BRUSSELL 2006/01/25	QUALITY SYMBOLS ▽=0 ▽=0	GENERAL TOLERANCES (UNLESS SPECIFIED)		DIMENSION STYLE IN/MM	SCALE 4:1	DESIGN UNITS METRIC	THIRD ANGLE PROJECTION
		4 PLACES ± .--- ± .--- 3 PLACES ± .--- ± .005 2 PLACES ± 0.13 ± .010 1 PLACE ± 0.25 ± .--- ANGULAR ± 1 °	DRAWN BY: KS IMONSON 2005/10/06 CHECKED BY: BRUSSELL 2005/10/06 APPROVED BY: BRUSSELL 2005/10/06	TITLE 1X2 SFP GANGED CAGE ASSY, FRAME W/ TABS PRE-PLATED		MATERIAL NO: 747220004	
DRAFT WHERE APPLICABLE MUST REMAIN WITHIN DIMENSIONS		WATER NO: 747220004		SHEET NO: 3 OF 4		MOLEX INCORPORATED	

20 19 18 17 16 15 14 13 12 11 10 9 8 7 6 5 4 3 2 1

DATE	REV	CHANGES	COMMENTS
2005/10/06	A	INITIAL RELEASE	N/A

ENTER DESCRIPTION IEC NO: USY2006-0073 DRAWN BY: DRANKS IMONSON 2006/01/17 CHECKED BY: CHYD BRUSSELL 2006/01/20 APPR: BRUSSELL 2006/01/25	QUALITY SYMBOLS ▽=0 ▽=0	GENERAL TOLERANCES (UNLESS SPECIFIED) <table border="1"> <tr> <th></th> <th>mm</th> <th>INCH</th> </tr> <tr> <td>4 PLACES</td> <td>±.005</td> <td>±.0005</td> </tr> <tr> <td>3 PLACES</td> <td>±.010</td> <td>±.0010</td> </tr> <tr> <td>2 PLACES</td> <td>±0.13</td> <td>±.010</td> </tr> <tr> <td>1 PLACE</td> <td>±0.25</td> <td>±.010</td> </tr> </table> ANGULAR ± 1°		mm	INCH	4 PLACES	±.005	±.0005	3 PLACES	±.010	±.0010	2 PLACES	±0.13	±.010	1 PLACE	±0.25	±.010	DIMENSION STYLE IN/MM SCALE 1:1 DESIGN UNITS METRIC THIRD ANGLE PROJECTION	DRAWN BY: DATE KS IMONSON 2005/10/06 CHECKED BY: DATE BRUSSELL 2005/10/06 APPROVED BY: DATE BRUSSELL 2005/10/06	TITLE 1X2 SFP GANGED CAGE ASSY. FRAME W/ TABS PRE-PLATED
		mm	INCH																	
	4 PLACES	±.005	±.0005																	
	3 PLACES	±.010	±.0010																	
2 PLACES	±0.13	±.010																		
1 PLACE	±0.25	±.010																		
MATERIAL NO. 747220004	DOCUMENT NO. SD-74722-004	MOLEX INCORPORATED	SHEET NO. 4 OF 4																	
DRAFT WHERE APPLICABLE MUST REMAIN WITHIN DIMENSIONS				THIS DRAWING CONTAINS INFORMATION THAT IS PROPRIETARY TO MOLEX INCORPORATED AND SHOULD NOT BE USED WITHOUT WRITTEN PERMISSION																
SIZE D																				

19 18 17 16 15 14 13 12 11 10 9 8 7 6 5 4 3 2 1