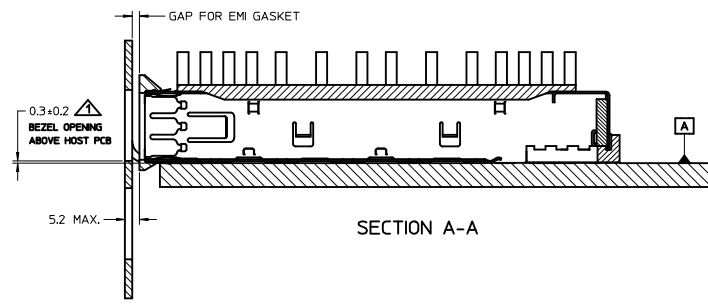
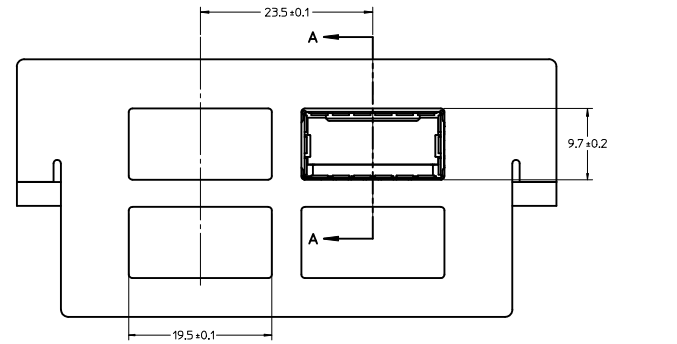
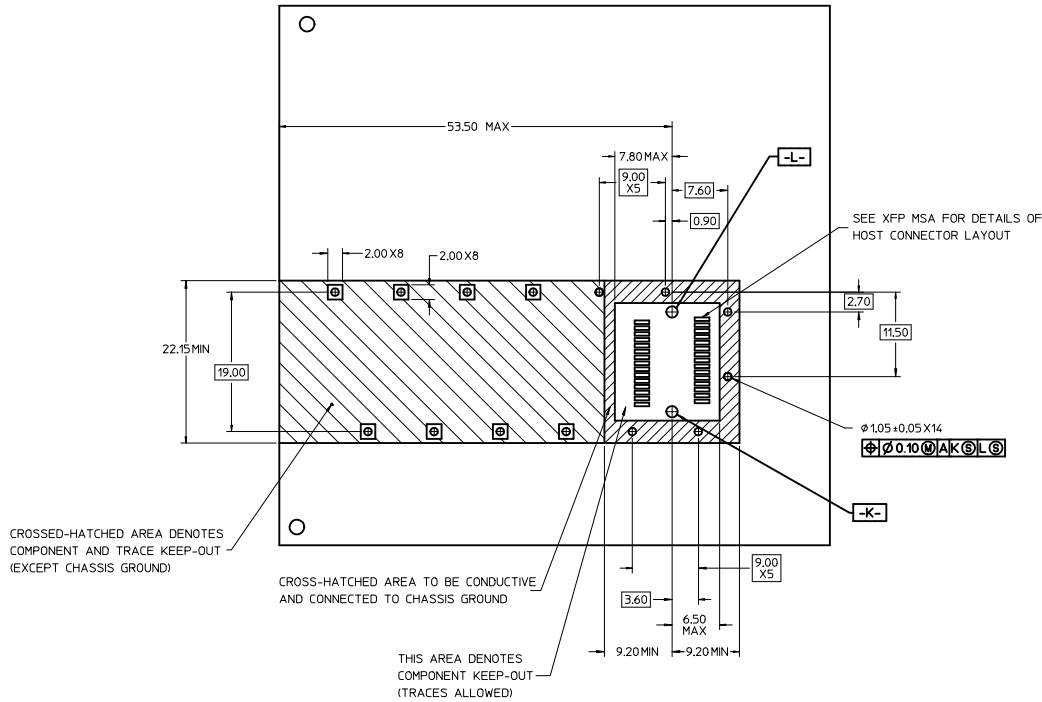


1. PRESS FIT LEGS 2.28mm [0.090"]
2. SINGLE SIDED BOARD THICKNESS
 NOMINAL: 1.60 [0.062"]
 MINIMUM: 1.44 [0.057"]
 BELLY TO BELLY BOARD THICKNESS
 NOMINAL: 2.30 [0.090"]
 MINIMUM: 2.07 [0.081"]
3. REFERENCE DOCUMENTS:
 PRODUCT SPECIFICATION: XFP MSA
4. THIS PRODUCT MEETS THE RESTRICTION OF HAZARDOUS SUBSTANCES IN ELECTRICAL AND ELECTRONIC EQUIPMENT (RoHS) DIRECTIVE (2009/95/EC).

ADDED NOTE PG 2 EC NO: USY2011-0301 DRAWN: JERWIN 2010/03/10 CHECKED: CHRISCHY APPROVED: RAHMOOD 2010/11/23	QUALITY SYMBOLS ▽=0 ▽=0	GENERAL TOLERANCES (UNLESS SPECIFIED)		DIMENSION STYLE	SCALE	DESIGN UNITS	THIRD ANGLE PROJECTION	
				MM ONLY	3:1	METRIC		
				DRAWN BY DATE		TITLE		
				JERWIN 2008/09/10		XFP CAGE ASSEMBLY W/ INSULATING TAPE		
		CHECKED BY DATE		MATERIAL NO.			DOCUMENT NO.	
		CHRISCHY 2008/08/10		747360451		SD-74736-0451		
		APPROVED BY DATE		SIZE		SHEET NO.		
		RAHMOOD 2010/11/23		D THIS DRAWING CONTAINS INFORMATION THAT IS PROPRIETARY TO MOLEX INCORPORATED AND SHOULD NOT BE USED WITHOUT WRITTEN PERMISSION		1 OF 3		
		DRAFT WHERE APPLICABLE MUST REMAIN WITHIN DIMENSIONS						

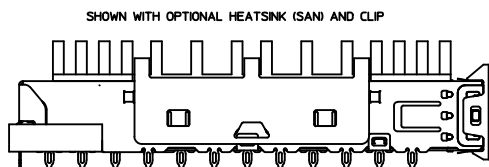
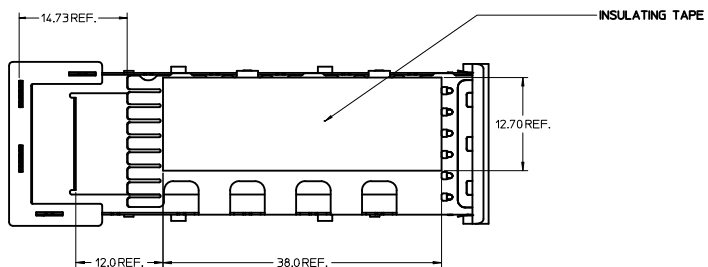
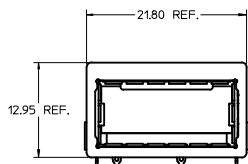
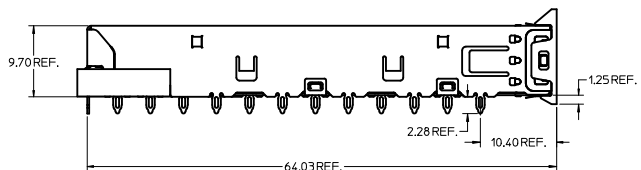
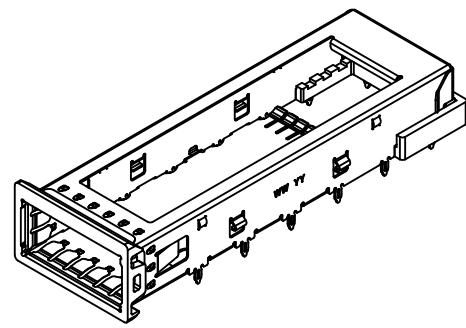
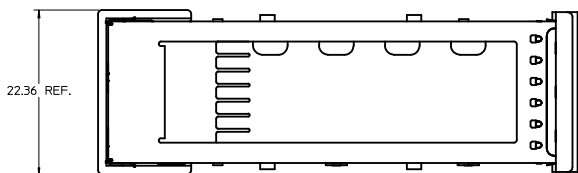


▲ FOR PCI APPLICATIONS RECOMMENDED DIMENSION IS 0.4 ±0.1

ADDED NOTE PG 2 EC NO: USY2011-0301 DRAWN: JERWIN 2010/03/01 CHKD: CHIRSCHY APPR: RAHMOOD 2010/11/23	QUALITY SYMBOLS	GENERAL TOLERANCES (UNLESS SPECIFIED)	DIMENSION STYLE	SCALE	DESIGN UNITS	THIRD ANGLE PROJECTION
	▼=0 ▽=0	mm INCH 4 PLACES ± --- ± --- 3 PLACES ± --- ± --- 2 PLACES ± 0.10 ± --- 1 PLACE ± 0.25 ± --- ANGULAR ± 1°	MM ONLY	3:1	METRIC	☉ THIRD ANGLE PROJECTION
	DESCRIPTION	TITLE	XFP CAGE ASSEMBLY W/ INSULATING TAPE			
	MATERIAL NO: 747360451	DATE 2010/11/23	MOLEX INCORPORATED			
DRAFT WHERE APPLICABLE MUST REMAIN WITHIN DIMENSIONS		SHEET NO: 2 OF 3	DOCUMENT NO: SD-74736-0451			

DATE	REV	DESCRIPTION
2008/09/10	A	1. INITIAL RELEASE
2009/05/07	B	1. REMOVED ISO VIEW FROM PAGE 1
		2. ADDED NOTES TO PAGE 1
		3. REMOVED NOTE 2 FROM PAGE 2
		4. REMOVED NOTE 3 FROM PAGE 1 AND RENUMBERED REMAINING NOTES
2010/03/01	C	1. ADDED NOTE - THIS AREA DENOTES COMPONENT KEEP-OUT (TRACES ALLOWED) PAGE 2.

REMOVED ISO VIEW IEC NO. USY2011-0301 DRAWN: JERWIN 2010/03/01 CHECKED: CHYK & CHRSCHY APPROVED: RMAHMOOD 2010/11/23	QUALITY SYMBOLS	GENERAL TOLERANCES (UNLESS SPECIFIED)	DIMENSION STYLE	SCALE	DESIGN UNITS	THIRD ANGLE PROJECTION
	=0 =0	mm INCH 4 PLACES ± --- ± --- 3 PLACES ± --- ± --- 2 PLACES ± 0.10 ± --- 1 PLACE ± 0.25 ± --- ANGULAR ± 1°	MM ONLY	1:1	METRIC	
		DRAFT WHERE APPLICABLE MUST REMAIN WITHIN DIMENSIONS	DRAWN BY DATE JERWIN 2008/09/10 CHECKED BY DATE CHRSCHY 2008/08/10 APPROVED BY DATE RMAHMOOD 2010/11/23	TITLE		XFP CAGE ASSEMBLY W/ INSULATING TAPE
			MATERIAL NO. 747360451	DOCUMENT NO. SD-74736-0451		SHEET NO. 3 OF 3

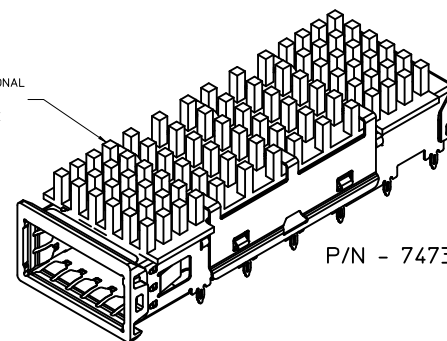
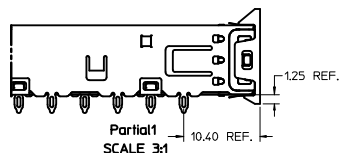
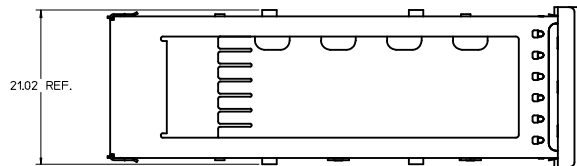


1. PRESS FIT LEGS 2.28mm [0.090"]
2. SINGLE SIDED BOARD THICKNESS
 NOMINAL: 1.60 [0.062"]
 MINIMUM: 1.44 [0.057"]
 BELLY TO BELLY BOARD THICKNESS
 NOMINAL: 2.30 [0.090"]
 MINIMUM: 2.07 [0.081"]
3. REFERENCE DOCUMENTS:
 PRODUCT SPECIFICATION: XFP MSA
4. THIS PRODUCT MEETS THE RESTRICTION OF HAZARDOUS SUBSTANCES IN ELECTRICAL AND ELECTRONIC EQUIPMENT (RoHS) DIRECTIVE (2009/95/EC).

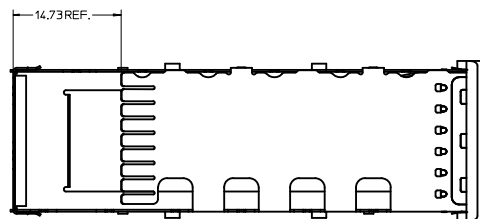
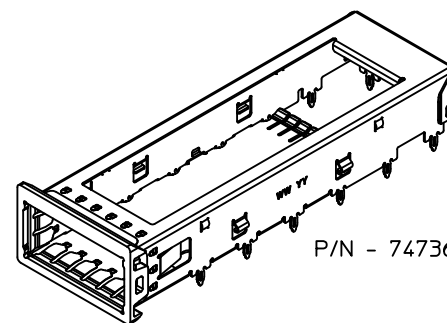
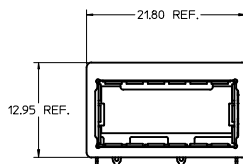
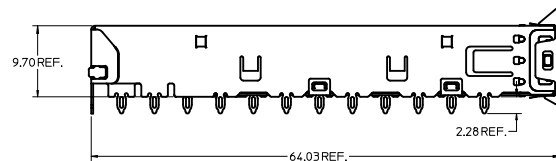
ADDED NOTE PG 2 EC NO: USY2011-0301 DRAWN: JERWIN 2010/03/10 CHECKED: CHRISCHY APPROVED: RAHMOOD 2010/11/23	QUALITY SYMBOLS	GENERAL TOLERANCES (UNLESS SPECIFIED)	DIMENSION STYLE	SCALE	DESIGN UNITS	THIRD ANGLE PROJECTION															
	▼=0 ▽=0	<table border="1"> <thead> <tr> <th></th> <th>mm</th> <th>INCH</th> </tr> </thead> <tbody> <tr> <td>4 PLACES</td> <td>±.005</td> <td>±.0005</td> </tr> <tr> <td>3 PLACES</td> <td>±.008</td> <td>±.0008</td> </tr> <tr> <td>2 PLACES</td> <td>±.010</td> <td>±.0010</td> </tr> <tr> <td>1 PLACE</td> <td>±.025</td> <td>±.0025</td> </tr> </tbody> </table> ANGULAR ± 1°		mm	INCH	4 PLACES	±.005	±.0005	3 PLACES	±.008	±.0008	2 PLACES	±.010	±.0010	1 PLACE	±.025	±.0025	MM ONLY DRAWN BY: JERWIN DATE: 2008/09/10 CHECKED BY: CHRISCHY DATE: 2008/08/10 APPROVED BY: RAHMOOD DATE: 2010/11/23	3:1	METRIC	TITLE: XFP CAGE ASSEMBLY W/ INSULATING TAPE MOLEX INCORPORATED
		mm	INCH																		
	4 PLACES	±.005	±.0005																		
3 PLACES	±.008	±.0008																			
2 PLACES	±.010	±.0010																			
1 PLACE	±.025	±.0025																			
DRAFT WHERE APPLICABLE MUST REMAIN WITHIN DIMENSIONS	MATERIAL NO: 747360451 SIZE: D	DOCUMENT NO: SD-74736-0451	SHEET NO: 1 OF 3																		

DATE	REV	DESCRIPTION
2008/09/10	A	1. INITIAL RELEASE
2009/05/07	B	1. REMOVED ISO VIEW FROM PAGE 1
		2. ADDED NOTES TO PAGE 1
		3. REMOVED NOTE 2 FROM PAGE 2
		4. REMOVED NOTE 3 FROM PAGE 1 AND RENUMBERED REMAINING NOTES
2010/03/01	C	1. ADDED NOTE - THIS AREA DENOTES COMPONENT KEEP-OUT (TRACES ALLOWED) PAGE 2.

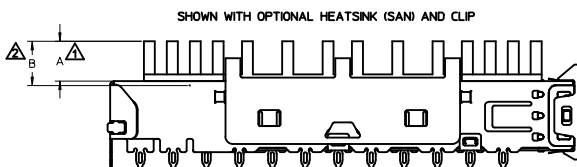
REMOVED ISO VIEW IEC NO. USY2011-0301 DRAWN: JERWIN 2010/03/01 CHECKED: CHYK & CHRSCHY APPROVED: RMAHMOOD 2010/11/23	QUALITY SYMBOLS	GENERAL TOLERANCES (UNLESS SPECIFIED)	DIMENSION STYLE	SCALE	DESIGN UNITS	THIRD ANGLE PROJECTION															
	▽=0 ▽=0	<table border="1"> <thead> <tr> <th></th> <th>mm</th> <th>INCH</th> </tr> </thead> <tbody> <tr> <td>4 PLACES</td> <td>±---</td> <td>±---</td> </tr> <tr> <td>3 PLACES</td> <td>±---</td> <td>±---</td> </tr> <tr> <td>2 PLACES</td> <td>±0.10</td> <td>±---</td> </tr> <tr> <td>1 PLACE</td> <td>±0.25</td> <td>±---</td> </tr> </tbody> </table> ANGULAR ± 1°		mm	INCH	4 PLACES	±---	±---	3 PLACES	±---	±---	2 PLACES	±0.10	±---	1 PLACE	±0.25	±---	MM ONLY DRAWN BY: JERWIN DATE: 2008/09/10 CHECKED BY: CHRSCHY DATE: 2008/08/10 APPROVED BY: RMAHMOOD DATE: 2010/11/23	1:1	METRIC	TITLE: XFP CAGE ASSEMBLY W/ INSULATING TAPE MOLEX INCORPORATED
		mm	INCH																		
	4 PLACES	±---	±---																		
3 PLACES	±---	±---																			
2 PLACES	±0.10	±---																			
1 PLACE	±0.25	±---																			
DRAFT WHERE APPLICABLE MUST REMAIN WITHIN DIMENSIONS	MATERIAL NO. 747360451 SIZE D	DOCUMENT NO. SD-74736-0451 SHEET NO. 3 OF 3																			
THIS DRAWING CONTAINS INFORMATION THAT IS PROPRIETARY TO MOLEX INCORPORATED AND SHOULD NOT BE USED WITHOUT WRITTEN PERMISSION																					



HEATSINK SINK AND CLIP ARE OPTIONAL
SEE CHART FOR HEATSINK OPTIONS
CUSTOM HEATSINKS ARE AVAILABLE

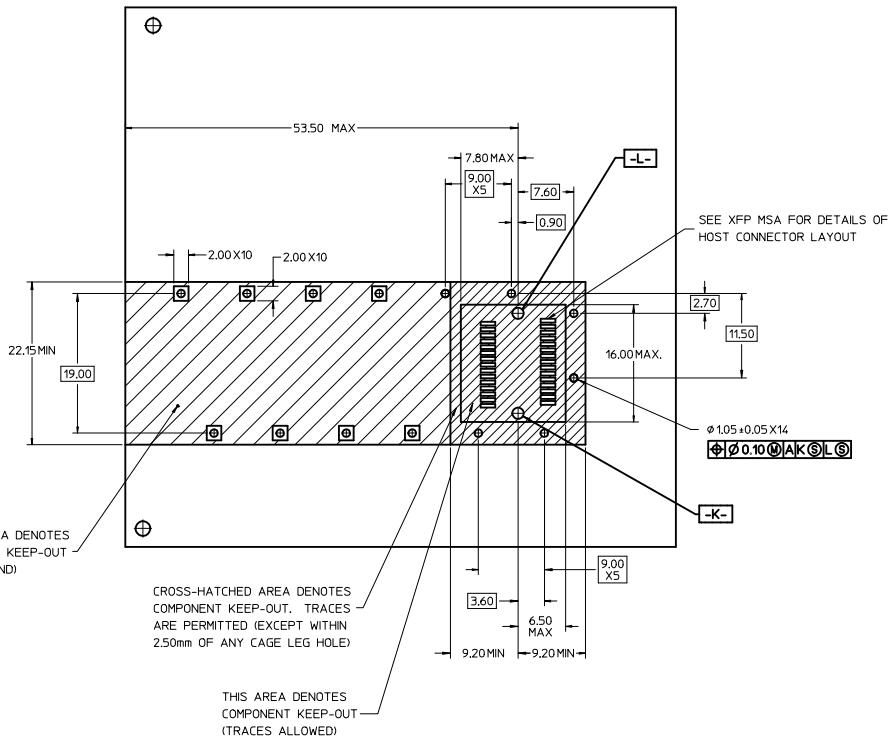


PART NUMBER FOR XFP CAGE ASSEMBLY & PARTS (W/OUT ELASTOMER EMI GASKET)					
P/N	DIM A	DIM B	DESCRIPTION	POWER LEVEL	THERMAL RESISTANCE @200 LFM
747360210	N/A	N/A	XFP CAGE WITH NO HEATSINK OR CLIP	N/A	N/A
747360211	4.0	4.2	XFP CAGE WITH PCI HEATSINK	UP TO 1.5W	<18.0 C/W
747360212	6.3	6.5	XFP CAGE WITH SAN HEATSINK (SHOWN)	UP TO 2.5W	<11.5 C/W
747360213	13.3	13.5	XFP CAGE WITH TALL HEATSINK	UP TO 3.5W	<8.0 C/W
747360230	N/A	N/A	HEATSINK CLIP ONLY	N/A	N/A
747360240	N/A	N/A	PCI HEATSINK ONLY	UP TO 1.5W	<18.0 C/W
747360241	N/A	N/A <td SAN HEATSINK ONLY	UP TO 2.5W	<11.5 C/W	
747360242	N/A	N/A	TALL HEATSINK ONLY	UP TO 3.5W	<8.0 C/W

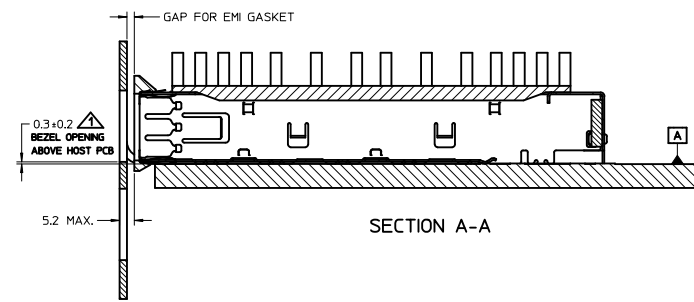
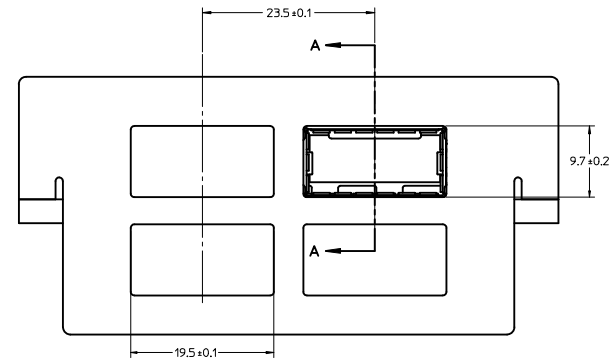


- ▲ MAXIMUM HEIGHT OF HEATSINK WITH MODULE INSERTED
- ▲ OVERALL HEIGHT OF HEATSINK
- 3. OTHER HEATSINK DESIGNS ARE AVAILABLE INCLUDING CUSTOM DESIGNS

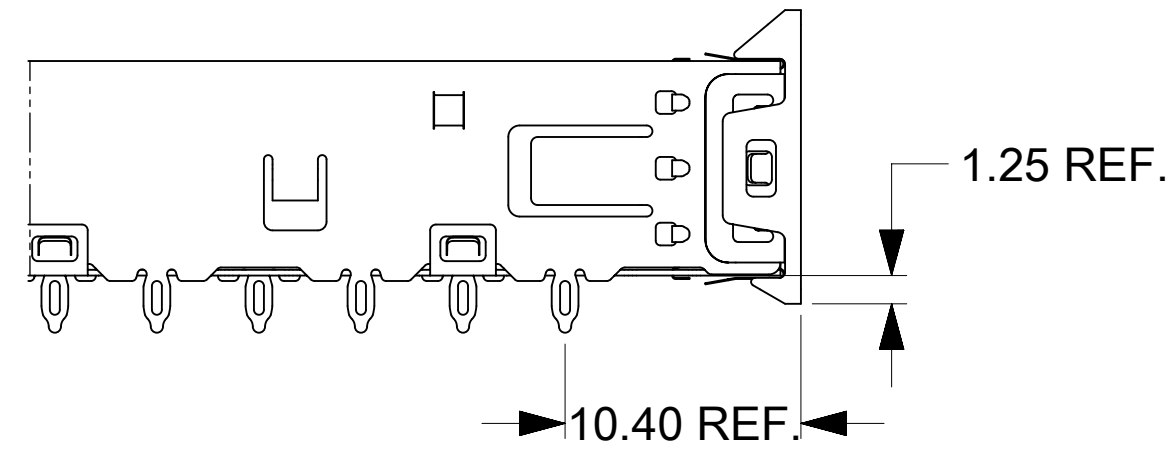
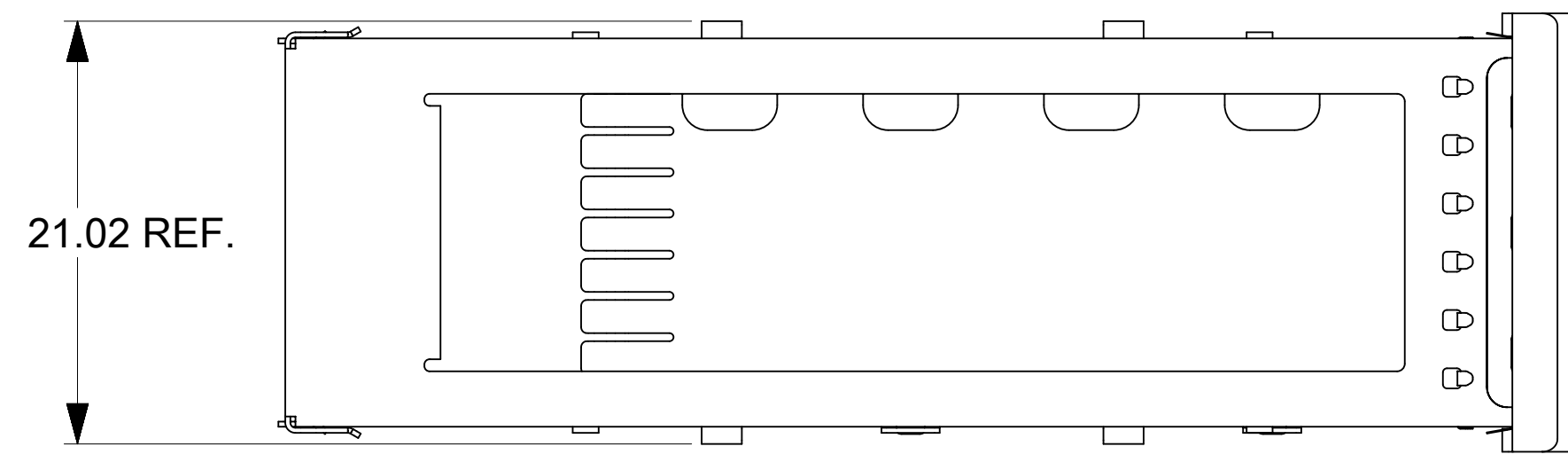
ADDED NOTE PG 2 EC NO: USY2011-0301 DRAWN BY: ERWIN 2010/06/07 CHECKED BY: CHYKCHIRSHY 2010/10/13 APPROVED BY: RAHMOOD 2010/11/23	QUALITY SYMBOLS ▽=0 ▽=0	GENERAL TOLERANCES (UNLESS SPECIFIED) <table border="1"> <tr> <th></th> <th>mm</th> <th>INCH</th> </tr> <tr> <td>4 PLACES</td> <td>±.004</td> <td>±.0001</td> </tr> <tr> <td>3 PLACES</td> <td>±.005</td> <td>±.0002</td> </tr> <tr> <td>2 PLACES</td> <td>±.010</td> <td>±.0004</td> </tr> <tr> <td>1 PLACE</td> <td>±.025</td> <td>±.0010</td> </tr> </table> ANGULAR ± 1°		mm	INCH	4 PLACES	±.004	±.0001	3 PLACES	±.005	±.0002	2 PLACES	±.010	±.0004	1 PLACE	±.025	±.0010	DIMENSION STYLE MM ONLY	SCALE 3:1	DESIGN UNITS METRIC	THIRD ANGLE PROJECTION
		mm	INCH																		
	4 PLACES	±.004	±.0001																		
	3 PLACES	±.005	±.0002																		
2 PLACES	±.010	±.0004																			
1 PLACE	±.025	±.0010																			
DRAWN BY: KLOYD 2004/12/02 CHECKED BY: BRUSSELL 2004/12/02 APPROVED BY: RAHMOOD 2010/11/23	DRAFT WHERE APPLICABLE MUST REMAIN WITHIN DIMENSIONS		SEE CHART	MATERIAL NO.	DOCUMENT NO.	TITLE XFP CAGE ASSEMBLY WITHOUT ELASTOMER EMI GASKET															
MOLEX INCORPORATED			SD-74736-210	SHEET NO. 1 OF 2	THIS DRAWING CONTAINS INFORMATION THAT IS PROPRIETARY TO MOLEX INCORPORATED AND SHOULD NOT BE USED WITHOUT WRITTEN PERMISSION																



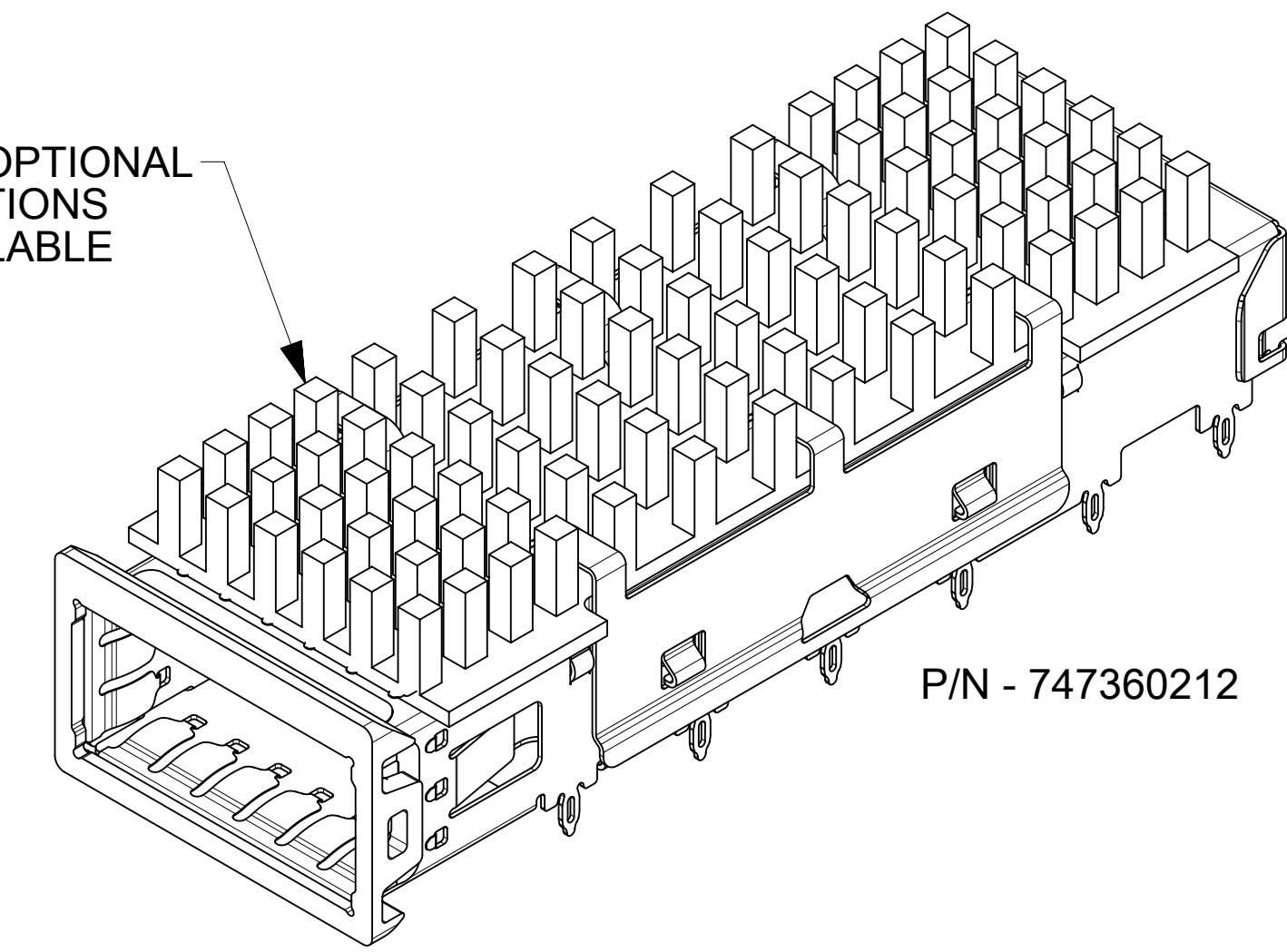
▲ FOR PCI APPLICATIONS RECOMMENDED DIMENSION IS 0.4 ±0.1



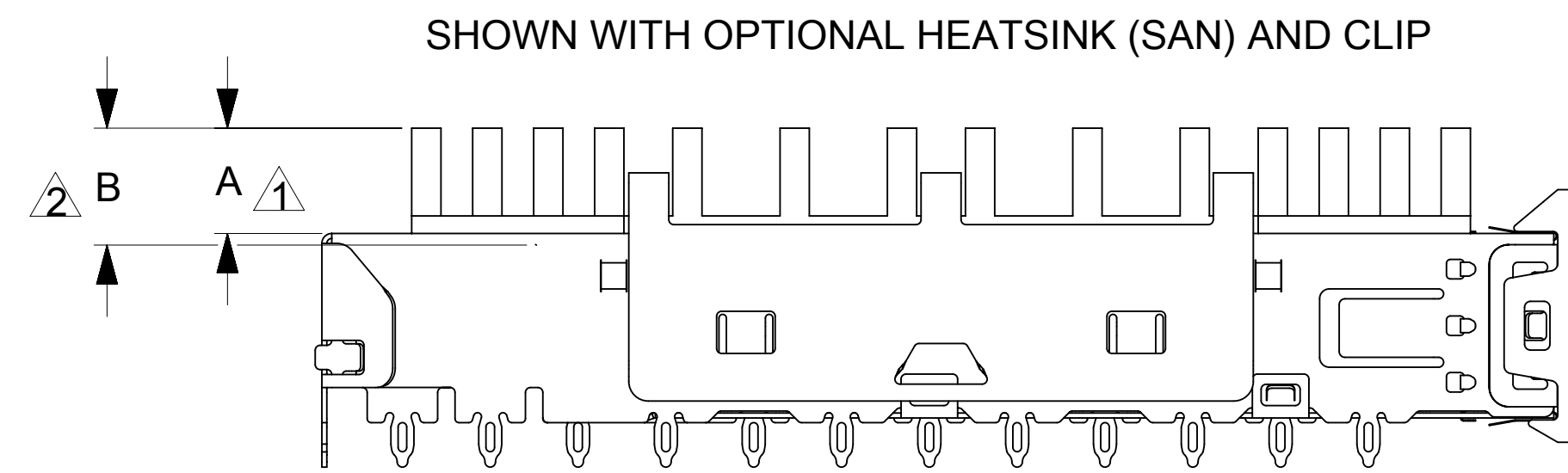
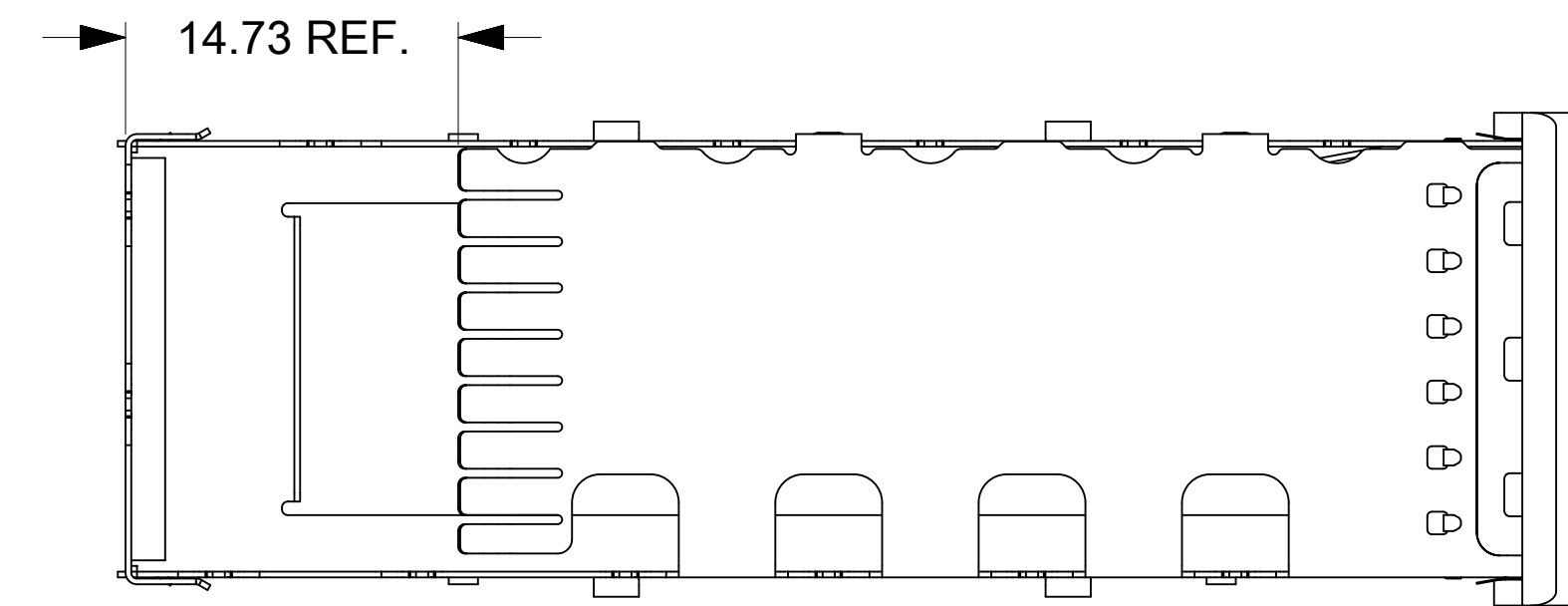
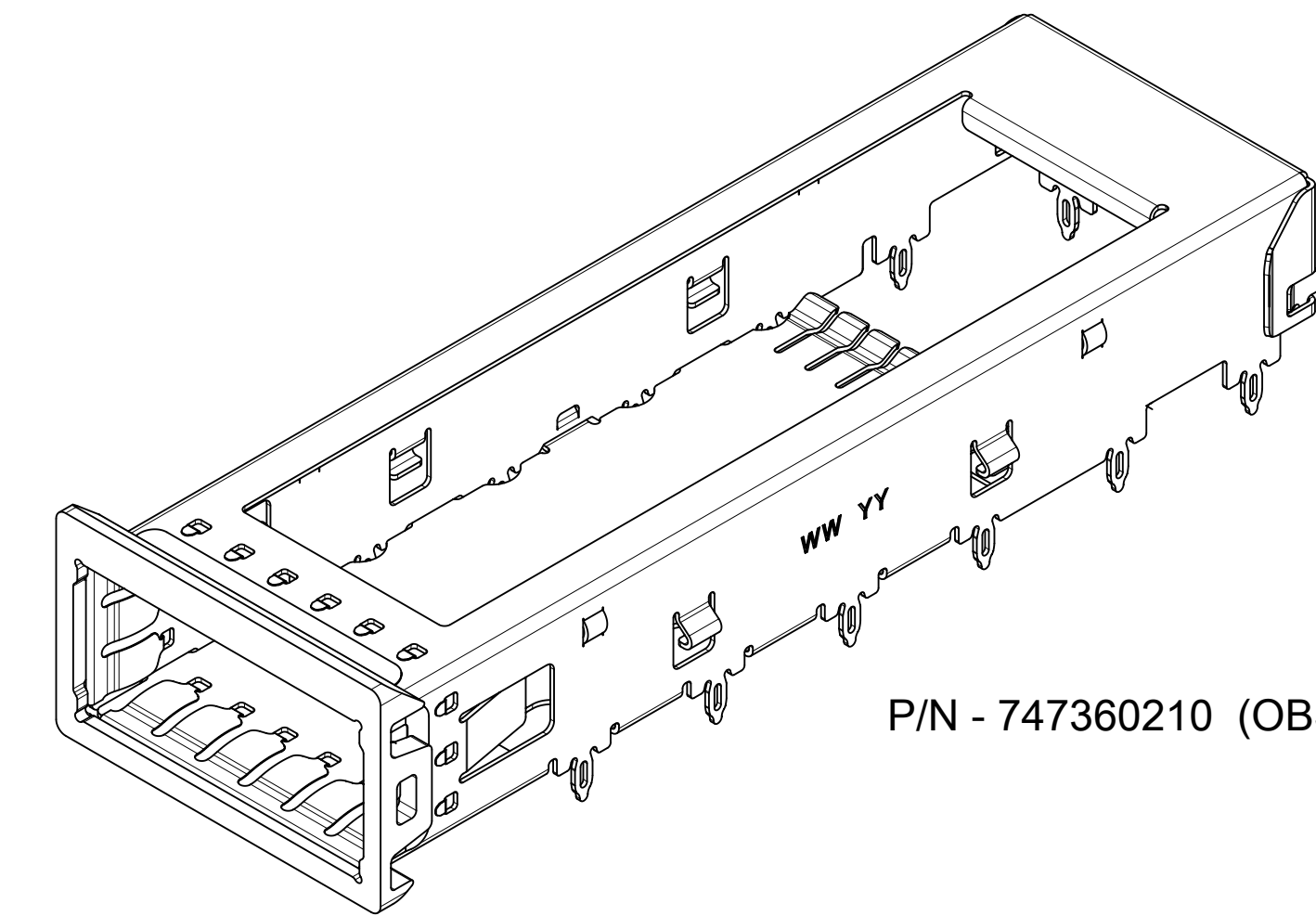
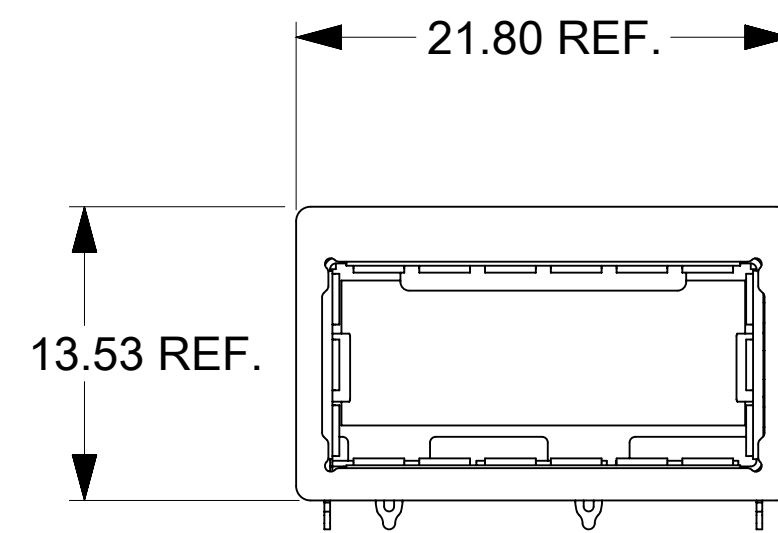
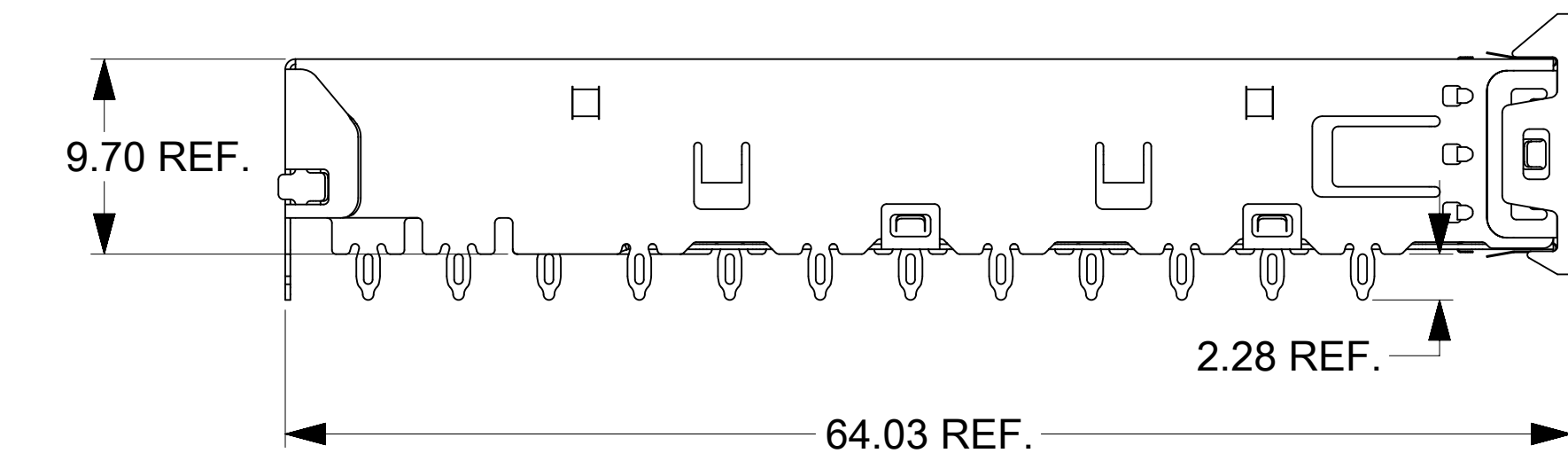
ADDED NOTE PG 2 E.C. NO.: USY2011-0301 DRAWN BY: ERWIN 2010/06/07 CHECKED BY: CHYKCHIRSHY 2010/10/13 APPROVED BY: RMAHMOOD 2010/11/23	QUALITY SYMBOLS ▽=0 ▽=0	GENERAL TOLERANCES (UNLESS SPECIFIED)		DIMENSION STYLE MM ONLY	SCALE 3:1	DESIGN UNITS METRIC	THIRD ANGLE PROJECTION		
		4 PLACES ±--- ±---	3 PLACES ±--- ±---	2 PLACES ±0.10 ±---	1 PLACE ±0.25 ±---	DRAWN BY: KLOYD DATE: 2004/12/02	CHECKED BY: BRUSSELL DATE: 2004/12/02	APPROVED BY: RMAHMOOD DATE: 2010/11/23	TITLE: XFP CAGE ASSEMBLY WITHOUT ELASTOMER EMI GASKET
		ANGULAR ± 1°		DRAFT WHERE APPLICABLE MUST REMAIN WITHIN DIMENSIONS		MATERIAL NO.: SEE CHART	DOCUMENT NO.: SD-74736-210	SHEET NO.: 2 OF 2	
		THIS DRAWING CONTAINS INFORMATION THAT IS PROPRIETARY TO MOLEX INCORPORATED AND SHOULD NOT BE USED WITHOUT WRITTEN PERMISSION							



PARTIAL A
SCALE 3:1



HEATSINK SINK AND CLIP ARE OPTIONAL
SEE CHART FOR HEATSINK OPTIONS
CUSTOM HEATSINKS ARE AVAILABLE

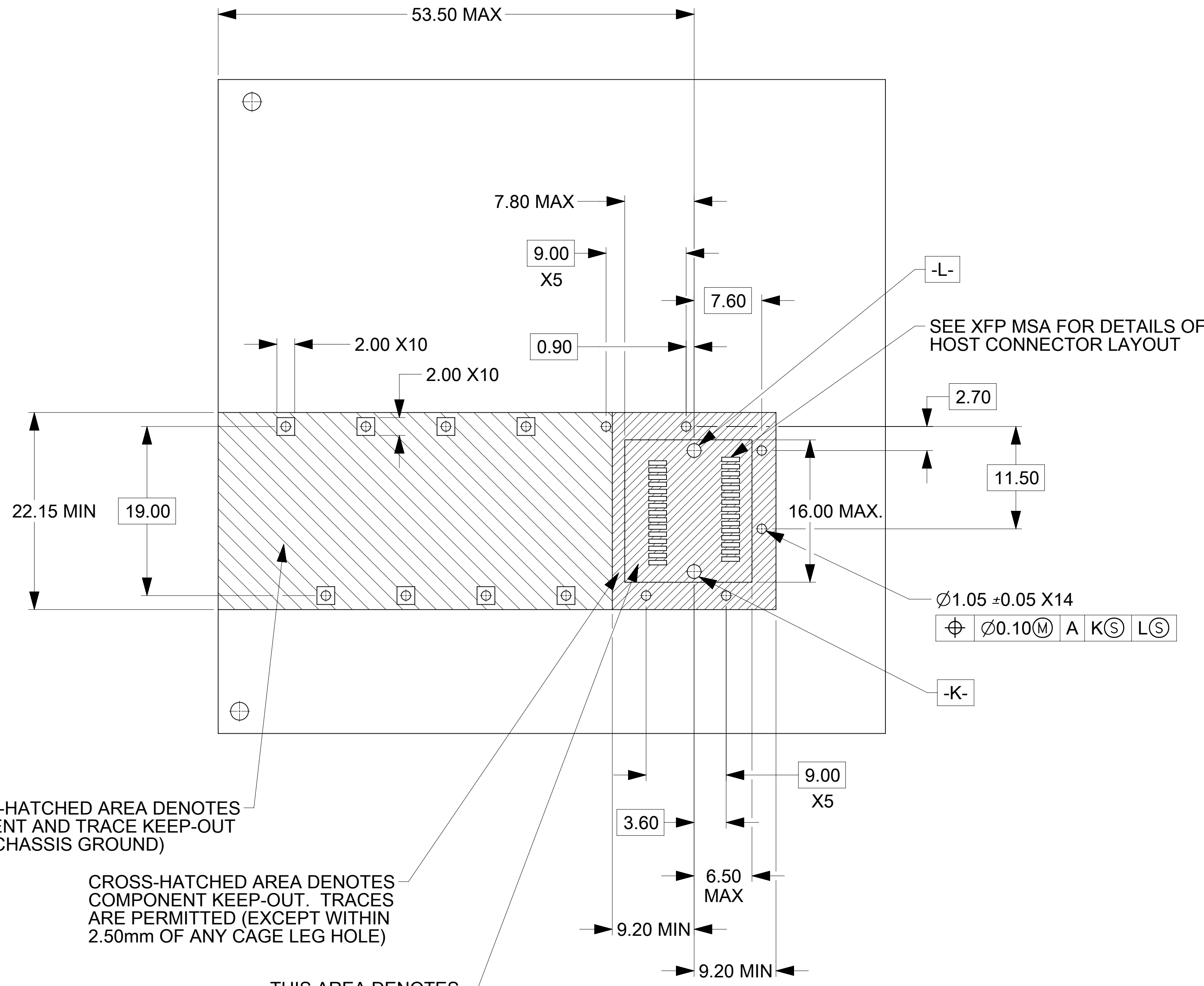


SHOWN WITH OPTIONAL HEATSINK (SAN) AND CLIP

- 1 MAXIMUM HEIGHT OF HEATSINK WITH MODULE INSERTED
- 2 OVERALL HEIGHT OF HEATSINK
- 3. OTHER HEATSINK DESIGNS ARE AVAILABLE INCLUDING CUSTOM DESIGNS

PART NUMBER FOR XFP CAGE ASSEMBLY & PARTS (W/OUT ELASTOMER EMI GASKET)					
P/N	DIM A	DIM B	DESCRIPTION	POWER LEVEL	THERMAL RESISTANCE @200 LFM
747360211	4.0	4.2	XFP CAGE WITH PCI HEATSINK	UP TO 1.5W	<18.0 C/W
747360212	6.3	6.5	XFP CAGE WITH SAN HEATSINK (SHOWN)	UP TO 2.5W	<11.5 C/W
747360213	13.3	13.5	XFP CAGE WITH TALL HEATSINK	UP TO 3.5W	<8.0 C/W
747360230	N/A	N/A	HEATSINK CLIP ONLY	N/A	N/A
747360240	N/A	N/A	PCI HEATSINK ONLY	UP TO 1.5W	<18.0 C/W
747360241	N/A	N/A	SAN HEATSINK ONLY	UP TO 2.5W	<11.5 C/W
747360242	N/A	N/A	TALL HEATSINK ONLY	UP TO 3.5W	<8.0 C/W

THIS DRAWING CONTAINS INFORMATION THAT IS PROPRIETARY TO MOLEX ELECTRONIC TECHNOLOGIES, LLC AND SHOULD NOT BE USED WITHOUT WRITTEN PERMISSION					
DIMENSION UNITS mm	SCALE 3:1	CURRENT REV DESC:			
GENERAL TOLERANCES (UNLESS SPECIFIED)		EC NO: 624461		molex	
		DRWN: AKUMAR19 2019/02/04			
4 PLACES ±	±	CHK'D: GGA 2019/10/17		XFP CAGE ASSEMBLY WITHOUT ELASTOMER EMI GASKET	
3 PLACES ±	±	APPR: GGA 2019/10/17		PRODUCT CUSTOMER DRAWING	
2 PLACES ±	0.1 ±	INITIAL REVISION:		DOCUMENT NUMBER	
1 PLACE ±	0.25 ±	DRWN: KLLOYD 2004/12/02		SD-74736-210	
0 PLACES ±	±	APPR: RMAHMOOD 2010/11/09		DOC TYPE DOC PART REVISION	
ANGULAR TOL ±	1.0 °	DRAFT WHERE APPLICABLE MUST REMAIN WITHIN DIMENSIONS		PSD 001 C	
THIRD ANGLE PROJECTION		DRAWING		SHEET NUMBER	
D-SIZE		74736		1 OF 2	
MATERIAL NUMBER		CUSTOMER		SEE TABLE GENERAL MARKET	

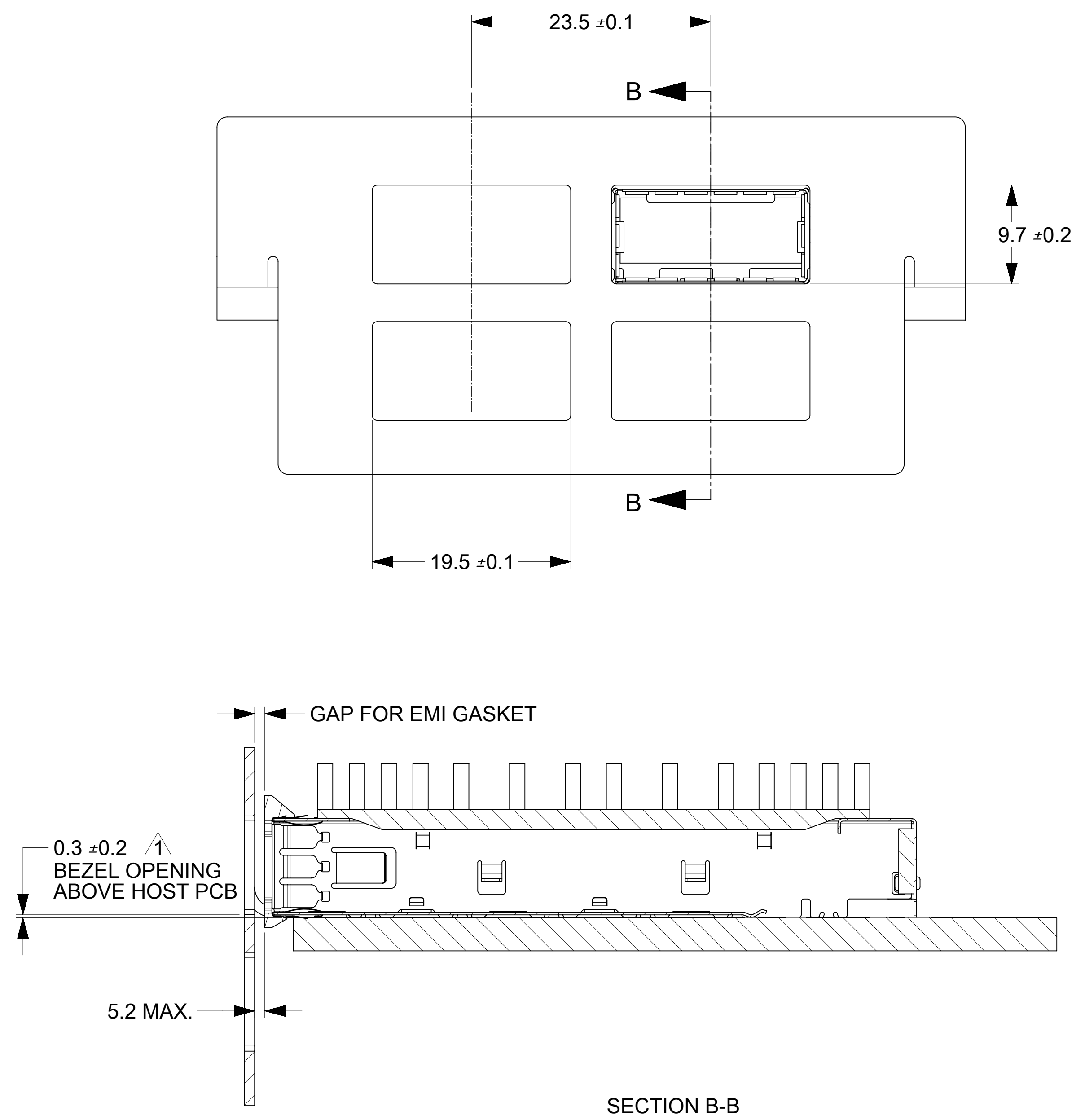


CROSSED-HATCHED AREA DENOTES COMPONENT AND TRACE KEEP-OUT (EXCEPT CHASSIS GROUND)

CROSS-HATCHED AREA DENOTES COMPONENT KEEP-OUT. TRACES ARE PERMITTED (EXCEPT WITHIN 2.50mm OF ANY CAGE LEG HOLE)

THIS AREA DENOTES COMPONENT KEEP-OUT (TRACES ALLOWED)

\triangle FOR PCI APPLICATIONS RECOMMENDED DIMENSION IS 0.4 ±0.1



THIS DRAWING CONTAINS INFORMATION THAT IS PROPRIETARY TO MOLEX ELECTRONIC TECHNOLOGIES, LLC AND SHOULD NOT BE USED WITHOUT WRITTEN PERMISSION									
DIMENSION UNITS		SCALE		CURRENT REV DESC:					
mm		3:1							
GENERAL TOLERANCES (UNLESS SPECIFIED)				EC NO: 624461					
		MM	INCH	DRWN: AKUMAR19		2019/02/04		XFP CAGE ASSEMBLY WITHOUT ELASTOMER EMI GASKET	
4 PLACES ±		±	±	CHK'D: GGA		2019/10/17		PRODUCT CUSTOMER DRAWING	
3 PLACES ±		±	±	APPR: GGA		2019/10/17		DOCUMENT NUMBER	
2 PLACES ±		0.1	±	INITIAL REVISION:				DOC TYPE	
1 PLACE ±		0.25	±	DRWN: KLLOYD		2004/12/02		DOC PART	
0 PLACES ±		±	±	APPR: RMAHMOOD		2010/11/09		REVISION	
ANGULAR TOL ±		1.0 °		DRAFT WHERE APPLICABLE MUST REMAIN WITHIN DIMENSIONS		THIRD ANGLE PROJECTION		SERIES	
				D-DRAWING		D-SIZE		74736	
				MATERIAL NUMBER		CUSTOMER		SHEET NUMBER	
				SEE TABLE		GENERAL MARKET		2 OF 2	

DOCUMENT STATUS	P1	RELEASE DATE	2019/10/17	02:39:02
-----------------	----	--------------	------------	----------