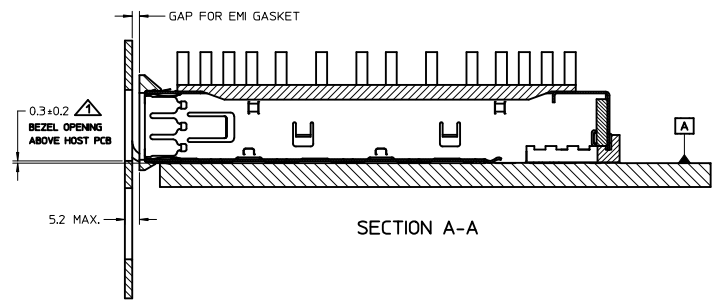
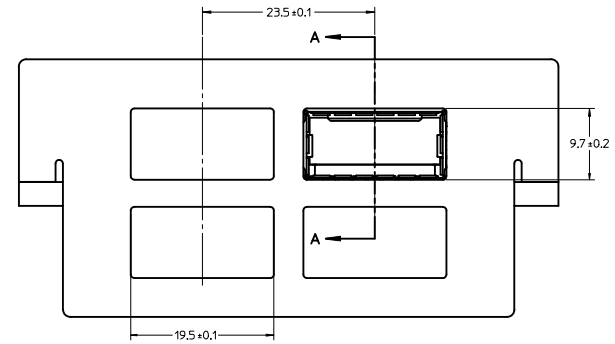
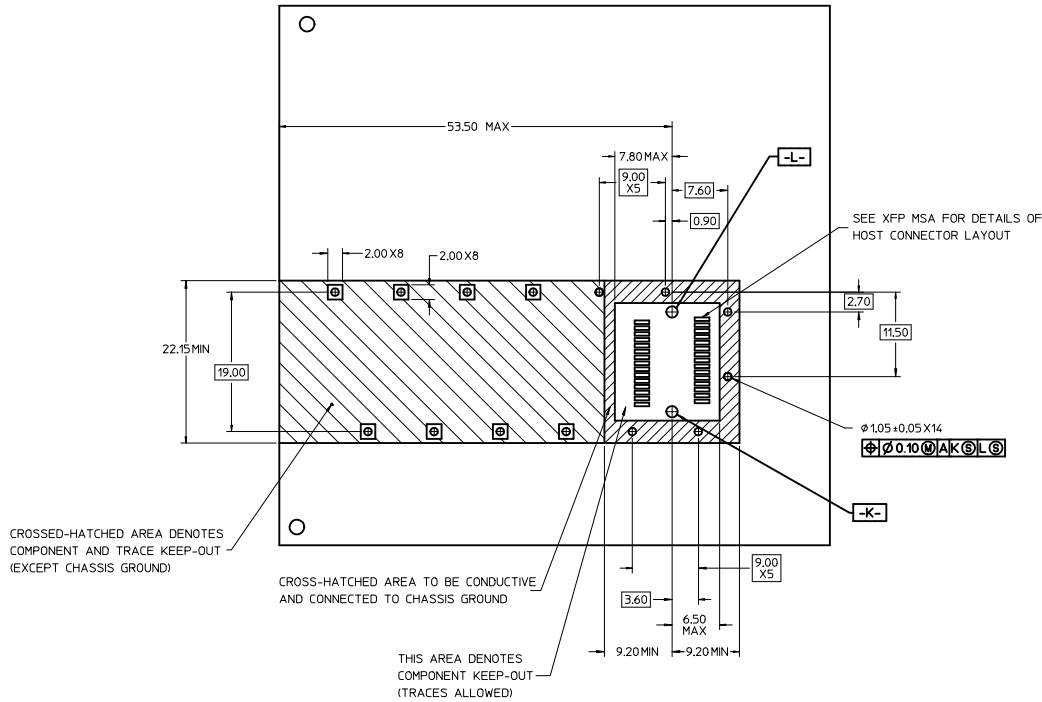


1. PRESS FIT LEGS 2.28mm [0.090"]
2. SINGLE SIDED BOARD THICKNESS
 NOMINAL: 1.60 [0.062"]
 MINIMUM: 1.44 [0.057"]
 BELLY TO BELLY BOARD THICKNESS
 NOMINAL: 2.30 [0.090"]
 MINIMUM: 2.07 [0.081"]
3. REFERENCE DOCUMENTS:
 PRODUCT SPECIFICATION: XFP MSA
4. THIS PRODUCT MEETS THE RESTRICTION OF HAZARDOUS SUBSTANCES IN ELECTRICAL AND ELECTRONIC EQUIPMENT (RoHS) DIRECTIVE (2009/95/EC).

ADDED NOTE PG 2 EC NO: USY2011-0301 DRAWN: JERWIN 2010/03/10 CHECKED: CHYK-CHIRSHY APPROVED: RMAHMOOD 2010/11/23	QUALITY SYMBOLS	GENERAL TOLERANCES (UNLESS SPECIFIED)	DIMENSION STYLE	SCALE	DESIGN UNITS	THIRD ANGLE PROJECTION															
	▼=0 ▽=0	<table border="1"> <thead> <tr> <th></th> <th>mm</th> <th>INCH</th> </tr> </thead> <tbody> <tr> <td>4 PLACES</td> <td>±.005</td> <td>±.0005</td> </tr> <tr> <td>3 PLACES</td> <td>±.008</td> <td>±.0008</td> </tr> <tr> <td>2 PLACES</td> <td>±.010</td> <td>±.0010</td> </tr> <tr> <td>1 PLACE</td> <td>±.025</td> <td>±.0025</td> </tr> </tbody> </table> ANGULAR ± 1°		mm	INCH	4 PLACES	±.005	±.0005	3 PLACES	±.008	±.0008	2 PLACES	±.010	±.0010	1 PLACE	±.025	±.0025	MM ONLY DRAWN BY: JERWIN DATE: 2008/09/10 CHECKED BY: CHIRSHY DATE: 2008/08/10 APPROVED BY: RMAHMOOD DATE: 2010/11/23	3:1	METRIC	TITLE: XFP CAGE ASSEMBLY W/ INSULATING TAPE MOLEX INCORPORATED
		mm	INCH																		
	4 PLACES	±.005	±.0005																		
3 PLACES	±.008	±.0008																			
2 PLACES	±.010	±.0010																			
1 PLACE	±.025	±.0025																			
DRAFT WHERE APPLICABLE MUST REMAIN WITHIN DIMENSIONS	MATERIAL NO. 747360451 SIZE D	DOCUMENT NO. SD-74736-0451	SHEET NO. 1 OF 3																		

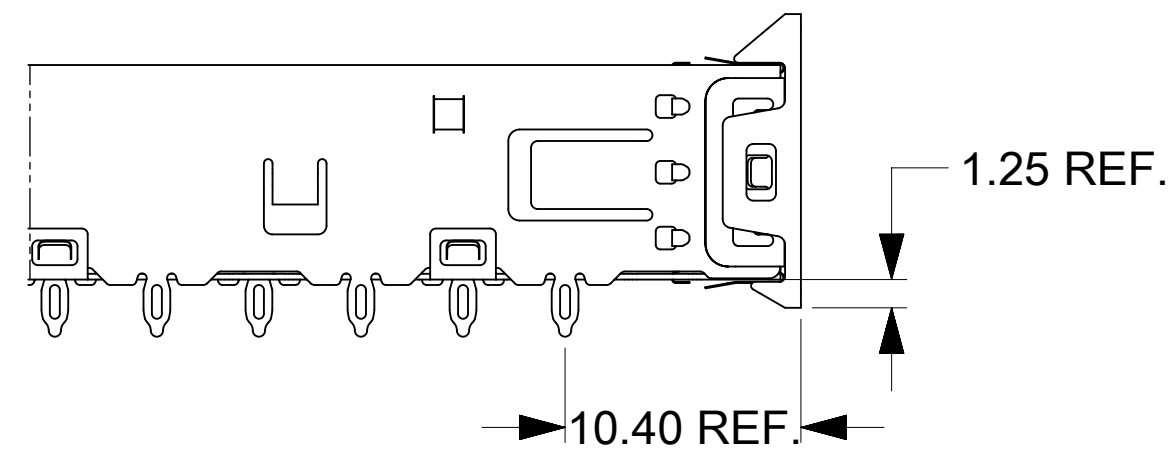
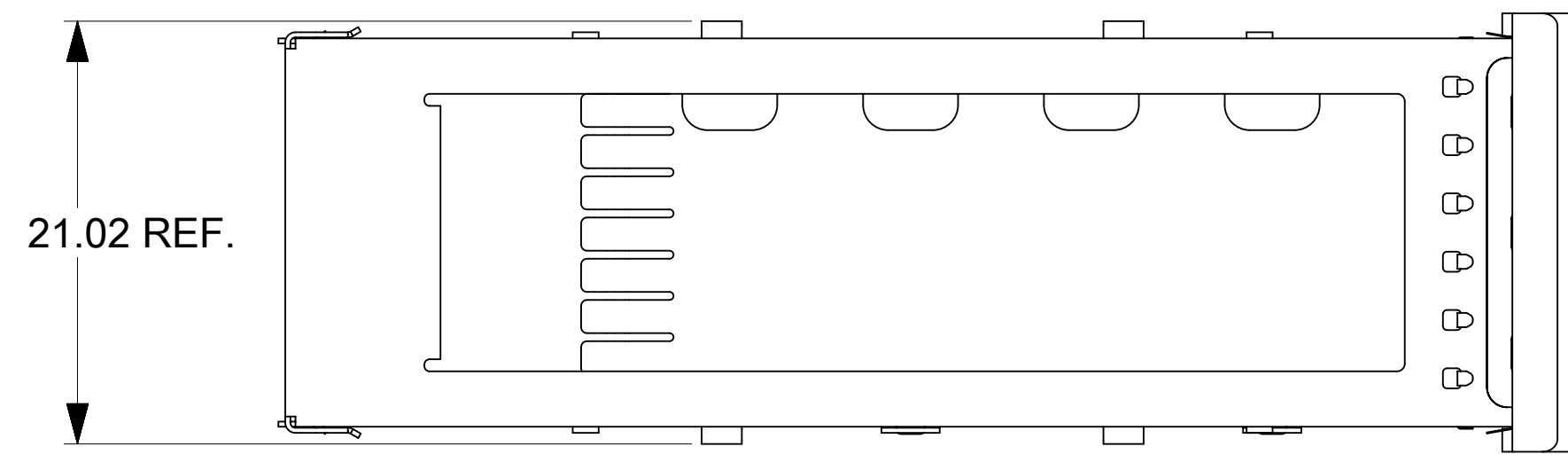


▲ FOR PCI APPLICATIONS RECOMMENDED DIMENSION IS 0.4 ± 0.1

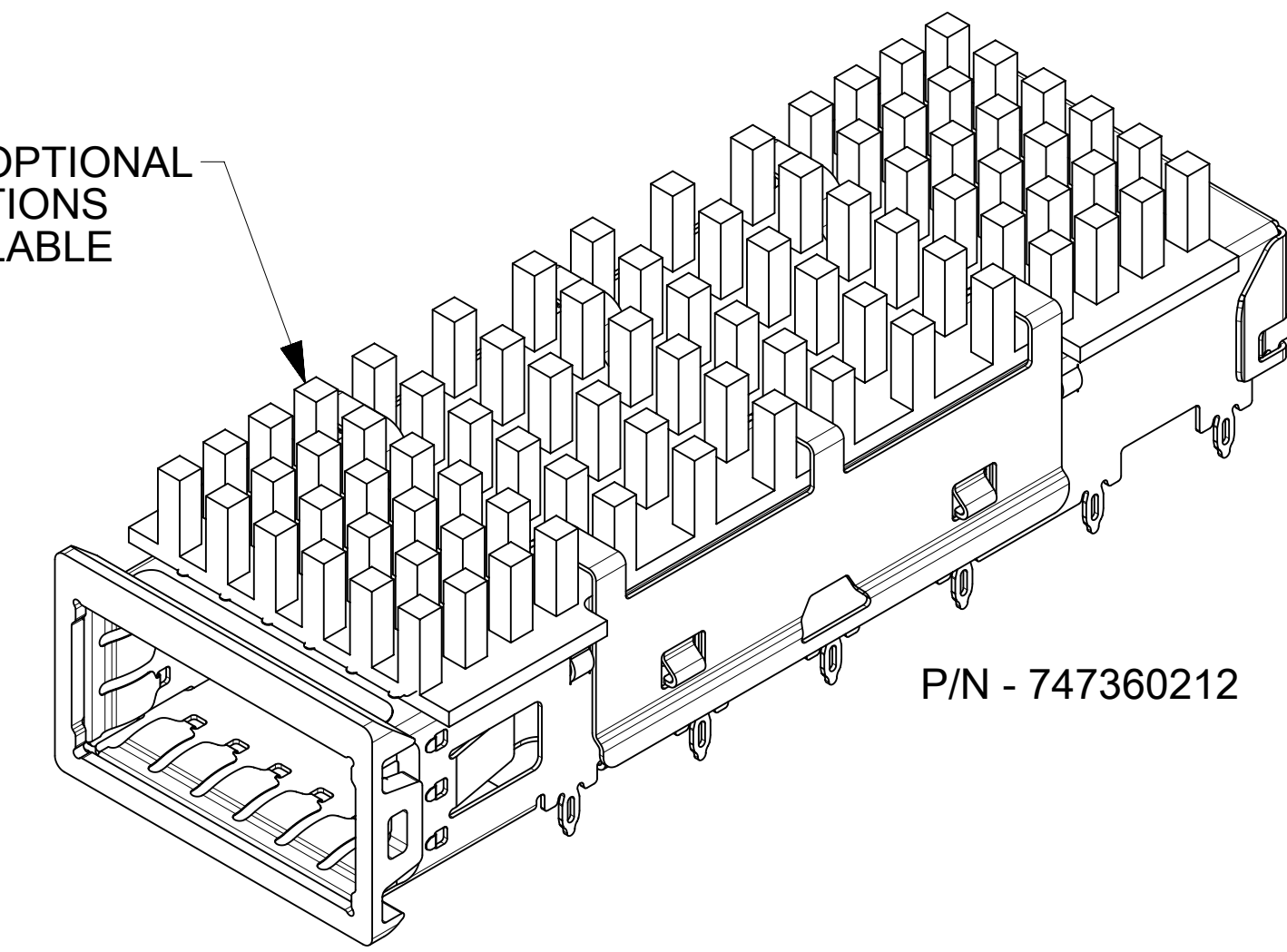
ADDED NOTE PG 2 EC NO: USY2011-0301 DRAWN: JERWIN 2010/03/01 CHKD: CHRSCHY APPR: RAHMOOD 2010/11/23	QUALITY SYMBOLS	GENERAL TOLERANCES (UNLESS SPECIFIED)	DIMENSION STYLE	SCALE	DESIGN UNITS	THIRD ANGLE PROJECTION
	▽=0 ▽=0	mm INCH 4 PLACES ± --- ± --- 3 PLACES ± --- ± --- 2 PLACES ± 0.10 ± --- 1 PLACE ± 0.25 ± --- ANGULAR ± 1°	MM ONLY	3:1	METRIC	TITLE XFP CAGE ASSEMBLY W/ INSULATING TAPE
	DRAFT WHERE APPLICABLE MUST REMAIN WITHIN DIMENSIONS	DRAWN BY: JERWIN CHECKED BY: CHRSCHY APPROVED BY: RAHMOOD DATE: 2010/09/10 DATE: 2008/08/10 DATE: 2010/11/23	MATERIAL NO: 747360451	DOCUMENT NO: SD-74736-0451	MOLEX INCORPORATED	SHEET NO: 2 OF 3
	THIS DRAWING CONTAINS INFORMATION THAT IS PROPRIETARY TO MOLEX INCORPORATED AND SHOULD NOT BE USED WITHOUT WRITTEN PERMISSION					

DATE	REV	DESCRIPTION
2008/09/10	A	1. INITIAL RELEASE
2009/05/07	B	1. REMOVED ISO VIEW FROM PAGE 1
		2. ADDED NOTES TO PAGE 1
		3. REMOVED NOTE 2 FROM PAGE 2
		4. REMOVED NOTE 3 FROM PAGE 1 AND RENUMBERED REMAINING NOTES
2010/03/01	C	1. ADDED NOTE - THIS AREA DENOTES COMPONENT KEEP-OUT (TRACES ALLOWED) PAGE 2.

REMOVED ISO VIEW IEC NO. USY2011-0301 DRAWN: JERWIN 2010/03/01 CHECKED: CHYK & CHRSCHY APPROVED: RMAHMOOD 2010/11/23	QUALITY SYMBOLS	GENERAL TOLERANCES (UNLESS SPECIFIED)	DIMENSION STYLE	SCALE	DESIGN UNITS	THIRD ANGLE PROJECTION															
	▽=0 ▽=0	<table border="1"> <thead> <tr> <th></th> <th>mm</th> <th>INCH</th> </tr> </thead> <tbody> <tr> <td>4 PLACES</td> <td>±---</td> <td>±---</td> </tr> <tr> <td>3 PLACES</td> <td>±---</td> <td>±---</td> </tr> <tr> <td>2 PLACES</td> <td>±0.10</td> <td>±---</td> </tr> <tr> <td>1 PLACE</td> <td>±0.25</td> <td>±---</td> </tr> </tbody> </table> ANGULAR ± 1°		mm	INCH	4 PLACES	±---	±---	3 PLACES	±---	±---	2 PLACES	±0.10	±---	1 PLACE	±0.25	±---	MM ONLY DRAWN BY: JERWIN DATE: 2008/09/10 CHECKED BY: CHRSCHY DATE: 2008/08/10 APPROVED BY: RMAHMOOD DATE: 2010/11/23	1:1	METRIC	TITLE: XFP CAGE ASSEMBLY W/ INSULATING TAPE MOLEX INCORPORATED
		mm	INCH																		
	4 PLACES	±---	±---																		
3 PLACES	±---	±---																			
2 PLACES	±0.10	±---																			
1 PLACE	±0.25	±---																			
DRAFT WHERE APPLICABLE MUST REMAIN WITHIN DIMENSIONS	MATERIAL NO. 747360451 SIZE D	DOCUMENT NO. SD-74736-0451 SHEET NO. 3 OF 3																			
THIS DRAWING CONTAINS INFORMATION THAT IS PROPRIETARY TO MOLEX INCORPORATED AND SHOULD NOT BE USED WITHOUT WRITTEN PERMISSION																					

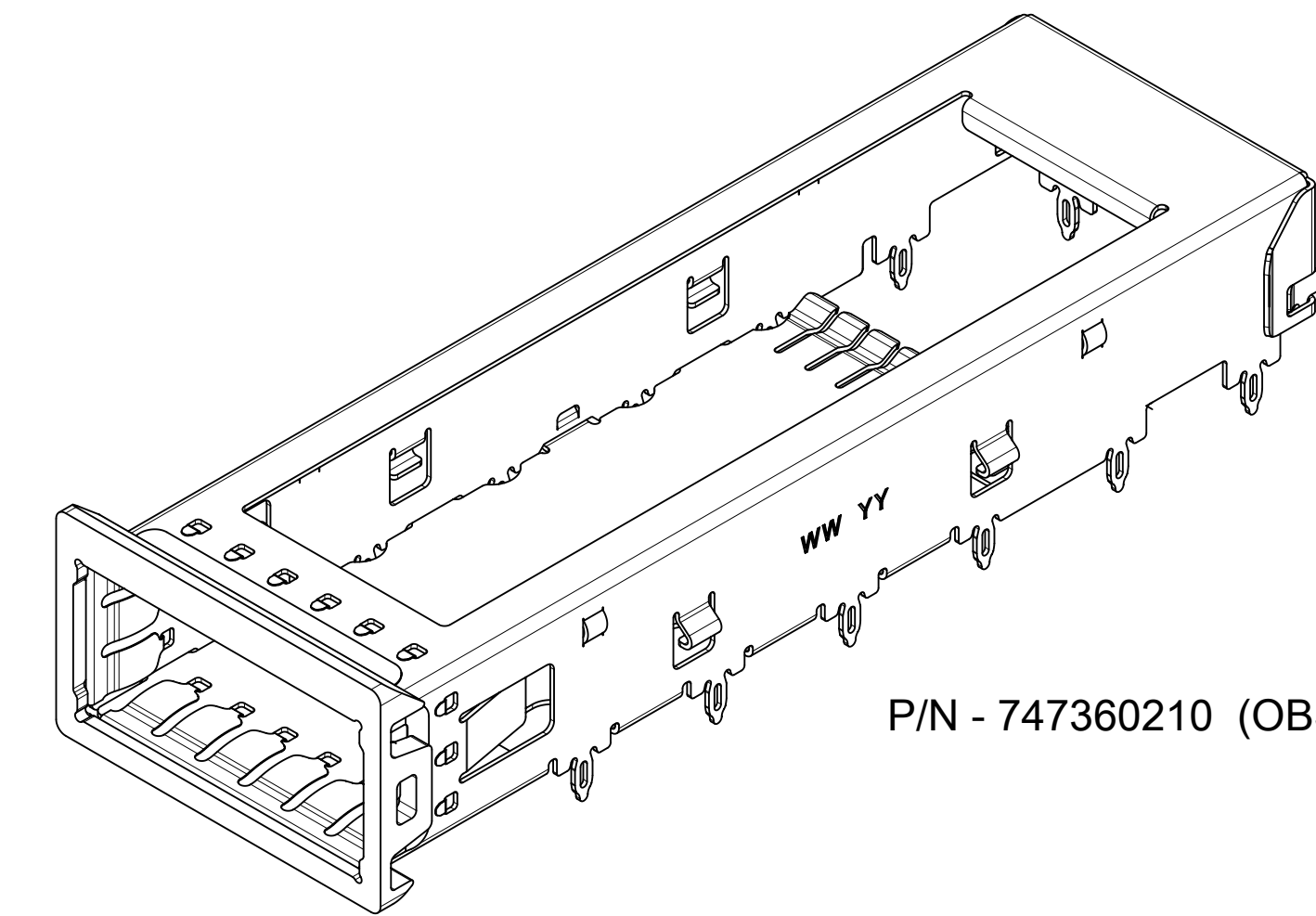
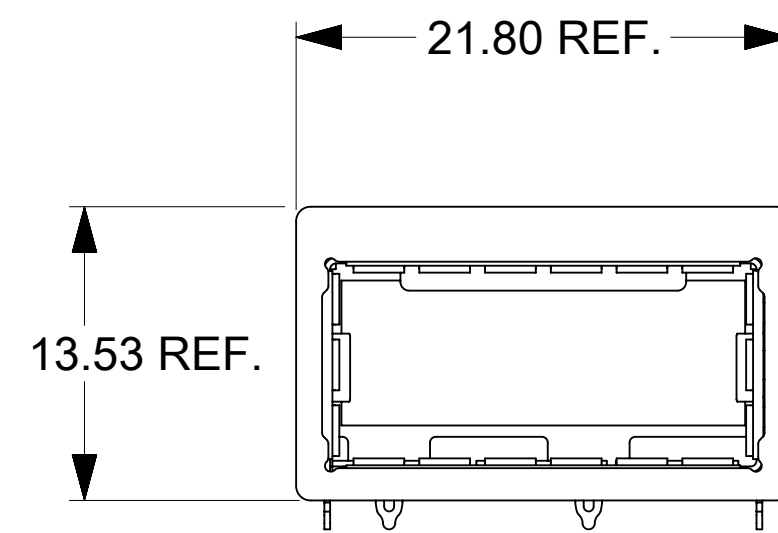
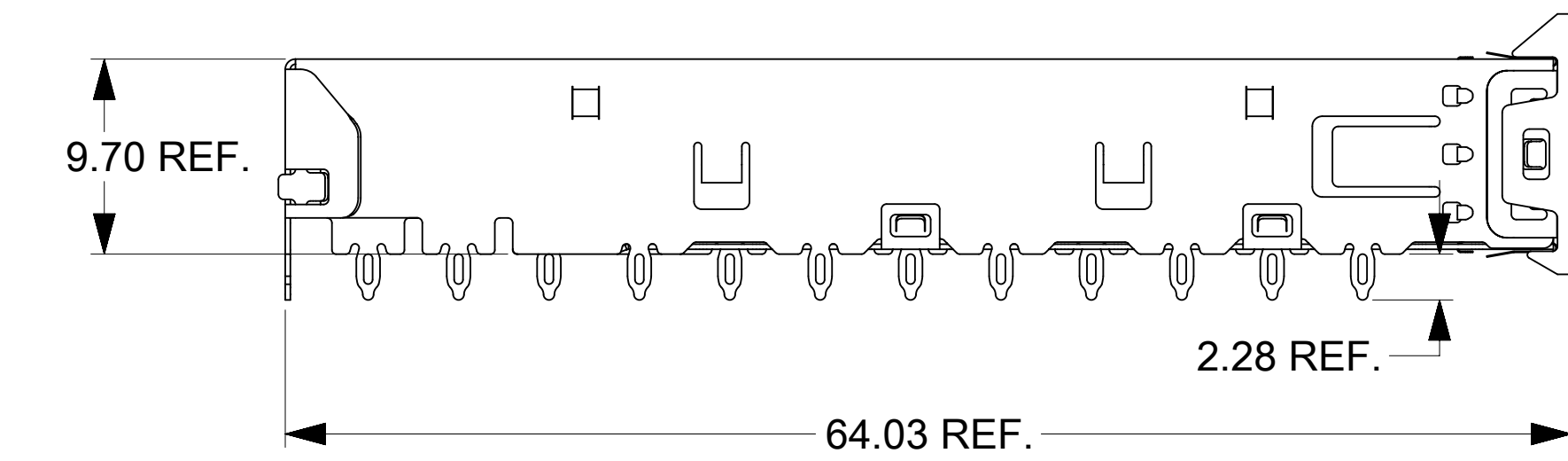


PARTIAL A
SCALE 3:1

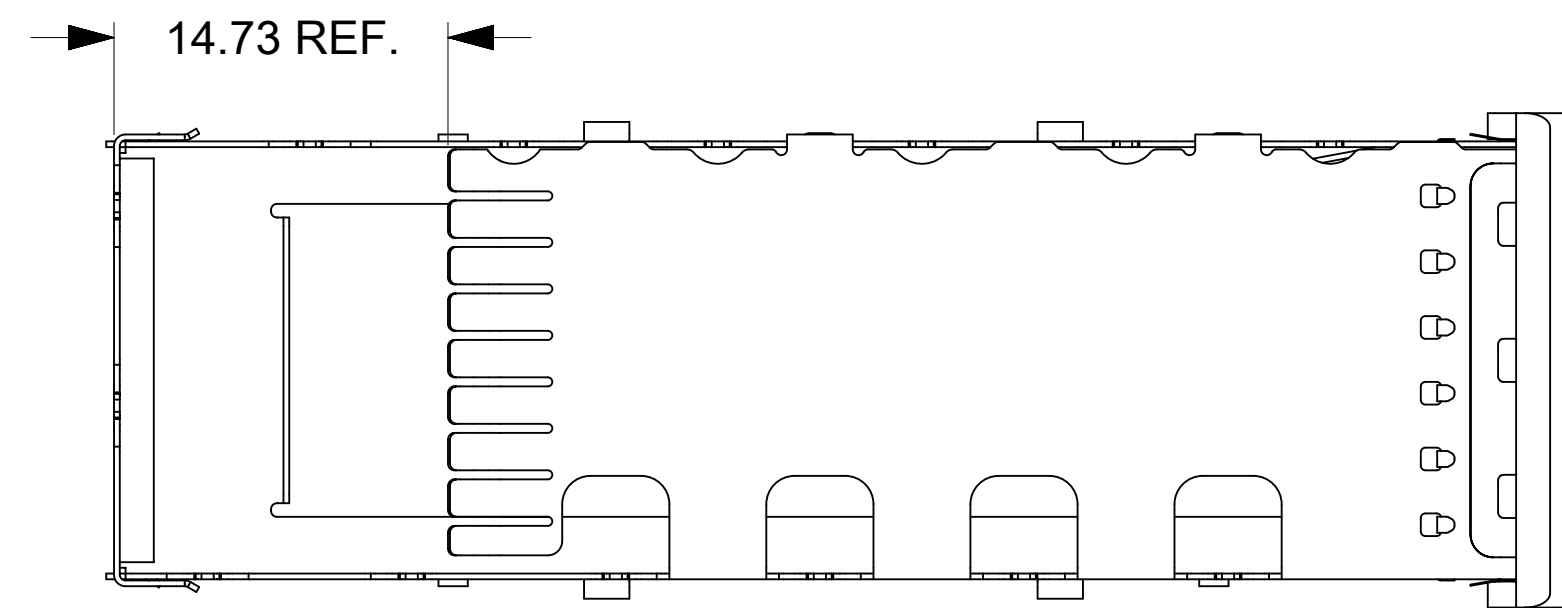


P/N - 747360212

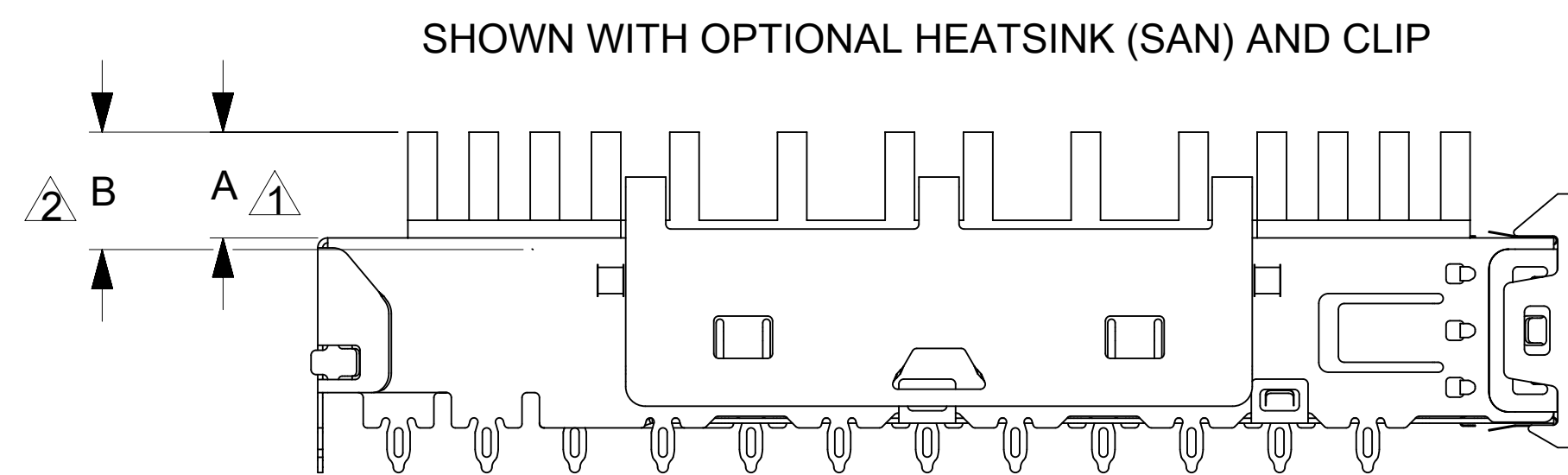
HEATSINK SINK AND CLIP ARE OPTIONAL
SEE CHART FOR HEATSINK OPTIONS
CUSTOM HEATSINKS ARE AVAILABLE



P/N - 747360210 (OBSOLETED)



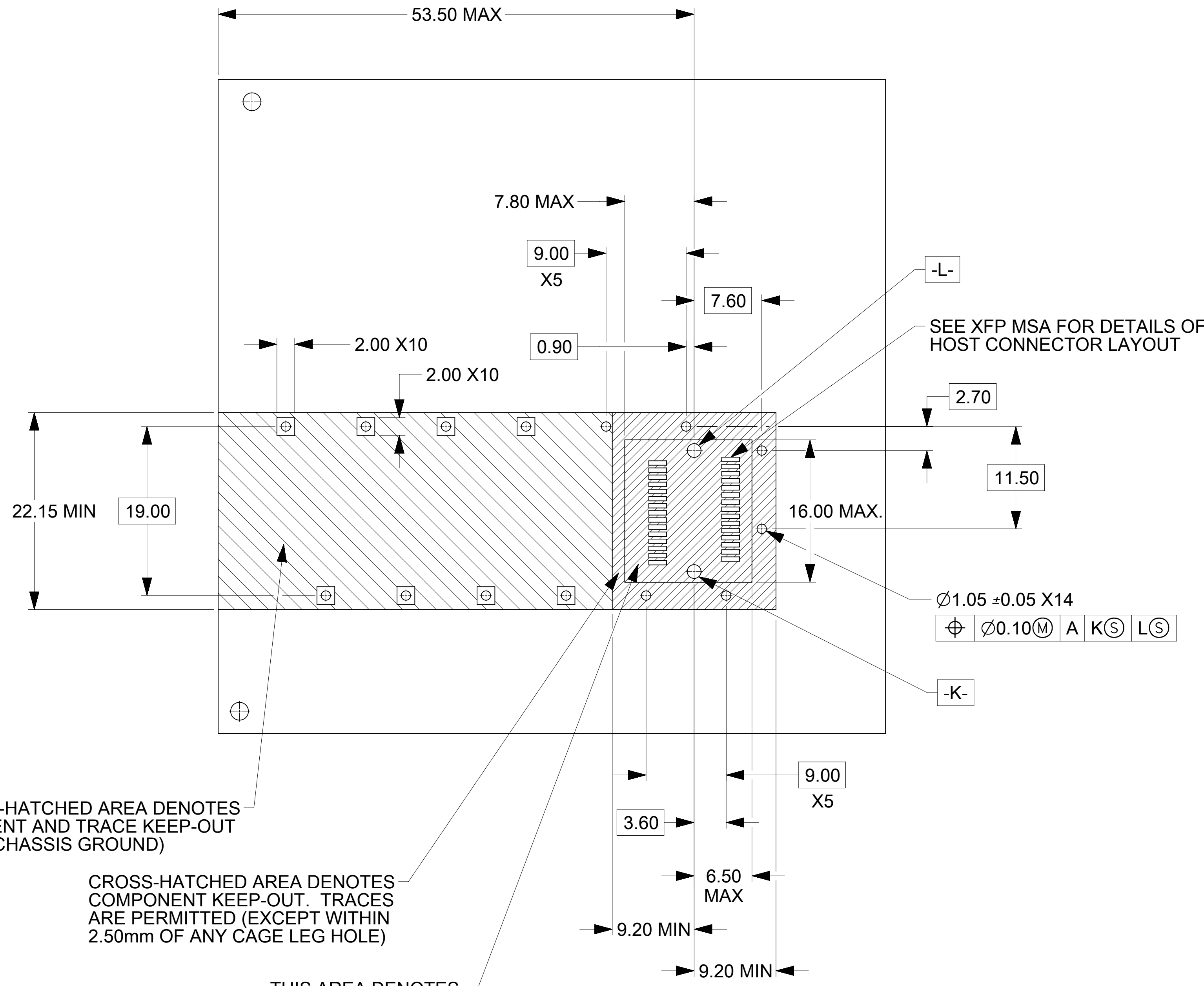
PART NUMBER FOR XFP CAGE ASSEMBLY & PARTS (W/OUT ELASTOMER EMI GASKET)					
P/N	DIM A	DIM B	DESCRIPTION	POWER LEVEL	THERMAL RESISTANCE @200 LFM
747360211	4.0	4.2	XFP CAGE WITH PCI HEATSINK	UP TO 1.5W	<18.0 C/W
747360212	6.3	6.5	XFP CAGE WITH SAN HEATSINK (SHOWN)	UP TO 2.5W	<11.5 C/W
747360213	13.3	13.5	XFP CAGE WITH TALL HEATSINK	UP TO 3.5W	<8.0 C/W
747360230	N/A	N/A	HEATSINK CLIP ONLY	N/A	N/A
747360240	N/A	N/A	PCI HEATSINK ONLY	UP TO 1.5W	<18.0 C/W
747360241	N/A	N/A	SAN HEATSINK ONLY	UP TO 2.5W	<11.5 C/W
747360242	N/A	N/A	TALL HEATSINK ONLY	UP TO 3.5W	<8.0 C/W



SHOWN WITH OPTIONAL HEATSINK (SAN) AND CLIP

- 1 MAXIMUM HEIGHT OF HEATSINK WITH MODULE INSERTED
- 2 OVERALL HEIGHT OF HEATSINK
- 3. OTHER HEATSINK DESIGNS ARE AVAILABLE INCLUDING CUSTOM DESIGNS

THIS DRAWING CONTAINS INFORMATION THAT IS PROPRIETARY TO MOLEX ELECTRONIC TECHNOLOGIES, LLC AND SHOULD NOT BE USED WITHOUT WRITTEN PERMISSION					
DIMENSION UNITS mm		SCALE 3:1		CURRENT REV DESC:	
GENERAL TOLERANCES (UNLESS SPECIFIED)			EC NO: 624461		
		MM		INCH	
4 PLACES	±	±	DRWN: AKUMAR19 2019/02/04		
3 PLACES	±	±	CHK'D: GGA 2019/10/17		
2 PLACES	±	0.1	APPR: GGA 2019/10/17		
1 PLACE	±	0.25	INITIAL REVISION:		
0 PLACES	±	±	DRWN: KLLOYD 2004/12/02		
ANGULAR TOL		± 1.0°		APPR: RMAHMOOD 2010/11/09	
DRAFT WHERE APPLICABLE MUST REMAIN WITHIN DIMENSIONS		THIRD ANGLE PROJECTION		DRAWING SERIES	
		D-SIZE		74736	
DOCUMENT NUMBER			DOC TYPE		
SD-74736-210			PSD		
DOC PART			DOC PART		
001			001		
REVISION			REVISION		
C			C		
MATERIAL NUMBER		CUSTOMER		SHEET NUMBER	
SEE TABLE		GENERAL MARKET		1 OF 2	

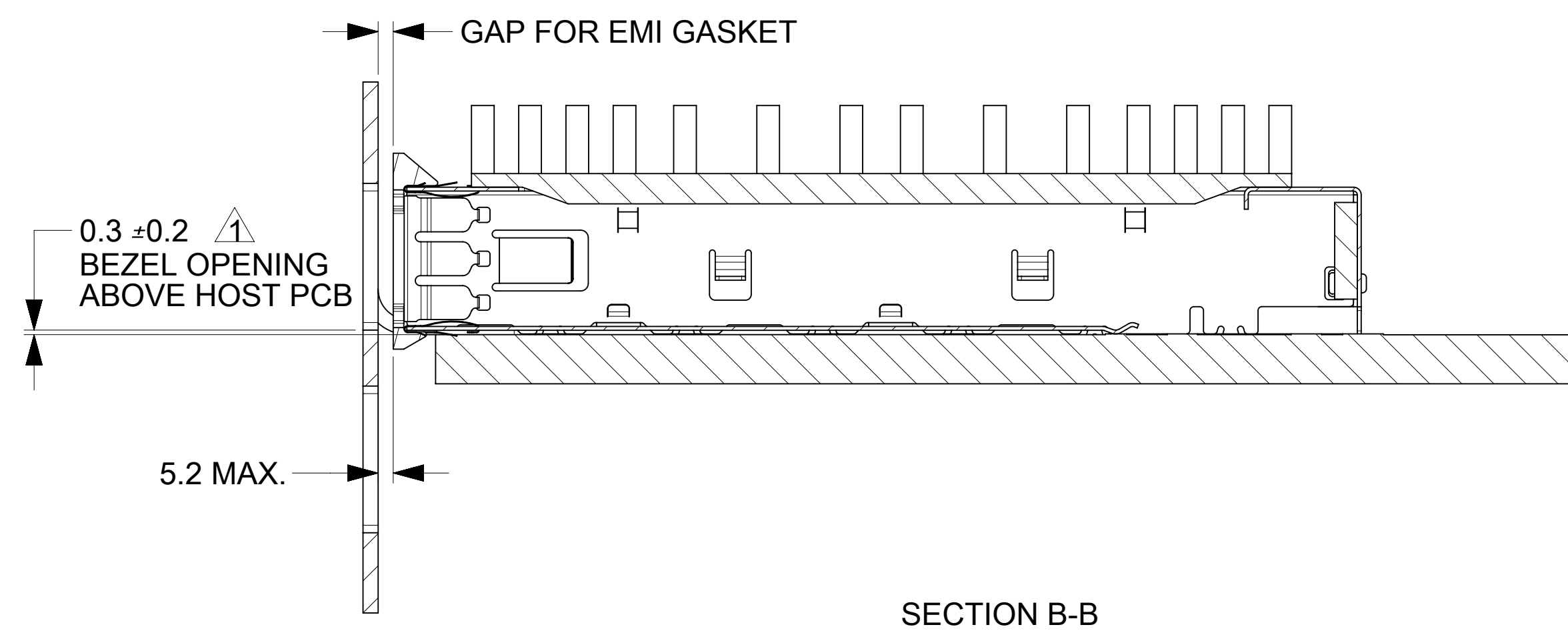
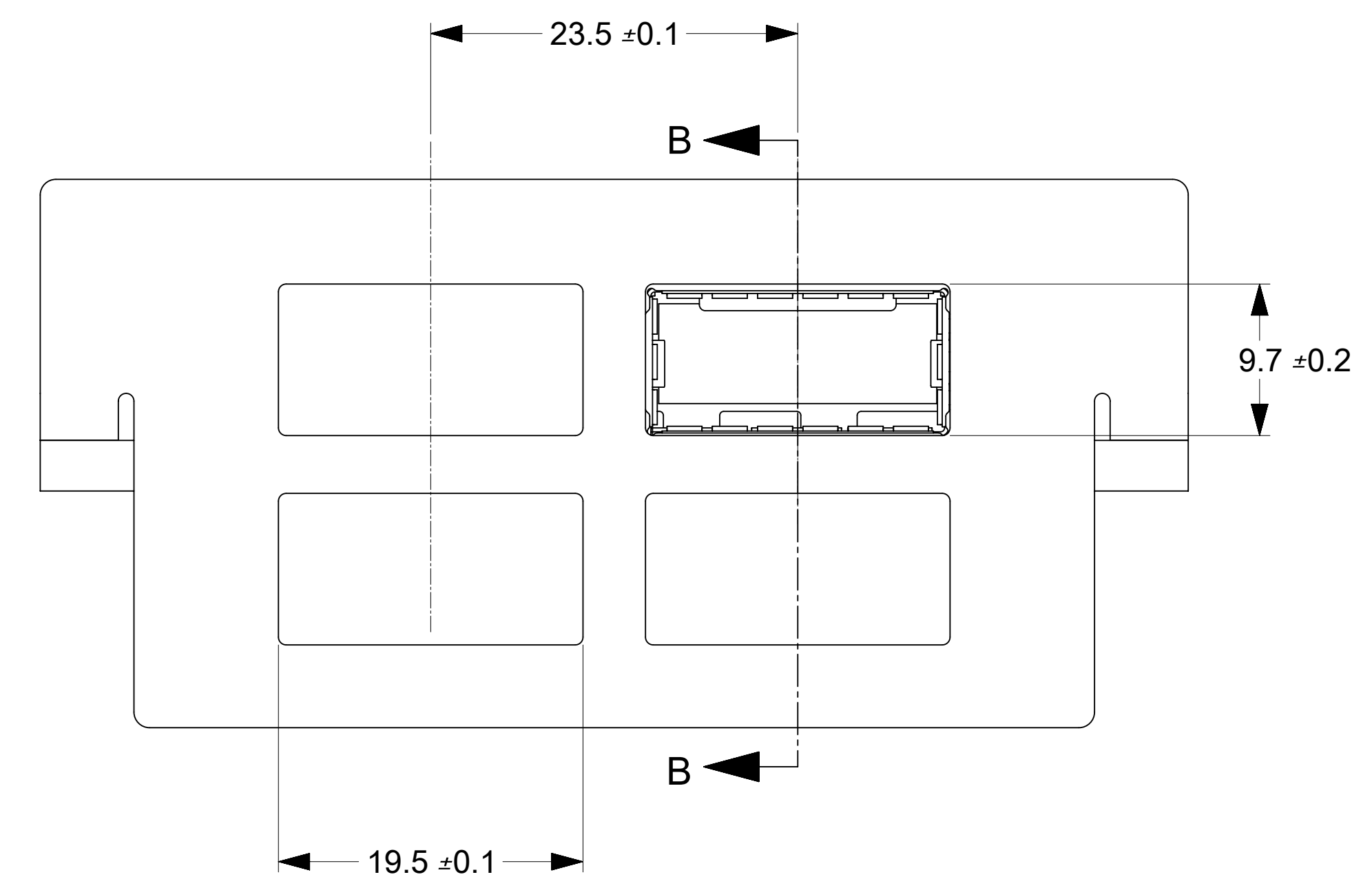


CROSSED-HATCHED AREA DENOTES COMPONENT AND TRACE KEEP-OUT (EXCEPT CHASSIS GROUND)

CROSS-HATCHED AREA DENOTES COMPONENT KEEP-OUT. TRACES ARE PERMITTED (EXCEPT WITHIN 2.50mm OF ANY CAGE LEG HOLE)

THIS AREA DENOTES COMPONENT KEEP-OUT (TRACES ALLOWED)

▲ FOR PCI APPLICATIONS RECOMMENDED DIMENSION IS 0.4 ±0.1



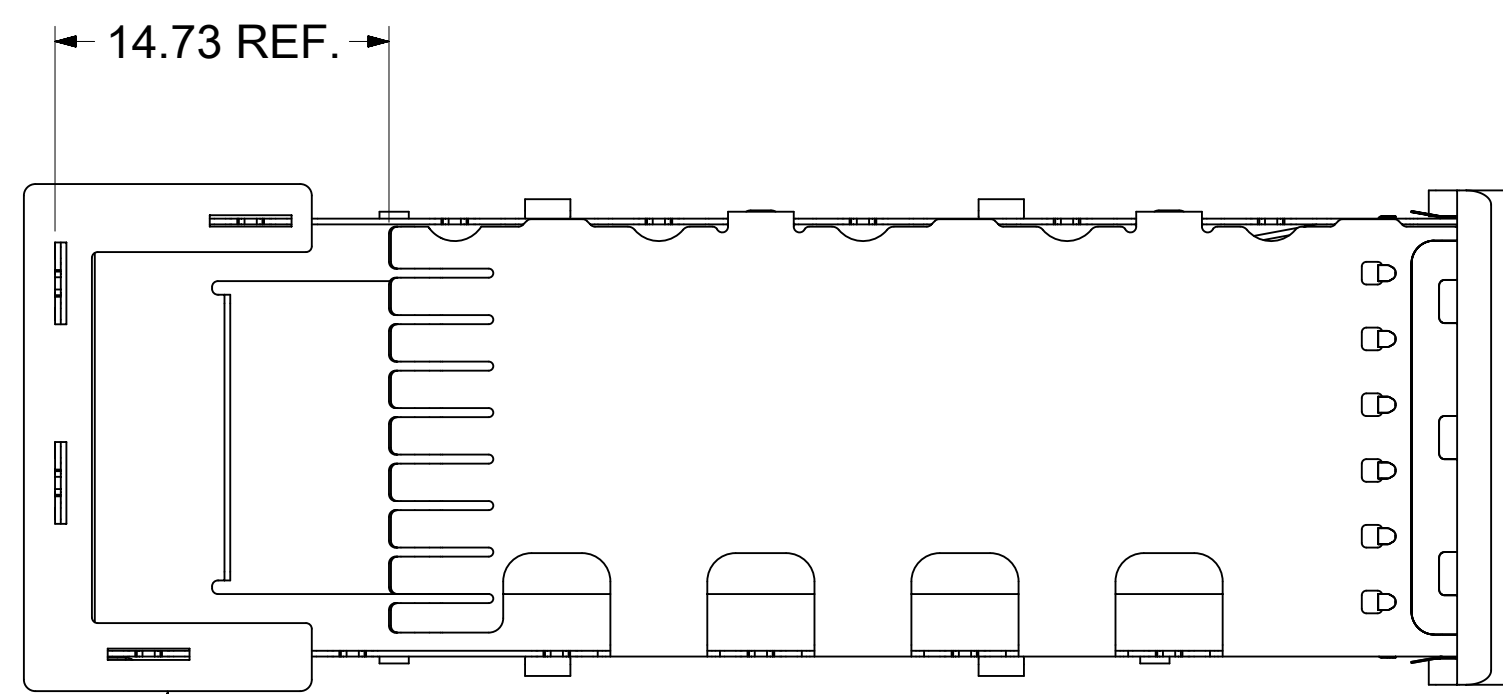
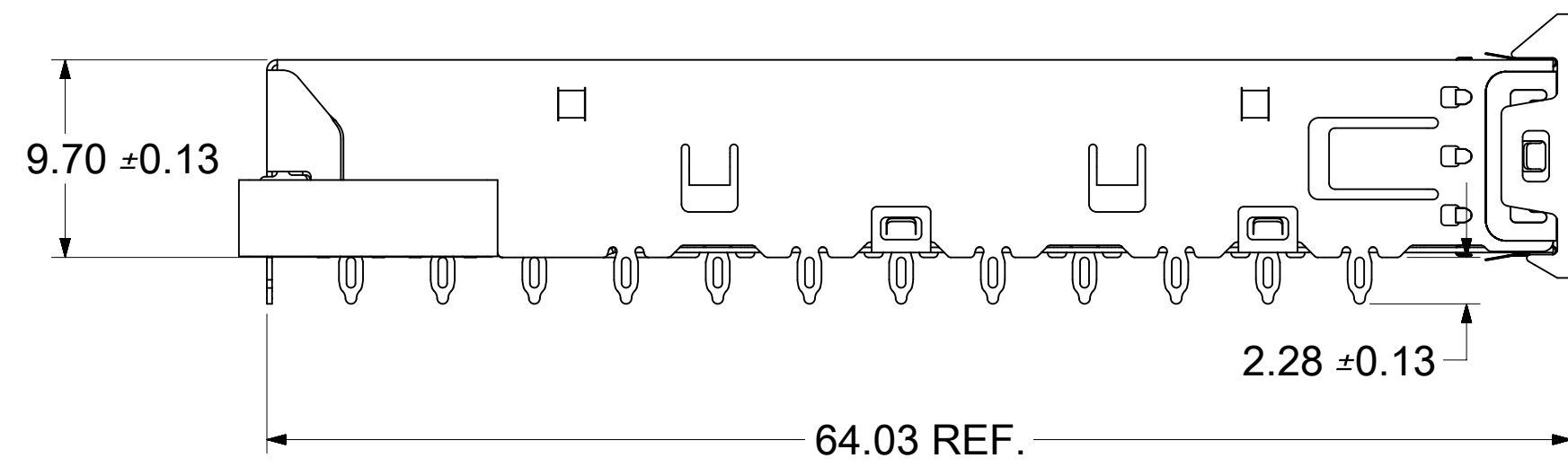
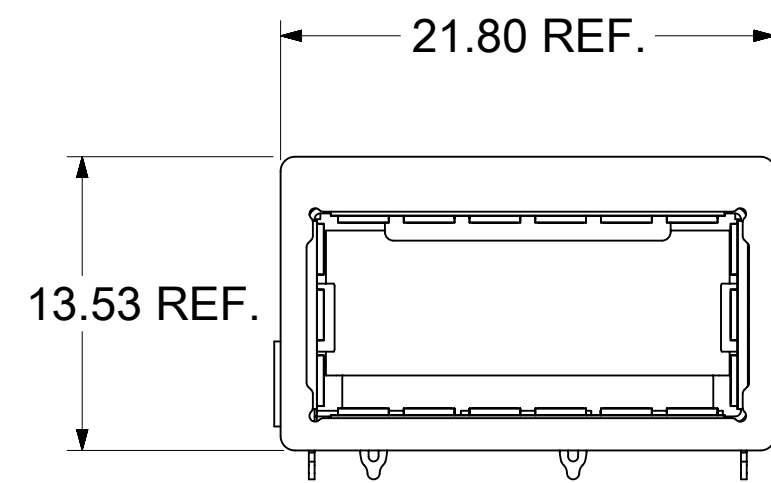
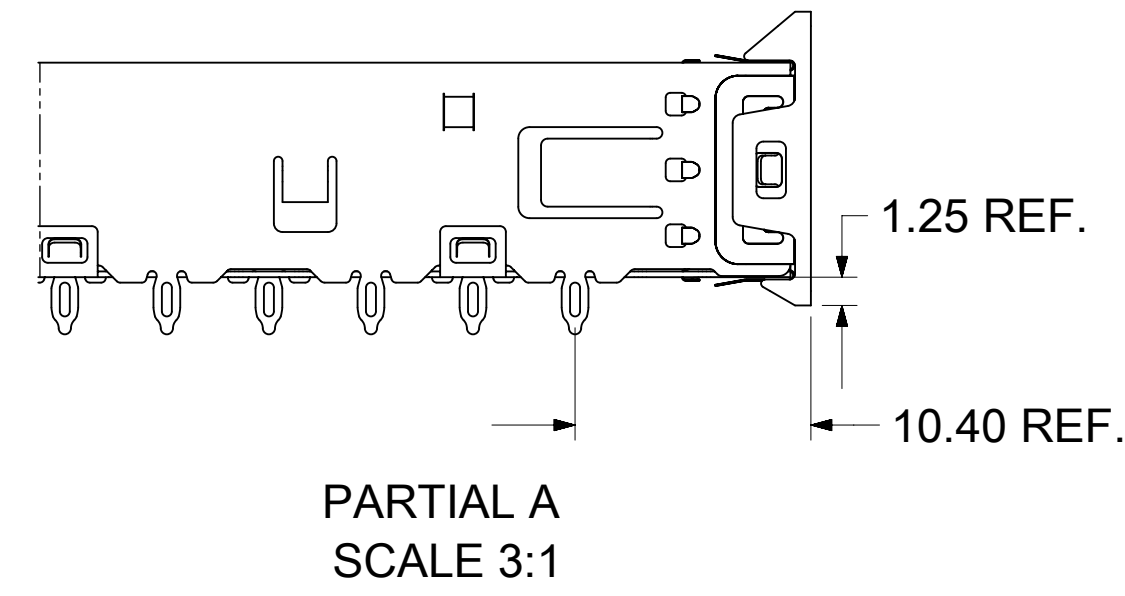
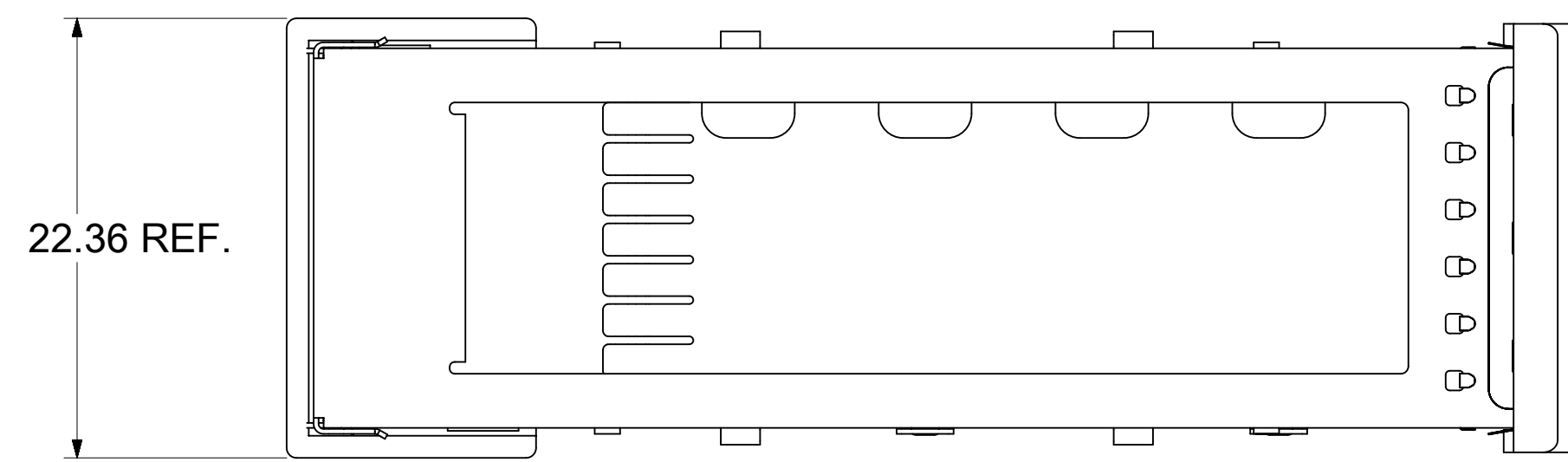
THIS DRAWING CONTAINS INFORMATION THAT IS PROPRIETARY TO MOLEX ELECTRONIC TECHNOLOGIES, LLC AND SHOULD NOT BE USED WITHOUT WRITTEN PERMISSION									
DIMENSION UNITS		SCALE		CURRENT REV DESC:					
mm		3:1							
GENERAL TOLERANCES (UNLESS SPECIFIED)				EC NO: 624461					
				DRWN: AKUMAR19		2019/02/04			
4 PLACES ±		±		CHK'D: GGA		2019/10/17			
3 PLACES ±		±		APPR: GGA		2019/10/17			
2 PLACES ±		0.1		INITIAL REVISION:					
1 PLACE ±		0.25		DRWN: KLLOYD		2004/12/02			
0 PLACES ±		±		APPR: RMAHMOOD		2010/11/09			
ANGULAR TOL		± 1.0°							
DRAFT WHERE APPLICABLE MUST REMAIN WITHIN DIMENSIONS				THIRD ANGLE PROJECTION		DRAWING		SERIES	
				D-SIZE		74736			
				MATERIAL NUMBER		CUSTOMER		SHEET NUMBER	
				SEE TABLE		GENERAL MARKET		2 OF 2	

molex

XFP CAGE ASSEMBLY
WITHOUT ELASTOMER EMI GASKET

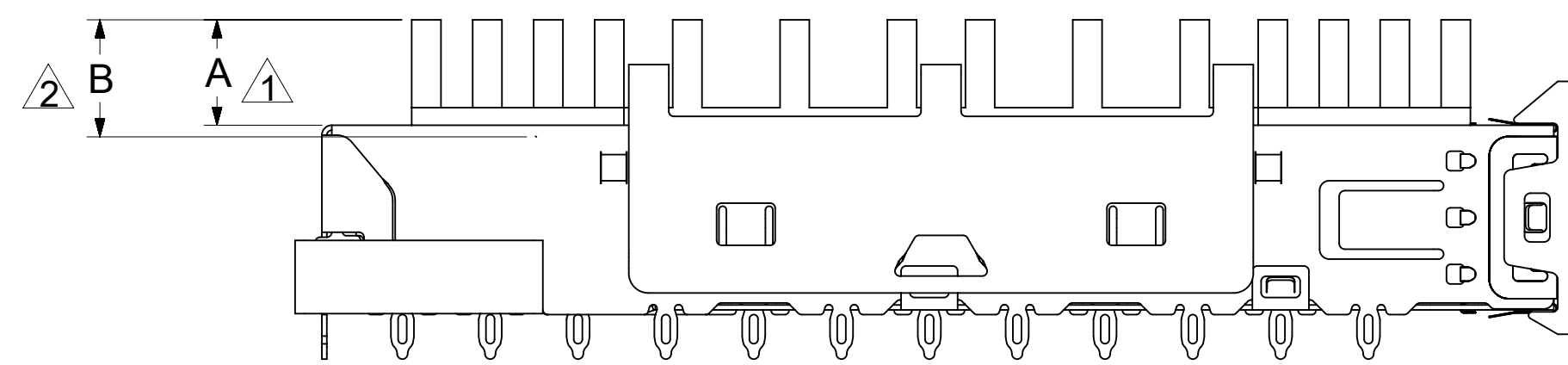
PRODUCT CUSTOMER DRAWING

DOCUMENT NUMBER	DOC TYPE	DOC PART	REVISION
SD-74736-210	PSD	001	C



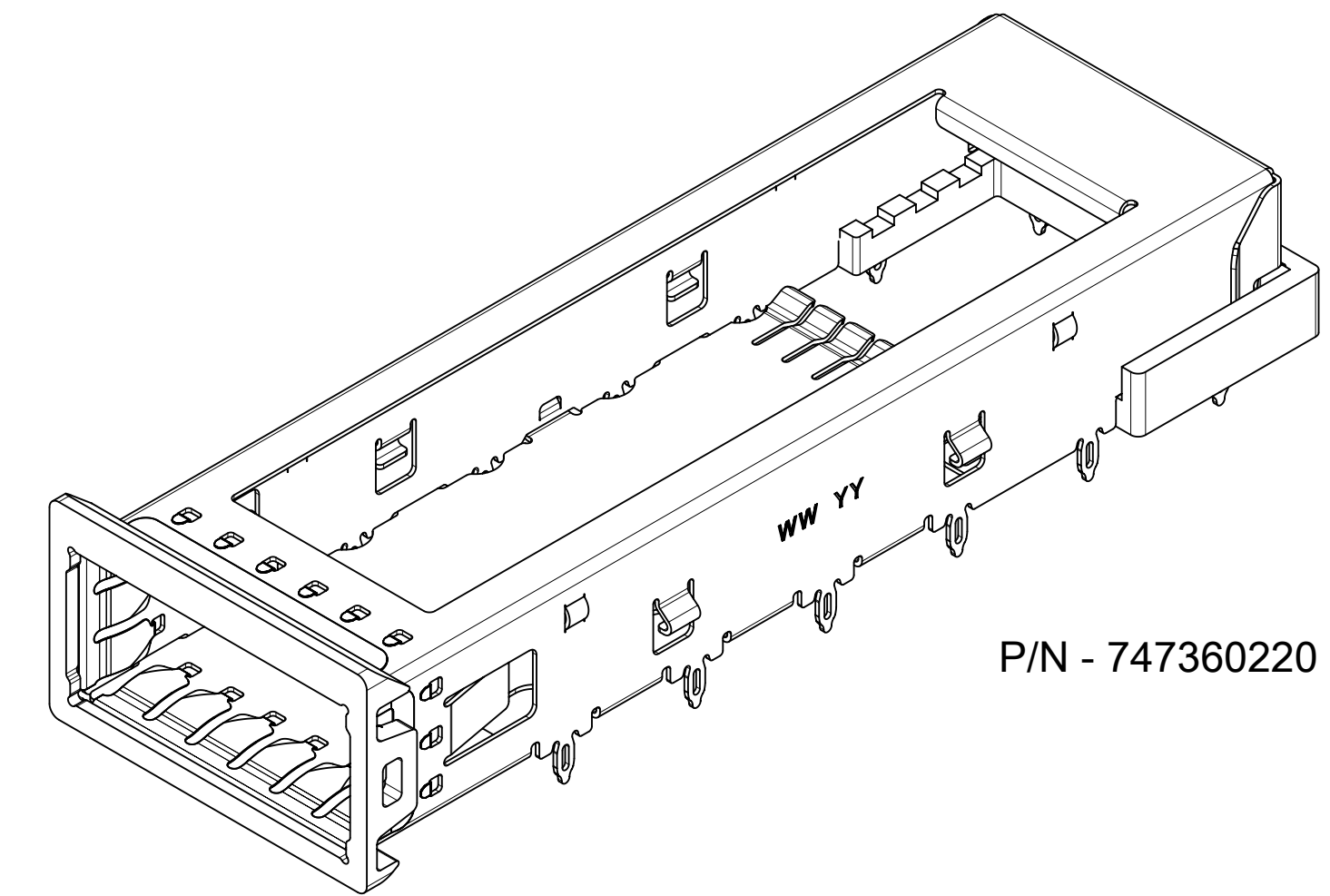
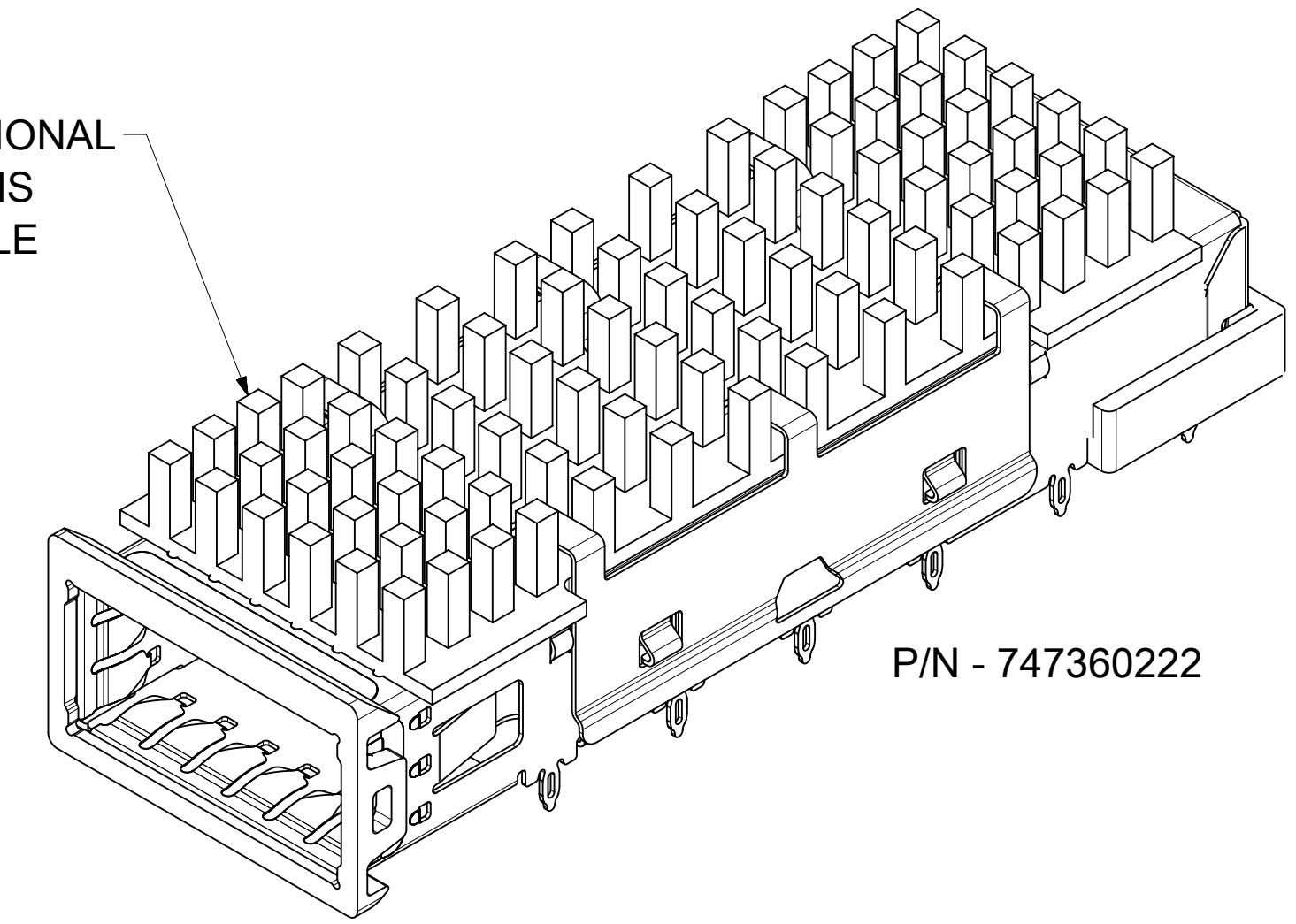
COMPLIANT EMI GASKET
(DARK COLORED)

SHOWN WITH OPTIONAL HEATSINK (SAN) AND CLIP



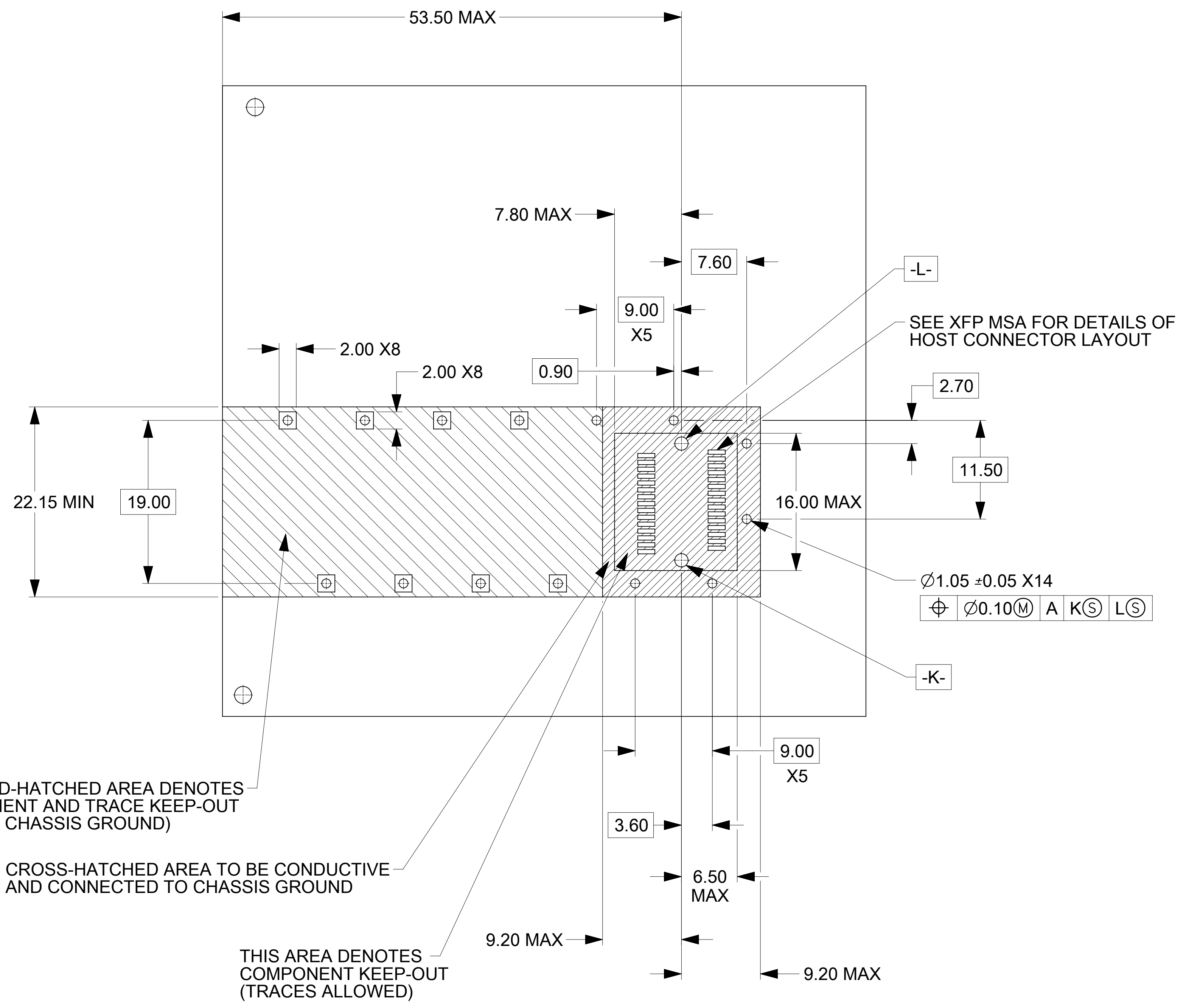
- ▲ MAXIMUM HEIGHT OF HEATSINK WITH MODULE INSERTED
- △ OVERALL HEIGHT OF HEATSINK
- 3. OTHER HEATSINK DESIGNS ARE AVAILABLE INCLUDING CUSTOM DESIGNS

HEATSINK SINK AND CLIP ARE OPTIONAL
SEE CHART FOR HEATSINK OPTIONS
CUSTOM HEATSINKS ARE AVAILABLE



PART NUMBER FOR XFP CAGE ASSEMBLY & PARTS					
P/N	DIM A	DIM B	DESCRIPTION	POWER LEVEL	THERMAL RESISTANCE @200 LFM
747360220	N/A	N/A	XFP CAGE WITH NO HEATSINK OR CLIP	N/A	N/A
747360221	4.0	4.2	XFP CAGE WITH PCI HEATSINK	UP TO 1.5W	<18.0 C/W
747360222	6.3	6.5	XFP CAGE WITH SAN HEATSINK (SHOWN)	UP TO 2.5W	<11.5 C/W
747360230	N/A	N/A	HEATSINK CLIP ONLY	N/A	N/A
747360240	N/A	N/A	PCI HEATSINK ONLY	UP TO 1.5W	<18.0 C/W
747360241	N/A	N/A	SAN HEATSINK ONLY	UP TO 2.5W	<11.5 C/W
747360242	N/A	N/A	TALL HEATSINK ONLY	UP TO 3.5W	<8.0 C/W

THIS DRAWING CONTAINS INFORMATION THAT IS PROPRIETARY TO MOLEX ELECTRONIC TECHNOLOGIES, LLC AND SHOULD NOT BE USED WITHOUT WRITTEN PERMISSION								
DIMENSION UNITS mm	SCALE 3:1	CURRENT REV DESC:						
GENERAL TOLERANCES (UNLESS SPECIFIED)		<p>molex</p> <p>XFP CAGE ASSEMBLY</p> <p>PRODUCT CUSTOMER DRAWING</p>						
	MM INCH					EC NO: 624461	2019/02/04	DOCUMENT NUMBER
4 PLACES ±	±					DRWN: AKUMAR19	2019/10/17	DOC TYPE
3 PLACES ±	±					CHK'D: GGA	2019/10/17	DOC PART
2 PLACES ±	0.1 ±					APPR: GGA	2019/10/17	REVISION
1 PLACE ±	0.25 ±	INITIAL REVISION:		SD-74736-220				
0 PLACES ±	±	DRWN: KLLOYD	2004/05/14	PSD				
ANGULAR TOL ±	1.0 °	APPR: RMAHMOOD	2010/11/09	001				
DRAFT WHERE APPLICABLE MUST REMAIN WITHIN DIMENSIONS	THIRD ANGLE PROJECTION	DRAWING	SERIES	CUSTOMER	SHEET NUMBER			
		D-SIZE	74736	GENERAL MARKET	1 OF 3			

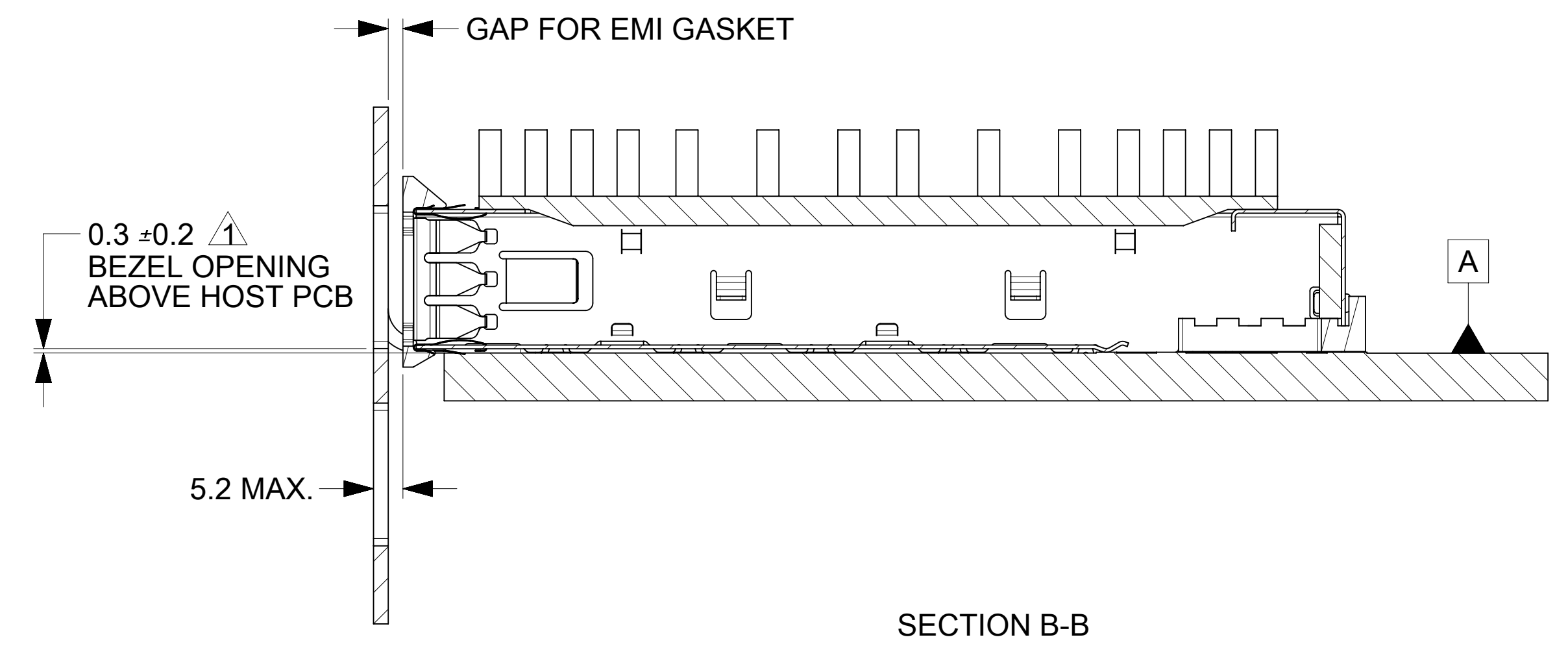
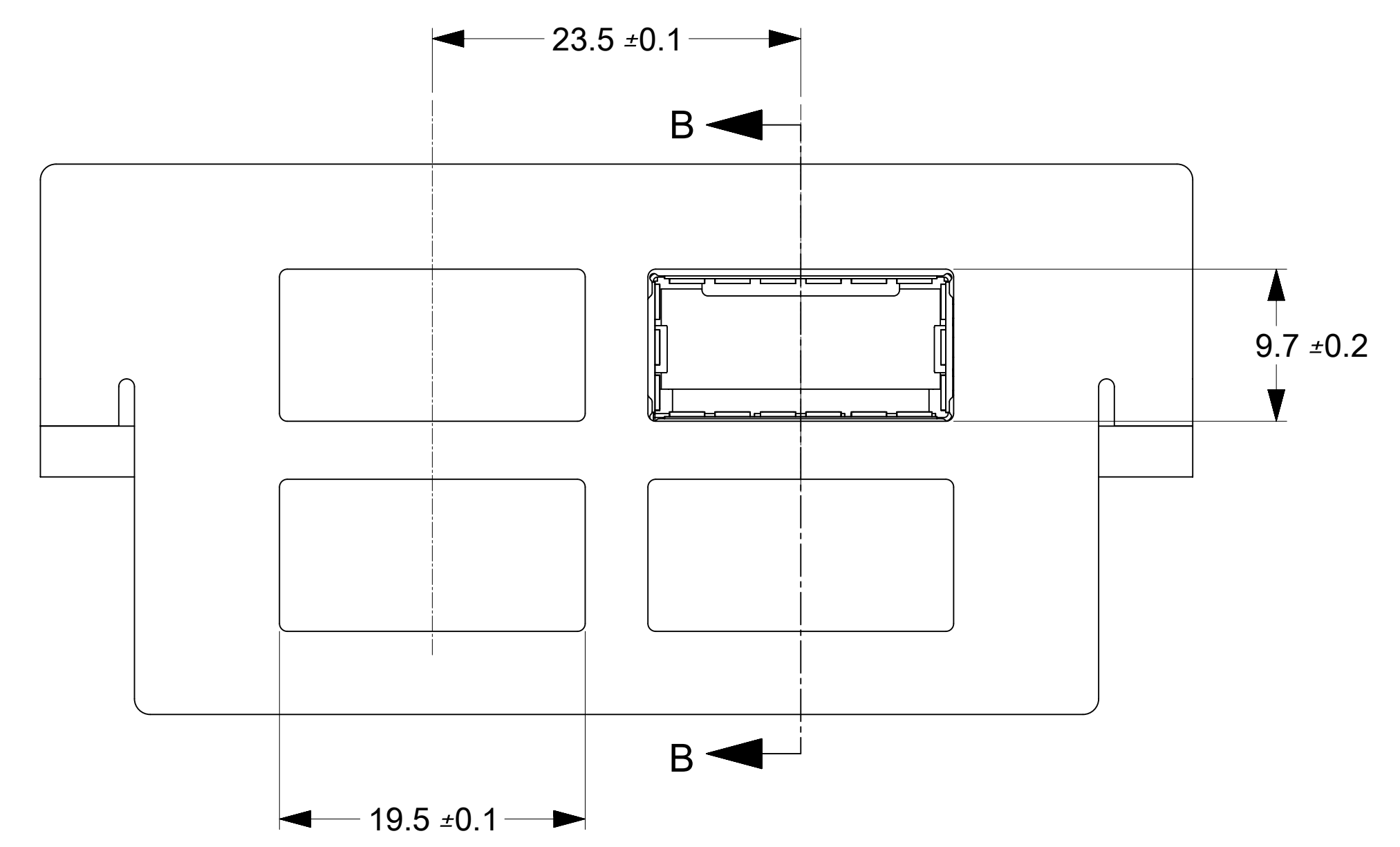


CROSSED-HATCHED AREA DENOTES COMPONENT AND TRACE KEEP-OUT (EXCEPT CHASSIS GROUND)

CROSS-HATCHED AREA TO BE CONDUCTIVE AND CONNECTED TO CHASSIS GROUND

THIS AREA DENOTES COMPONENT KEEP-OUT (TRACES ALLOWED)

▲ FOR PCI APPLICATIONS RECOMMENDED DIMENSION IS 0.4 ±0.1



THIS DRAWING CONTAINS INFORMATION THAT IS PROPRIETARY TO MOLEX ELECTRONIC TECHNOLOGIES, LLC AND SHOULD NOT BE USED WITHOUT WRITTEN PERMISSION									
DIMENSION UNITS		SCALE		CURRENT REV DESC:					
mm		3:1							
GENERAL TOLERANCES (UNLESS SPECIFIED)				EC NO: 624461					
		MM	INCH	DRWN: AKUMAR19		2019/02/04			
4 PLACES		±	±	CHK'D: GGA		2019/10/17			
3 PLACES		±	±	APPR: GGA		2019/10/17			
2 PLACES		±	0.1	INITIAL REVISION:					
1 PLACE		±	0.25	DRWN: KLLOYD		2004/05/14			
0 PLACES		±	±	APPR: RMAHMOOD		2010/11/09			
ANGULAR TOL		± 1.0 °							
DRAFT WHERE APPLICABLE MUST REMAIN WITHIN DIMENSIONS				THIRD ANGLE PROJECTION		DRAWING		SERIES	
				D-SIZE		74736			
DOCUMENT NUMBER				DOC TYPE		DOC PART		REVISION	
SD-74736-220				PSD		001		H	
MATERIAL NUMBER				CUSTOMER		SHEET NUMBER			
SEE TABLE				GENERAL MARKET		2 OF 3			

DOCUMENT STATUS	P1	RELEASE DATE	2019/10/17	02:39:02
-----------------	----	--------------	------------	----------

DATE	REV	DESCRIPTION
2015/11/05	G	SHEET 1: H15: CHANGED DIM 2.28 REF. TO DIM 2.28 +/-0.13. H19: CHANGED DIM 9.70 REF. TO DIM 9.70 +/-0.13.
2019/02/04	H	SHEET 1: OBSOLETED PART NUMBER 747360223

THIS DRAWING CONTAINS INFORMATION THAT IS PROPRIETARY TO MOLEX ELECTRONIC TECHNOLOGIES, LLC AND SHOULD NOT BE USED WITHOUT WRITTEN PERMISSION									
DIMENSION UNITS		SCALE		CURRENT REV DESC:				molex	
mm		1:1							
GENERAL TOLERANCES (UNLESS SPECIFIED)				EC NO: 624461		2019/02/04		XFP CAGE ASSEMBLY	
		MM	INCH	DRWN: AKUMAR19					
4 PLACES	±		±	2019/10/17		CHK'D: GGA		PRODUCT CUSTOMER DRAWING	
3 PLACES	±		±	2019/10/17		APPR: GGA			
2 PLACES	±	0.1	±	2019/10/17		INITIAL REVISION:		DOCUMENT NUMBER	
1 PLACE	±	0.25	±			DRWN: KLLOYD			
0 PLACES	±		±			2004/05/14		SD-74736-220	
ANGULAR TOL		± 1.0 °		APPR: RMAHMOOD		2010/11/09		PSD	
DRAFT WHERE APPLICABLE MUST REMAIN WITHIN DIMENSIONS		THIRD ANGLE PROJECTION		DRAWING		SERIES		REVISION	
				D-SIZE		74736		001 H	
				MATERIAL NUMBER		CUSTOMER		SHEET NUMBER	
				SEE TABLE		GENERAL MARKET		3 OF 3	

DOCUMENT STATUS	P1	RELEASE DATE	2019/10/17	02:39:02
-----------------	----	--------------	------------	----------