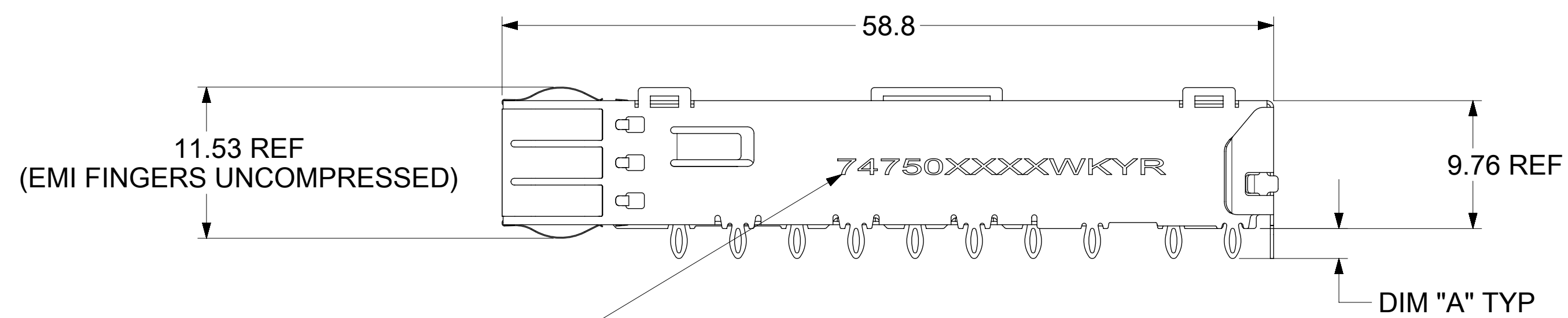
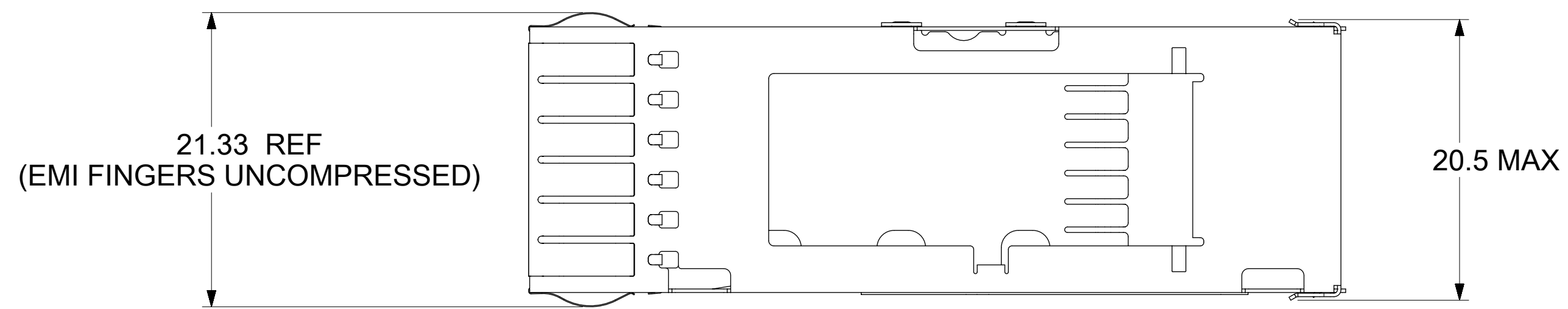


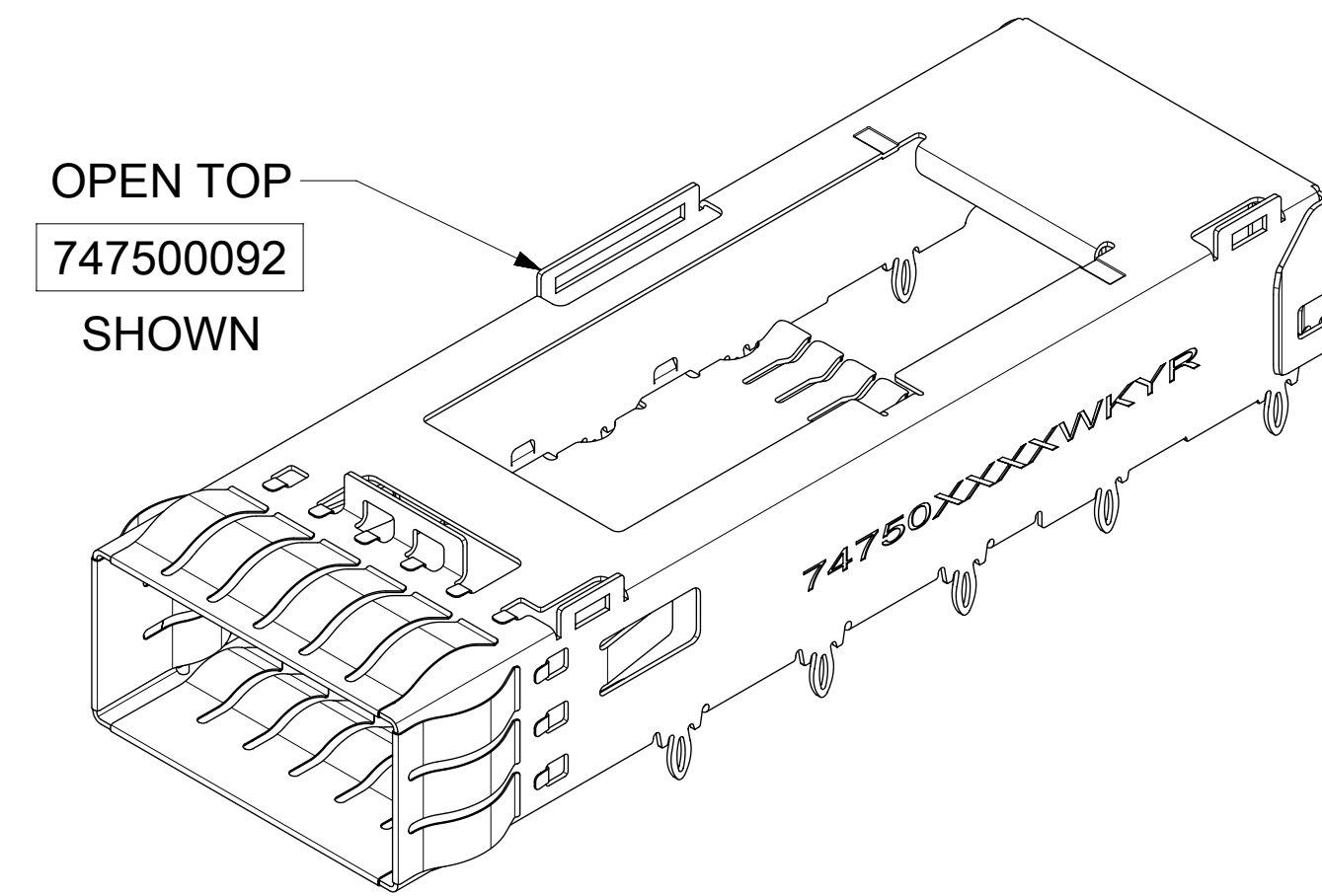
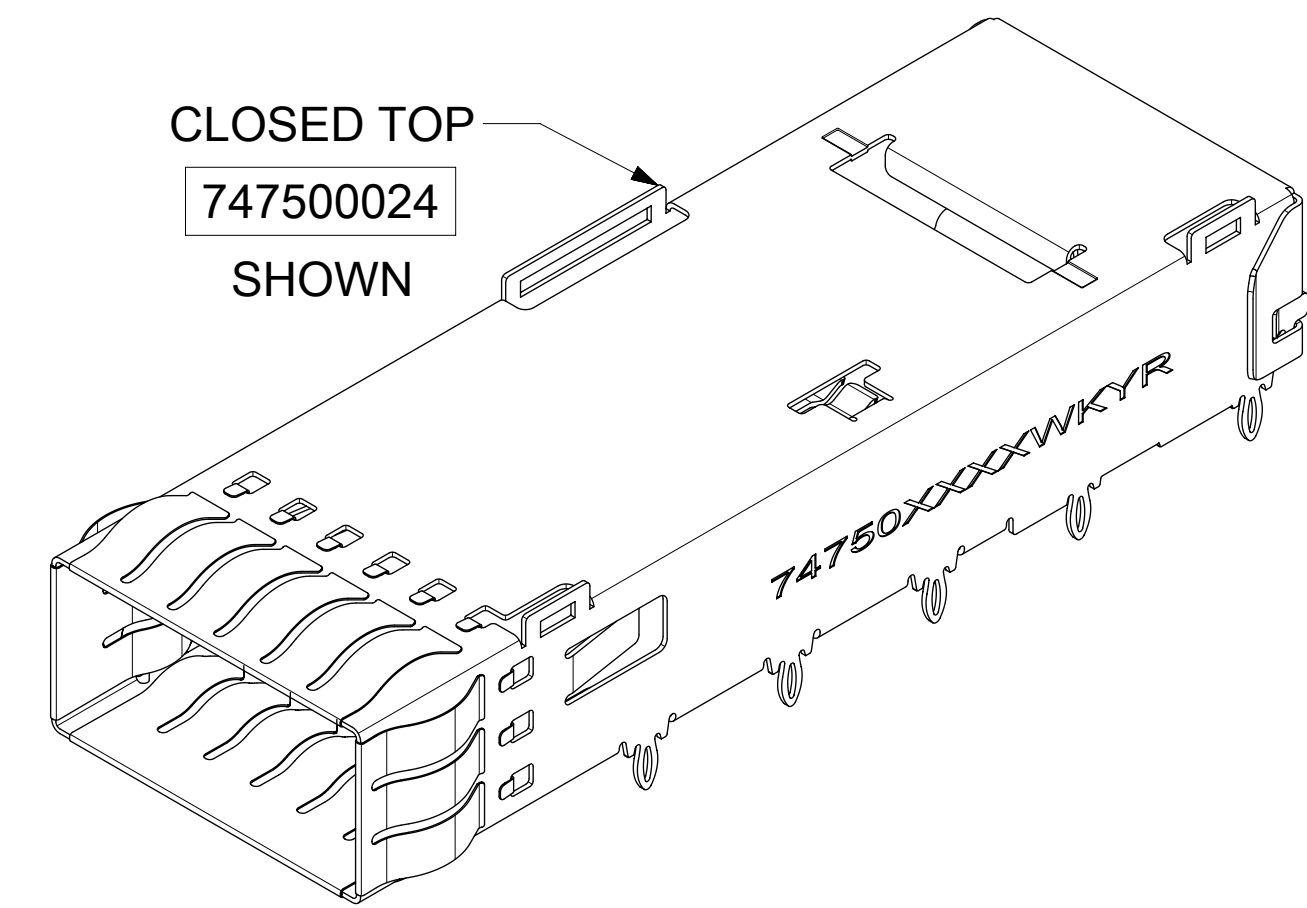
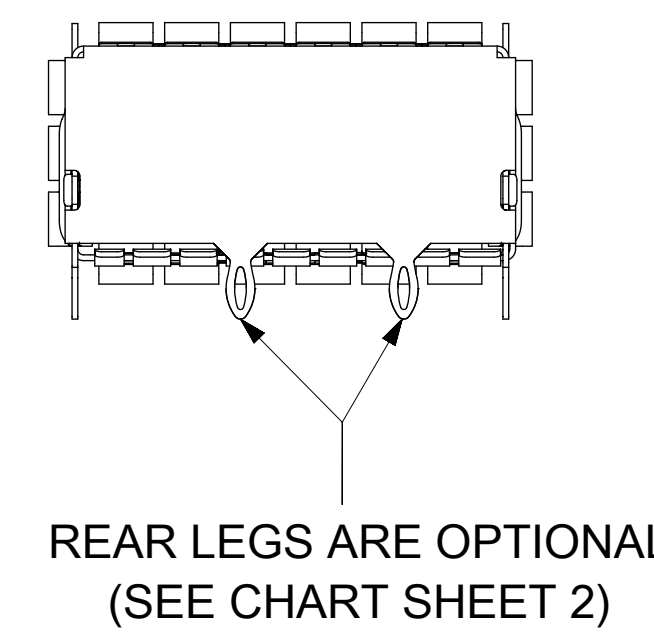
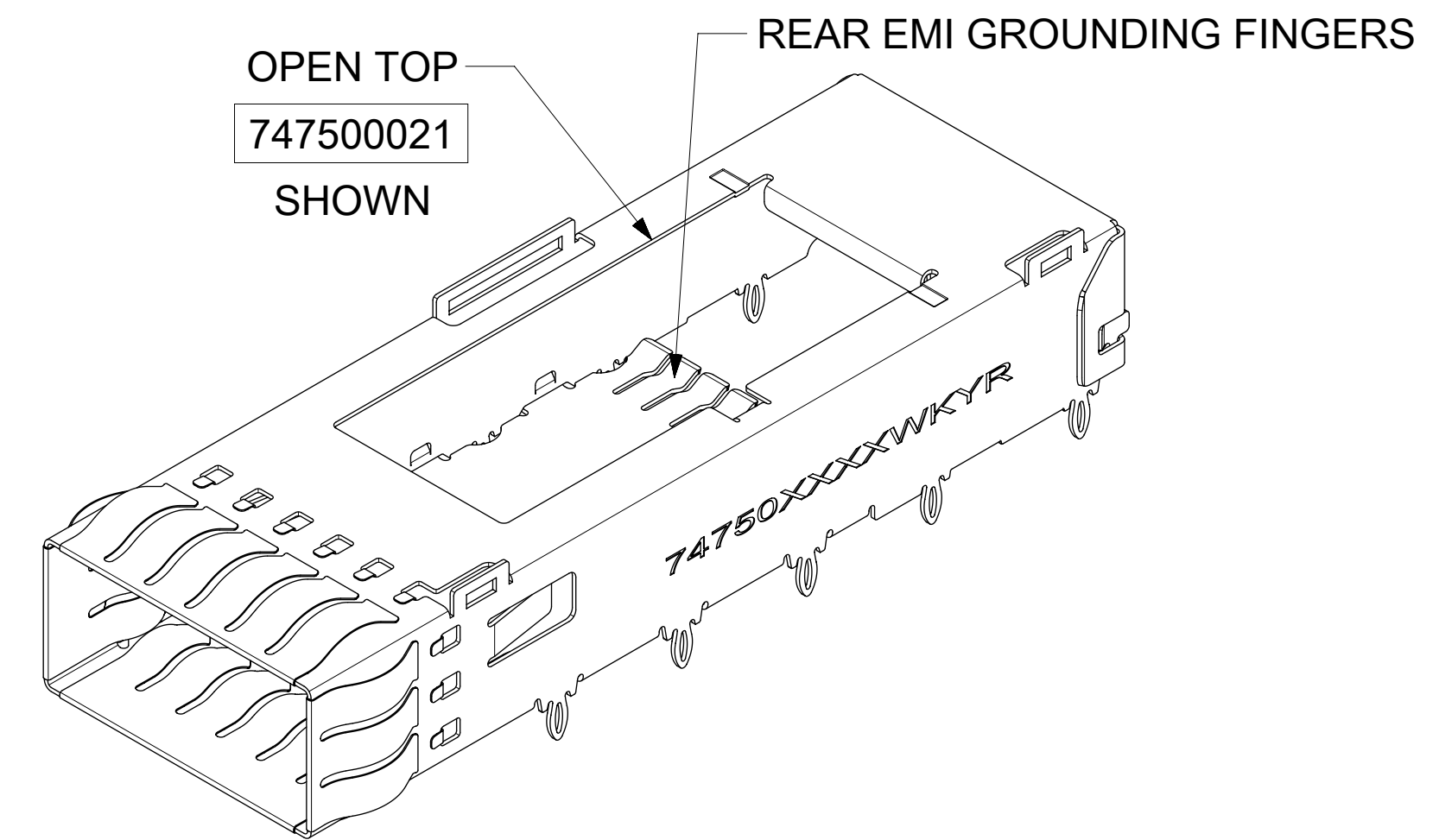
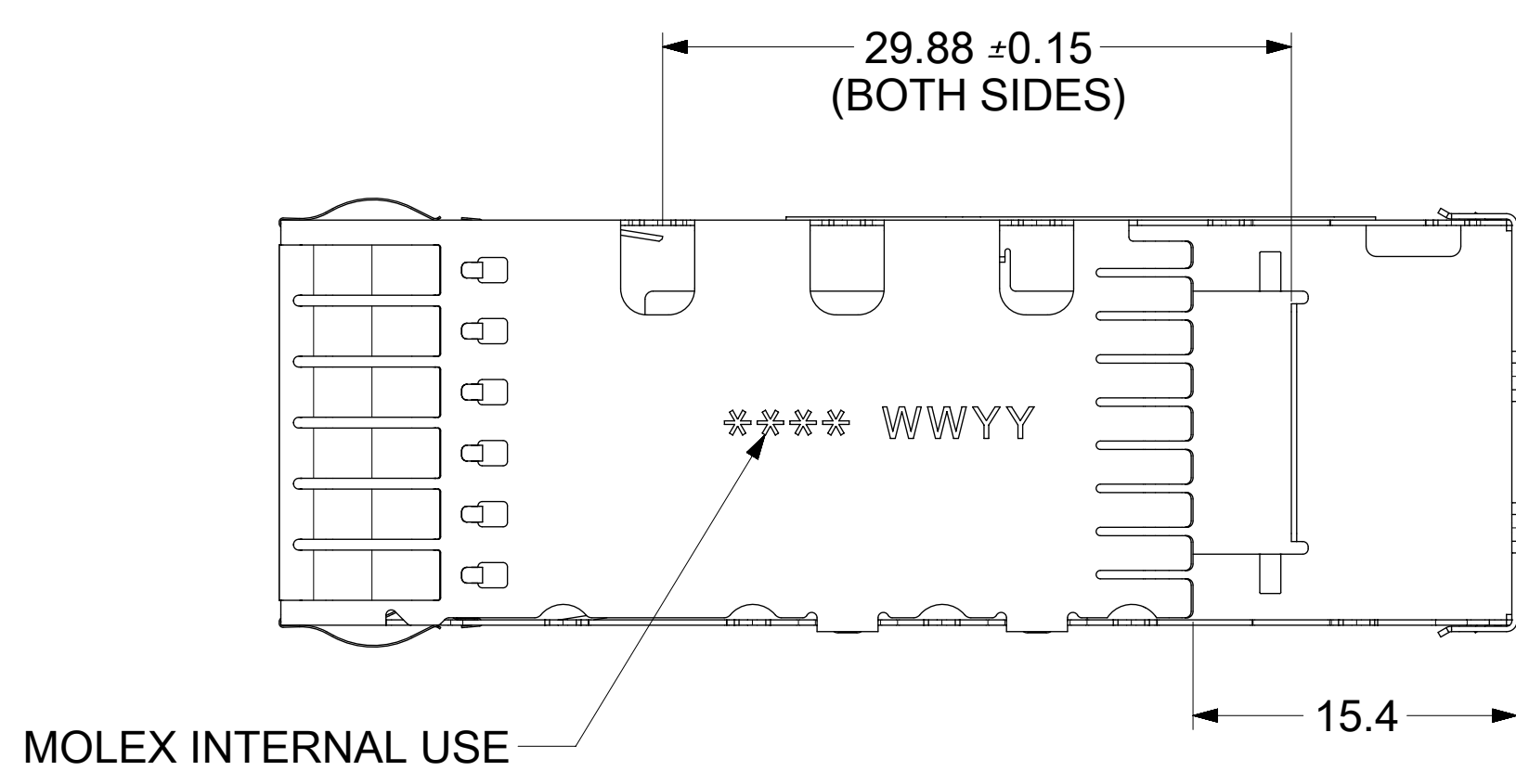
BASE CAGE DETAILS

(APPLIES TO ALL CAGES IN THIS DRAWING)



PART NO. AND WEEK/YEAR DATE CODE TO BE PRINTED ON SIDE OF COMPLETED CAGE ASSEMBLY AS SHOWN.

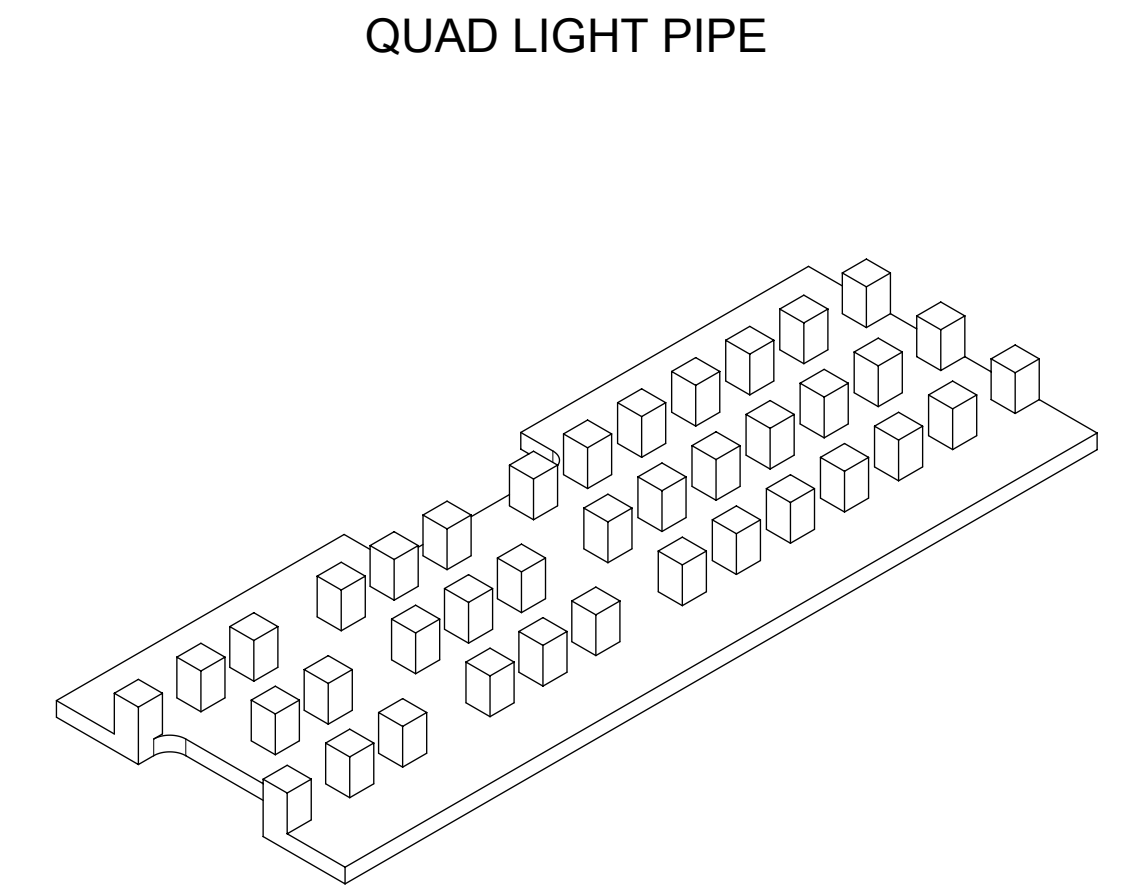
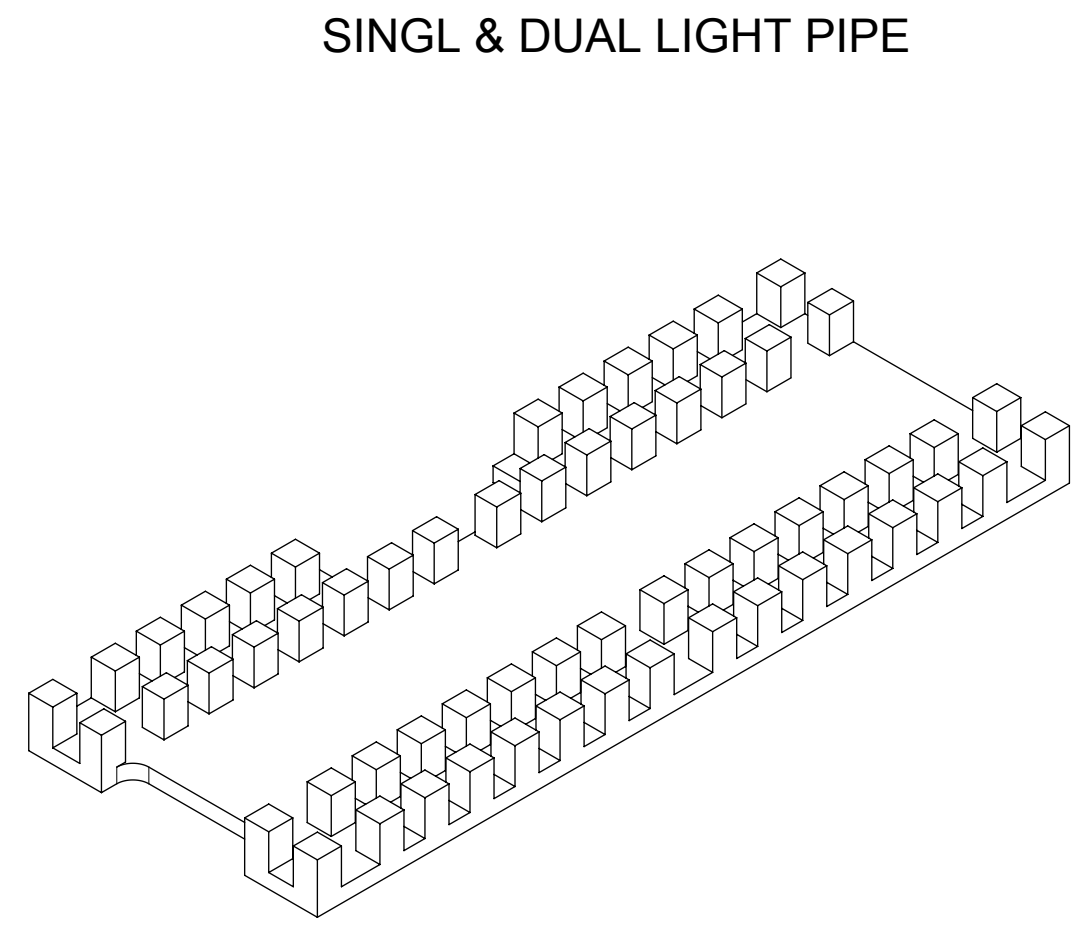
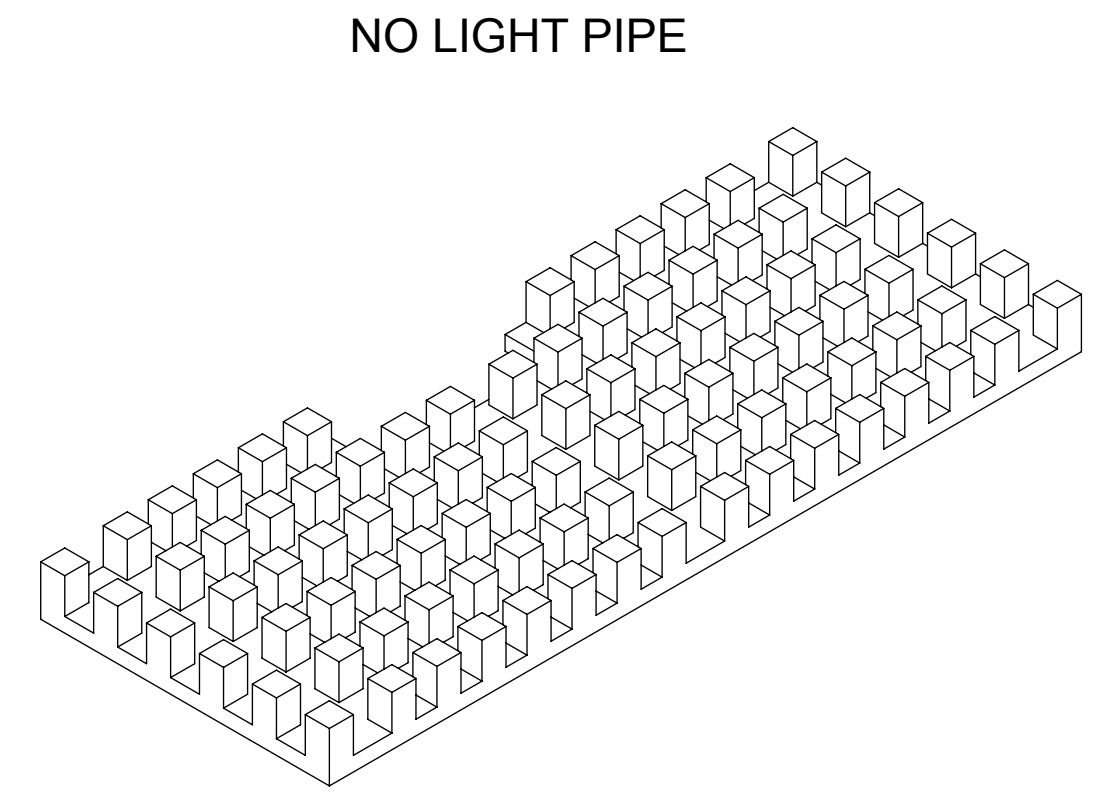
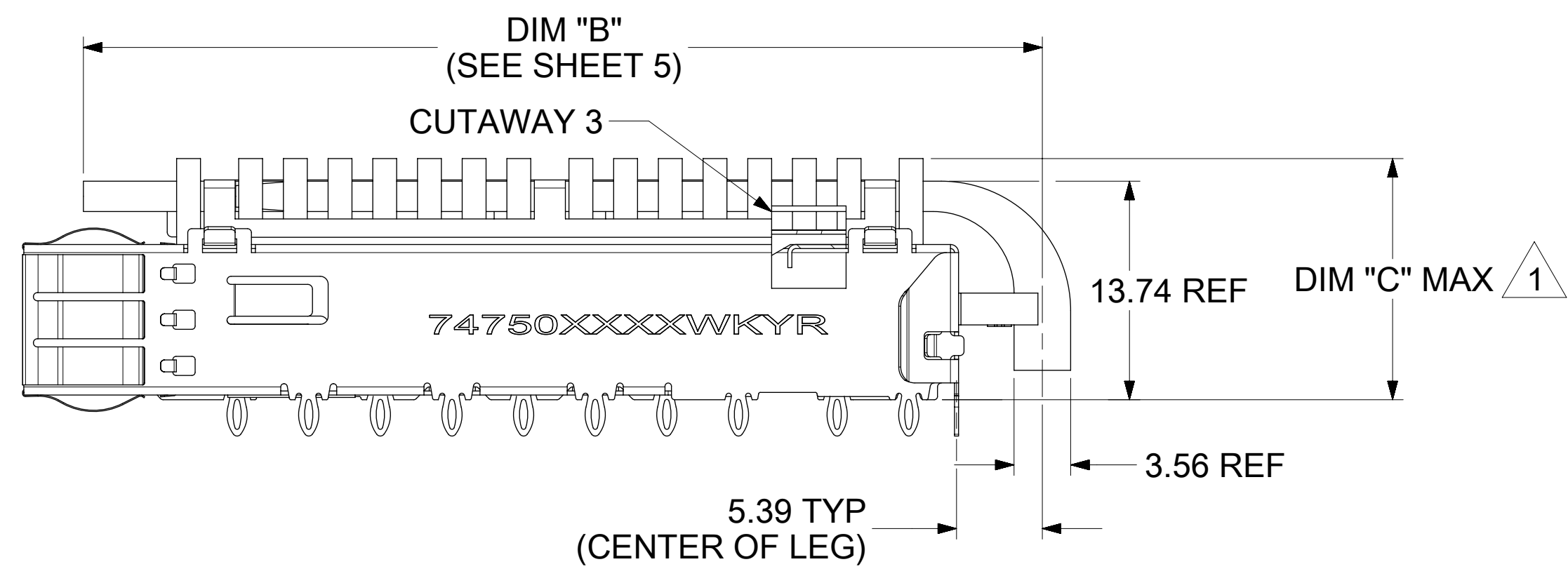
WEEK/YEAR DATE CODE TABLE	
WK	01 THRU 52 EXAMPLE: 01 = FIRST WEEK OF YEAR 52 = LAST WEEK OF YEAR
YR	17, 18, 19 ETC. EXAMPLE: YEAR 2017 = 17



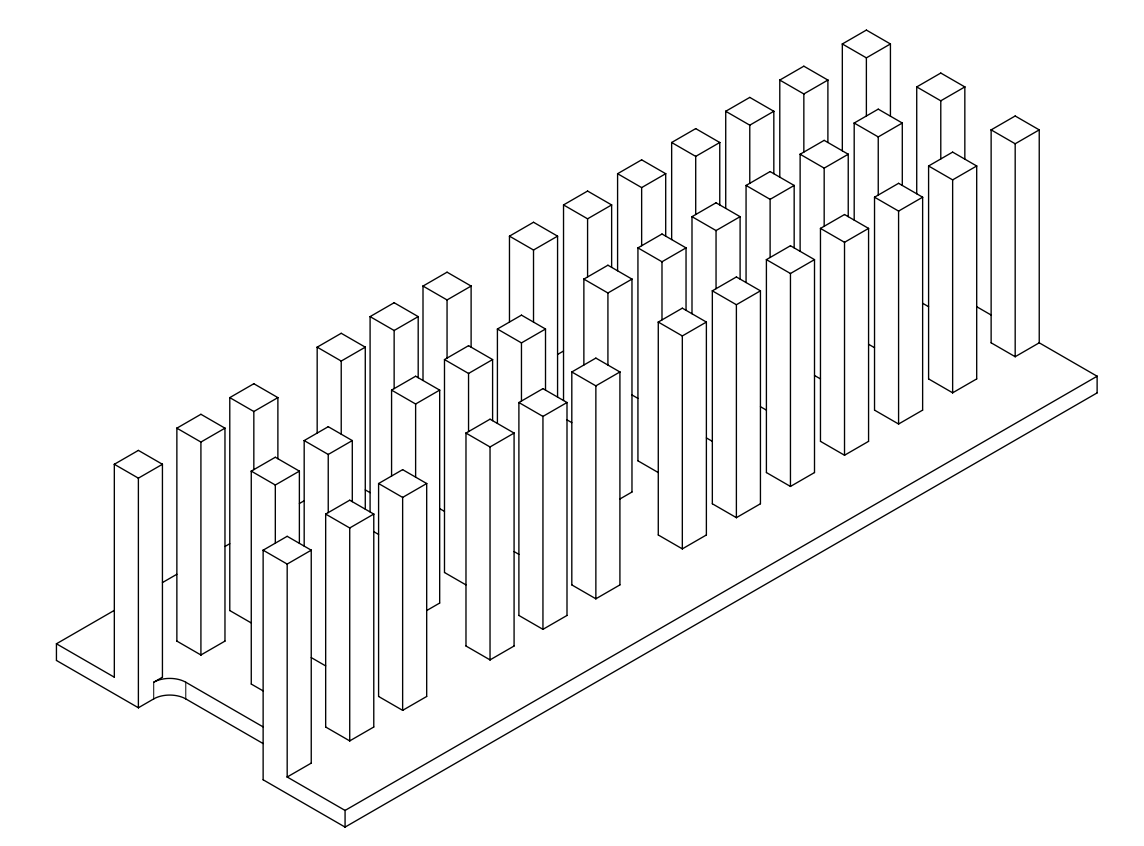
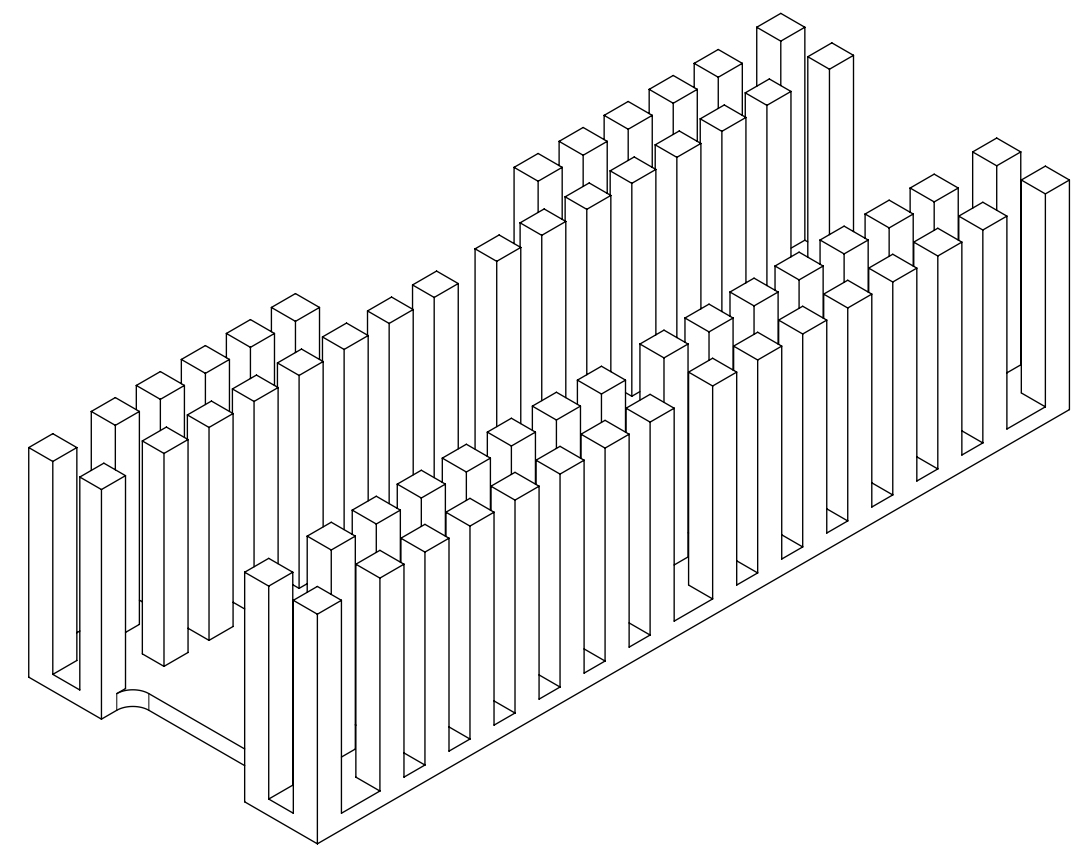
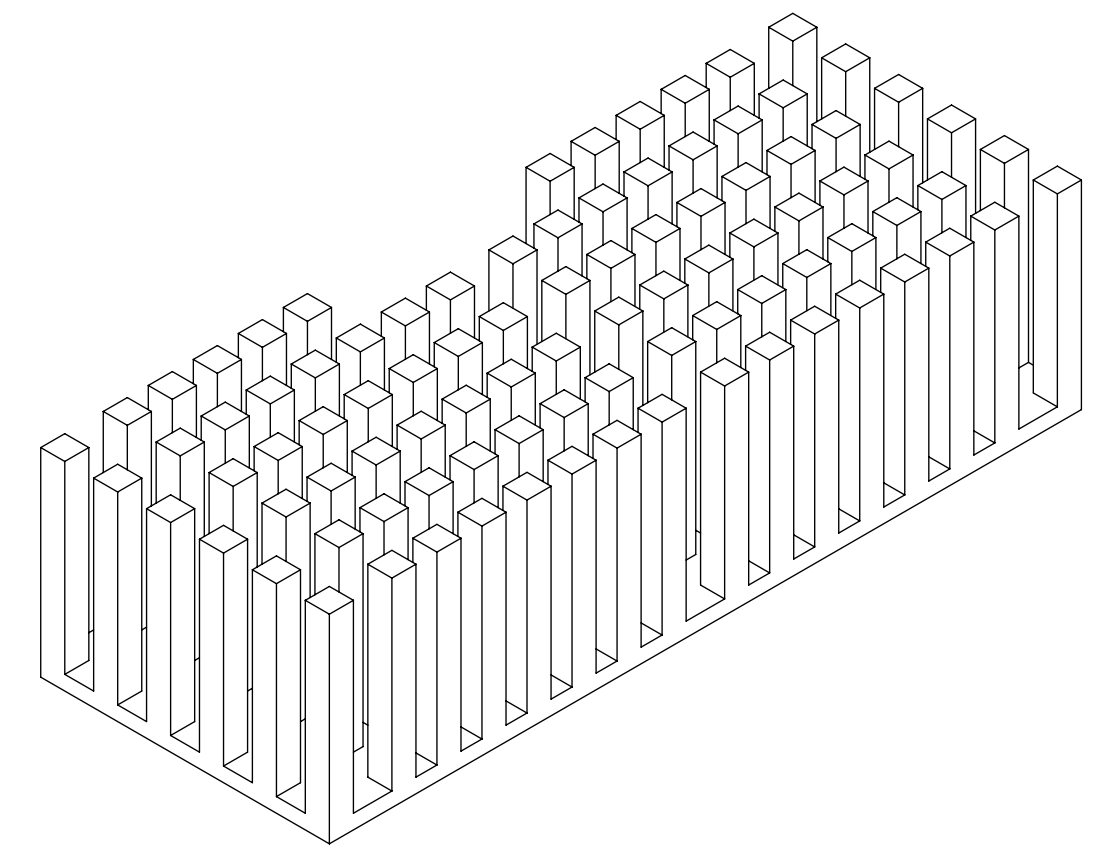
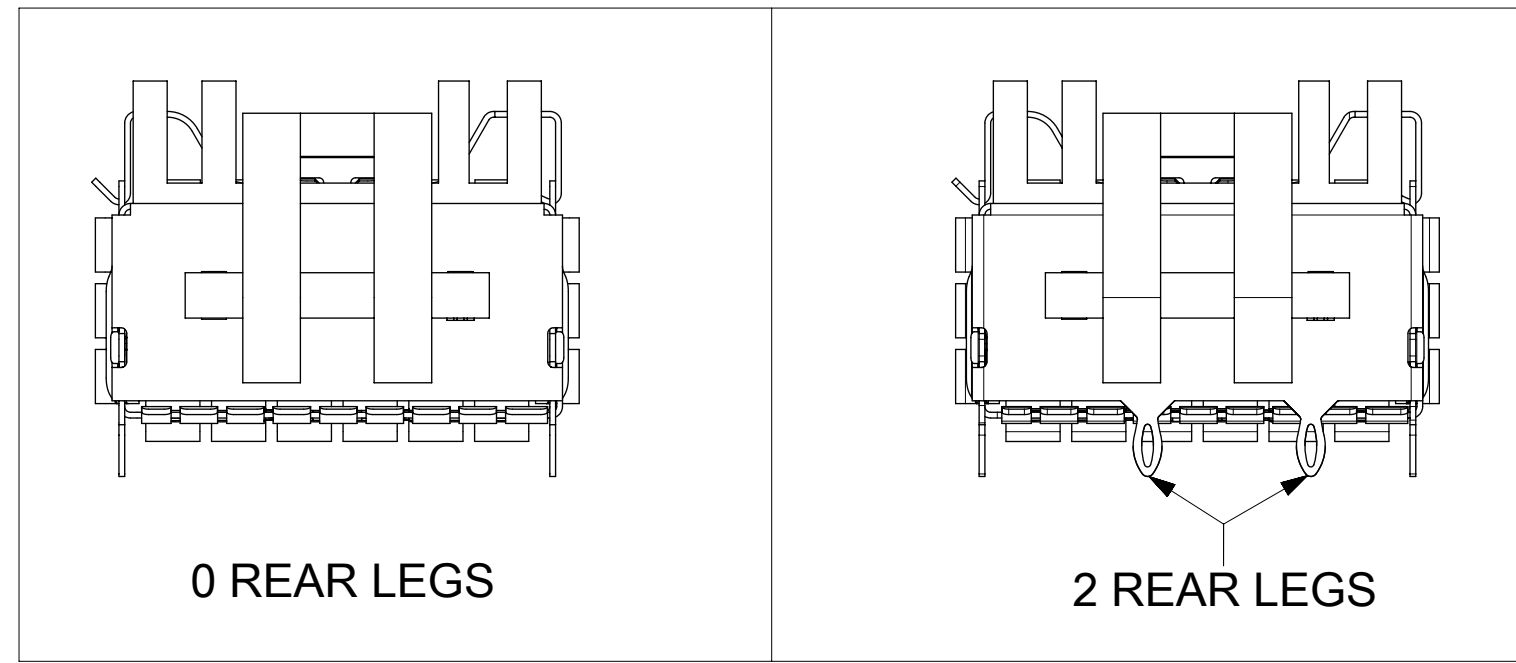
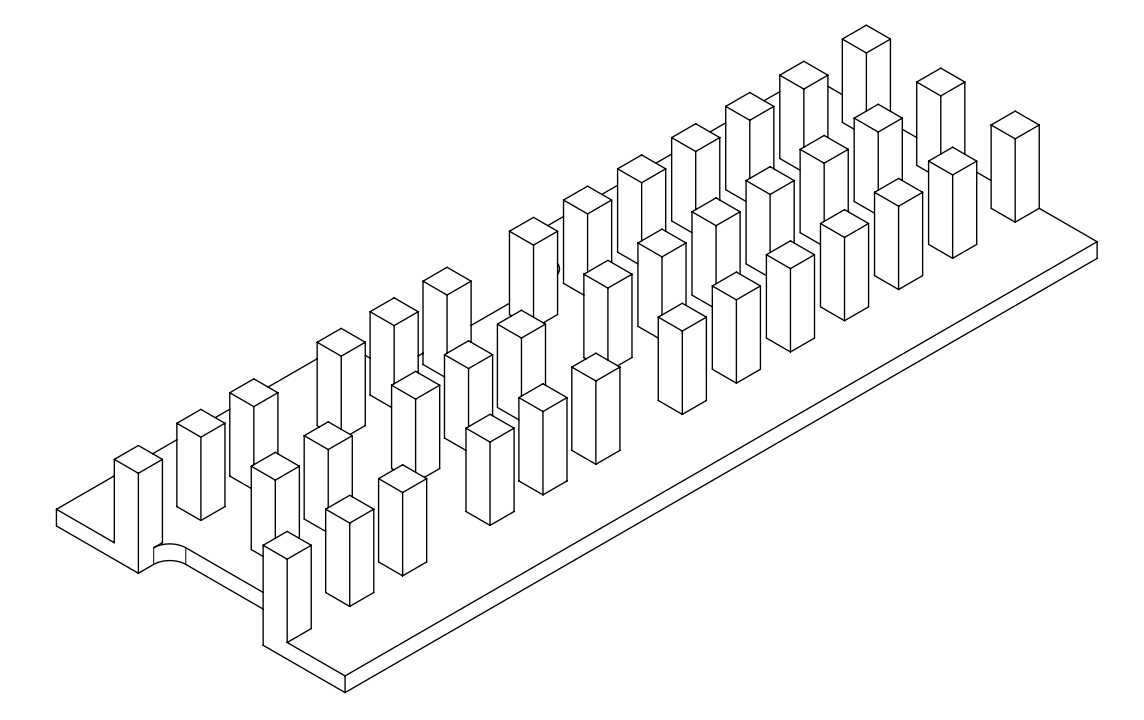
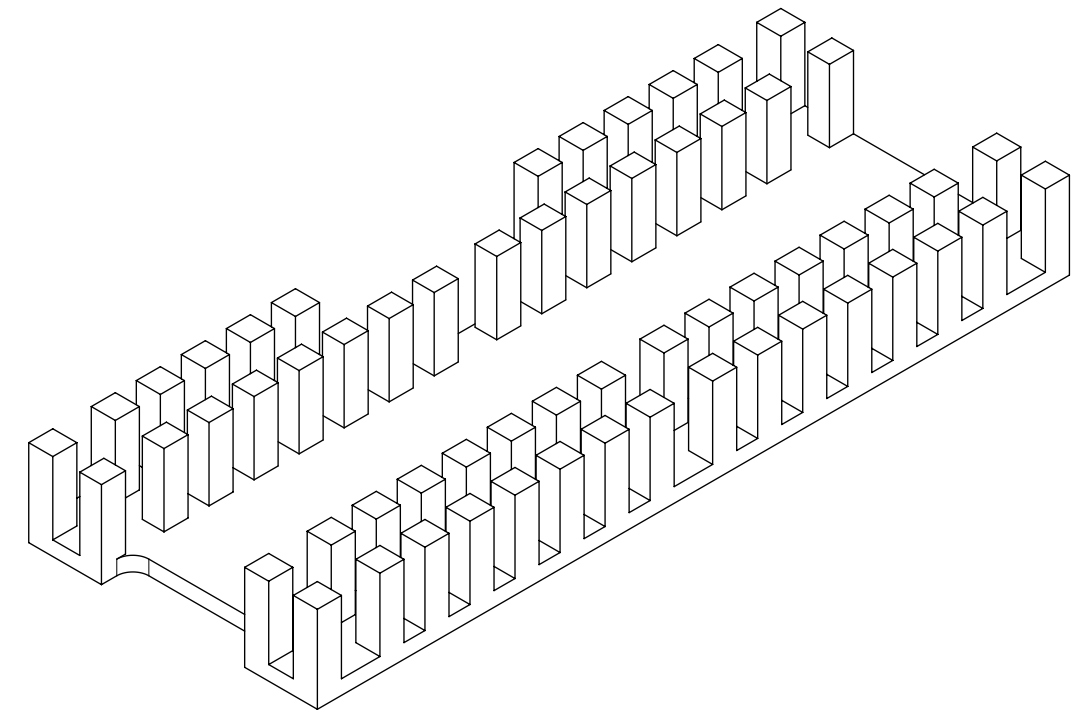
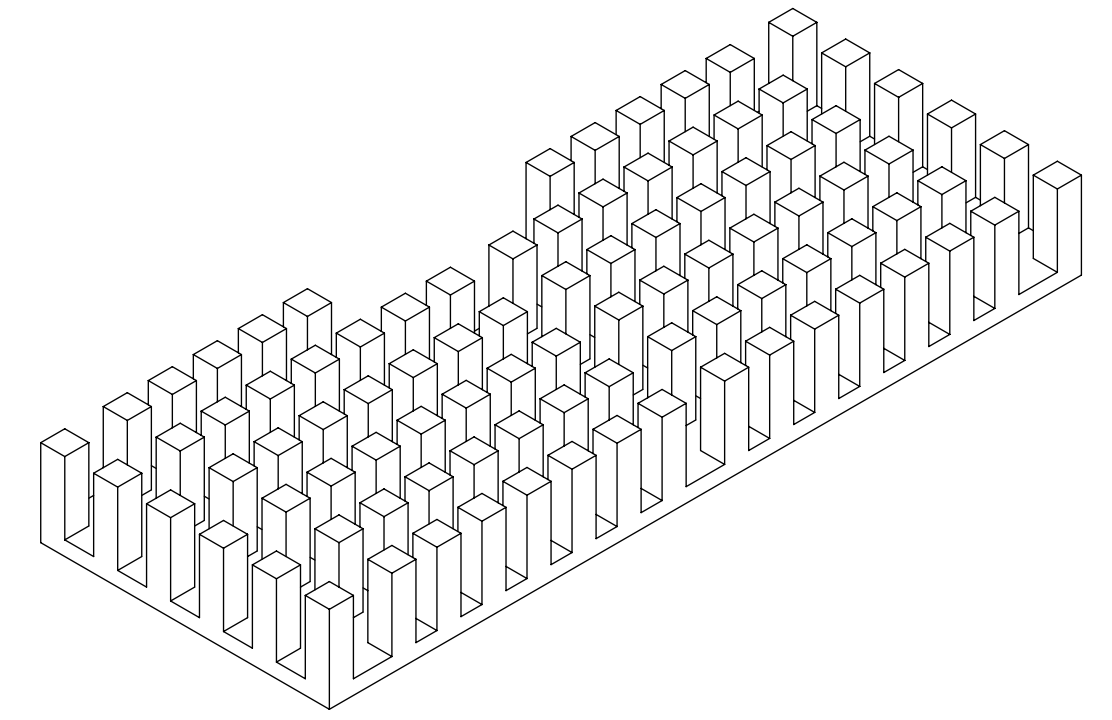
- NOTES:**
1. QSFP+ ASSEMBLIES ALSO AVAILABLE WITH 1X2 (74767 SERIES), 1X3 (74768 SERIES), 1X4 (74769 SERIES) AND 1X6 (74771 SERIES) CONFIGURATIONS.
 2. MATERIAL:
 LIGHT PIPE/HEATSINK CLIP: STAINLESS STEEL
 LIGHT PIPES: POLYCARBONATE (UL 94-V-0 RATED)
 HEAT SINKS: BLACK ANNOXIDIZED ALUMINUM
 CAGE: COPPER ALLOY, NICKEL PLATED
 3. NO RoHS EXEMPTIONS
 4. CUSTOM HEATSINKS AVAILABLE UPON REQUEST

QUALITY SYMBOLS ▽ = 0 ▽ = 0 ▽ = 0 ▽ = 0 ▽ = 0 ▽ = 0 ▽ = 0 ▽ = 0 ▽ = 0 ▽ = 0	THIS DRAWING CONTAINS INFORMATION THAT IS PROPRIETARY TO MOLEX ELECTRONIC TECHNOLOGIES, LLC AND SHOULD NOT BE USED WITHOUT WRITTEN PERMISSION				DIMENSION UNITS mm		SCALE DRWN BY DATE SJKG 2016/06/23				
	GENERAL TOLERANCES (UNLESS SPECIFIED) ANGULAR TOL ± 1.0 ° 4 PLACES ± 3 PLACES ± 2 PLACES ± 0.13 1 PLACE ± 0.25 0 PLACES ±		CHKD BY DATE DSUN15 2017/06/02		APPR BY DATE RCHEN08 2017/06/05		PRODUCT CUSTOMER DRAWING				
	DRAFT WHERE APPLICABLE MUST REMAIN WITHIN DIMENSIONS		DRAWING SIZE D		THIRD ANGLE PROJECTION		SERIES MATERIAL NUMBER CUSTOMER 74750 SEE SHEET 5, 6 & 7 GENERAL MARKET				
	EC NO: 122627 DRWN: MKEMPEGOWDA CHKD: ELIU08 REV APPR: RCHEN08		EC NO: 122627 DRWN: MKEMPEGOWDA CHKD: ELIU08 REV APPR: RCHEN08		DOCUMENT NUMBER 747500021		DOC TYPE PSD		DOC PART SHEET NUMBER ASY 1 OF 12		

CAGE ASSEMBLY OPTIONS



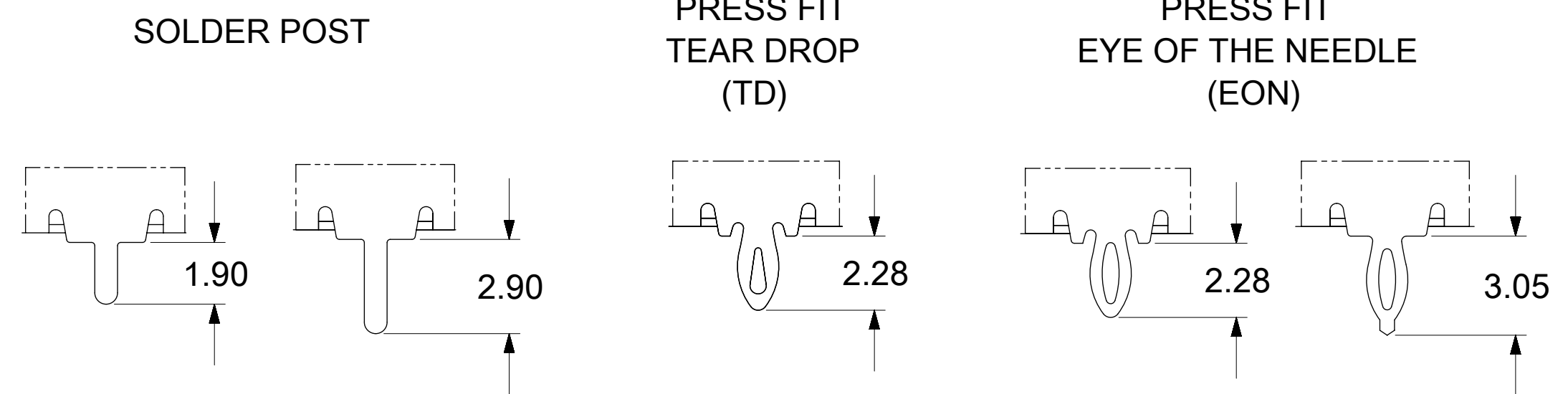
REAR LEG OPTIONS



LEG OPTIONS

HEAT SINK HEIGHT OPTIONS

OVERALL HEAT SINK HEIGHT	DIM C
PCI	13.7
SAN	16.0
NET	23.0

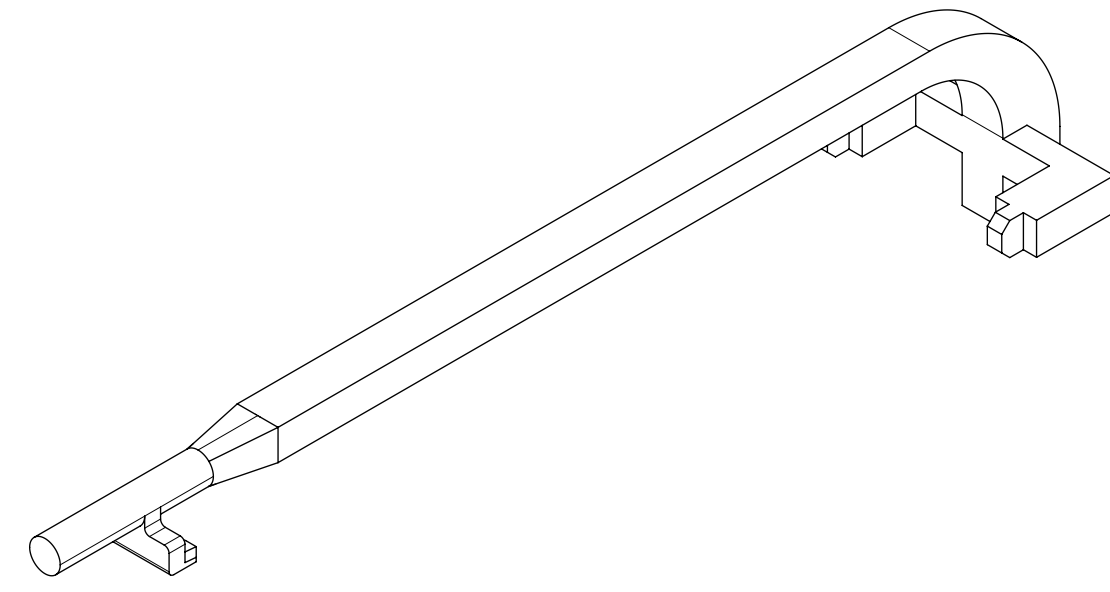


QUALITY SYMBOLS □ = 0 ▽ = 0 ▽ = 0 ▽ = 0 ▽ = 0 ▽ = 0 ▽ = 0 ▽ = 0 ▽ = 0 ▽ = 0		THIS DRAWING CONTAINS INFORMATION THAT IS PROPRIETARY TO MOLEX ELECTRONIC TECHNOLOGIES, LLC AND SHOULD NOT BE USED WITHOUT WRITTEN PERMISSION		DIMENSION UNITS: mm SCALE:		molex	
SEE REVISION TABLE EC NO: 122627 DRWN: MKEMPEGOWDA CHKD: ELIU08 REV APPR: RCHEN08		GENERAL TOLERANCES (UNLESS SPECIFIED) ANGULAR TOL ± 1.0 ° 4 PLACES ± 3 PLACES ± 2 PLACES ± 0.13 1 PLACE ± 0.25 0 PLACES ± DRAFT WHERE APPLICABLE MUST REMAIN WITHIN DIMENSIONS		DRWN BY: SJKG DATE: 2016/06/23 CHKD BY: DSUN15 DATE: 2017/06/02 APPR BY: RCHEN08 DATE: 2017/06/05		PRODUCT CUSTOMER DRAWING	
SERIES: 74750 MATERIAL NUMBER: 747500021 DOCUMENT NUMBER: 747500021		DATE: 2017/06/05		CUSTOMER: GENERAL MARKET		DOC TYPE: PSD DOC PART: ASY SHEET NUMBER: 2 OF 12	

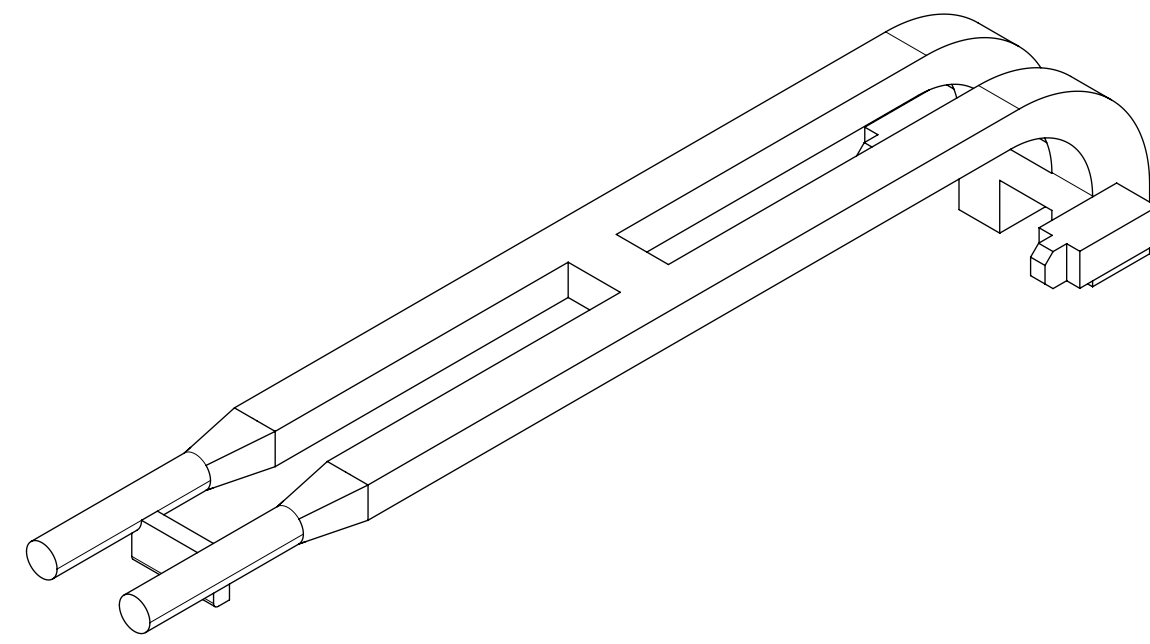
1 HEIGHT OF HEATSINK WITH MODULE INSERTED. DIMENSION MAY BE LESS DUE TO MODULE AND HEATSINK VARIATIONS.

CAGE ASSEMBLY OPTIONS (CONT.)

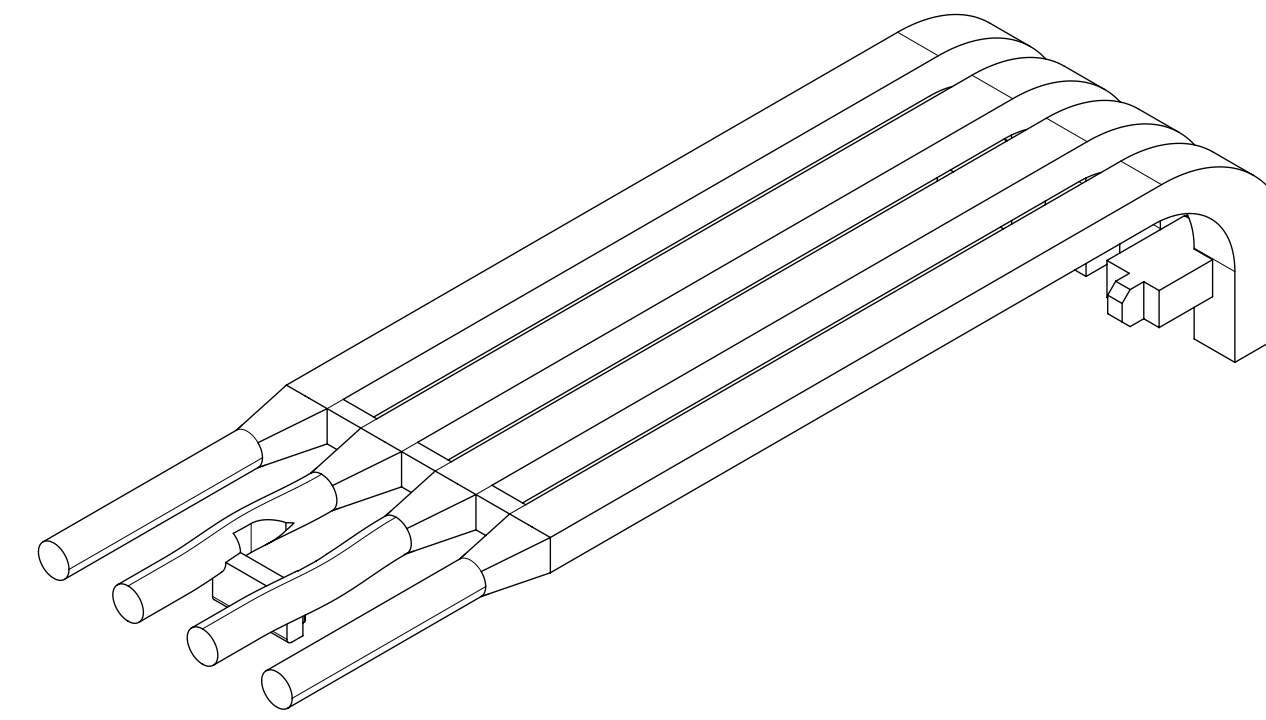
SINGLE LIGHT PIPE



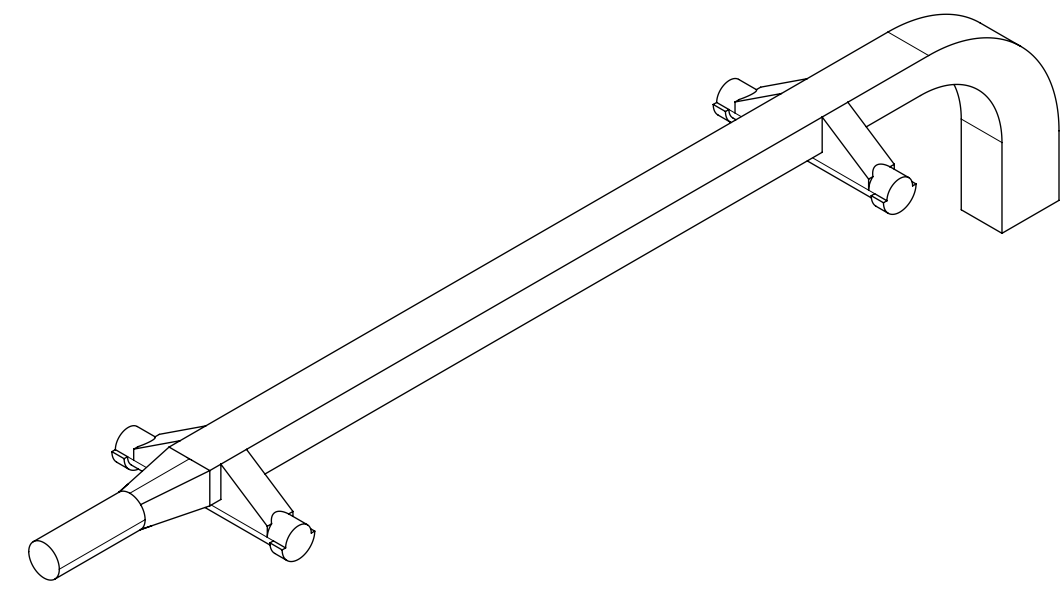
DUAL LIGHT PIPE



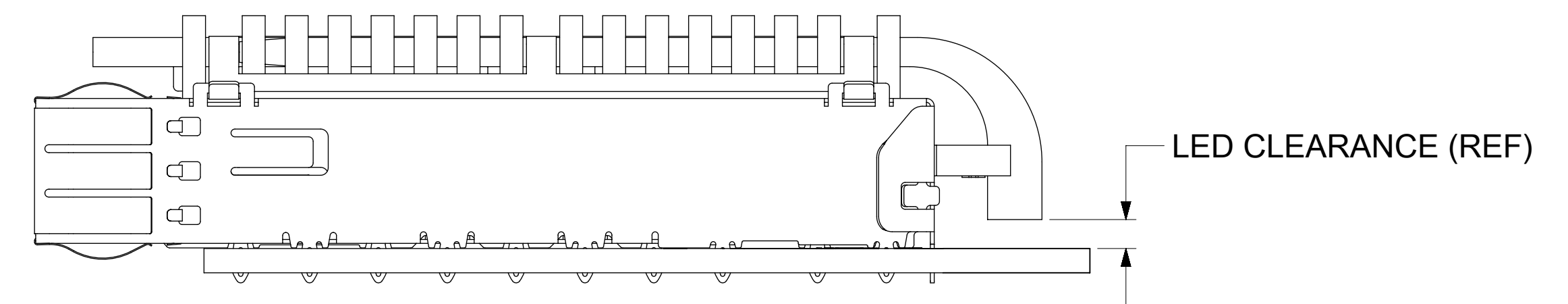
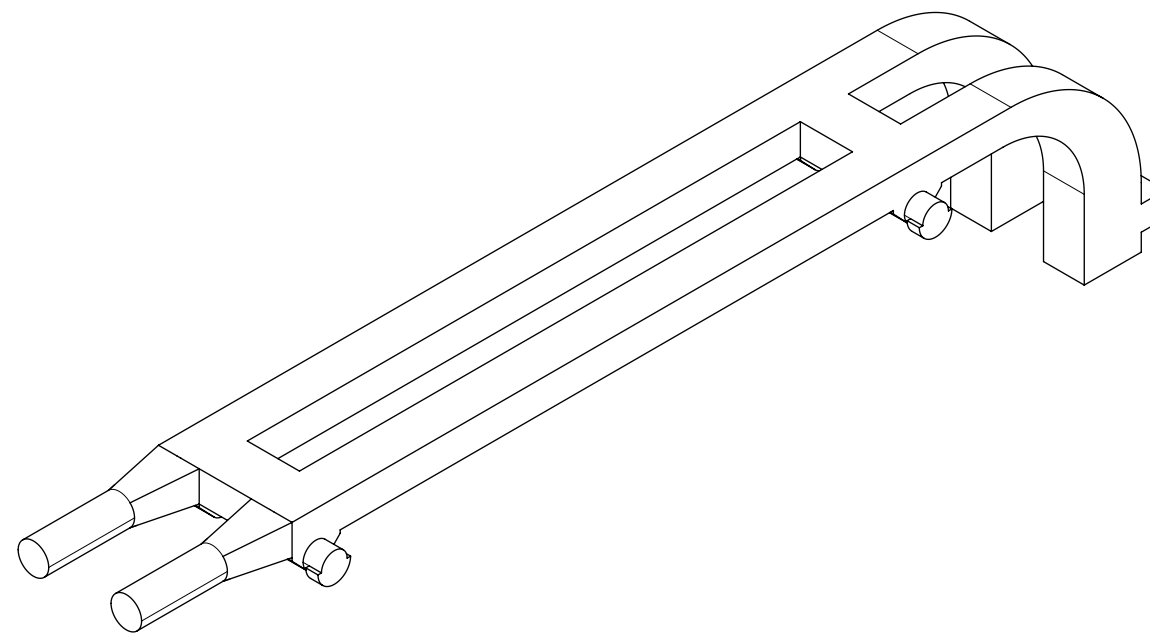
QUAD LIGHT PIPE



SINGLE LIGHT PIPE



DUAL LIGHT PIPE



LIGHT PIPE	LED CLEARANCE (REF)
SINGLE	1.86
SINGLE	1.86
DUAL	1.86
DUAL	1.86
QUAD	1.86

NOTE:
1) FOR HEATSINK OPTIONS SEE SHEET 2.

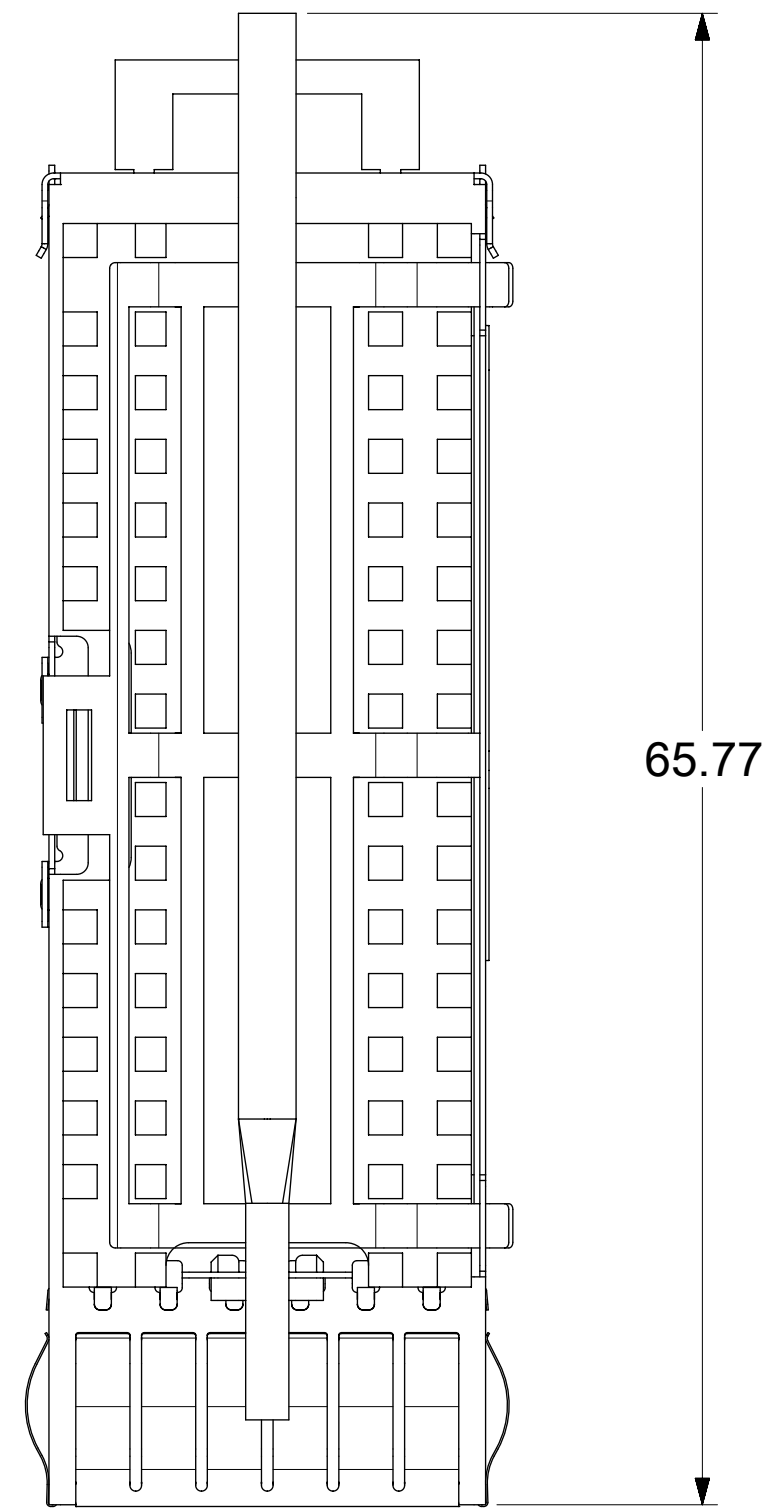
<p>QUALITY SYMBOLS</p> <p>▽ = 0</p> <p>▽ = 0</p> <p>▽ = 0</p> <p>▽ = 0</p> <p>▽ = 0</p> <p>▽ = 0</p> <p>▽ = 0</p> <p>▽ = 0</p> <p>▽ = 0</p>	<p>THIS DRAWING CONTAINS INFORMATION THAT IS PROPRIETARY TO MOLEX ELECTRONIC TECHNOLOGIES, LLC AND SHOULD NOT BE USED WITHOUT WRITTEN PERMISSION</p> <p>SEE REVISION TABLE</p> <p>EC NO: 122627</p> <p>DRWN: MKEMPEGOWDA</p> <p>CHKD: ELIU08</p> <p>REV APPR: RCHEN08</p> <p>DATE: 2017/09/27</p> <p>DATE: 2017/09/28</p> <p>DATE: 2017/09/28</p>	<p>GENERAL TOLERANCES (UNLESS SPECIFIED)</p> <p>ANGULAR TOL ± 1.0 °</p> <p>4 PLACES ±</p> <p>3 PLACES ±</p> <p>2 PLACES ± 0.13</p> <p>1 PLACE ± 0.25</p> <p>0 PLACES ±</p> <p>DRAFT WHERE APPLICABLE MUST REMAIN WITHIN DIMENSIONS</p>	<p>DIMENSION UNITS</p> <p>mm</p> <p>SCALE</p> <p>DRWN BY</p> <p>SJKG</p> <p>DATE</p> <p>2016/06/23</p> <p>CHKD BY</p> <p>DSUN15</p> <p>DATE</p> <p>2017/06/02</p> <p>APPR BY</p> <p>RCHEN08</p> <p>DATE</p> <p>2017/06/05</p> <p>DRAWING SIZE</p> <p>D</p> <p>THIRD ANGLE PROJECTION</p>	<p>SERIES</p> <p>74750</p> <p>DOCUMENT NUMBER</p> <p>747500021</p>	<p>MATERIAL NUMBER</p> <p>SEE SHEET 5, 6 & 7</p> <p>DOC TYPE</p> <p>PSD</p>	<p>CUSTOMER</p> <p>GENERAL MARKET</p> <p>DOC PART</p> <p>ASY</p>	<p>SHEET NUMBER</p> <p>3 OF 12</p>
---	---	--	--	--	---	--	------------------------------------



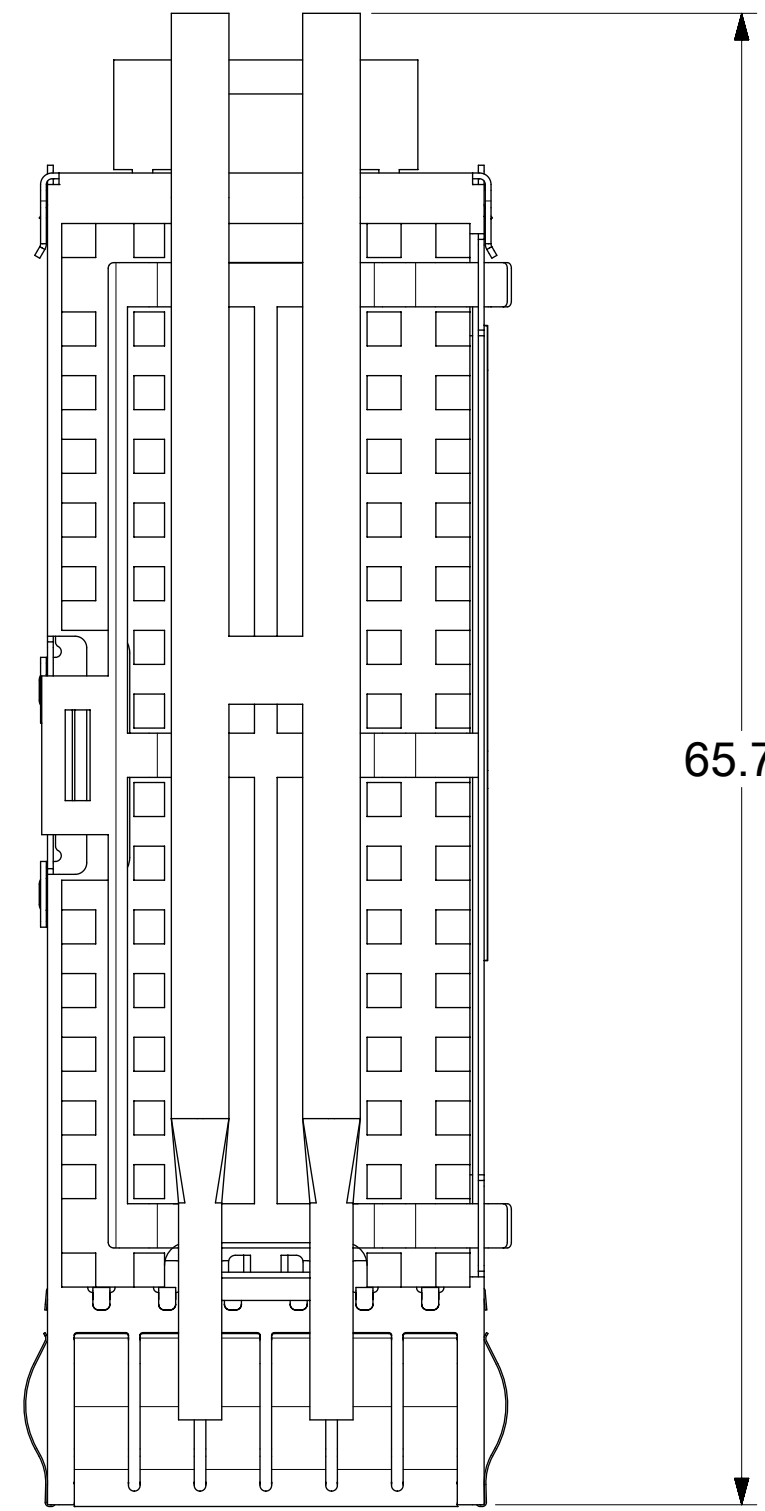
QSFP+ 1X1 CAGE ASSEMBLY
WITH SPRING FINGER TYPE

PRODUCT CUSTOMER DRAWING

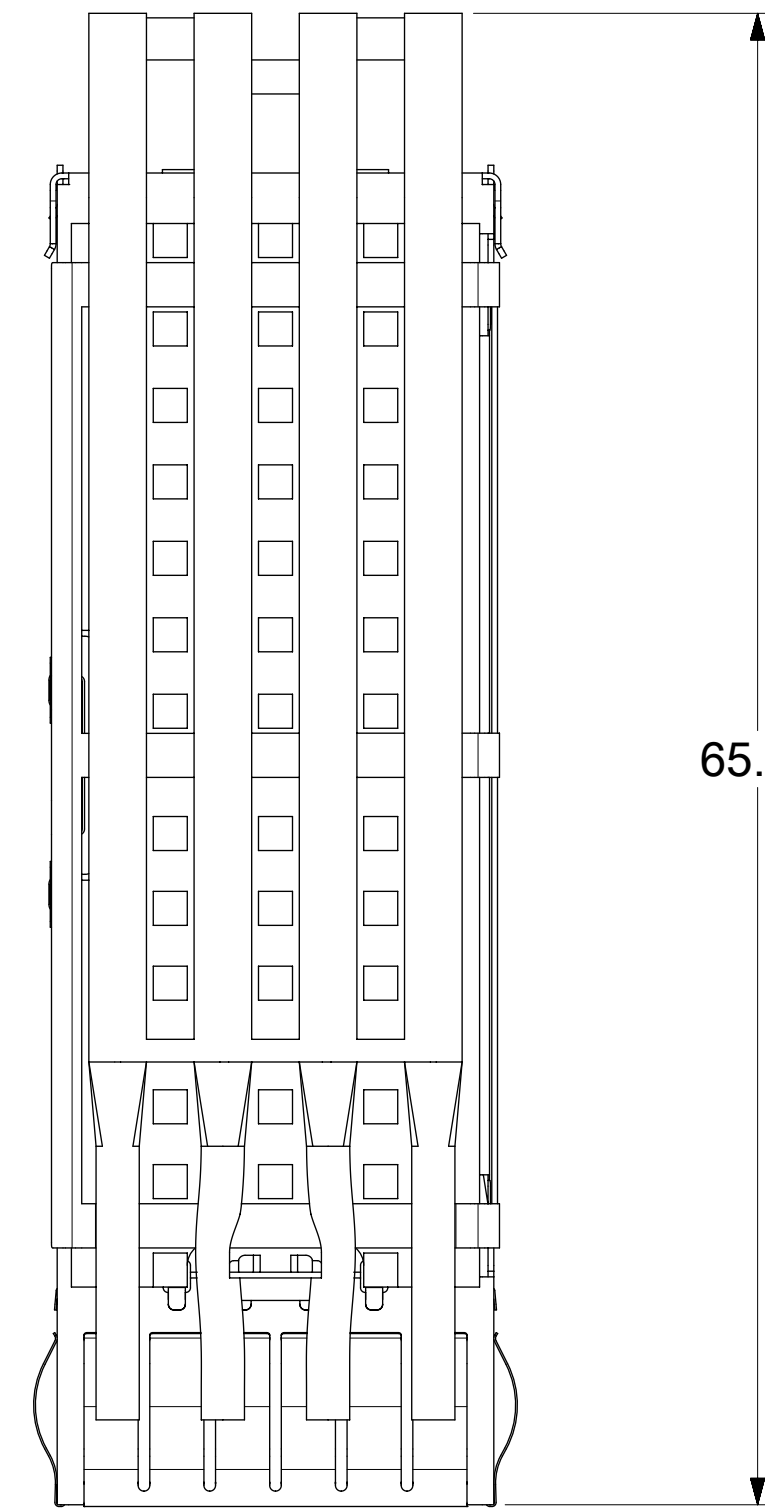
CAGE ASSEMBLY OPTIONS (CONT.)



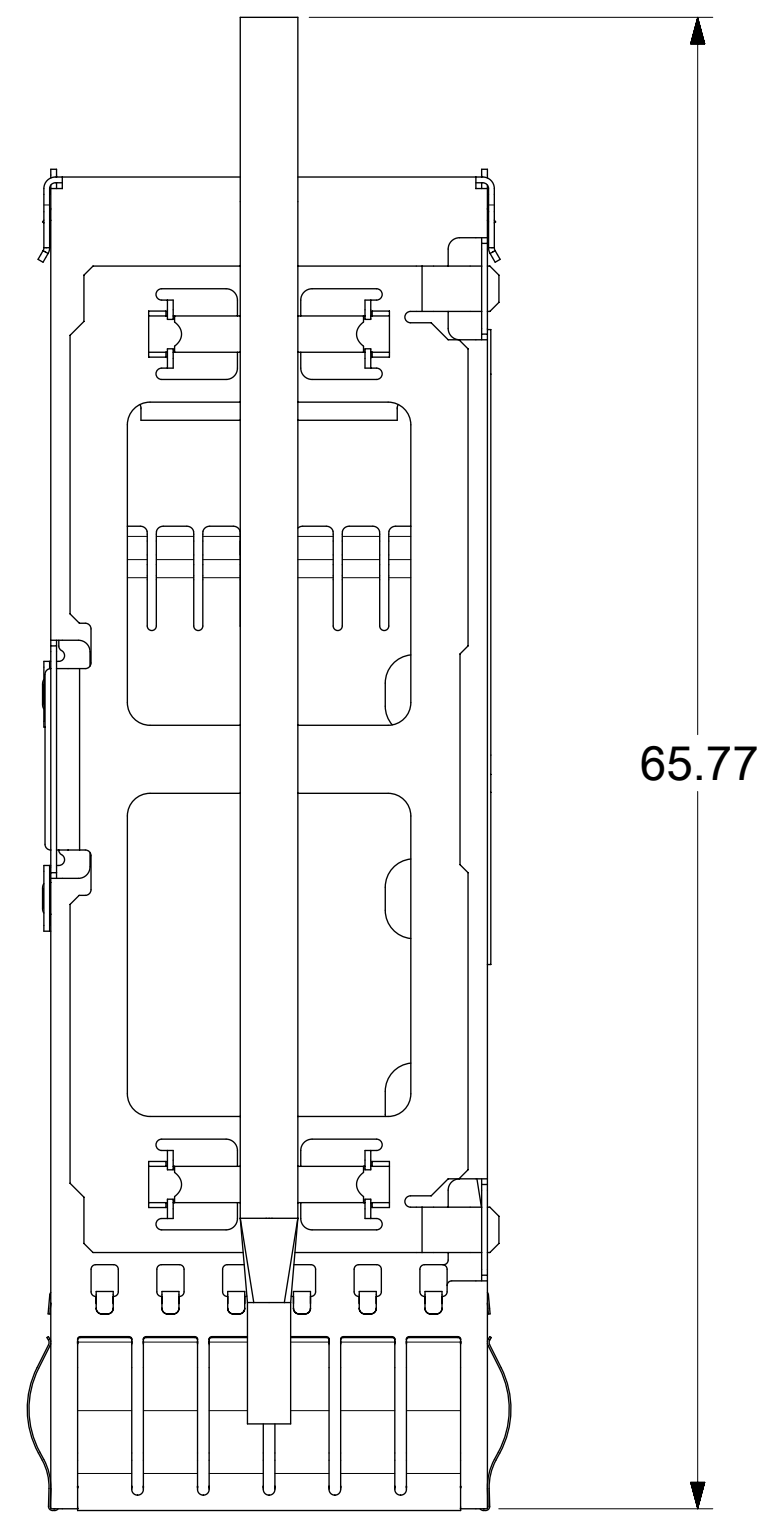
65.77



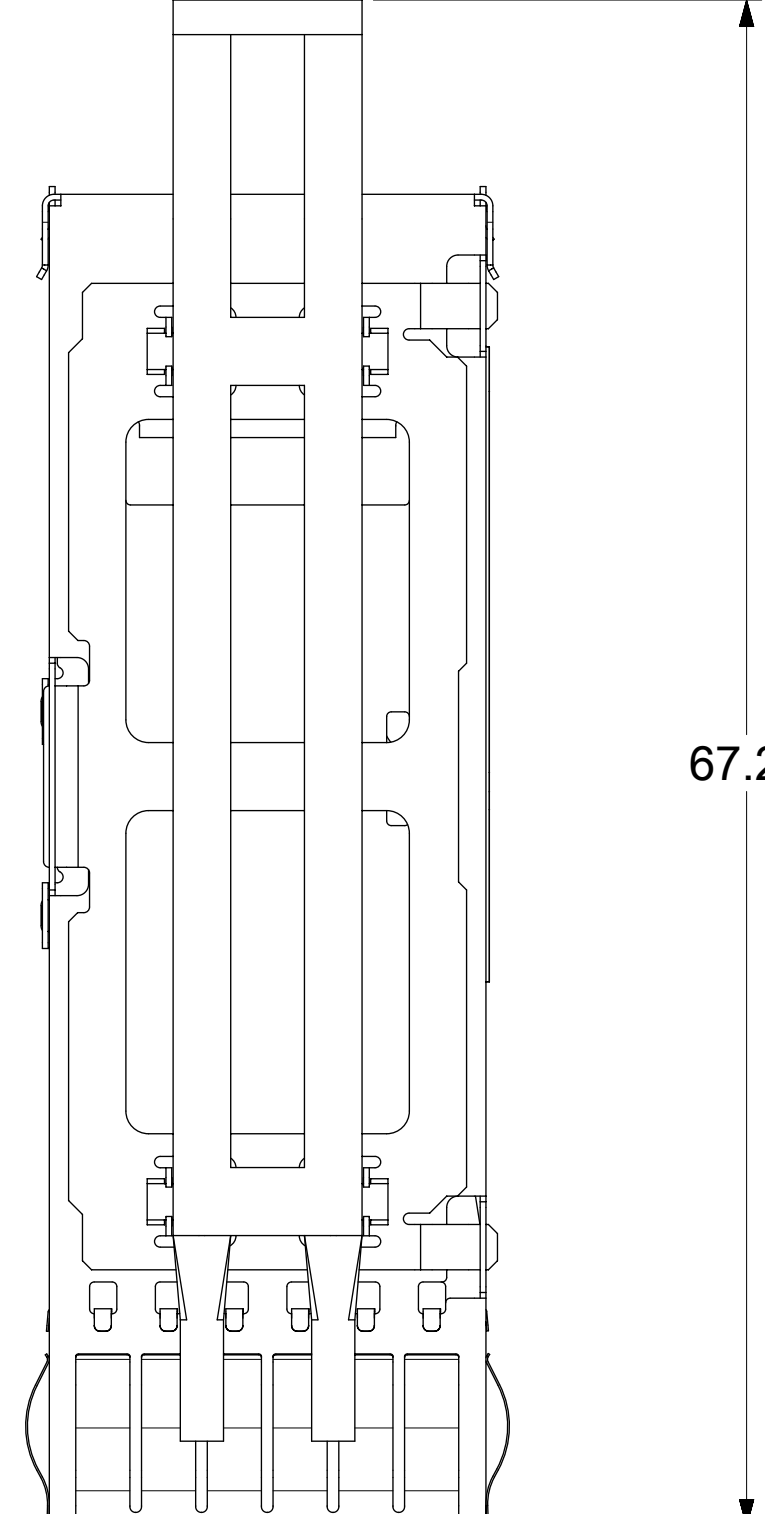
65.77



65.77



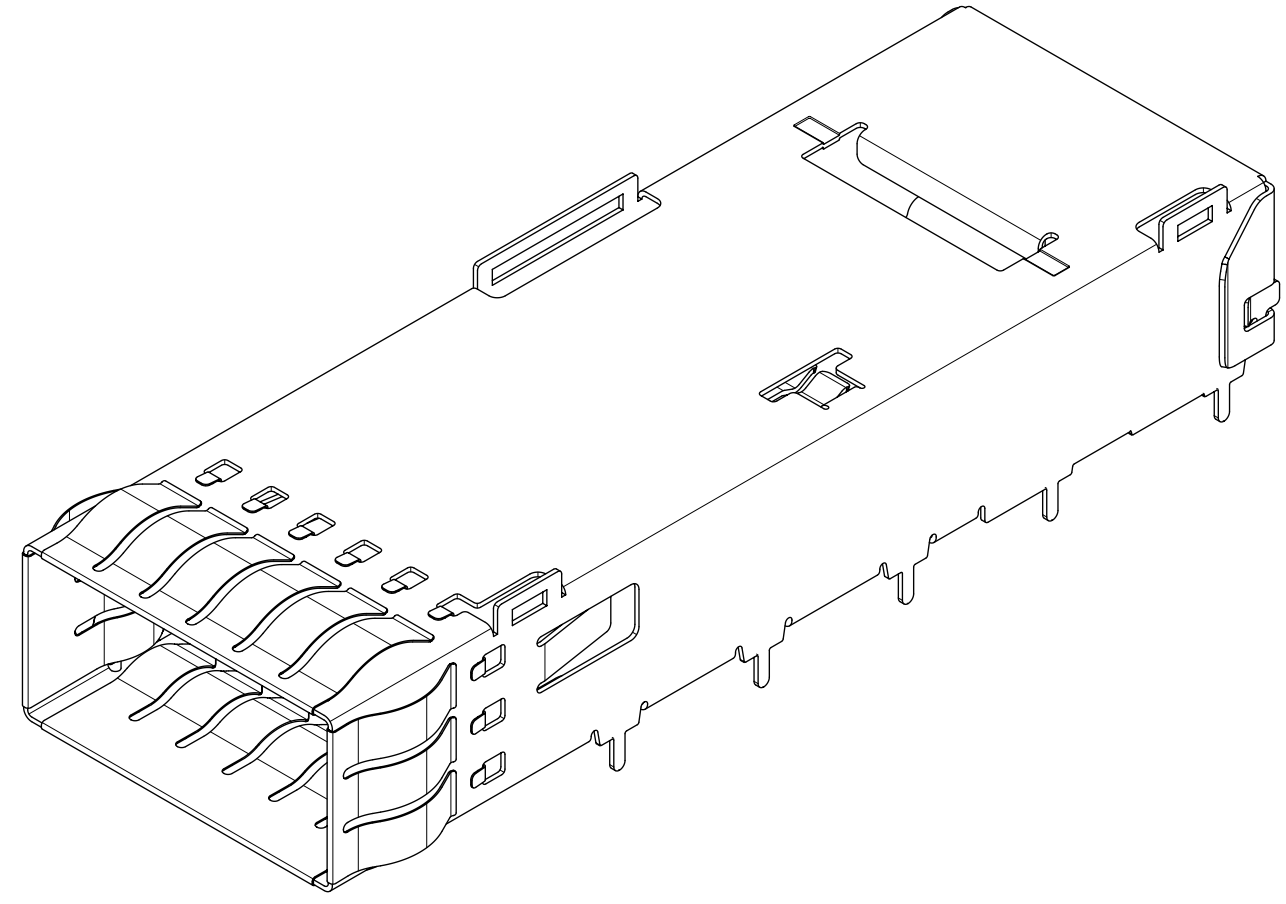
65.77



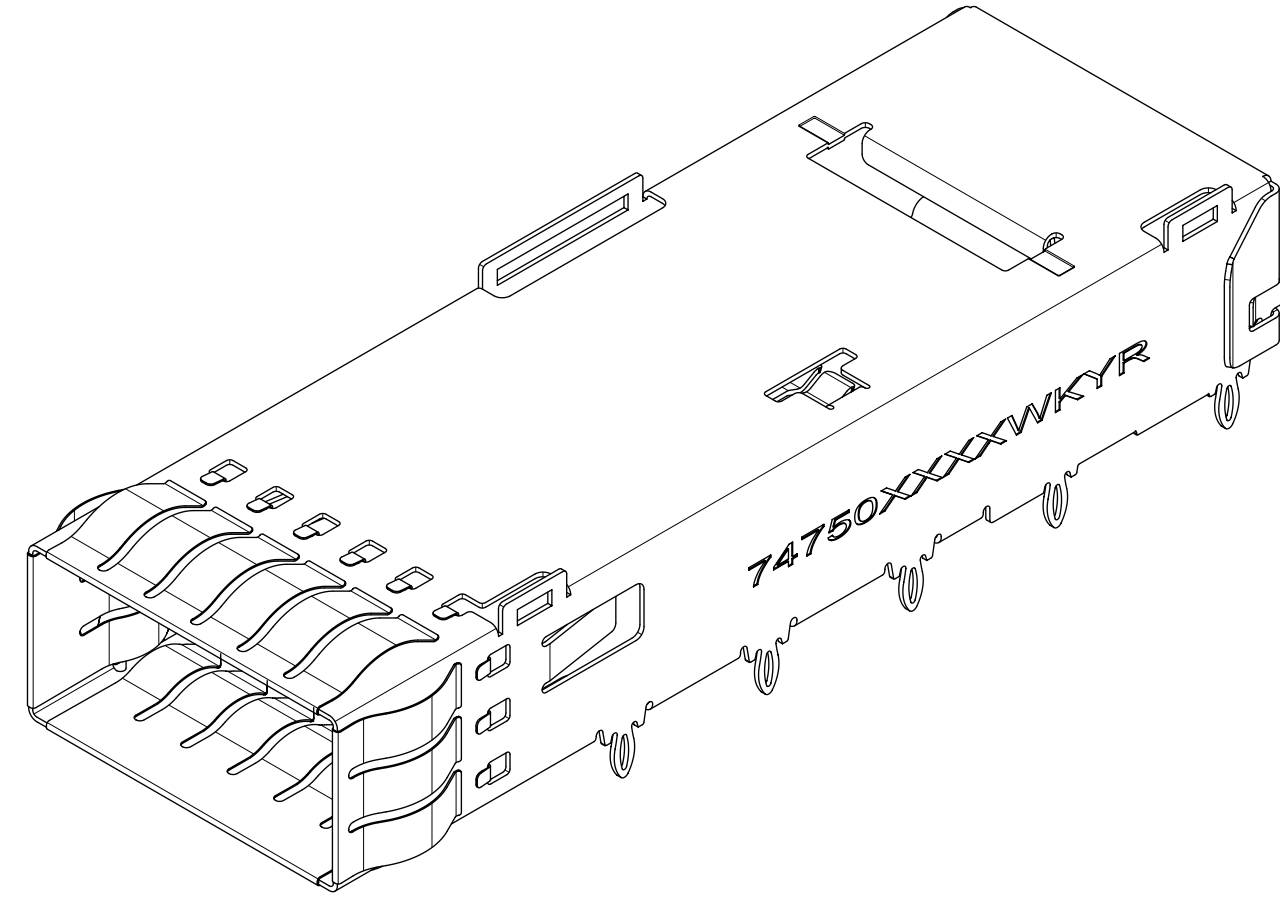
67.29

QUALITY SYMBOLS 		THIS DRAWING CONTAINS INFORMATION THAT IS PROPRIETARY TO MOLEX ELECTRONIC TECHNOLOGIES, LLC AND SHOULD NOT BE USED WITHOUT WRITTEN PERMISSION		DIMENSION UNITS mm		SCALE DRWN BY: SJKG DATE: 2016/06/23			
SEE REVISION TABLE EC NO: 122627 DRWN: MKEMPEGOWDA CHKD: ELIU08 REV APPR: RCHEN08		GENERAL TOLERANCES (UNLESS SPECIFIED) ANGULAR TOL ± 1.0 ° 4 PLACES ± 3 PLACES ± 2 PLACES ± 0.13 1 PLACE ± 0.25 0 PLACES ± DRAFT WHERE APPLICABLE MUST REMAIN WITHIN DIMENSIONS		DRWN BY: SJKG DATE: 2016/06/23 CHKD BY: DSUN15 DATE: 2017/06/02 APPR BY: RCHEN08 DATE: 2017/06/05		PRODUCT CUSTOMER DRAWING SERIES: 74750 MATERIAL NUMBER: SEE SHEET 5, 6 & 7 CUSTOMER: GENERAL MARKET			
RELEASE STATUS: P1 RELEASE DATE: 28.09.2017 09:26:03		DRAWING SIZE: D THIRD ANGLE PROJECTION:		DOCUMENT NUMBER: 747500021 DOC TYPE: PSD DOC PART: ASY SHEET NUMBER: 4 OF 12					

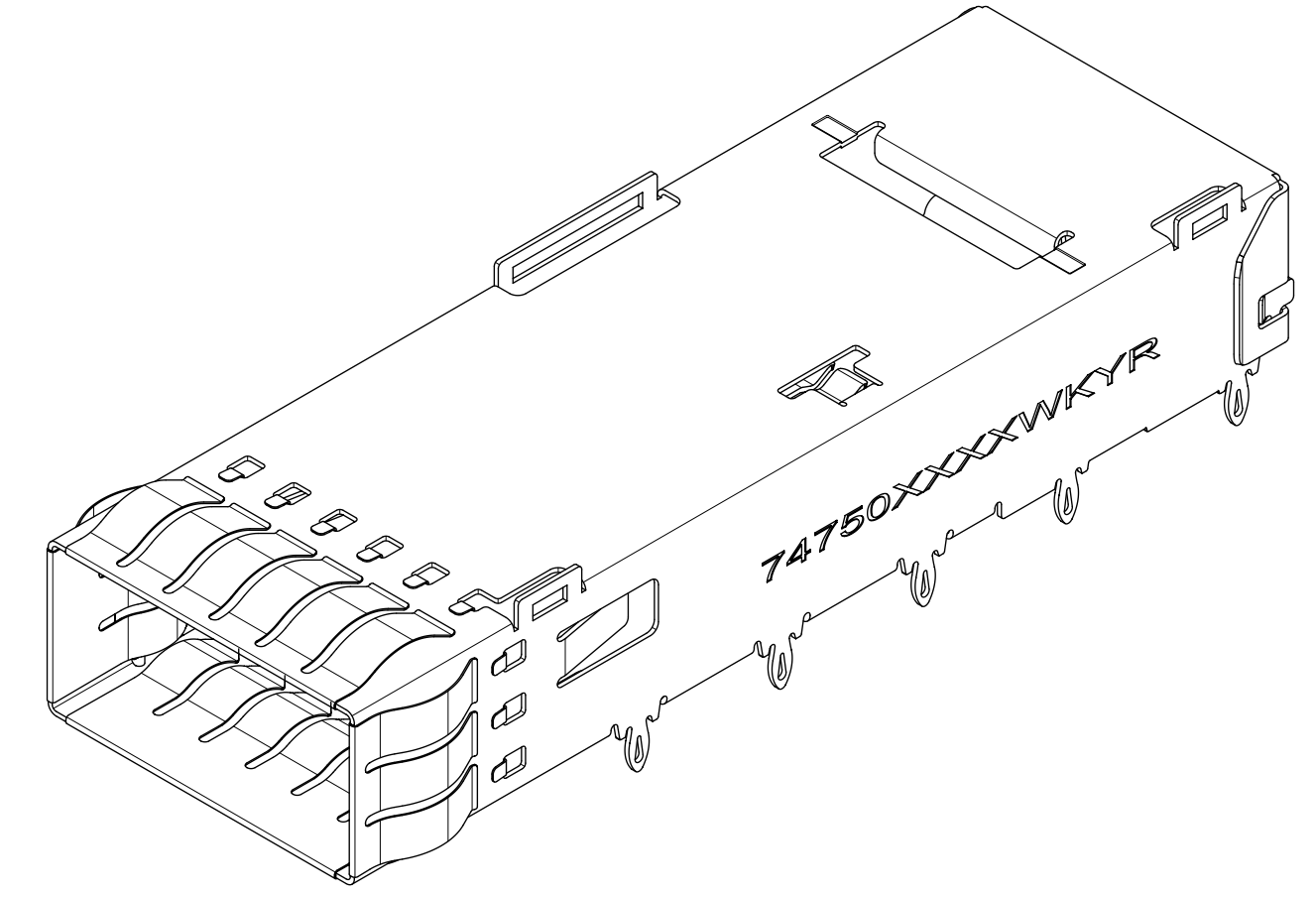
PART NUMBER SELECTION



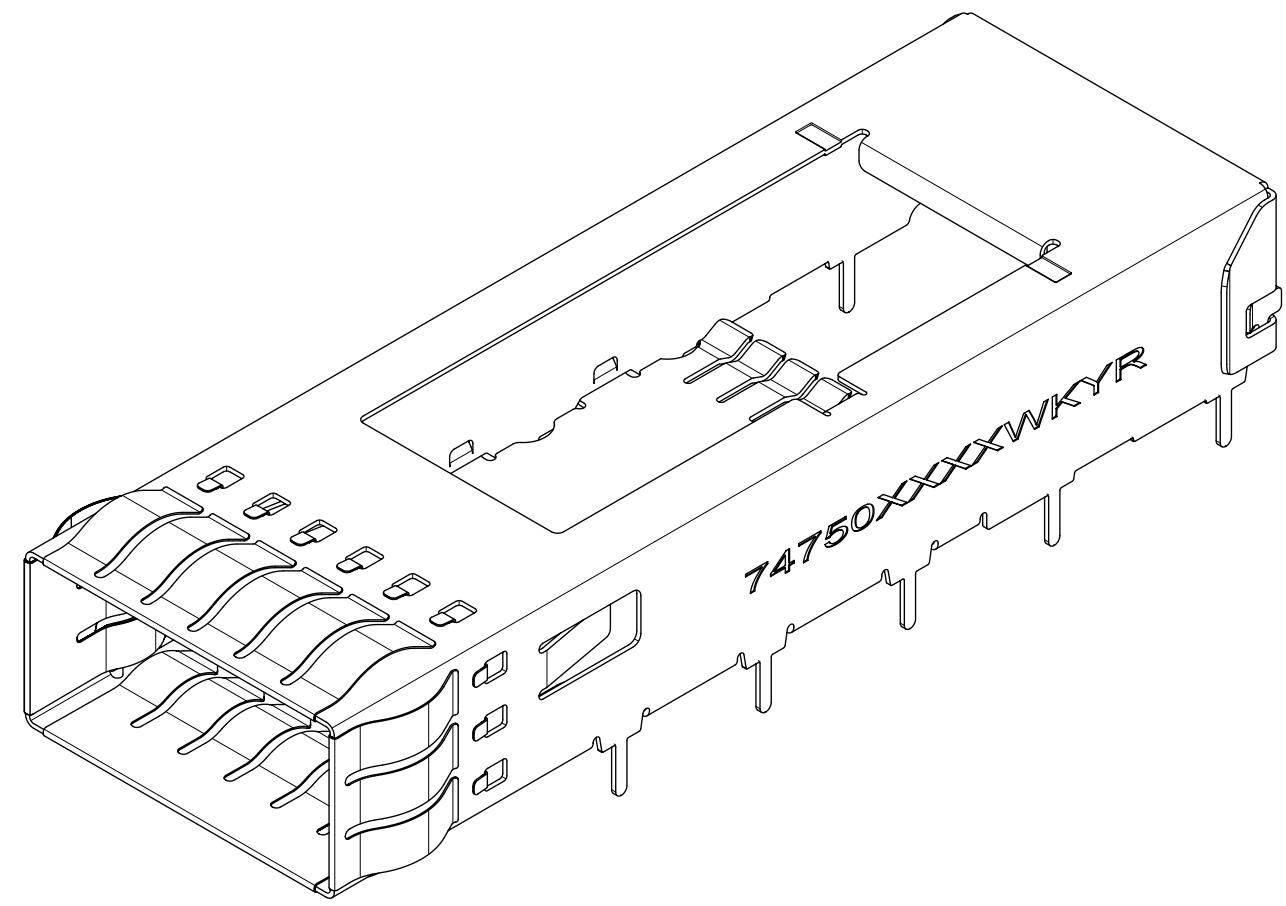
MOLEX P/N	# OF REAR LEGS PER PORT	LEG TYPE	DIM "A"	PLATING
747500051	2	SOLDER POST	1.90	NICKEL
747500053	2	SOLDER POST	1.90	MATTE TIN
747500056	2	SOLDER POST	1.90	BRIGHT TIN



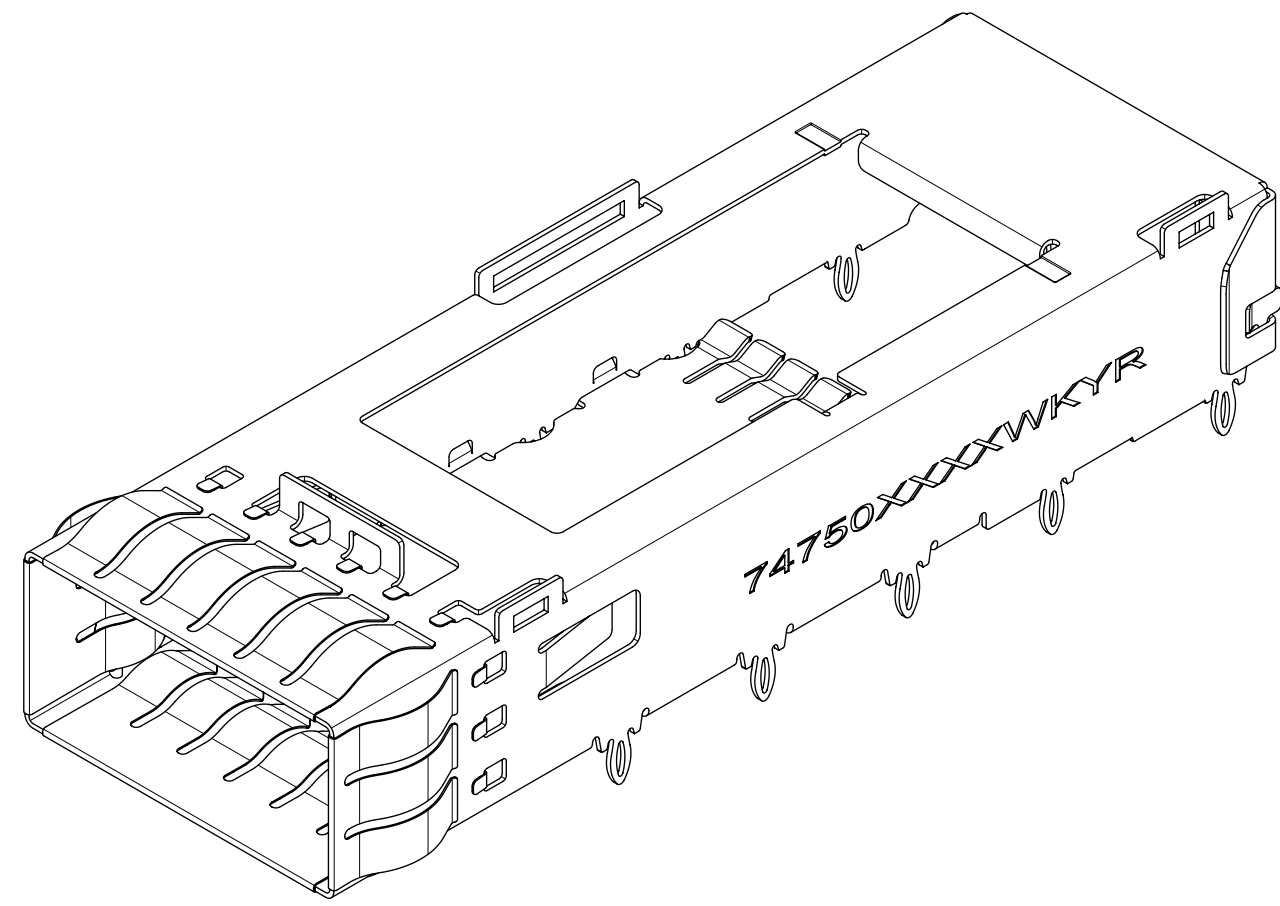
MOLEX P/N	# OF REAR LEGS PER PORT	LEG TYPE	DIM "A"	PLATING
747500024	2	PRESS FIT-EON	2.28	NICKEL



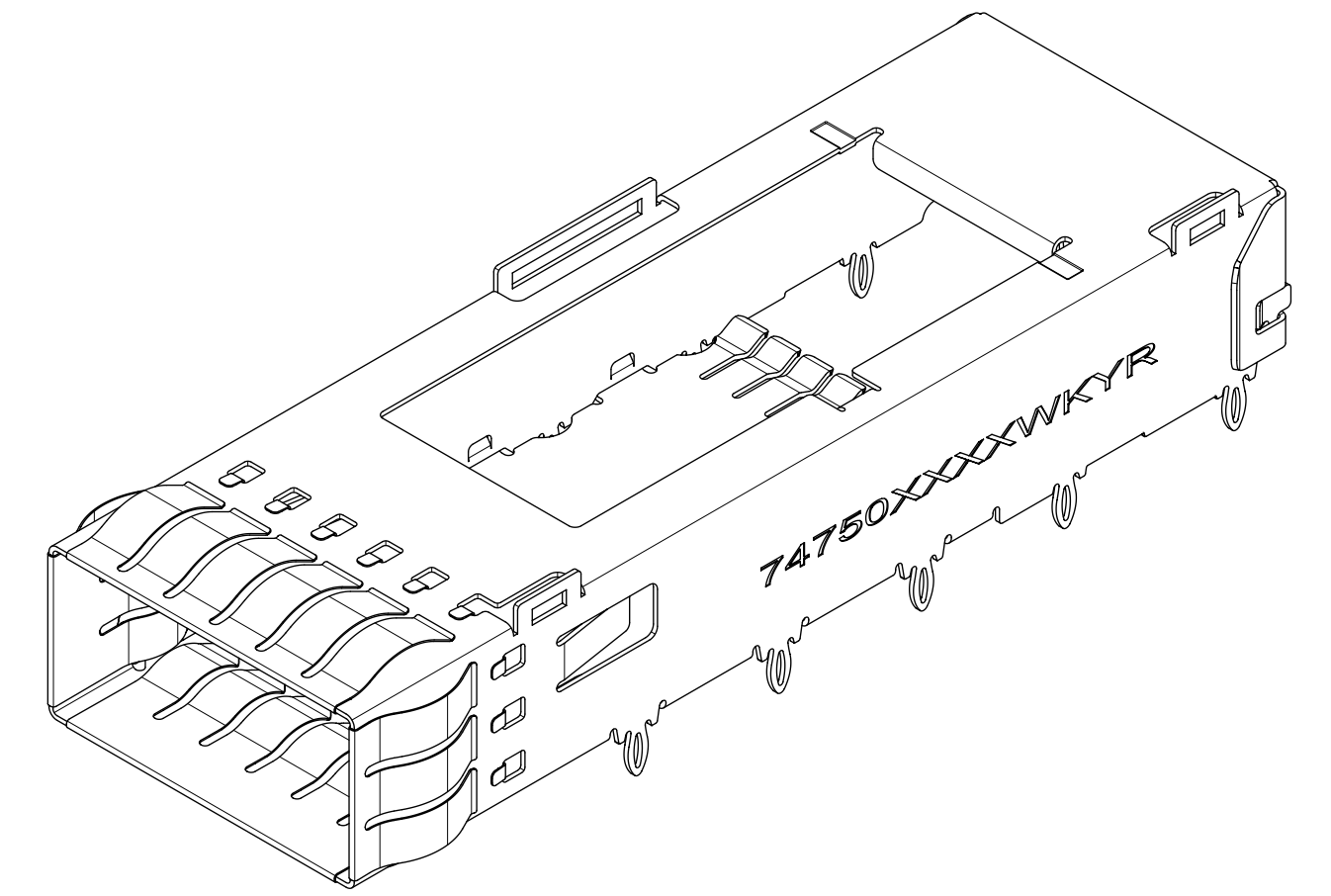
MOLEX P/N	# OF REAR LEGS PER PORT	LEG TYPE	DIM "A"	PLATING
747501102	2	PRESS FIT-TD	2.28	NICKEL
747501103	0	PRESS FIT-TD	2.28	NICKEL



MOLEX P/N	# OF REAR LEGS PER PORT	LEG TYPE	DIM "A"	PLATING
747500062	2	SOLDER POST	2.90	NICKEL
747500058	2	SOLDER POST	2.28	NICKEL



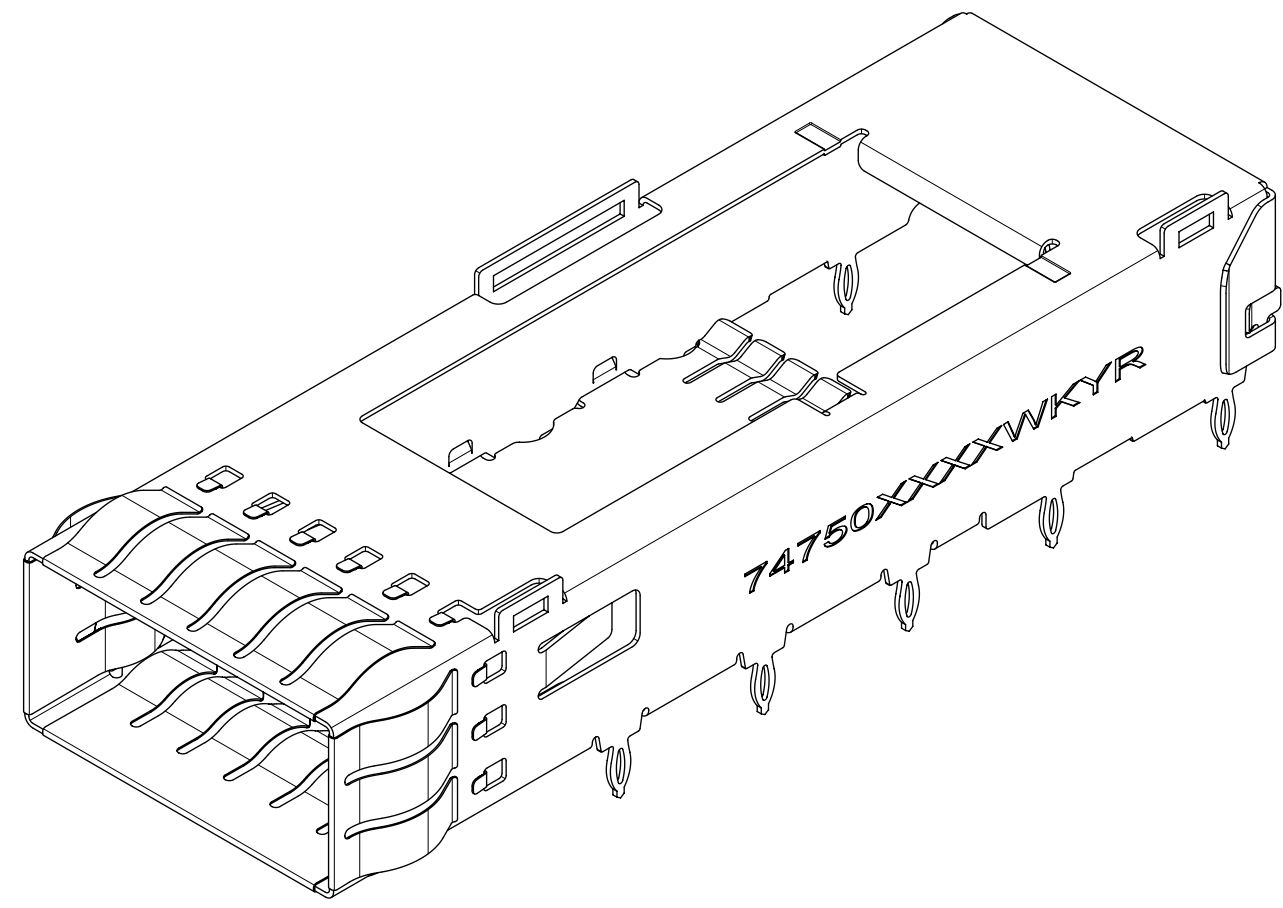
MOLEX P/N	# OF REAR LEGS PER PORT	LEG TYPE	DIM "A"	PLATING
747500092	2	PRESS FIT-EON	2.28	NICKEL
747500093	0	PRESS FIT-EON	2.28	NICKEL



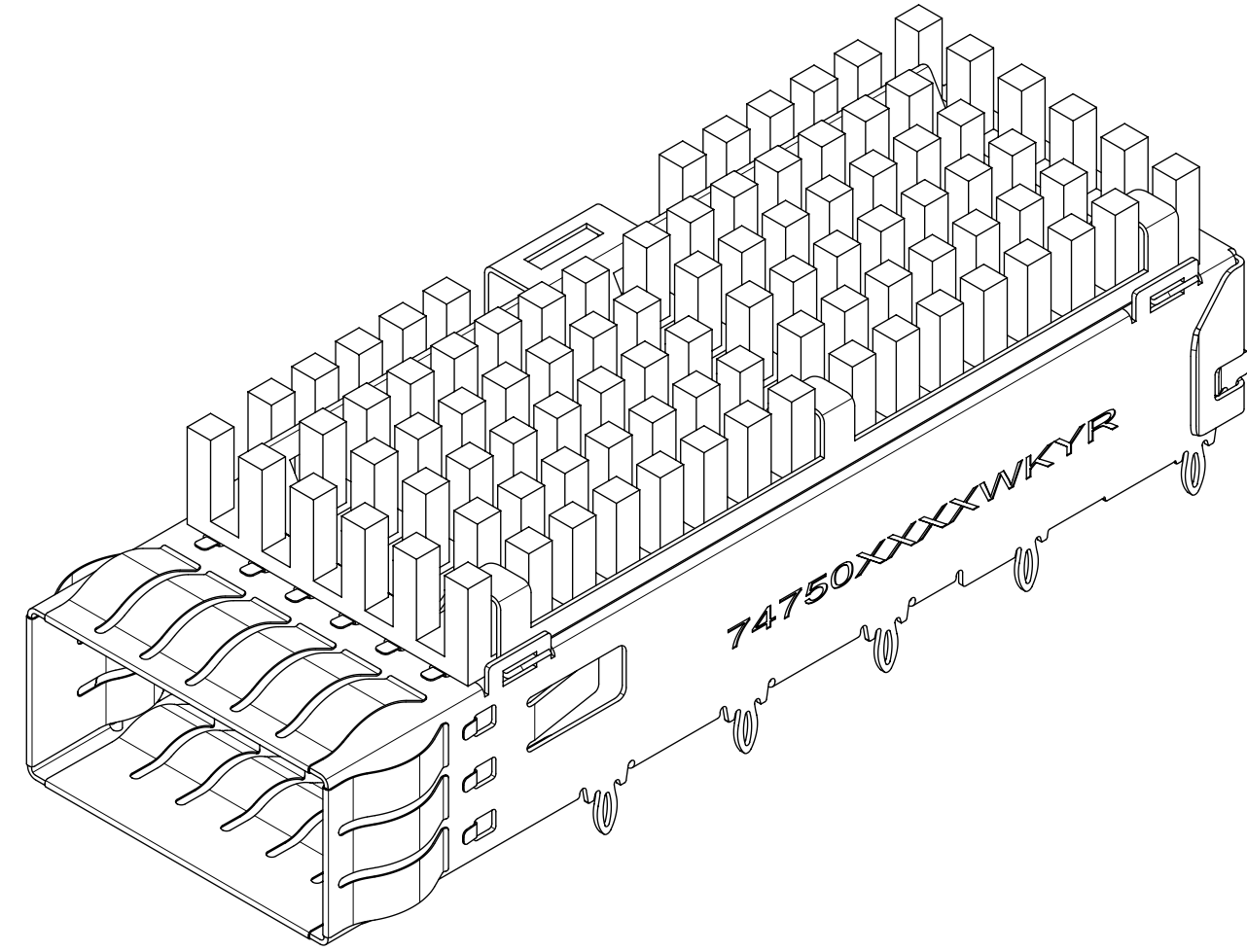
MOLEX P/N	# OF REAR LEGS PER PORT	LEG TYPE	DIM "A"	PLATING
747500021	2	PRESS FIT-EON	2.28	NICKEL
747500023	0	PRESS FIT-EON	2.28	NICKEL
747501100	2	PRESS FIT-TD	2.28	NICKEL
747501101	0	PRESS FIT-TD	2.28	NICKEL

QUALITY SYMBOLS □ = 0 ▽ = 0 ▽ = 0 ▽ = 0 ▽ = 0 ▽ = 0 ▽ = 0 ▽ = 0 ▽ = 0 ▽ = 0 ▽ = 0	THIS DRAWING CONTAINS INFORMATION THAT IS PROPRIETARY TO MOLEX ELECTRONIC TECHNOLOGIES, LLC AND SHOULD NOT BE USED WITHOUT WRITTEN PERMISSION													
	SEE REVISION TABLE EC NO: 122627 DRWN: MKEMPEGOWDA CHKD: ELIU08 REV APPR: RCHEN08	2017/09/27	2017/09/28	2017/09/28	GENERAL TOLERANCES (UNLESS SPECIFIED)		DIMENSION UNITS	SCALE						
		ANGULAR TOL ± 1.0 °		4 PLACES ±	3 PLACES ±	2 PLACES ± 0.13	1 PLACE ± 0.25	0 PLACES ±				mm		
		DRAFT WHERE APPLICABLE MUST REMAIN WITHIN DIMENSIONS		DRAFT WHERE APPLICABLE MUST REMAIN WITHIN DIMENSIONS		DRWN BY		DATE				SJKG		2016/06/23
		DRAFT WHERE APPLICABLE MUST REMAIN WITHIN DIMENSIONS		DRAFT WHERE APPLICABLE MUST REMAIN WITHIN DIMENSIONS		CHKD BY		DATE				DSUN15		2017/06/02
		DRAFT WHERE APPLICABLE MUST REMAIN WITHIN DIMENSIONS		DRAFT WHERE APPLICABLE MUST REMAIN WITHIN DIMENSIONS		APPR BY		DATE				RCHEN08		2017/06/05
	DRAFT WHERE APPLICABLE MUST REMAIN WITHIN DIMENSIONS		DRAFT WHERE APPLICABLE MUST REMAIN WITHIN DIMENSIONS		DRAWING SIZE		THIRD ANGLE PROJECTION		SERIES		MATERIAL NUMBER	CUSTOMER		
	DRAFT WHERE APPLICABLE MUST REMAIN WITHIN DIMENSIONS		DRAFT WHERE APPLICABLE MUST REMAIN WITHIN DIMENSIONS		D				74750		SEE SHEET 5, 6 & 7	GENERAL MARKET		
	DRAFT WHERE APPLICABLE MUST REMAIN WITHIN DIMENSIONS		DRAFT WHERE APPLICABLE MUST REMAIN WITHIN DIMENSIONS		DOCUMENT NUMBER		DOC TYPE		DOC PART		SHEET NUMBER			
	DRAFT WHERE APPLICABLE MUST REMAIN WITHIN DIMENSIONS		DRAFT WHERE APPLICABLE MUST REMAIN WITHIN DIMENSIONS		N		PSD		ASY		5 OF 12			

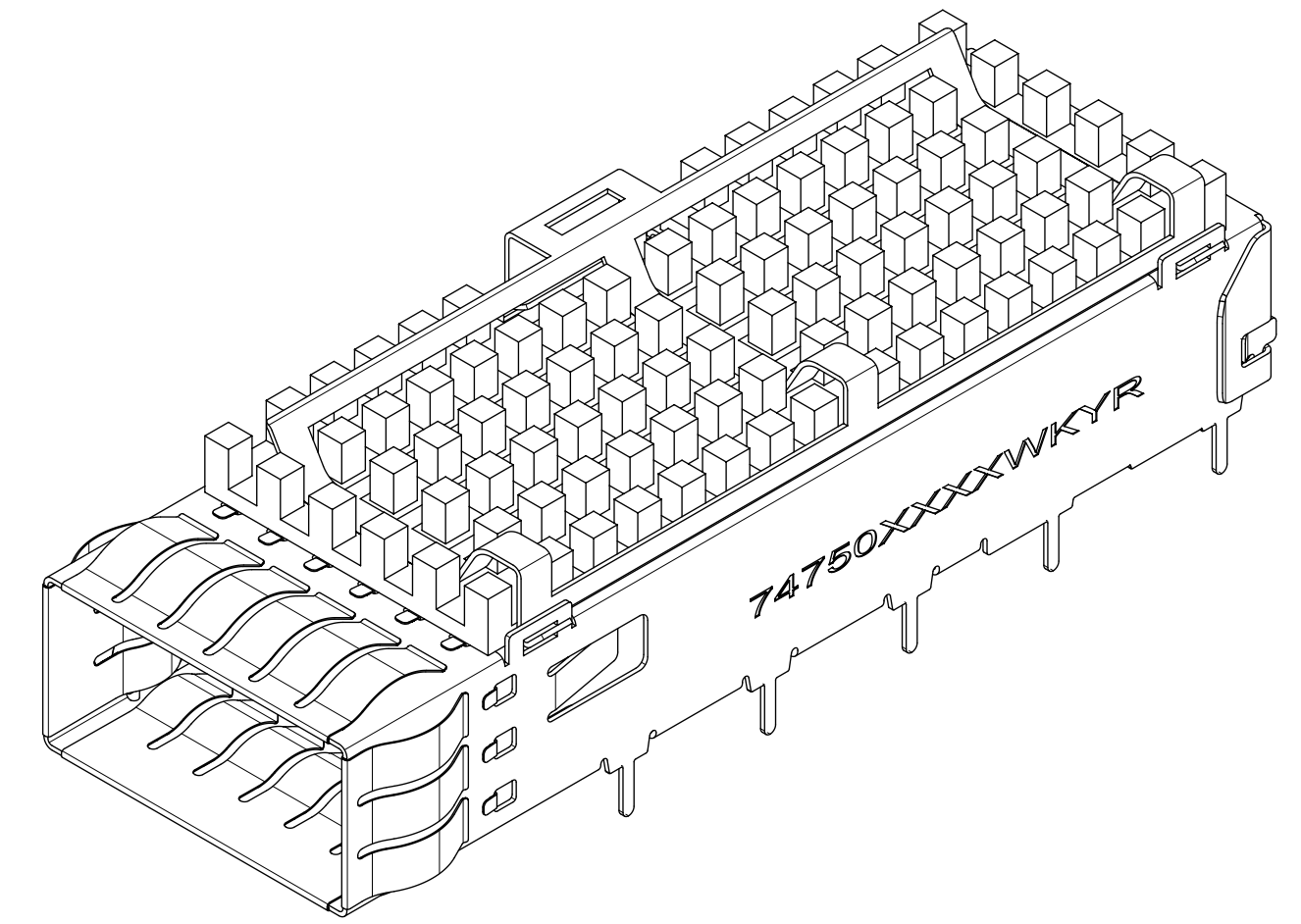
PART NUMBER SELECTION (CONT)



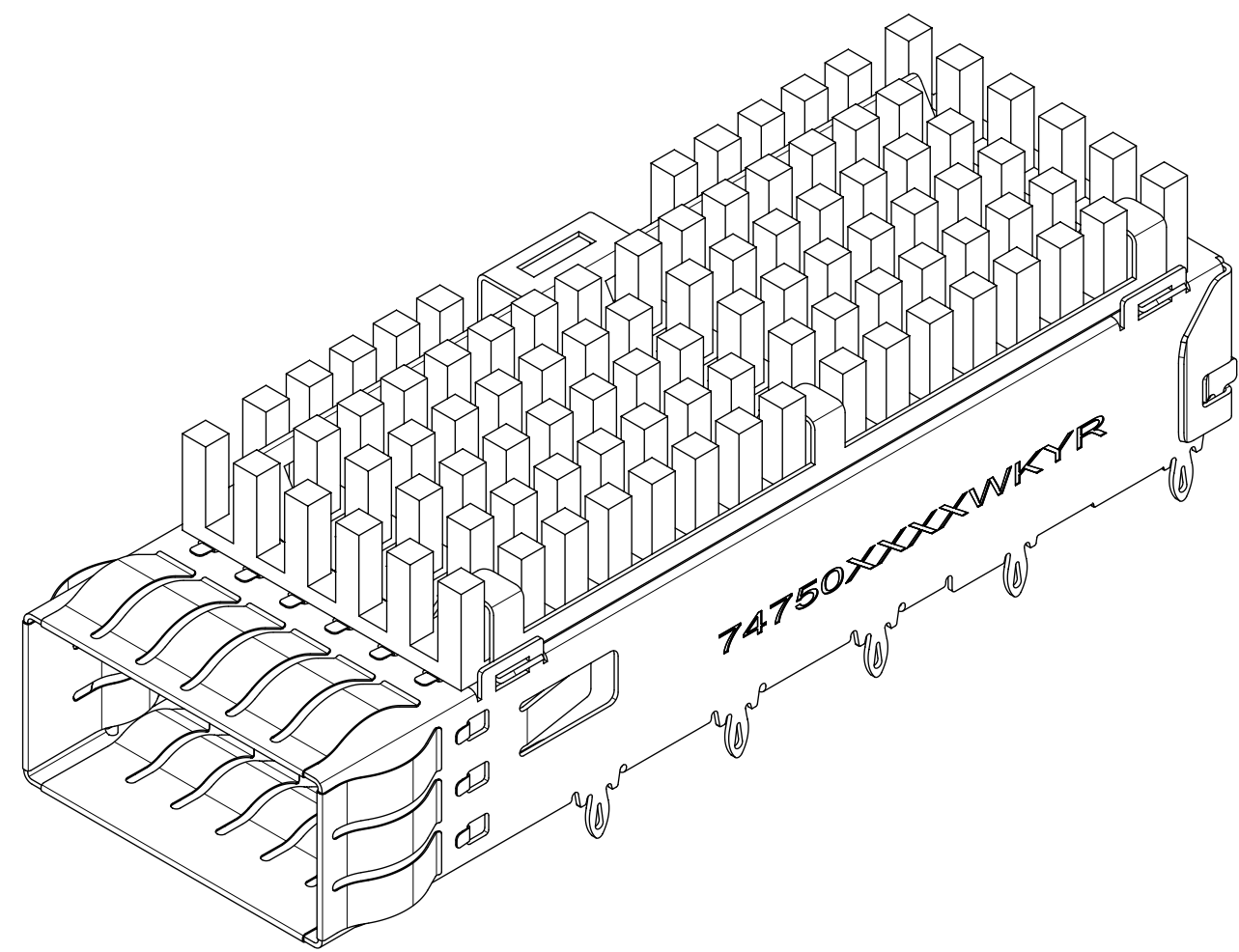
MOLEX P/N	# OF REAR LEGS PER PORT	LEG TYPE	DIM "A"	PLATING
747500012	2	PRESS FIT-EON	3.05	NICKEL



MOLEX P/N	HS	# OF REAR LEGS PER PORT	LEG TYPE	DIM "A"	PLATING
747500040	SAN	2	PRESS FIT-EON	2.28	NICKEL
747500042	SAN	0	PRESS FIT-EON	2.28	NICKEL
747500044	PCI	2	PRESS FIT-EON	2.28	NICKEL
747500046	NET	2	PRESS FIT-EON	2.28	NICKEL



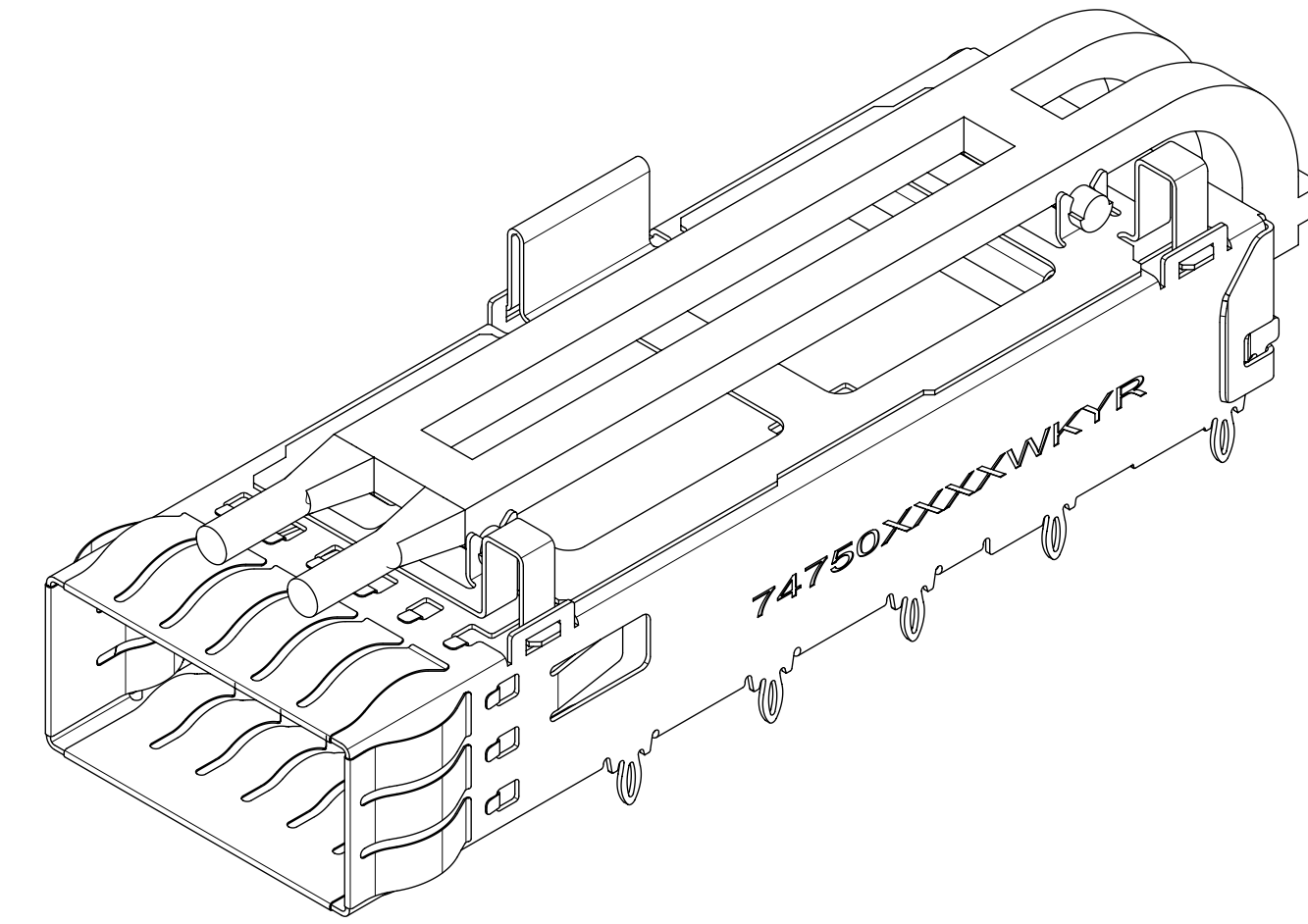
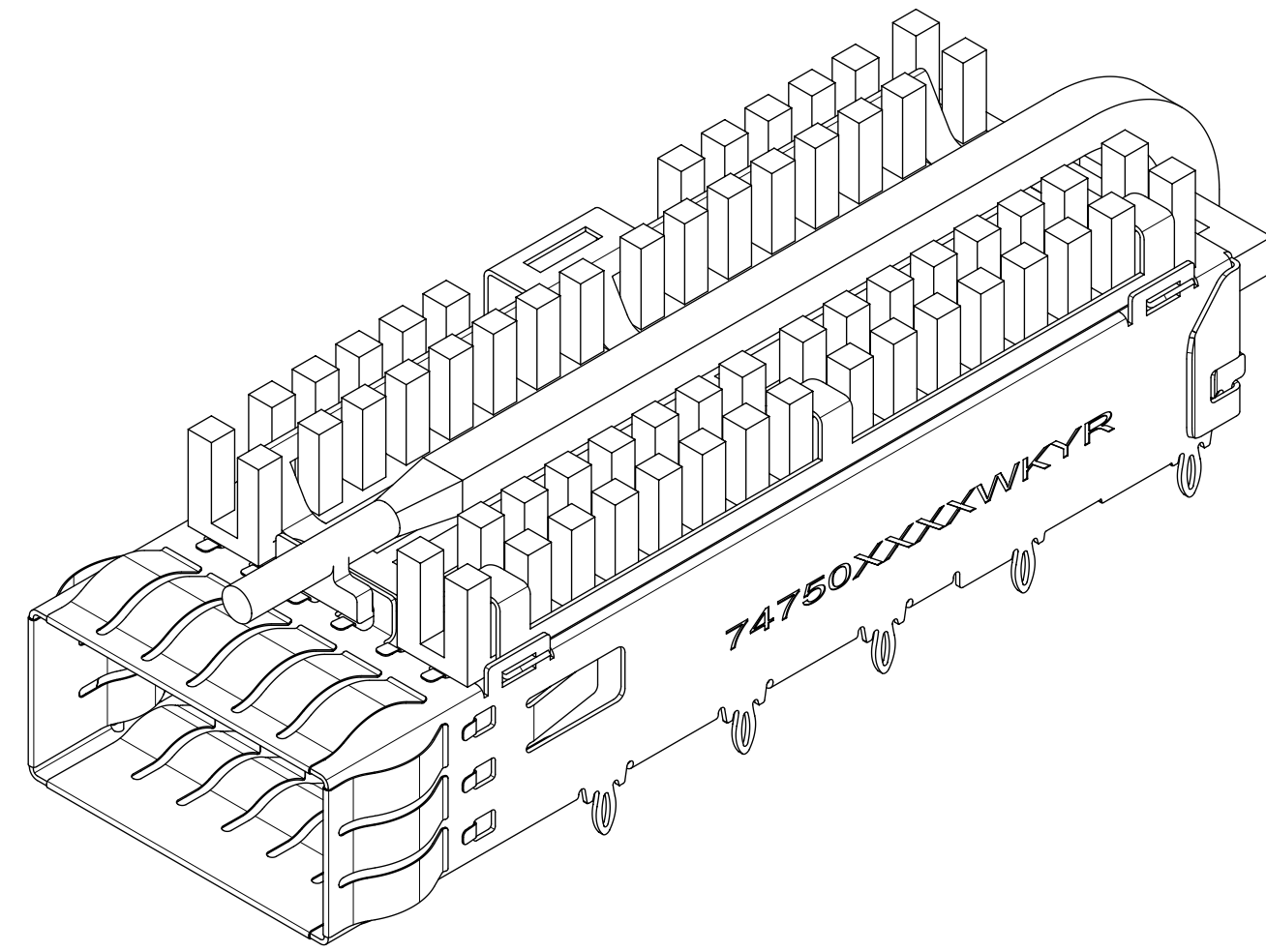
MOLEX P/N	HS	# OF REAR LEGS PER PORT	LEG TYPE	DIM "A"	PLATING
747500057	PCI	2	SOLDER POST	2.90	NICKEL
747500059	SAN	2	SOLDER POST	2.90	NICKEL
747500063	NET	2	SOLDER POST	2.90	NICKEL



MOLEX P/N	MOLEX CAGE W/O HS ASSEMBLY P/N	HS	# OF REAR LEGS PER PORT	LEG TYPE	DIM "A"	PLATING
747501140	747501100	SAN	2	PRESS FIT-TD	2.28	NICKEL
747501141	747501101	SAN	0	PRESS FIT-TD	2.28	NICKEL
747501142	747501100	PCI	2	PRESS FIT-TD	2.28	NICKEL
747501143	747501100	NET	2	PRESS FIT-TD	2.28	NICKEL

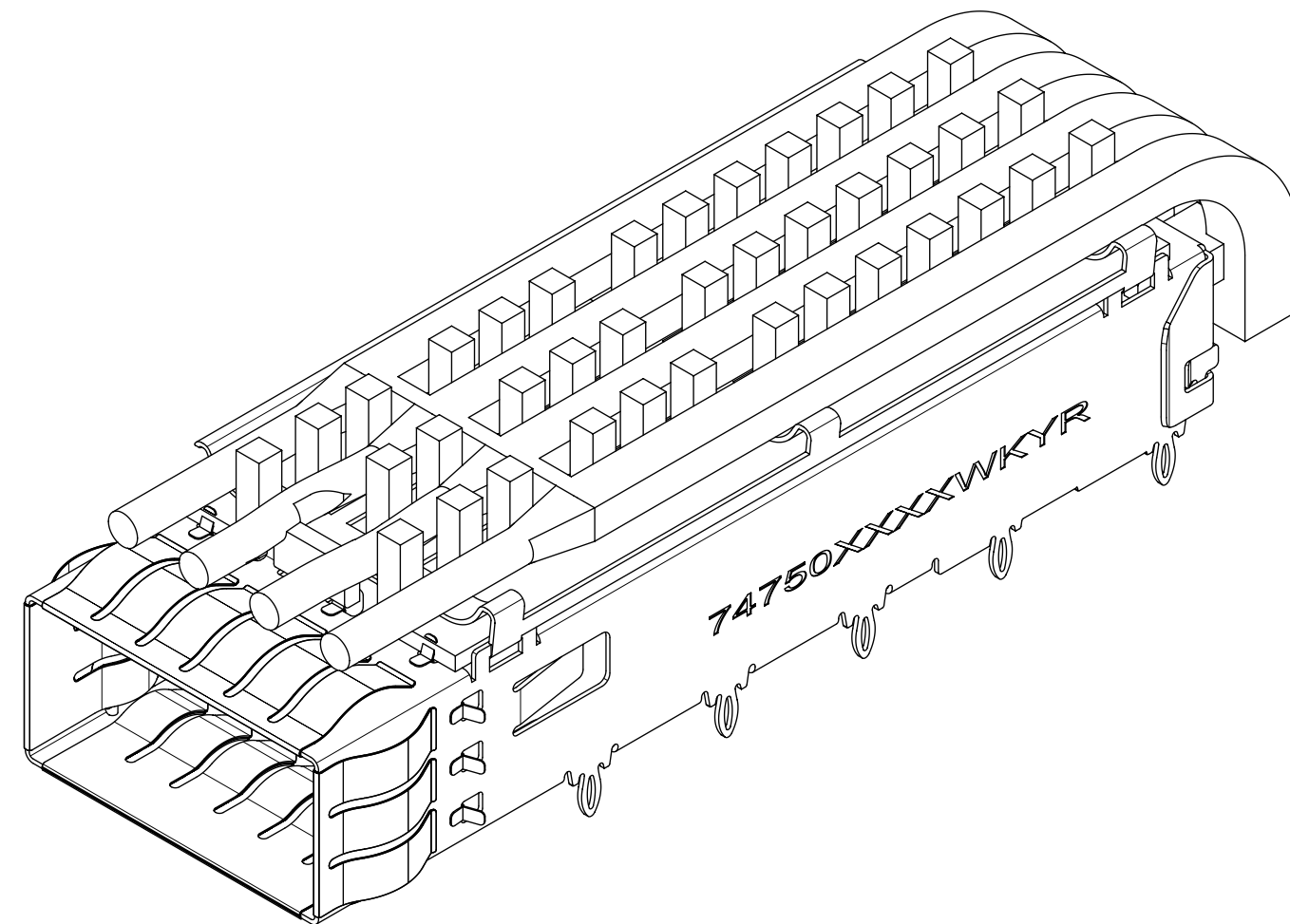
QUALITY SYMBOLS □ = 0 ▽ = 0 ▽ = 0 ▽ = 0 ▽ = 0 ▽ = 0 ▽ = 0 ▽ = 0 ▽ = 0 ▽ = 0 ▽ = 0	THIS DRAWING CONTAINS INFORMATION THAT IS PROPRIETARY TO MOLEX ELECTRONIC TECHNOLOGIES, LLC AND SHOULD NOT BE USED WITHOUT WRITTEN PERMISSION										
	SEE REVISION TABLE EC NO: 122627 DRWN: MKEMPEGOWDA CHKD: ELIU08 REV APPR: RCHEN08	2017/09/27	2017/09/28	2017/09/28	GENERAL TOLERANCES (UNLESS SPECIFIED)		DIMENSION UNITS	SCALE	 QSFP+ 1X1 CAGE ASSEMBLY WITH SPRING FINGER TYPE PRODUCT CUSTOMER DRAWING SERIES: 74750 MATERIAL NUMBER: SEE SHEET 5, 6 & 7 CUSTOMER: GENERAL MARKET DOCUMENT NUMBER: 747500021 DOC TYPE: PSD DOC PART: ASY SHEET NUMBER: 6 OF 12		
		ANGULAR TOL ± 1.0 °		mm							
		4 PLACES ±	SJKG	2016/06/23							
		3 PLACES ±	CHKD BY	DATE							
		2 PLACES ± 0.13	DSUN15	2017/06/02							
	1 PLACE ± 0.25	APPR BY	DATE								
	0 PLACES ±	RCHEN08	2017/06/05								
	DRAFT WHERE APPLICABLE MUST REMAIN WITHIN DIMENSIONS		DRAWING SIZE	THIRD ANGLE PROJECTION	D						

PART NUMBER SELECTION (CONT)



MOLEX P/N	MOLEX CAGE W/O HS ASSEMBLY P/N	LP SINGLE(747500403) DUAL(747500404)	TIP STYLE	HS	# OF REAR LEGS PER PORT	LEG TYPE	DIM "A"	DIM "B"	PLATING
747500080	747500092	SINGLE	ROUND	SAN	2	PRESS FIT-EON	2.28	60.25	NICKEL
747500081	747500092	SINGLE	ROUND	NET	2	PRESS FIT-EON	2.28	60.25	NICKEL
747500082	747500092	DUAL	ROUND	SAN	2	PRESS FIT-EON	2.28	60.25	NICKEL
747500083	747500092	DUAL	ROUND	NET	2	PRESS FIT-EON	2.28	60.25	NICKEL
747500084	747500093	SINGLE	ROUND	SAN	0	PRESS FIT-EON	2.28	60.25	NICKEL
747500085	747500093	SINGLE	ROUND	NET	0	PRESS FIT-EON	2.28	60.25	NICKEL
747500086	747500093	DUAL	ROUND	SAN	0	PRESS FIT-EON	2.28	60.25	NICKEL
747500087	747500093	DUAL	ROUND	NET	0	PRESS FIT-EON	2.28	60.25	NICKEL
747500088	N/A	DUAL	ROUND	NET	2	PRESS FIT-TD	2.28	60.25	NICKEL

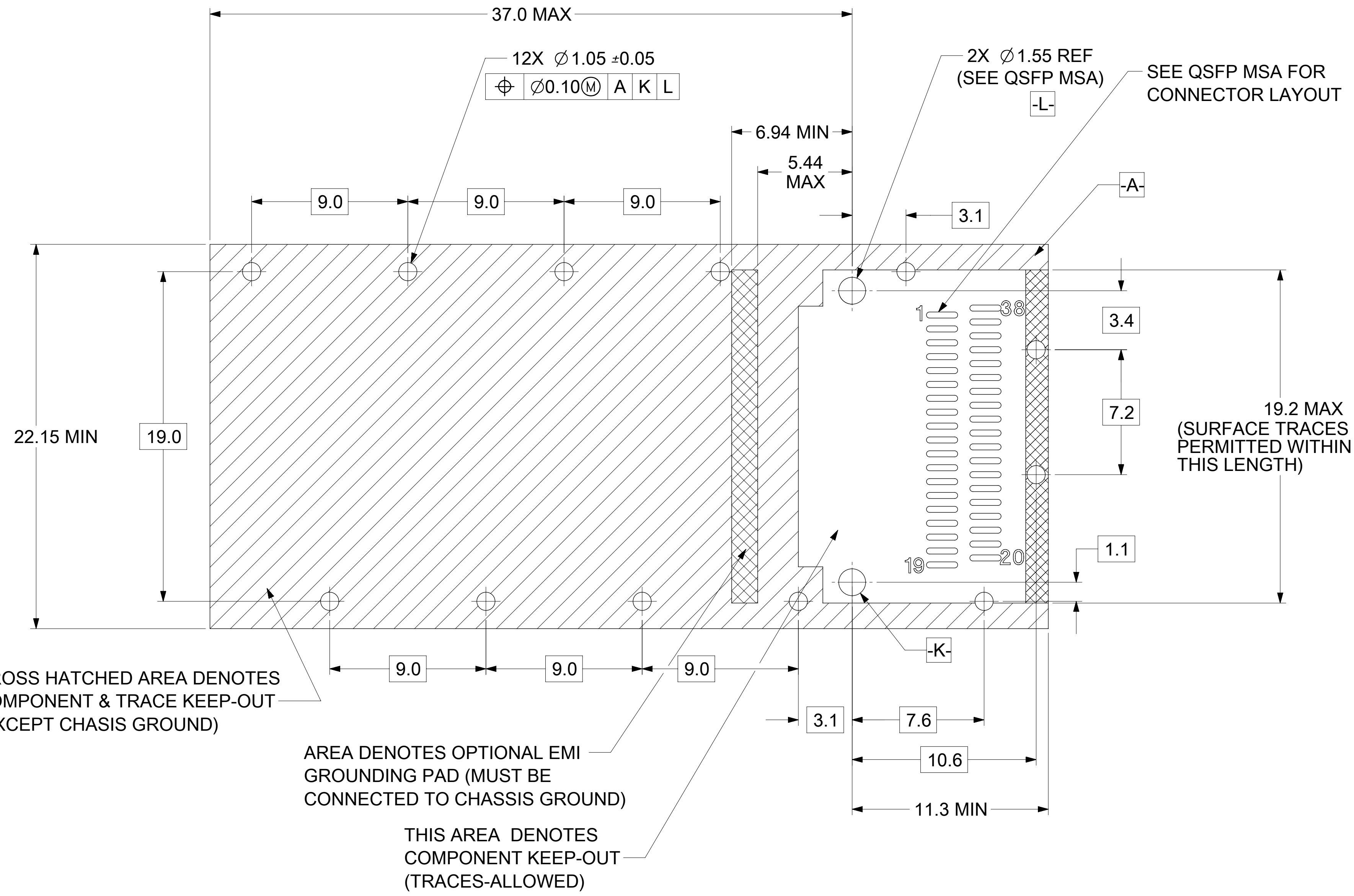
MOLEX P/N	MOLEX CAGE W/O HS ASSEMBLY P/N	LIGHT PIPE ASSEMBLY P/N	TIP STYLE	# OF REAR LEGS PER PORT	LEG TYPE	DIM "A"	DIM "B"	PLATING
747501586	747500024	747500031	ROUND	2	PRESS FIT-EON	2.28	60.25	NICKEL



MOLEX P/N	LP	TIP STYLE	HS	# OF REAR LEGS PER PORT	LEG TYPE	DIM "A"	DIM "B"	PLATING
747501580	QUAD	ROUND	PCI	2	PRESS FIT-EON	2.28	60.25	NICKEL
747501581	QUAD	ROUND	SAN	2	PRESS FIT-EON	2.28	60.25	NICKEL
747501582	QUAD	ROUND	NET	2	PRESS FIT-EON	2.28	60.25	NICKEL
747501583	QUAD	ROUND	PCI	0	PRESS FIT-EON	2.28	60.25	NICKEL
747501584	QUAD	ROUND	SAN	0	PRESS FIT-EON	2.28	60.25	NICKEL
747501585	QUAD	ROUND	NET	0	PRESS FIT-EON	2.28	60.25	NICKEL

THIS DRAWING CONTAINS INFORMATION THAT IS PROPRIETARY TO MOLEX ELECTRONIC TECHNOLOGIES, LLC AND SHOULD NOT BE USED WITHOUT WRITTEN PERMISSION														
QUALITY SYMBOLS □ = 0 ▽ = 0 ▽ = 0 ▽ = 0 ▽ = 0 ▽ = 0 ▽ = 0 ▽ = 0 ▽ = 0 ▽ = 0	EC NO: 122627 DRWN: MKEMPEGOWDA CHKD: ELIU08 REV APPR: RCHEN08		2017/09/27 2017/09/28 2017/09/28		GENERAL TOLERANCES (UNLESS SPECIFIED) ANGULAR TOL ± 1.0 ° 4 PLACES ± 3 PLACES ± 2 PLACES ± 0.13 1 PLACE ± 0.25 0 PLACES ± DRAFT WHERE APPLICABLE MUST REMAIN WITHIN DIMENSIONS		DIMENSION UNITS: mm SCALE: DRWN BY: SJKG DATE: 2016/06/23 CHKD BY: DSUN15 DATE: 2017/06/02 APPR BY: RCHEN08 DATE: 2017/06/05							
	SEE REVISION TABLE		DIMENSION UNITS: mm SCALE: DRWN BY: SJKG DATE: 2016/06/23 CHKD BY: DSUN15 DATE: 2017/06/02 APPR BY: RCHEN08 DATE: 2017/06/05		DIMENSION UNITS: mm SCALE: DRWN BY: SJKG DATE: 2016/06/23 CHKD BY: DSUN15 DATE: 2017/06/02 APPR BY: RCHEN08 DATE: 2017/06/05		PRODUCT CUSTOMER DRAWING							
	DRAFT WHERE APPLICABLE MUST REMAIN WITHIN DIMENSIONS		DIMENSION UNITS: mm SCALE: DRWN BY: SJKG DATE: 2016/06/23 CHKD BY: DSUN15 DATE: 2017/06/02 APPR BY: RCHEN08 DATE: 2017/06/05		DIMENSION UNITS: mm SCALE: DRWN BY: SJKG DATE: 2016/06/23 CHKD BY: DSUN15 DATE: 2017/06/02 APPR BY: RCHEN08 DATE: 2017/06/05		PRODUCT CUSTOMER DRAWING							
	RELEASE STATUS: P1 RELEASE DATE: 28.09.2017 09:26:03		EC NO: 122627 DRWN: MKEMPEGOWDA CHKD: ELIU08 REV APPR: RCHEN08		2017/09/27 2017/09/28 2017/09/28		GENERAL TOLERANCES (UNLESS SPECIFIED) ANGULAR TOL ± 1.0 ° 4 PLACES ± 3 PLACES ± 2 PLACES ± 0.13 1 PLACE ± 0.25 0 PLACES ± DRAFT WHERE APPLICABLE MUST REMAIN WITHIN DIMENSIONS		DIMENSION UNITS: mm SCALE: DRWN BY: SJKG DATE: 2016/06/23 CHKD BY: DSUN15 DATE: 2017/06/02 APPR BY: RCHEN08 DATE: 2017/06/05		DIMENSION UNITS: mm SCALE: DRWN BY: SJKG DATE: 2016/06/23 CHKD BY: DSUN15 DATE: 2017/06/02 APPR BY: RCHEN08 DATE: 2017/06/05		PRODUCT CUSTOMER DRAWING	
	SERIES: 74750 MATERIAL NUMBER: SEE SHEET 5, 6 & 7 CUSTOMER: GENERAL MARKET		DIMENSION UNITS: mm SCALE: DRWN BY: SJKG DATE: 2016/06/23 CHKD BY: DSUN15 DATE: 2017/06/02 APPR BY: RCHEN08 DATE: 2017/06/05		DIMENSION UNITS: mm SCALE: DRWN BY: SJKG DATE: 2016/06/23 CHKD BY: DSUN15 DATE: 2017/06/02 APPR BY: RCHEN08 DATE: 2017/06/05		DIMENSION UNITS: mm SCALE: DRWN BY: SJKG DATE: 2016/06/23 CHKD BY: DSUN15 DATE: 2017/06/02 APPR BY: RCHEN08 DATE: 2017/06/05		PRODUCT CUSTOMER DRAWING					
	DOCUMENT NUMBER: 747500021 DOC TYPE: PSD DOC PART: ASY SHEET NUMBER: 7 OF 12		EC NO: 122627 DRWN: MKEMPEGOWDA CHKD: ELIU08 REV APPR: RCHEN08		2017/09/27 2017/09/28 2017/09/28		GENERAL TOLERANCES (UNLESS SPECIFIED) ANGULAR TOL ± 1.0 ° 4 PLACES ± 3 PLACES ± 2 PLACES ± 0.13 1 PLACE ± 0.25 0 PLACES ± DRAFT WHERE APPLICABLE MUST REMAIN WITHIN DIMENSIONS		DIMENSION UNITS: mm SCALE: DRWN BY: SJKG DATE: 2016/06/23 CHKD BY: DSUN15 DATE: 2017/06/02 APPR BY: RCHEN08 DATE: 2017/06/05		DIMENSION UNITS: mm SCALE: DRWN BY: SJKG DATE: 2016/06/23 CHKD BY: DSUN15 DATE: 2017/06/02 APPR BY: RCHEN08 DATE: 2017/06/05		PRODUCT CUSTOMER DRAWING	

PCB LAYOUT FOR SINGLE SIDED MOUNTING



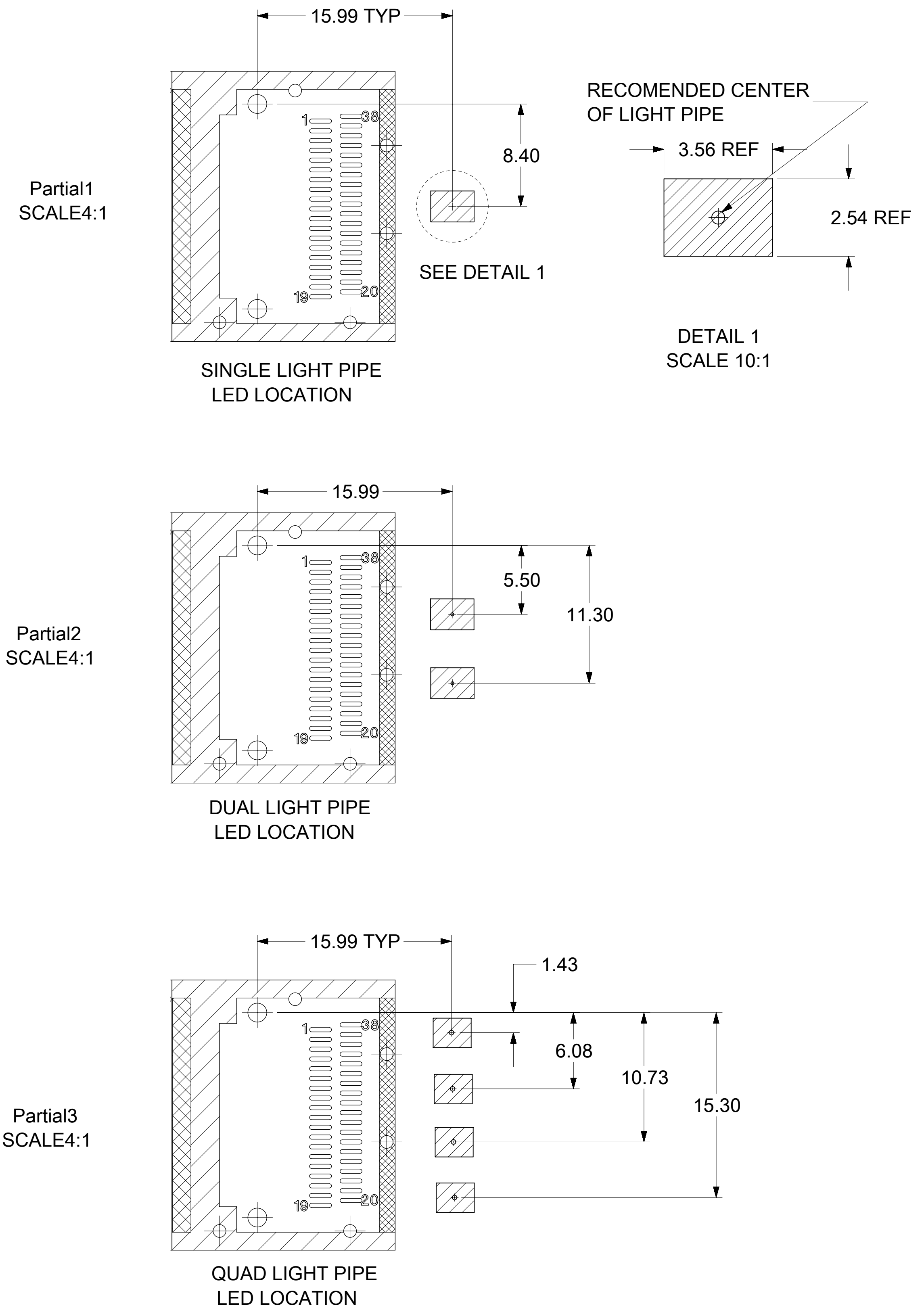
CROSS HATCHED AREA DENOTES COMPONENT & TRACE KEEP-OUT (EXCEPT CHASSIS GROUND)

AREA DENOTES OPTIONAL EMI GROUNDING PAD (MUST BE CONNECTED TO CHASSIS GROUND)

THIS AREA DENOTES COMPONENT KEEP-OUT (TRACES-ALLOWED)

- NOTES:**
- DATUM -A- IS TOP SURFACE OF HOST BOARD PER MSA
 - FINISHED HOLE SIZE (AFTER PLATING)
 - DATUM -K- IS HOST BOARD THRU HOLE #1 TO ACCEPT CONNECTOR GUIDE POST PER MSA
 - DATUM -L- IS HOST BOARD THRU HOLE #2 TO ACCEPT CONNECTOR GUIDE POST PER MSA
 - SINGLE SIDED BOARD THICKNESS
MINIMUM: 1.57 [0.061"] FOR 3.05MM & 2.90MM LEGS.
MINIMUM: 1.44 [0.057"] FOR 2.28MM & 1.90MM LEGS.
 - LED SHOULD BE PLACED RELATIVE TO THE QSFP CONNECTOR POST HOLES.

HOST CONNECTOR DETAIL



Partial1
SCALE:4:1

Partial2
SCALE:4:1

Partial3
SCALE:4:1

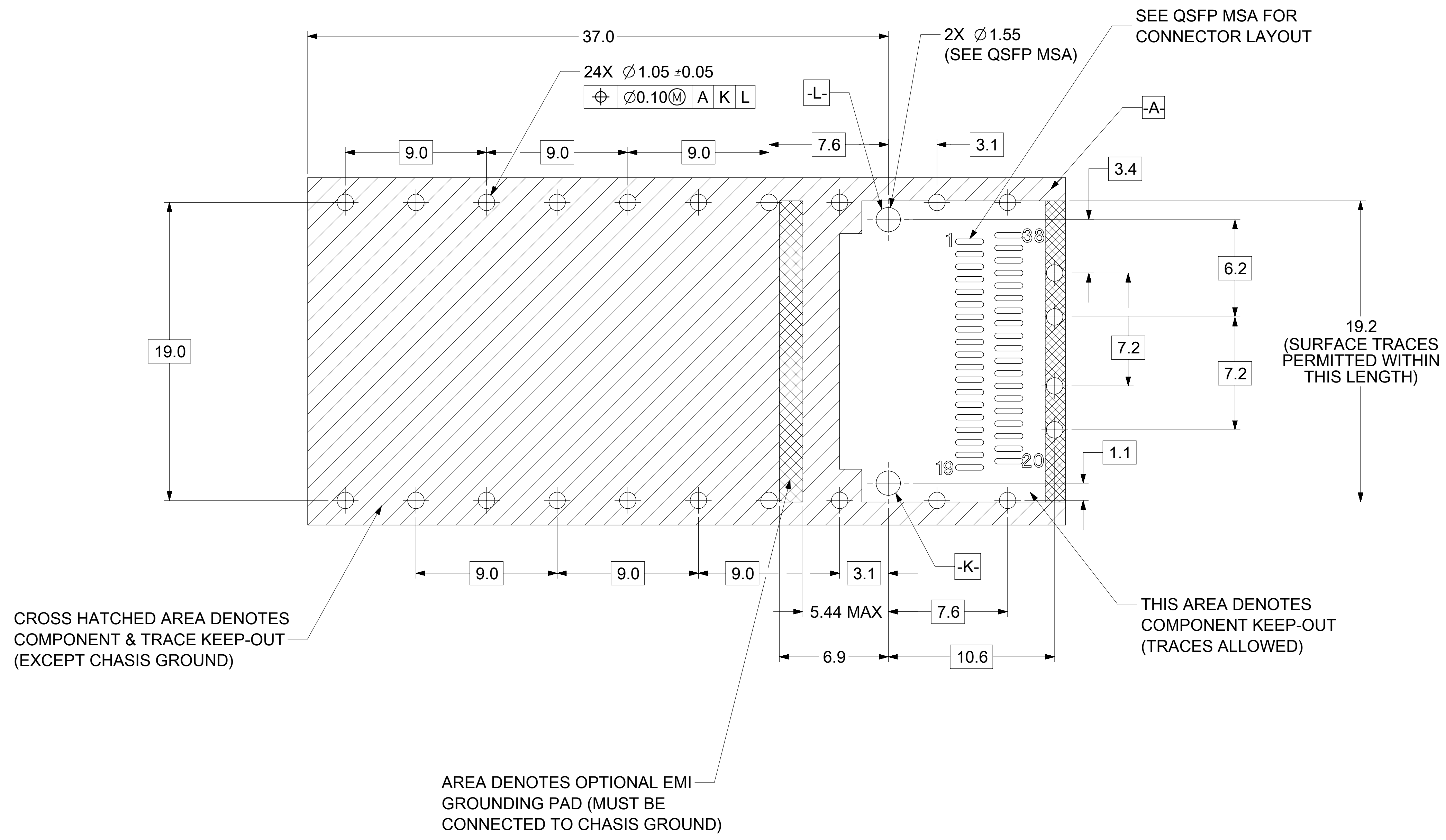
THIS DRAWING CONTAINS INFORMATION THAT IS PROPRIETARY TO MOLEX ELECTRONIC TECHNOLOGIES, LLC AND SHOULD NOT BE USED WITHOUT WRITTEN PERMISSION			
QUALITY SYMBOLS	GENERAL TOLERANCES (UNLESS SPECIFIED)	DIMENSION UNITS	SCALE
▽ = 0	ANGULAR TOL ± 1.0 °	mm	
▽ = 0	4 PLACES ±	DRWN BY	DATE
▽ = 0	3 PLACES ±	SJKG	2016/06/23
▽ = 0	2 PLACES ± 0.13	CHKD BY	DATE
▽ = 0	1 PLACE ± 0.25	DSUN15	2017/06/02
▽ = 0	0 PLACES ±	APPR BY	DATE
▽ = 0	DRAFT WHERE APPLICABLE MUST REMAIN WITHIN DIMENSIONS	RCHEN08	2017/06/05
▽ = 0		DRAWING SIZE	THIRD ANGLE PROJECTION
▽ = 0		D	
SEE REVISION TABLE		SERIES	
EC NO: 122627	2017/09/27	74750	MATERIAL NUMBER
DRWN: MKEMPEGOWDA	2017/09/28	SEE SHEET 5, 6 & 7	CUSTOMER
CHKD: ELIU08	2017/09/28	GENERAL MARKET	
REV APPR: RCHEN08		DOCUMENT NUMBER	DOC TYPE
		747500021	PSD
		DOC PART	SHEET NUMBER
		ASY	8 OF 12

molex

QSFP+ 1X1 CAGE ASSEMBLY WITH SPRING FINGER TYPE

PRODUCT CUSTOMER DRAWING

PCB LAYOUT FOR BELLY TO BELLY MOUNTING



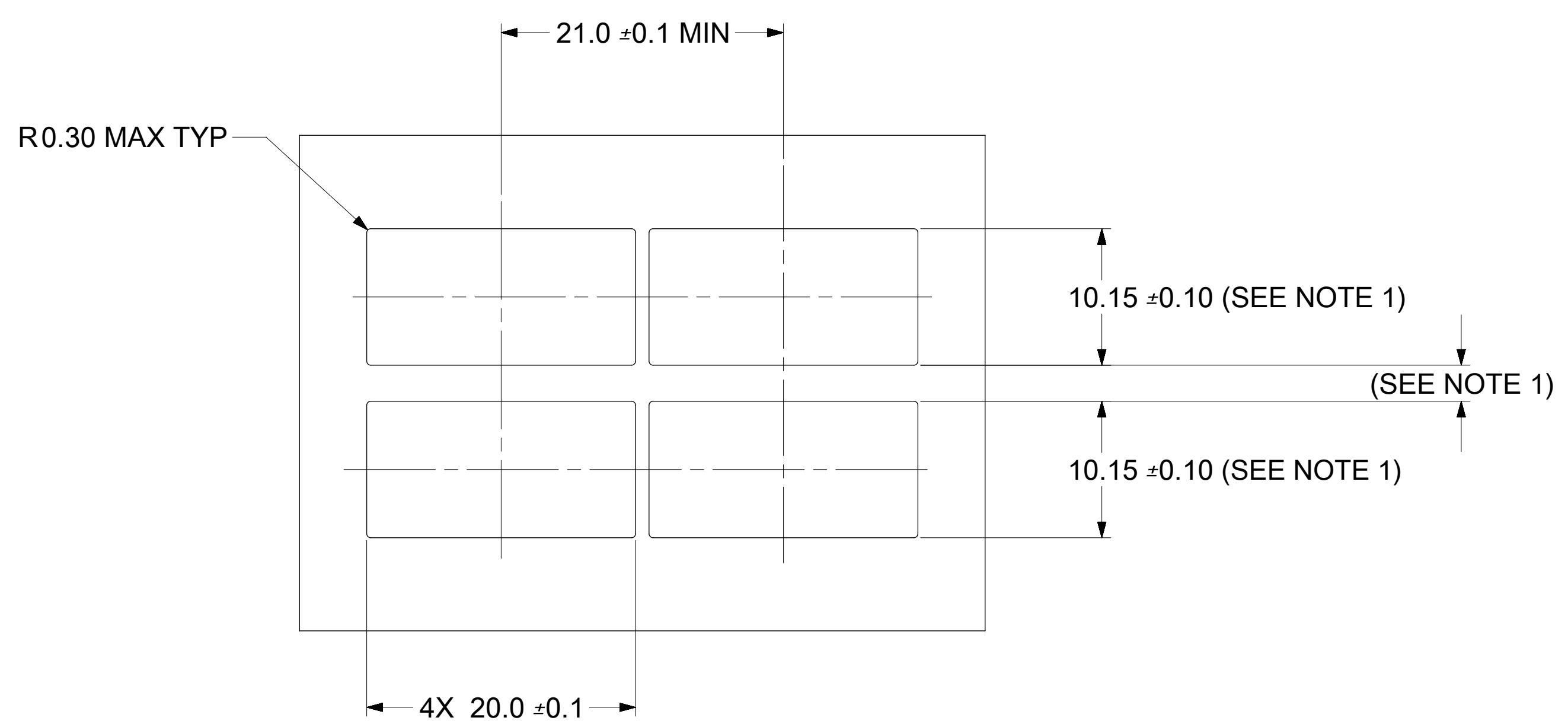
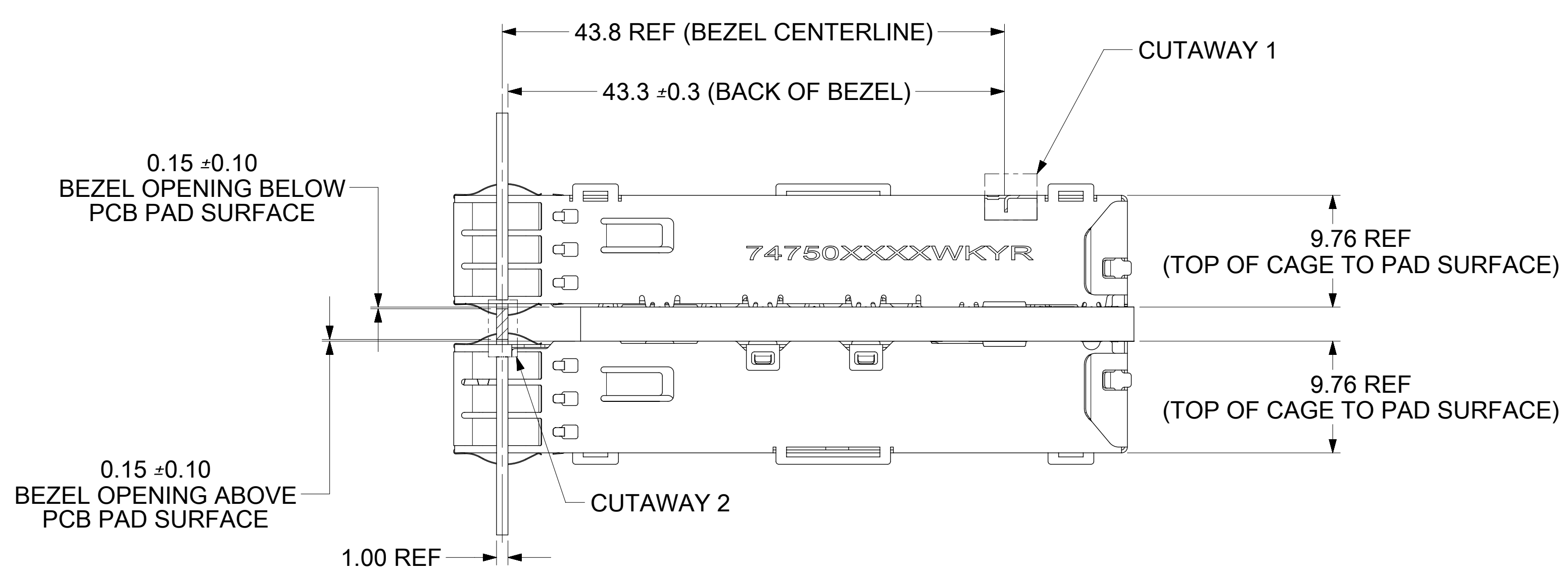
NOTE:
SEE PREVIOUS SHEET FOR
HOST CONNECTOR DETAIL
AND LED LOCATION DETAILS

NOTES:

1. DATUM -A- IS TOP SURFACE OF HOST BOARD PER MSA.
2. FINISHED HOLE SIZE (AFTER PLATING).
3. DATUM -K- IS HOST BOARD THRU HOLE #1 TO ACCEPT CONNECTOR GUIDE POST PER MSA.
4. DATUM -L- IS HOST BOARD THRU HOLE #2 TO ACCEPT CONNECTOR GUIDE POST PER MSA.
5. BELLY TO BELLY BOARD THICKNESS:
MINIMUM: 3.00 [0.118"] FOR 3.05MM LEGS.
MINIMUM: 2.07 [0.081"] FOR 2.28MM LEGS.
1.90MM AND 2.90MM SOLDER POST LEGS CANNOT BE MOUNTED BELLY TO BELLY

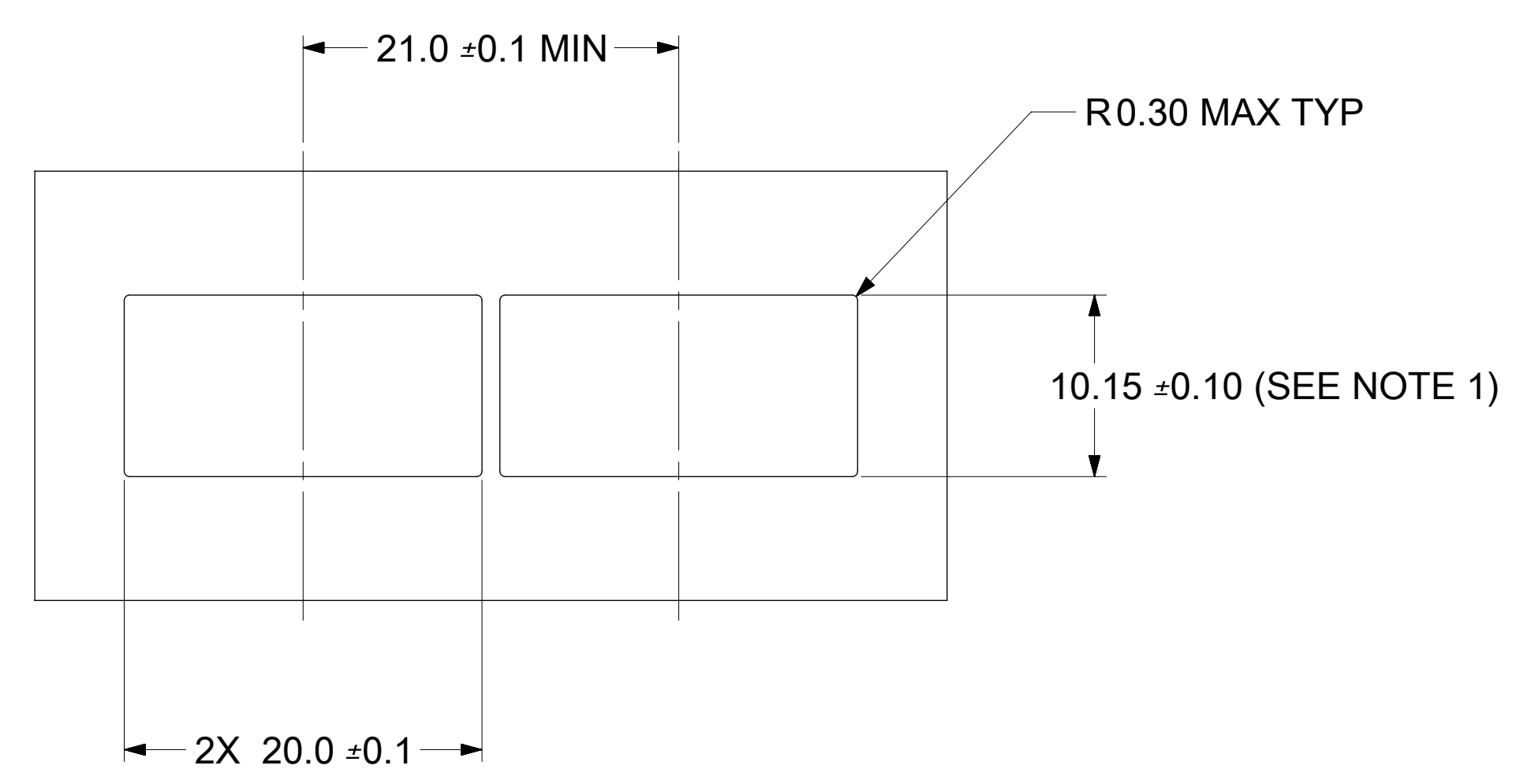
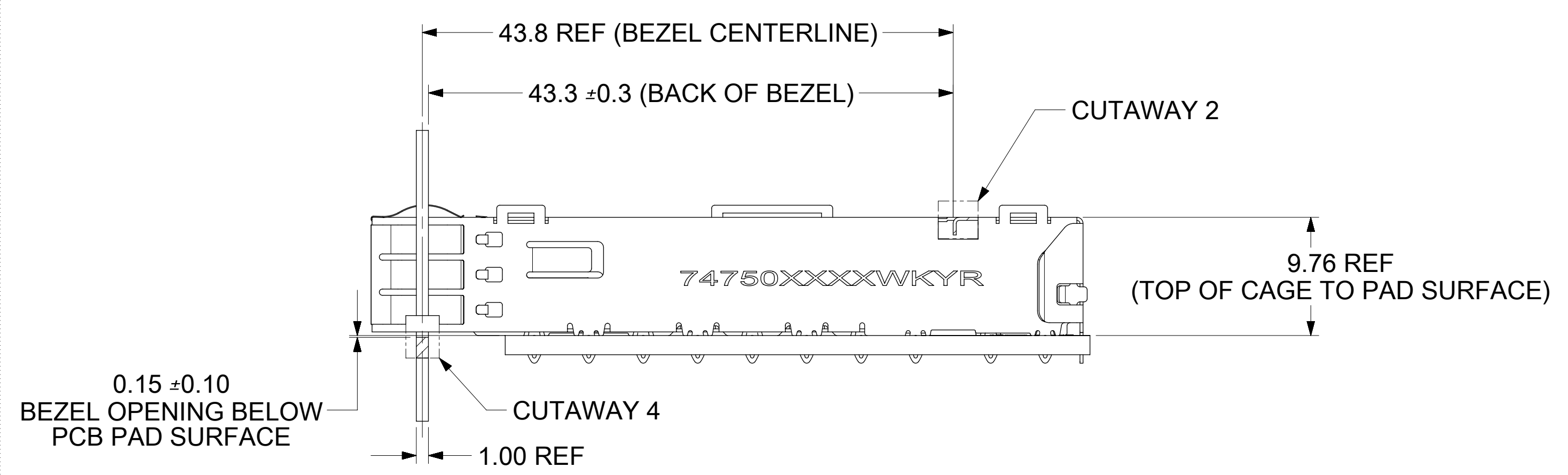
QUALITY SYMBOLS		THIS DRAWING CONTAINS INFORMATION THAT IS PROPRIETARY TO MOLEX ELECTRONIC TECHNOLOGIES, LLC AND SHOULD NOT BE USED WITHOUT WRITTEN PERMISSION									
▽ = 0	▽ = 0	▽ = 0	▽ = 0	▽ = 0	▽ = 0	▽ = 0	▽ = 0	▽ = 0	▽ = 0	▽ = 0	▽ = 0
SEE REVISION TABLE		EC NO: 122627		DRWN: MKEMPEGOWDA		CHKD: ELIU08		REV APPR: RCHEN08		DATE: 2017/09/28	
GENERAL TOLERANCES (UNLESS SPECIFIED)		DIMENSION UNITS		SCALE		DRWN BY		DATE		SERIES	
ANGULAR TOL ± 1.0 °		mm				SJKG		2016/06/23		74750	
4 PLACES ±						CHKD BY		DATE		MATERIAL NUMBER	
3 PLACES ±						DSUN15		2017/06/02		SEE SHEET 5, 6 & 7	
2 PLACES ± 0.13						APPR BY		DATE		CUSTOMER	
1 PLACE ± 0.25						RCHEN08		2017/06/05		GENERAL MARKET	
0 PLACES ±						DRAWING SIZE		THIRD ANGLE PROJECTION		DOCUMENT NUMBER	
DRAFT WHERE APPLICABLE MUST REMAIN WITHIN DIMENSIONS		D		THIRD ANGLE PROJECTION						747500021	
										DOC TYPE	
										PSD	
										DOC PART	
										ASY	
										SHEET NUMBER	
										9 OF 12	

BOARD POSITION AND BEZEL DIMENSIONS FOR BELLY TO BELLY MOUNTING



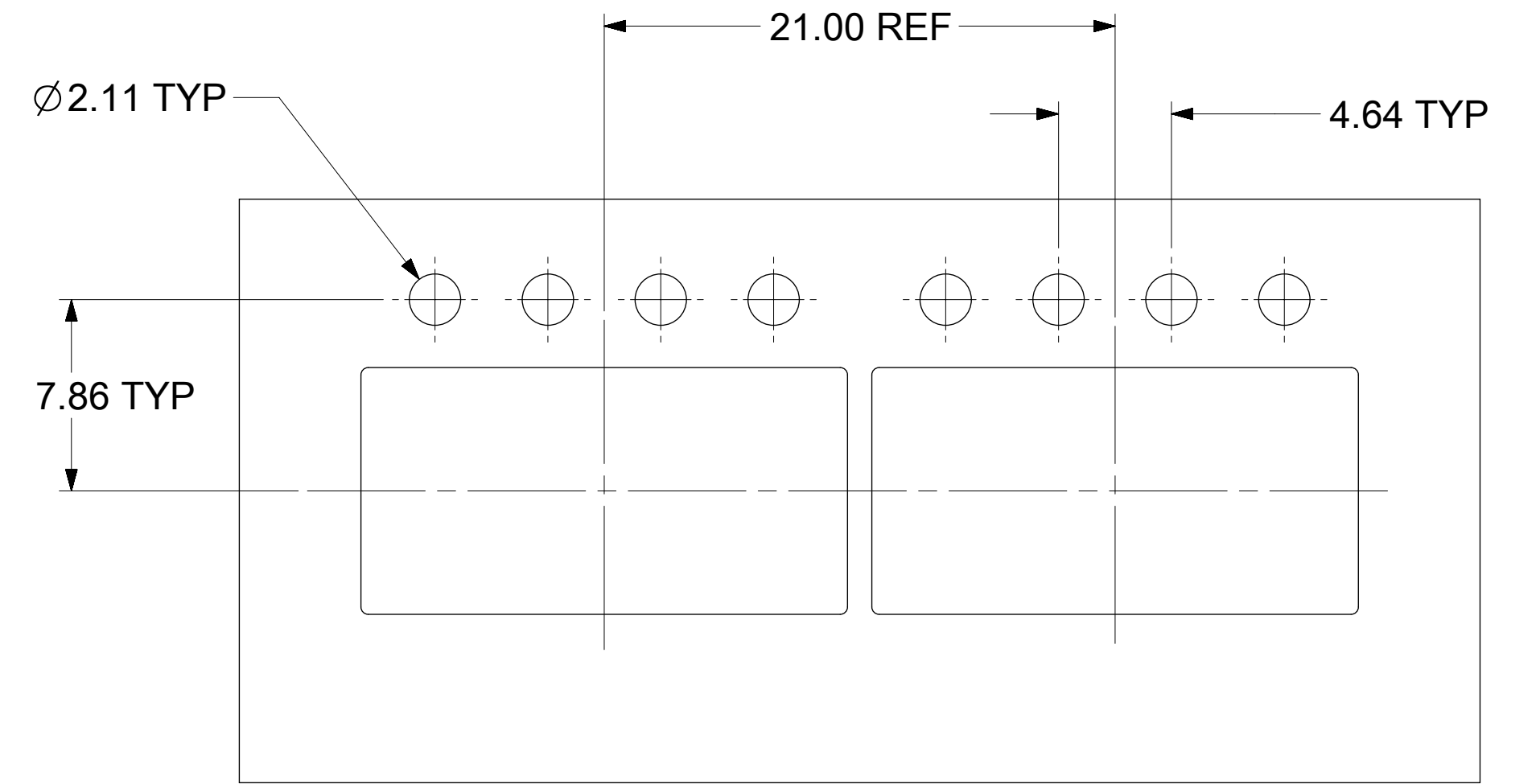
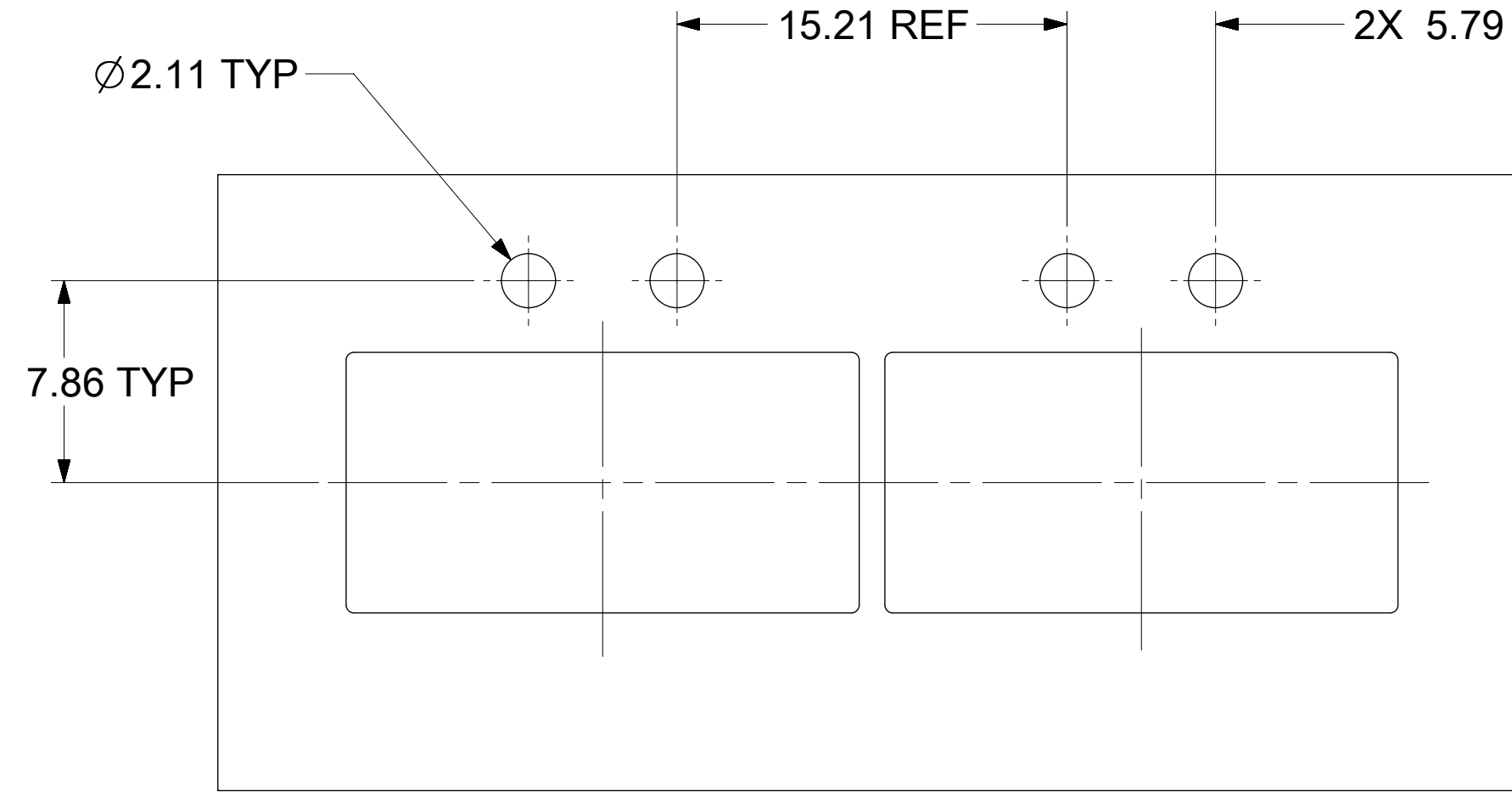
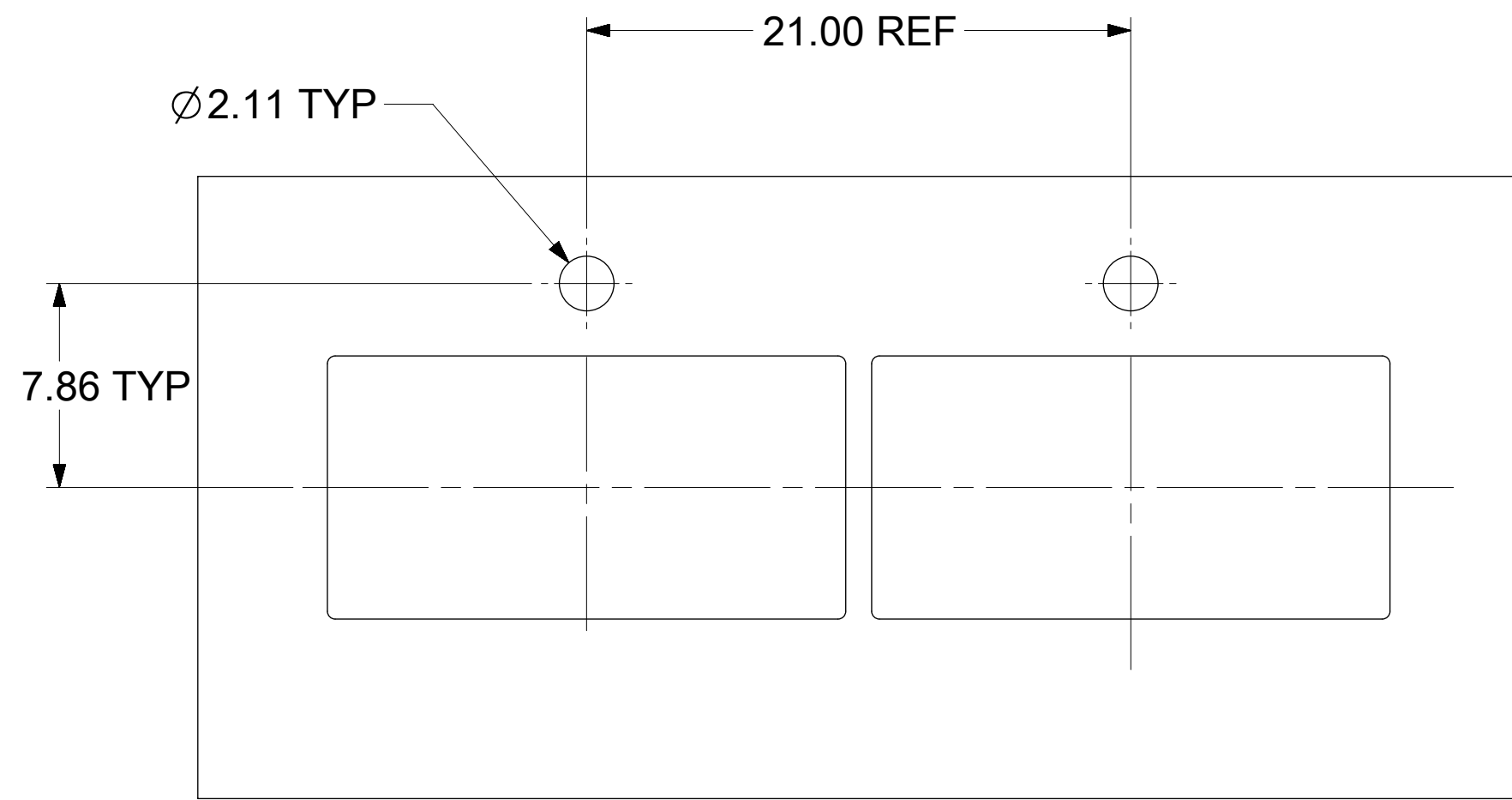
NOTE:
 1. PCB THICKNESS VARIATION MUST BE CONSIDERED WHEN DETERMINING BEZEL OPENING, SIZE, AND LOCATION.
 2. SEE QSFP MSA SPECIFICATION FOR BEZEL LOCATION TOLERANCE.

BOARD POSITION AND BEZEL DIMENSIONS FOR SINGLE SIDE MOUNTING



THIS DRAWING CONTAINS INFORMATION THAT IS PROPRIETARY TO MOLEX ELECTRONIC TECHNOLOGIES, LLC AND SHOULD NOT BE USED WITHOUT WRITTEN PERMISSION									
QUALITY SYMBOLS	DRWN: MKEMPEGOWDA		GENERAL TOLERANCES (UNLESS SPECIFIED)		DIMENSION UNITS	SCALE			
	2017/09/27		ANGULAR TOL ± 1.0 °		mm				
▽ = 0	SEE REVISION TABLE	EC NO: 122627	4 PLACES ±		DRWN BY	DATE	QSFP+ 1X1 CAGE ASSEMBLY WITH SPRING FINGER TYPE PRODUCT CUSTOMER DRAWING		
▽ = 0			3 PLACES ±		SJKG	2016/06/23			
▽ = 0			2 PLACES ± 0.13		CHKD BY	DATE			
▽ = 0			1 PLACE ± 0.25		DSUN15	2017/06/02			
▽ = 0			0 PLACES ±		APPR BY	DATE			
▽ = 0	REV APPR: RCHEN08	2017/09/28	DRAFT WHERE APPLICABLE MUST REMAIN WITHIN DIMENSIONS		RCHEN08	2017/06/05	SERIES MATERIAL NUMBER CUSTOMER		
▽ = 0					DRAWING SIZE	THIRD ANGLE PROJECTION	74750	SEE SHEET 5, 6 & 7	GENERAL MARKET
▽ = 0					D		DOCUMENT NUMBER	DOC TYPE	DOC PART SHEET NUMBER
							747500021	PSD	ASY 10 OF 12

LIGHT PIPE CUTOUT DIMENSIONS



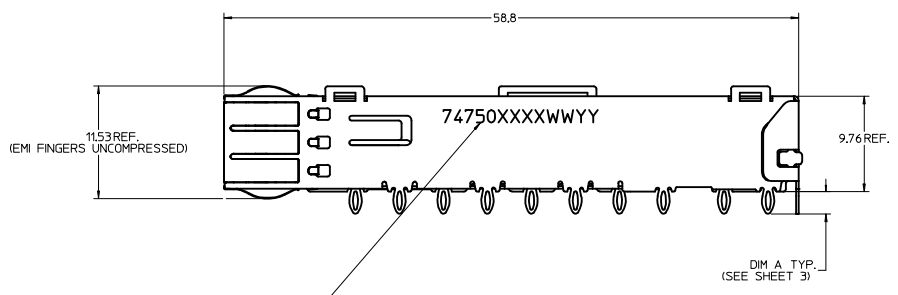
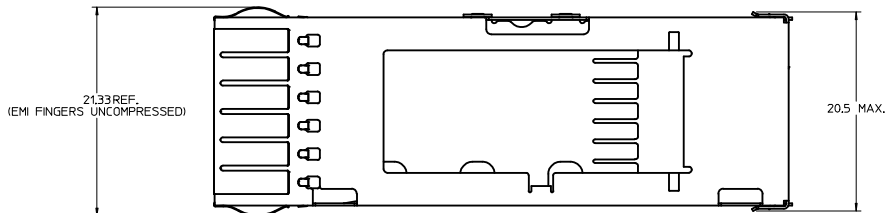
QUALITY SYMBOLS = 0 = 0 = 0 = 0 = 0 = 0 = 0 = 0	THIS DRAWING CONTAINS INFORMATION THAT IS PROPRIETARY TO MOLEX ELECTRONIC TECHNOLOGIES, LLC AND SHOULD NOT BE USED WITHOUT WRITTEN PERMISSION									
	SEE REVISION TABLE		GENERAL TOLERANCES (UNLESS SPECIFIED)		DIMENSION UNITS		SCALE			
	EC NO: 122627		ANGULAR TOL ± 1.0 °		mm					
	DRWN: MKEMPEGOWDA		4 PLACES ±		DRWN BY		DATE		QSFP+ 1X1 CAGE ASSEMBLY WITH SPRING FINGER TYPE	
	CHKD: ELIU08		3 PLACES ±		SJKG		2016/06/23			
	REV APPR: RCHEN08		2 PLACES ± 0.13		CHKD BY		DATE		PRODUCT CUSTOMER DRAWING	
			1 PLACE ± 0.25		DSUN15		2017/06/02			
			0 PLACES ±		APPR BY		DATE		SERIES MATERIAL NUMBER CUSTOMER 74750 SEE SHEET 5, 6 & 7 GENERAL MARKET	
			DRAFT WHERE APPLICABLE MUST REMAIN WITHIN DIMENSIONS		RCHEN08		2017/06/05			
					DRAWING SIZE		THIRD ANGLE PROJECTION		DOCUMENT NUMBER DOC TYPE DOC PART SHEET NUMBER 747500021 PSD ASY 11 OF 12	
				D						

REV	DATE	DESCRIPTION
A	2007/07/23	1) INITAL RELEASE
B	2007/08/06	1)CHANGED ALL TANGENT LINES FROM DASHED LINES TO SOLID LINES
C	2007/08/10	1) ADDED COMPONENT P/N COLUMN TO TABLE 2) ADDED "COMPONENT" TO NOTE IN BOTTOM VIEW ON SHEET 1 3) CHANGED TEXT IN MATERIAL NO. SECTION OF TITLE BLOCK TO READ "SEE TABLE"
D	2008/07/10	1) REMOVED COMMENTS FROM TABLE ON SHEET 1 2) ADDED "HOLES OPTIONAL" NOTE TO PCB LAYOUT ON SHEET 2 AND SHEET 3 3) ADDED 747500024 TO TABLE ON SHEET 1 AS WELL AS ISO VIEW 4) UPDATED "COMPONENT PART NUMBER AND DATE CODE" NOTE ON SHEET 1
E	2008/12/16	1) 20.4 DIMENSION WAS 20.38 REF. 2) 58.8 DIMENSION WAS 58.80 REF. 3) 2.28 TYP. DIMENSION WAS 2.28 REF. 4) 15.4 DIMENSION WAS 15.40 REF.
F	2009/04/13	1) REVISED COMPONENT P/N FOR MOLEX P/N 747500024 (CHANGED FROM 747540104 TO 747500104)
G	2010/10/29	1) 20.5 MAX DIMENSION WAS 20.4 2) 19.2 MAX DIMENSION WAS 16.2 MAX
H	2011/04/05	1) ADDED PRINTED DATE CODE TO LEFT SIDE OF CAGE AND ASSOCIATED NOTES. 2) ADDED CUTAWAY 1 AND CRITICAL TO FUNCTION DIMENSION 29.88 <input checked="" type="checkbox"/> 3) REMOVED 74750 FROM BOTTOM OF CAGE, SHEET 1. 4) UPDATED RoHS NOTE (NOTE 5) TO "LEAD FREE, NO RoHS EXEMPTIONS" ON SHEET 1. 5) ADDED END VIEW, SHEET 1.
I	2012/04/13	1) ADDED 747500012 TO P/N TABLE, SHEET 1. 2) UPDATED BELLY-TO-BELLY CAGE VIEW, SHEET 3. 3) ADDED BELLY-TO-BELLY BEZEL AND DIMENSIONS, SHEET 3.
J	2013/01/10	1) ADDED 747500057 AND 747500058 INTO P/N TABLE, SHEET 3. 2) REARRANGE EACH SHEET
K	2013/04/09	1) ADDED P/N 747500062 TO CHART ON PAGE 3. 2) UPDATED DIMENSION 9.77 TO 9.76 BY CORRECTING PLACEMENT ON VIEWS SHEET 6.
L	2014/12/11	1) ADDED P/N 747501586 AND ISO VIEW TO SHEET 3.
M	2017/05/31	REMASTERED FROM SD-74750-0021 REV_L TO 747500021 PDD ASY. COMBINED SD-74750-0070, 0092, 1100, & 1140 WITH 747500021 PDD ASY. SHEET 6: G06: ADDED NEW FG 747500059 TO P/N TABLE
M1	2017/06/08	CHANGED THE DOCUMENT TYPE FROM RSD TO SD
N	2017/09/27	SHEET 6: G06: ADDED NEW P/N 747500063 TO P/N TABLE

QUALITY SYMBOLS		THIS DRAWING CONTAINS INFORMATION THAT IS PROPRIETARY TO MOLEX ELECTRONIC TECHNOLOGIES, LLC AND SHOULD NOT BE USED WITHOUT WRITTEN PERMISSION											
	= 0	SEE REVISION TABLE	GENERAL TOLERANCES (UNLESS SPECIFIED)		DIMENSION UNITS	SCALE							
	= 0		ANGULAR TOL ± 1.0 °		mm								
	= 0		4 PLACES ±		DRWN BY	DATE							
	= 0		3 PLACES ±		SJKG	2016/06/23							
	= 0		2 PLACES ± 0.13		CHKD BY	DATE							
	= 0		1 PLACE ± 0.25		DSUN15	2017/06/02							
	= 0		0 PLACES ±		APPR BY	DATE							
	= 0		DRAFT WHERE APPLICABLE MUST REMAIN WITHIN DIMENSIONS		RCHEN08	2017/06/05							
	= 0				DRAWING SIZE	THIRD ANGLE PROJECTION							
	= 0				D								
RELEASE STATUS	P1	RELEASE DATE	28.09.2017	09:26:03	SERIES		MATERIAL NUMBER	CUSTOMER		PRODUCT CUSTOMER DRAWING			
					74750	SEE SHEET 5, 6 & 7	GENERAL MARKET						
					DOCUMENT NUMBER		747500021	DOC TYPE	PSD	DOC PART	ASV	SHEET NUMBER	12 OF 12

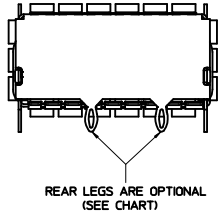
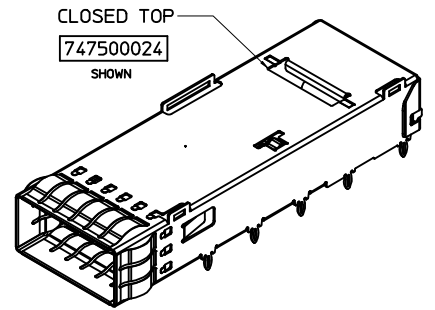
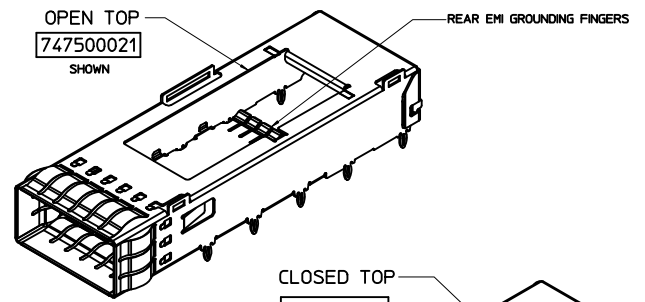
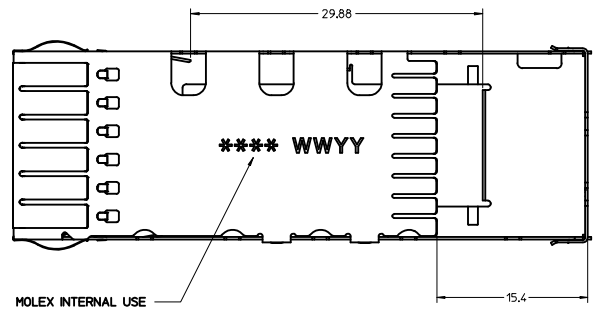
CAGE DETAILS

(APPLIES TO ALL CAGES IN THIS DRAWING)



PART NO. AND WEEK/YEAR DATE CODE TO BE PRINTED ON SIDE OF COMPLETED CAGE ASSEMBLY AS SHOWN.

WEEK/YEAR DATE CODE TABLE	
WW	01 THRU 52 EXAMPLE: 01 = FIRST WEEK OF YEAR 52 = LAST WEEK OF YEAR
YY	11, 12, 13 ETC. EXAMPLE: YEAR 2013 = 13

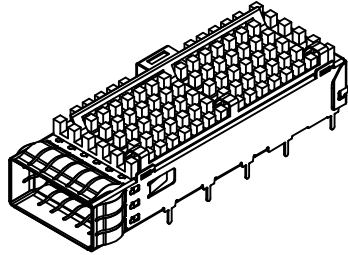
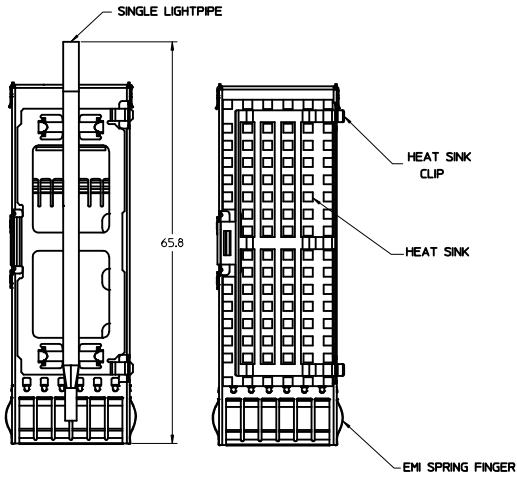


NOTES:

- PRESS FIT LEGS 2.28 / 3.05 mm LONG
- SOLDER POST LEGS 1.90 / 2.90 mm LONG
- SINGLE SIDED BOARD THICKNESS
NOMINAL: 1.60
MINIMUM: 1.44
BELLY TO BELLY BOARD THICKNESS
NOMINAL: 2.30
MINIMUM: 2.07
- MATERIAL: COPPER ALLOY (PLATED PRIOR TO CUTTING AND FORMING)
CAGE: 0.25 mm THICK COPPER ALLOY, NICKEL PLATED OR TIN
SPRING FINGER: 0.08 mm THICK COPPER ALLOY, NICKEL PLATED
HEAT SINK CLIP: STAINLESS STEEL
LIGHT PIPES: POLYCARBONATE (UL 94-V0 RATED)
HEATSINKS: ANNOXIDIZED ALUMINUM
- REFERENCE DOCUMENTS: PRODUCT SPECIFICATION: QSFP MSA
- CUSTOM HEATSHINKS AVAILABLE UPON REQUEST
- QSFP+ ASSEMBLES ALSO AVAILABLE IN 1X2 (74767 SERIES), 1X3 (74768 SERIES), 1X4 (74769 SERIES) AND 1X6 (74771 SERIES).
- PACKAGED IN TRAY.
- NO RoHS EXEMPTIONS.

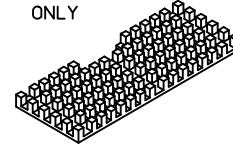
SEE REVISION SHEET EC NO: CPG2015-1999 DRAWN: ERWIN 2014/10/13 CHECKED: GABRIELLA 2014/10/13 APPROVED: BREED 2014/10/17 REV DESCRIPTION	QUALITY SYMBOLS ∇=0 ∇=0 ∇=0		GENERAL TOLERANCES (UNLESS SPECIFIED) <table border="1"> <tr> <th></th> <th>mm</th> <th>INCH</th> </tr> <tr> <td>4 PLACES</td> <td>±---</td> <td>±---</td> </tr> <tr> <td>3 PLACES</td> <td>±---</td> <td>±---</td> </tr> <tr> <td>2 PLACES</td> <td>±0.13</td> <td>±---</td> </tr> <tr> <td>1 PLACE</td> <td>±0.25</td> <td>±---</td> </tr> <tr> <td>0 PLACE</td> <td>±---</td> <td>±---</td> </tr> </table>			mm	INCH	4 PLACES	±---	±---	3 PLACES	±---	±---	2 PLACES	±0.13	±---	1 PLACE	±0.25	±---	0 PLACE	±---	±---	DIMENSION STYLE MM ONLY		SCALE 4:1	DESIGN UNITS METRIC	THIRD ANGLE PROJECTION
		mm	INCH																								
	4 PLACES	±---	±---																								
	3 PLACES	±---	±---																								
2 PLACES	±0.13	±---																									
1 PLACE	±0.25	±---																									
0 PLACE	±---	±---																									
DRAFT WHERE APPLICABLE MUST REMAIN WITHIN DIMENSIONS			MATERIAL NO. SEE SHEET 3		DOCUMENT NO. SD-74750-0021		SHEET NO. 1 OF 8																				
THIS DRAWING CONTAINS INFORMATION THAT IS PROPRIETARY TO MOLEX INCORPORATED AND SHOULD NOT BE USED WITHOUT WRITTEN PERMISSION																											

CAGE ASSEMBLY OPTIONS

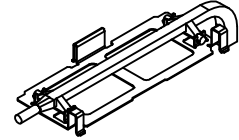


HEATSHINK AND LIGHT PIPE OPTIONS

HEAT SINK ONLY

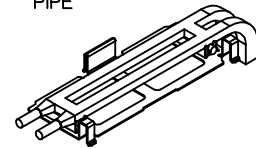


SINGLE LIGHT PIPE



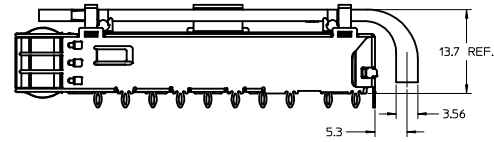
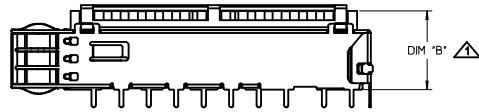
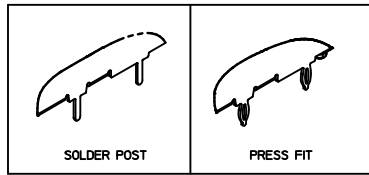
MOLEX P/N: 747500030

DUAL LIGHT PIPE



MOLEX P/N: 747500031

LEG TYPE OPTIONS

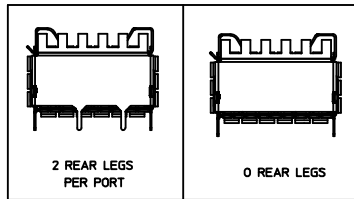


HEATSINK HEIGHT OPTIONS

OVERALL HEATSINK HEIGHT	DIM B	TOL
PCI	13.7	+0.25
SAN	16.0	-0.73
NET	23.0	

HEIGHT OF HEATSINK WITH MODULE INSERTED. DIMENSION MAY BE LESS DUE TO MODULE AND HEATSINK VARIATIONS.

REAR LEG OPTIONS

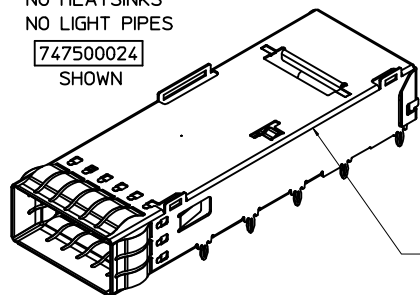


SEE REVISION SHEET EEC NO: CPG2015-1999 DRAWN: ERWIN 2014/10/13 CHKD: GARBELLA 2014/10/13 APPR: BREED 2014/10/17	QUALITY SYMBOLS ∇=0 ∇=0 ∇=0	GENERAL TOLERANCES (UNLESS SPECIFIED) DIM INCH 4 PLACES ± .005 ± .005 3 PLACES ± .005 ± .005 2 PLACES ± 0.13 ± .005 1 PLACE ± 0.25 ± .005 0 PLACE ± .005 ± .005	DIMENSION STYLE MM ONLY DRAWN BY: CHIRSCHY DATE: 2007/07/23 CHECKED BY: BRUSSELL DATE: 2007/07/23 APPROVED BY: RMAHMOOD DATE: 2010/11/01	SCALE: 2.5:1 DESIGN UNITS: METRIC THIRD ANGLE PROJECTION	TITLE: QSFP+ CAGE ASSEMBLY WITH SPRING FINGERS 	MATERIAL NO. SEE SHEET 3 DOCUMENT NO. SD-74750-0021	SHEET NO. 2 OF 8
	DRAFT WHERE APPLICABLE MUST REMAIN WITHIN DIMENSIONS						
	THIS DRAWING CONTAINS INFORMATION THAT IS PROPRIETARY TO MOLEX INCORPORATED AND SHOULD NOT BE USED WITHOUT WRITTEN PERMISSION						
	SIZE D						

PART NUMBER SELECTION

NO HEATSINKS
NO LIGHT PIPES

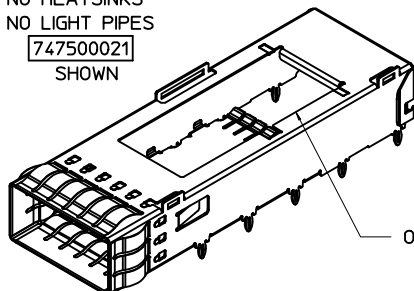
747500024
SHOWN



CLOSED TOP

NO HEATSINKS
NO LIGHT PIPES

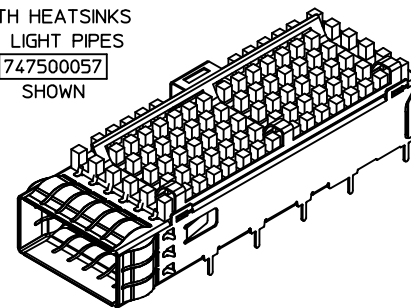
747500021
SHOWN



OPEN TOP

WITH HEATSINKS
NO LIGHT PIPES

747500057
SHOWN



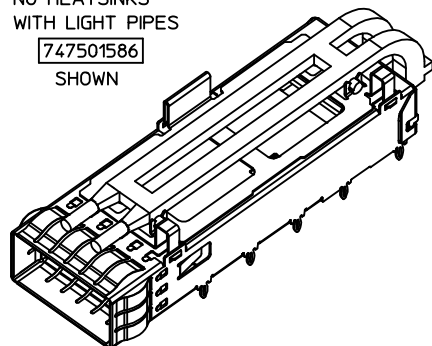
MOLEX P/N		# OF REAR LEGS PER PORT	DIM A	PLATING
LEG TYPE PRESS FIT	LEG TYPE SOLDER POST			
747500024	---	2	2.28	NICKEL
---	747500051	2	1.9	NICKEL
---	747500053	2	1.9	MATTE TIN
---	747500056	2	1.9	BRIGHT TIN

MOLEX P/N		# OF REAR LEGS PER PORT	DIM A	PLATING
LEG TYPE PRESS FIT	LEG TYPE SOLDER POST			
747500012	---	2	3.05	NICKEL
747500021	---	2	2.28	NICKEL
747500023	---	0	2.28	NICKEL
---	747500058	2	2.90	NICKEL
---	747500062 *	2	2.90	NICKEL

MOLEX P/N		# OF REAR LEGS PER PORT	DIM A	DIM B	PLATING
LEG TYPE PRESS FIT	LEG TYPE SOLDER POST				
---	747500057	2	2.9	13.7	NICKEL
747500040	---	2	2.28	16.0	NICKEL
747500042	---	0	2.28	16.0	NICKEL
747500044	---	2	2.28	13.7	NICKEL
747500046	---	2	2.28	23.0	NICKEL

NO HEATSINKS
WITH LIGHT PIPES

747501586
SHOWN



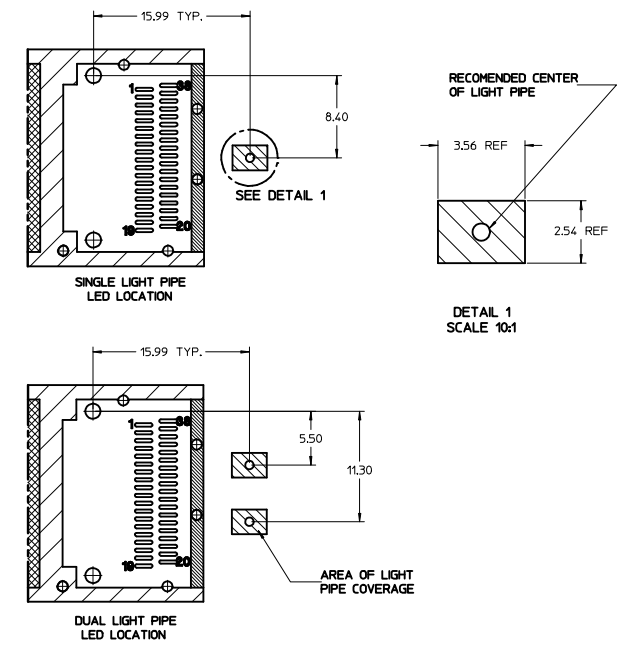
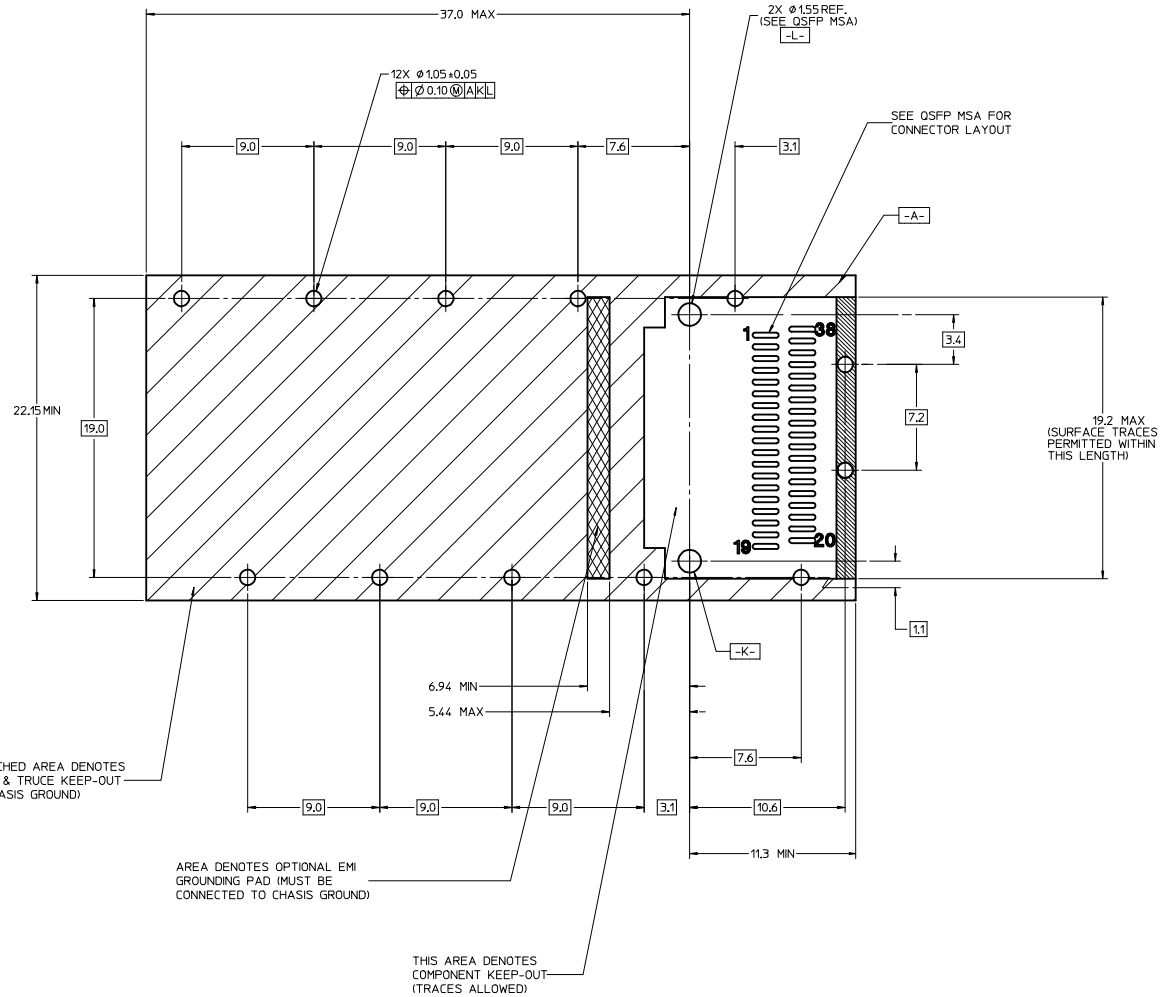
MOLEX ASSEMBLY P/N	MOLEX P/N		LIGHT PIPE ASSEMBLY P/N	#OF REAR LEGS PER PORT	DIM A	PLATING
	LEG TYPE PRESS FIT	LEG TYPE SOLDER POST				
747501586	747500024	---	747500031	2	2.28	NICKEL

* HEATSINK/LIGHT PIPE CLIP FEATURE REMOVED.

SEE REVISION SHEET IEC NO. CPG2015-1999 DRAWN: LERMIN 2014/10/13 CHECKED: GARDELLA 2014/10/13 APPR: BREED 2014/10/17	QUALITY SYMBOLS ∇=0 ∇=0 ∇=0	GENERAL TOLERANCES (UNLESS SPECIFIED)		DIMENSION STYLE MM ONLY		SCALE 3:1	DESIGN UNITS METRIC	THIRD ANGLE PROJECTION	
		4 PLACES ± mm ± INCH 3 PLACES ± --- ± --- 2 PLACES ± 0.13 ± --- 1 PLACE ± 0.25 ± --- 0 PLACE ± --- ± ---		DRAWN BY DATE CHIRSCHY 2007/07/23 CHECKED BY DATE BRUSSELL 2007/07/23 APPROVED BY DATE RMAHMOOD 2010/11/01		TITLE QSFP+ CAGE ASSEMBLY WITH SPRING FINGERS			
		ANGULAR ± 1 ° DRAFT WHERE APPLICABLE MUST REMAIN WITHIN DIMENSIONS		MATERIAL NO. SEE SHEET 3		DOCUMENT NO. SD-74750-0021		SHEET NO. 3 OF 8	
		THIS DRAWING CONTAINS INFORMATION THAT IS PROPRIETARY TO MOLEX INCORPORATED AND SHOULD NOT BE USED WITHOUT WRITTEN PERMISSION							

PCB LAYOUT FOR SINGLE SIDED APPLICATIONS

FOR CAGE ASSEMBLIES WITH LIGHT PIPES

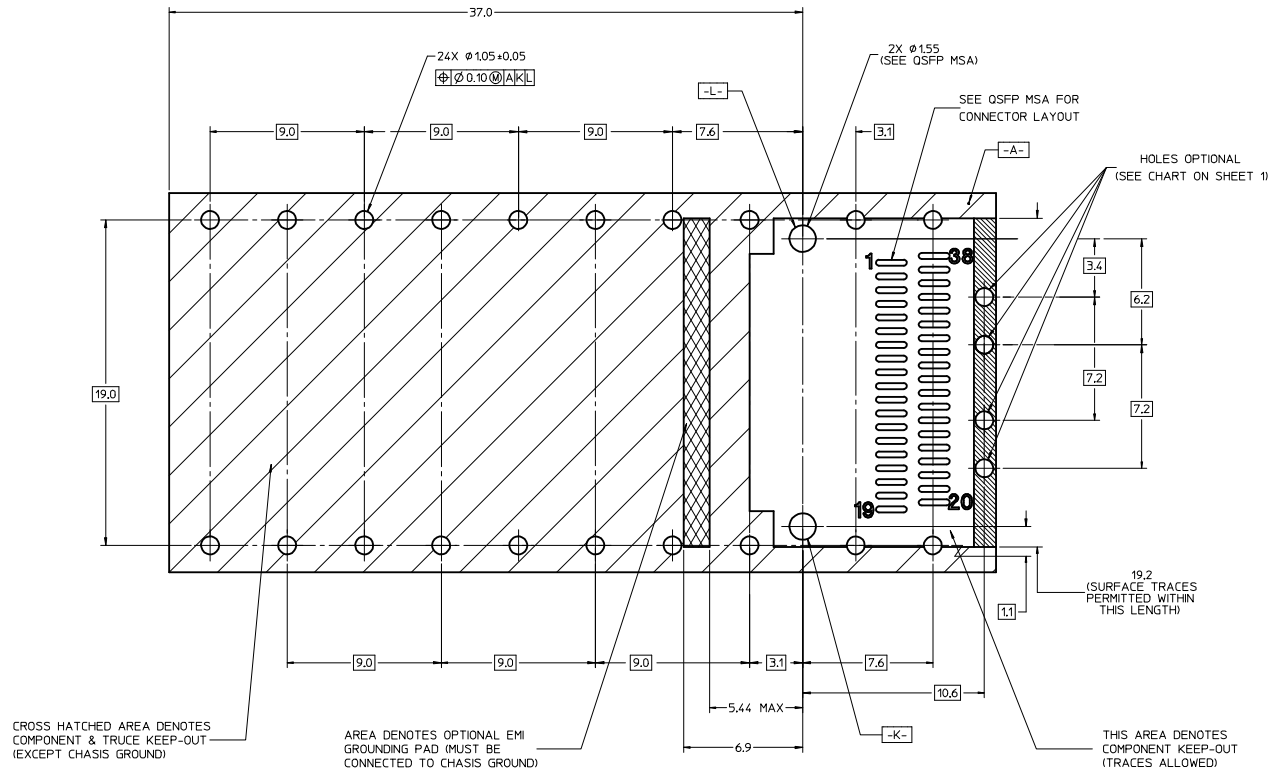


NOTES:

1. DATUM -A- IS TOP SURFACE OF HOST BOARD PER MSA
2. FINISHED HOLE SIZE (AFTER PLATING)
3. DATUM -K- IS HOST BOARD THRU HOLE #1 TO ACCEPT CONNECTOR GUIDE POST PER MSA
4. DATUM -L- IS HOST BOARD THRU HOLE #2 TO ACCEPT CONNECTOR GUIDE POST PER MSA

SEE REVISION SHEET EC NO: CPG2015-1999 DRAWN BY: LERMIN 2014/10/13 CHYKOBARDILLA 2014/10/13 APPROVED BY: BREED 2014/10/17	QUALITY SYMBOLS	GENERAL TOLERANCES (UNLESS SPECIFIED)	DIMENSION STYLE	SCALE	DESIGN UNITS	THIRD ANGLE PROJECTION
	∇=0 ∇=0 ∇=0	mm INCH 4 PLACES ± --- ± --- 3 PLACES ± --- ± --- 2 PLACES ± 0.13 ± --- 1 PLACE ± 0.25 ± --- 0 PLACE ± --- ± ---	MM ONLY	1:1	METRIC	CHIRSCY 2007/07/23 BRUSSELL 2007/07/23 RAHMOOD 2010/11/01
	ANGULAR ± 1 ° DRAFT WHERE APPLICABLE MUST REMAIN WITHIN DIMENSIONS	DRAWN BY: CHIRSCY DATE: 2007/07/23 CHECKED BY: BRUSSELL DATE: 2007/07/23 APPROVED BY: RAHMOOD DATE: 2010/11/01	TITLE: QSFP+ CAGE ASSEMBLY WITH SPRING FINGERS	MATERIAL NO.: SEE SHEET 3	DOCUMENT NO.: SD-74750-0021	SHEET NO.: 4 OF 8
	THIS DRAWING CONTAINS INFORMATION THAT IS PROPRIETARY TO MOLEX INCORPORATED AND SHOULD NOT BE USED WITHOUT WRITTEN PERMISSION					

PCB LAYOUT FOR BELLY-TO-BELLY APPLICATIONS



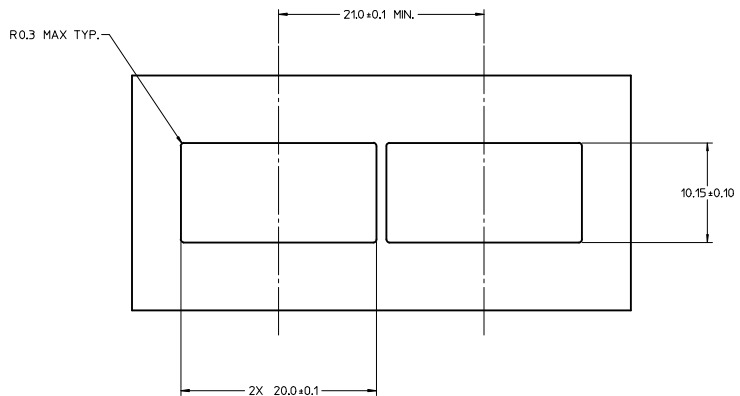
NOTE:
FOR RECOMENDED CENTER
OF LIGHT PIPES,
SEE SHEET 4

NOTES:

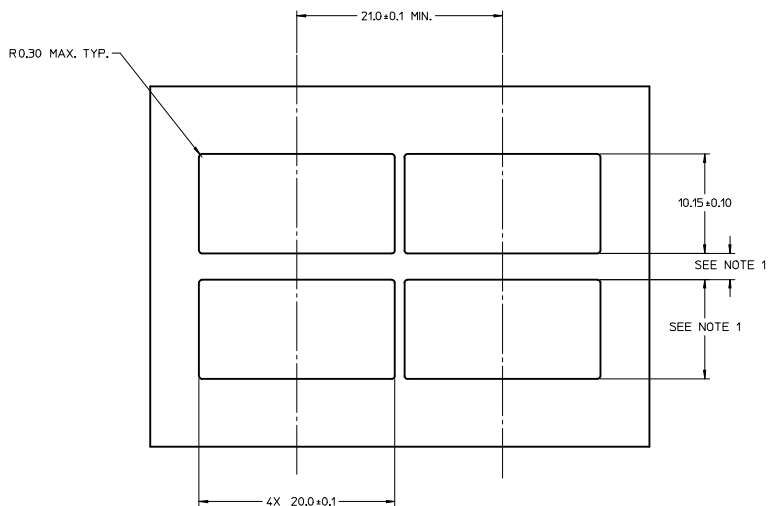
1. DATUM -A- IS TOP SURFACE OF HOST BOARD PER MSA.
2. FINISHED HOLE SIZE (AFTER PLATING).
3. DATUM -K- IS HOST BOARD THRU HOLE #1 TO ACCEPT CONNECTOR GUIDE POST PER MSA.
4. DATUM -L- IS HOST BOARD THRU HOLE #2 TO ACCEPT CONNECTOR GUIDE POST PER MSA.

SEE REVISION SHEET EEC NO: CPG2015-1999 DRAWN BY: CHYKOBARELLA APPROVED: APPR-BREED DATE: 2014/10/13 DATE: 2014/10/17	QUALITY SYMBOLS ∇=0 ∇=0 ∇=0	GENERAL TOLERANCES (UNLESS SPECIFIED)		DIMENSION STYLE MM ONLY	SCALE 1:1	DESIGN UNITS METRIC	THIRD ANGLE PROJECTION	
		4 PLACES ± 0.13 ± 0.05 3 PLACES ± 0.13 ± 0.05 2 PLACES ± 0.13 ± 0.05 1 PLACE ± 0.25 ± 0.10 0 PLACE ± 0.25 ± 0.10	mm INCH	DRAWN BY: CHIRSCHY DATE: 2007/07/23		TITLE QSFP+ CAGE ASSEMBLY WITH SPRING FINGERS		
		ANGULAR ± 1 ° DRAFT WHERE APPLICABLE MUST REMAIN WITHIN DIMENSIONS		APPROVED BY: RMAHMOOD DATE: 2010/11/01		MATERIAL NO. _____ DOCUMENT NO. SD-74750-0021		
		SEE SHEET 3		SHEET NO. 5 OF 8				

BEZEL AND BOARD POSITION DIMENSIONS
FOR SINGLE SIDE MOUNTING



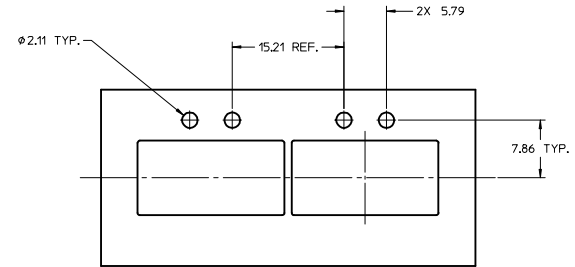
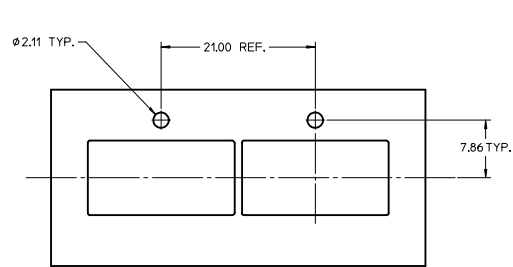
BEZEL AND BOARD POSITION DIMENSIONS
FOR BELLY-TO-BELLY MOUNTING



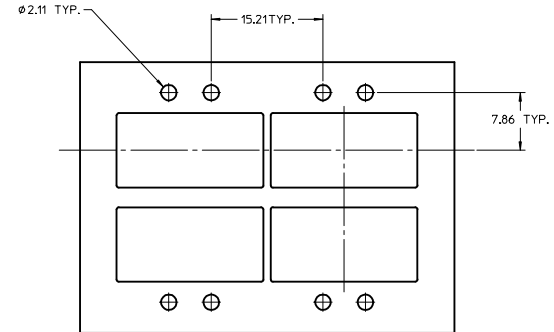
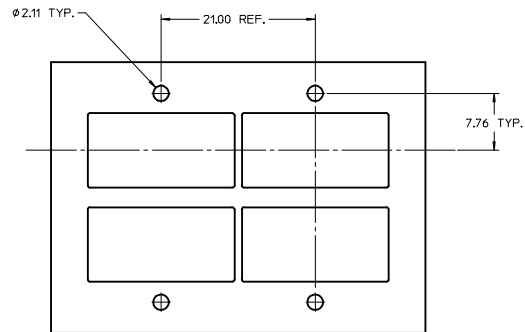
NOTE:
1. SEE QSFP MSA SPECIFICATION FOR BEZEL LOCATION TOLERANCE.
2. PCB THICKNESS VARIATION MUST BE CONSIDERED WHEN DETERMINING BEZEL OPENING, SIZE, AND LOCATION.

SEE REVISION SHEET IEC NO: CPG2015-1999 DRAWN: LERMIN 2014/10/13 CHECKED: GARDELLA 2014/10/13 APPR: BREED 2014/10/17	QUALITY SYMBOLS	GENERAL TOLERANCES (UNLESS SPECIFIED)	DIMENSION STYLE	SCALE	DESIGN UNITS	THIRD ANGLE PROJECTION
	▽=0	4 PLACES ± mm ± INCH	MM ONLY	1:1	METRIC	☉
	▽=0	3 PLACES ± 0.13 ± ---	DRAWN BY DATE	CHIRSCHY 2007/07/23	TITLE	
	▽=0	2 PLACES ± 0.25 ± ---	CHECKED BY DATE	BRUSSELL 2007/07/23	QSFP+ CAGE ASSEMBLY WITH SPRING FINGERS	
		ANGULAR ± 1 °	APPROVED BY DATE			
		DRAFT WHERE APPLICABLE MUST REMAIN WITHIN DIMENSIONS	MATERIAL NO.			
			SEE SHEET 3			
					DOCUMENT NO.	
					SD-74750-0021	
						SHEET NO.
						6 OF 8

BEZEL LIGHT PIPE CUTOUT POSITION DIMENSIONS
FOR SINGLE SIDE MOUNTING



BEZEL LIGHT PIPE CUTOUT POSITION DIMENSIONS
FOR BELLY-TO-BELLY MOUNTING



SEE REVISION SHEET IEC NO. CPG2015-1999 DRAWN BY: 2014/10/13 CHYK: 2014/10/13 APPR: BREED 2014/10/17	QUALITY SYMBOLS	GENERAL TOLERANCES (UNLESS SPECIFIED)	DIMENSION STYLE	SCALE	DESIGN UNITS	THIRD ANGLE PROJECTION
	$\nabla=0$	mm INCH	MM ONLY	3:1	METRIC	
	$\nabla=0$	4 PLACES ± --- ± ---	DRAWN BY DATE	TITLE		
	$\nabla=0$	3 PLACES ± --- ± ---	CHIRSCHY 2007/07/23	QSFP+ CAGE ASSEMBLY WITH SPRING FINGERS		
	2 PLACES ± 0.13 ± ---	CHECKED BY DATE	molex			
	1 PLACE ± 0.25 ± ---	BRUSSELL 2007/07/23	DOCUMENT NO. SD-74750-0021			
	0 PLACE ± --- ± ---	APPROVED BY DATE	SHEET NO. 7 OF 8			
	ANGULAR ± 1 °	RAHMOOD 2010/11/01	SEE SHEET 3			
	DRAFT WHERE APPLICABLE MUST REMAIN WITHIN DIMENSIONS	MATERIAL NO.	THIS DRAWING CONTAINS INFORMATION THAT IS PROPRIETARY TO MOLEX INCORPORATED AND SHOULD NOT BE USED WITHOUT WRITTEN PERMISSION			

DATE	REV	DESCRIPTION
2007/07/23	A	INITAL RELEASE
2007/08/06	B	CHANGED ALL TANGENT LINES FROM DASHED LINES TO SOLID LINES
2007/08/10	C	1. ADDED COMPONENT P/N COLUMN TO TABLE 2. ADDED 'COMPONENT' TO NOTE IN BOTTOM VIEW ON SHEET 1 3. CHANGED TEXT IN MATERIAL NO. SECTION OF TITLE BLOCK TO READ 'SEE TABLE'
2008/07/10	D	1. REMOVED COMMENTS FROM TABLE ON SHEET 1 2. ADDED 'HOLES OPTIONAL' NOTE TO PCB LAYOUT ON SHEET 2 AND SHEET 3 3. ADDED 747500024 TO TABLE ON SHEET 1 AS WELL AS ISO VIEW 4. UPDATED 'COMPONENT PART NUMBER AND DATE CODE' NOTE ON SHEET 1
2008/12/16	E	1. 20.4 DIMENSION WAS 20.38 REF. 2. 58.8 DIMENSION WAS 58.80 REF. 3. 2.28 TYP. DIMENSION WAS 2.28 REF. 4. 15.4 DIMENSION WAS 15.40 REF.
2009/04/13	F	1. REVISED COMPONENT P/N FOR MOLEX P/N 747500024 (CHANGED FROM 747540104 TO 747500104)
2010/10/29	G	1. 20.5 MAX DIMENSION WAS 20.4 2. 19.2 MAX DIMENSION WAS 16.2 MAX
2011/04/05	H	1. ADDED PRINTED DATE CODE TO LEFT SIDE OF CAGE AND ASSOCIATED NOTES. 2. ADDED CUTAWAY 1 AND CRITICAL TO FUNCTION DIMENSION 29.88 ±0.15, SHEET 1. 3. REMOVED 74750 FROM BOTTOM OF CAGE, SHEET 1. 4. UPDATED RoHS NOTE (NOTE 5) TO 'LEAD FREE, NO RoHS EXEMPTIONS' ON SHEET 1. 5. ADDED END VIEW, SHEET 1.
2012/04/13	I	1. ADDED 747500012 TO P/N TABLE, SHEET 1. 2. UPDATED BELLY-TO-BELLY CAGE VIEW, SHEET 3. 3. ADDED BELLY-TO-BELLY BEZEL AND DIMENSIONS, SHEET 3.
2013/01/10	J	1. ADDED 747500057 AND 747500058 INTO P/N TABLE, SHEET 3. 2. REARRANGE EACH SHEET
2013/04/09	K	1. ADDED P/N 747500062 TO CHART ON PAGE 3. 2. UPDATED DIMENSION 9.77 TO 9.76 BY CORRECTING PLACEMENT ON VIEWS SHEET 6.
2014/10/13	L	1. ADDED P/N 747501586 AND ISO VIEW TO SHEET 3.

SEE REVISION SHEET EC NO: CPG2015-1999 DRAWN: ERWIN 2014/10/13 CHECKED: GABRIELLA 2014/10/13 APPROVED: BREED 2014/10/17	QUALITY SYMBOLS ∇=0 ∇=0 ∇=0	GENERAL TOLERANCES (UNLESS SPECIFIED): mm INCH 4 PLACES ±--- ±--- 3 PLACES ±--- ±--- 2 PLACES ±0.13 ±--- 1 PLACE ±0.25 ±--- 0 PLACE ±--- ±---	DIMENSION STYLE MM ONLY	SCALE 1:1	DESIGN UNITS METRIC	THIRD ANGLE PROJECTION	
		DRAWN BY DATE CHIRSCHY 2007/07/23	CHECKED BY DATE BRUSSELL 2007/07/23	APPROVED BY DATE RMAHMOOD 2010/11/01	MATERIAL NO. SEE SHEET 3	DOCUMENT NO. SD-74750-0021	SHEET NO. 8 OF 8
		DRAFT WHERE APPLICABLE MUST REMAIN WITHIN DIMENSIONS					
		THIS DRAWING CONTAINS INFORMATION THAT IS PROPRIETARY TO MOLEX INCORPORATED AND SHOULD NOT BE USED WITHOUT WRITTEN PERMISSION					