

PART NO. AND WEEK/YEAR DATE CODE TO BE STAMPED ON THE SIDE OF COMPLETED CAGE ASSEMBLY APPROXIMATELY AS SHOWN

WEEK/YEAR DATE CODE TABLE	
WK	01 THRU 52 OR 53 EXAMPLE: 01 = FIRST WEEK OF YEAR 52= LAST WEEK OF THE YEAR
YR	17, 18, 19 ETC. EXAMPLE: YEAR 2017 = 17

NOTES:

- MATERIAL:
CAGE: NICKEL PLATED COPPER ALLOY, THICKNESS 0.25mm
SPRING FINGER: NICKEL PLATED COPPER ALLOY, THICKNESS 0.10mm
- PRESS FIT LEGS 3.05 LONG -
1.57 MINIMUM PCB THICKNESS FOR SINGLE SIDED USE
- PORTS ARE DESIGNED FOR SFP+ TRANSCEIVERS AND ARE BACKWARDS COMPATIBLE WITH SFP TRANSCEIVERS
- NO RoHS EXEMPTIONS.

THIS DRAWING CONTAINS INFORMATION THAT IS PROPRIETARY TO MOLEX ELECTRONIC TECHNOLOGIES, LLC AND SHOULD NOT BE USED WITHOUT WRITTEN PERMISSION

SEE REVISION TABLE EC NO: 114175 DRWN: PGSHETTY CHKD: DSUN15 REV / APPR: RCHEN08	GENERAL TOLERANCES (UNLESS SPECIFIED)		DIMENSION UNITS	SCALE	
	ANGULAR TOL ± 1.0 °		MM	3:1	
	4 PLACES ±	DRWN BY	DATE		
	3 PLACES ±	PGSHETTY	2017/01/25		
2 PLACES ± 0.15	CHKD BY	DATE		SFP+ 1X1 PCI CAGE WITH SPRING FINGERS PRESS FIT PRODUCT CUSTOMER DRAWING	
1 PLACE ± 0.25	DSUN15	2017/03/13			
0 PLACES ±	APPR BY	DATE			
	RCHEN08	2017/04/06			
DRAFT WHERE APPLICABLE MUST REMAIN WITHIN DIMENSIONS		DRAWING SIZE	THIRD ANGLE PROJECTION		SERIES
		C			74754
				DOCUMENT NUMBER	MATERIAL NUMBER
				747540104	747540104
				DOC TYPE	DOC PART
				PSD	ASY
				SHEET NUMBER	1 OF 4

PCB LAYOUT FOR SINGLE SIDE MOUNT

HATCHED AREA DENOTES COMPONENT AND TRACE KEEP-OUTS (EXCEPT CHASSIS GROUND)

10X $\varnothing 1.05 \pm 0.05$
(SHOWN AS \oplus)

$\oplus 0.1$ A B

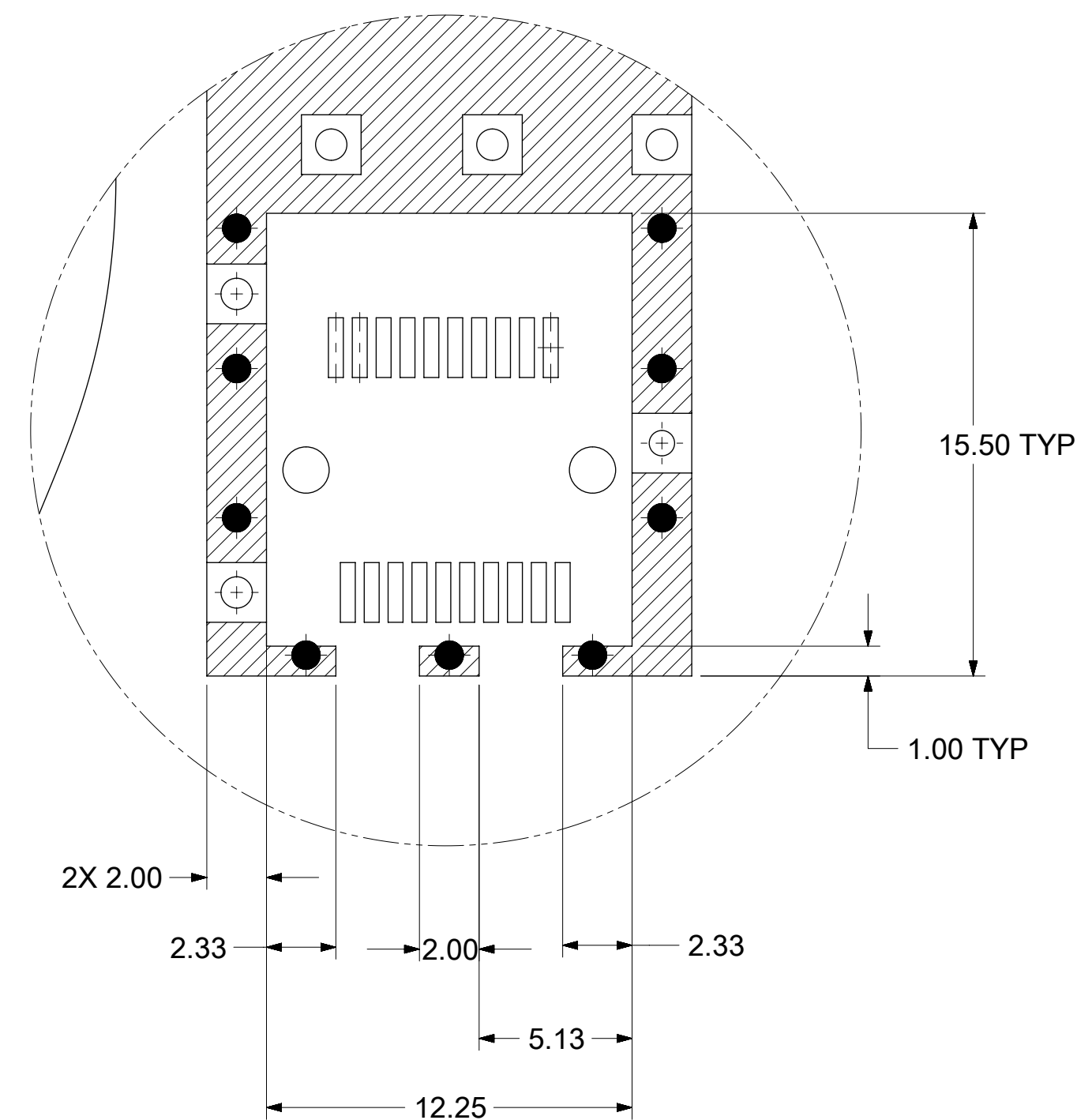
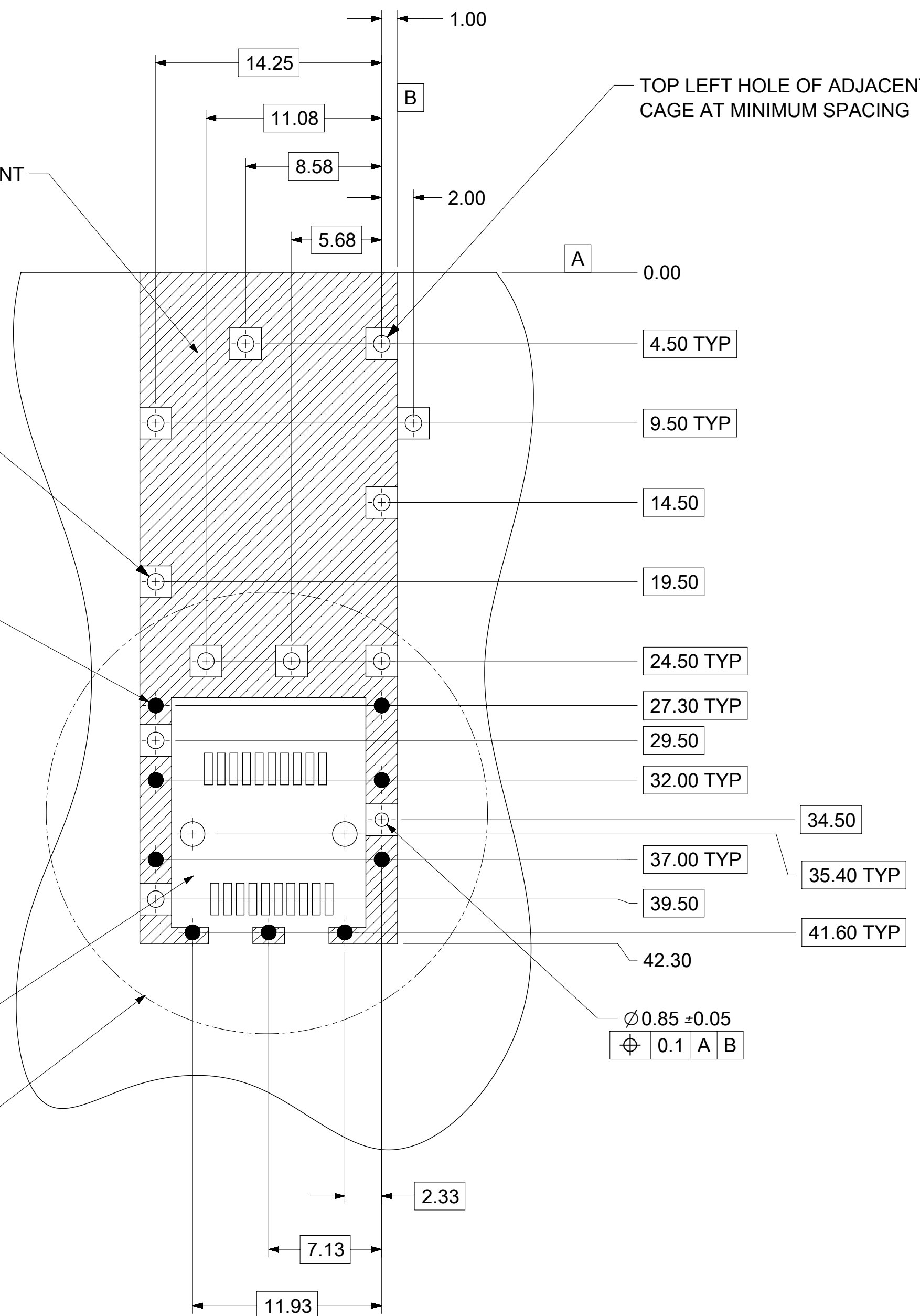
9X $\varnothing 0.95 \pm 0.05$
(SHOWN AS \bullet)

$\bullet 0.1$ A B

THIS AREA DENOTES COMPONENT KEEP-OUT (TRACES ALLOWED)

SEE DETAIL 1

TOP LEFT HOLE OF ADJACENT CAGE AT MINIMUM SPACING

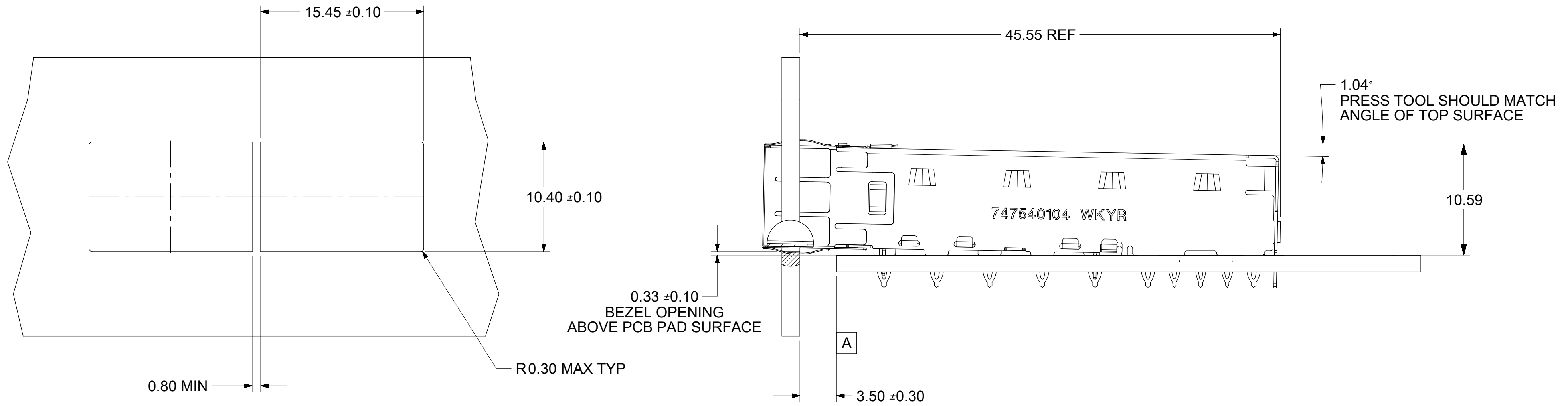


DETAIL 1
SCALE 10:1

THIS DRAWING CONTAINS INFORMATION THAT IS PROPRIETARY TO MOLEX ELECTRONIC TECHNOLOGIES, LLC AND SHOULD NOT BE USED WITHOUT WRITTEN PERMISSION

SEE REVISION TABLE	EC NO: 114175	2017/01/25	GENERAL TOLERANCES (UNLESS SPECIFIED)	DIMENSION UNITS	SCALE	molex SFP+ 1X1 PCI CAGE WITH SPRING FINGERS PRESS FIT	
	DRWN: PGSHETTY	2017/03/13		MM	4:1		
	CHKD: DSUN15	2017/04/06		ANGULAR TOL $\pm 1.0^\circ$	DRWN BY		DATE
	REV: APPR: RCHEN08			4 PLACES \pm	PGSHETTY		2017/01/25
				3 PLACES \pm	CHKD BY		DATE
		2 PLACES ± 0.15	2 PLACES ± 0.15	DSUN15	2017/03/13	PRODUCT CUSTOMER DRAWING	
		1 PLACE ± 0.25	1 PLACE ± 0.25	RCHEN08	2017/04/06		
		0 PLACES \pm	0 PLACES \pm				
		DRAFT WHERE APPLICABLE MUST REMAIN WITHIN DIMENSIONS	DRAWING SIZE	THIRD ANGLE PROJECTION		SERIES	
			C			MATERIAL NUMBER	
						CUSTOMER	
						74754	
						747540104	
						DOCUMENT NUMBER	
						747540104	
						DOC TYPE	
						PSD	
						DOC PART	
						ASY	
						SHEET NUMBER	
						2 OF 4	

BEZEL AND BOARD POSITION DIMENSIONS FOR SINGLE SIDE MOUNTING (SPRING FINGER)



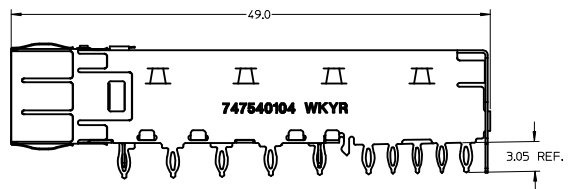
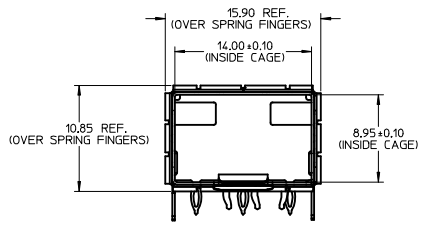
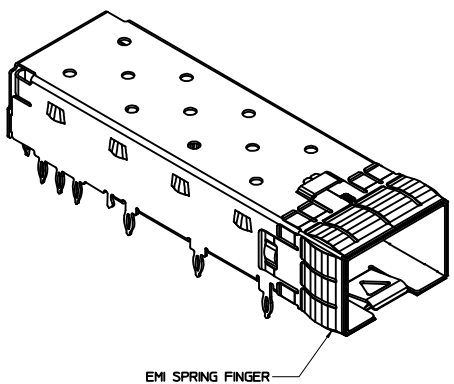
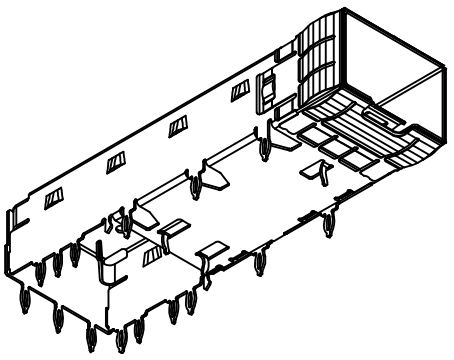
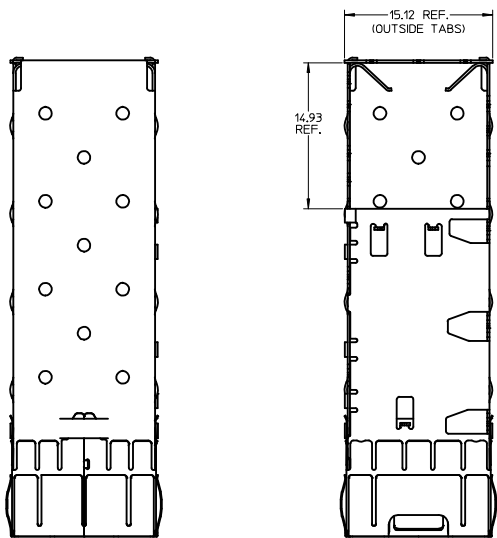
THIS DRAWING CONTAINS INFORMATION THAT IS PROPRIETARY TO MOLEX ELECTRONIC TECHNOLOGIES, LLC AND SHOULD NOT BE USED WITHOUT WRITTEN PERMISSION

SEE REVISION TABLE EC NO: 114175 DRWN: PGSHETTY CHKD: DSUN15 REV / APPR: RCHEN08	2017/01/25	GENERAL TOLERANCES (UNLESS SPECIFIED) ANGULAR TOL ± 1.0 ° 4 PLACES ± 3 PLACES ± 2 PLACES ± 0.15 1 PLACE ± 0.25 0 PLACES ± DRAFT WHERE APPLICABLE MUST REMAIN WITHIN DIMENSIONS	DIMENSION UNITS	SCALE		
	2017/03/13		MM	3.5:1		
	2017/04/06		DRWN BY	DATE		PGSHETTY 2017/01/25
	2017/04/06		CHKD BY	DATE		DSUN15 2017/03/13
2017/04/06	APPR BY	DATE	RCHEN08 2017/04/06	PRODUCT CUSTOMER DRAWING		
D	REV	C	DRAWING SIZE	THIRD ANGLE PROJECTION	SERIES	
11	11	11	C	C	74754	
11	11	11	C	C	747540104	
11	11	11	C	C	747540104	
11	11	11	C	C	747540104	
11	11	11	C	C	747540104	
11	11	11	C	C	747540104	
11	11	11	C	C	747540104	
11	11	11	C	C	747540104	
11	11	11	C	C	747540104	
11	11	11	C	C	747540104	
11	11	11	C	C	747540104	
11	11	11	C	C	747540104	
11	11	11	C	C	747540104	
11	11	11	C	C	747540104	
11	11	11	C	C	747540104	
11	11	11	C	C	747540104	
11	11	11	C	C	747540104	
11	11	11	C	C	747540104	
11	11	11	C	C	747540104	
11	11	11	C	C	747540104	
11	11	11	C	C	747540104	
11	11	11	C	C	747540104	
11	11	11	C	C	747540104	
11	11	11	C	C	747540104	
11	11	11	C	C	747540104	
11	11	11	C	C	747540104	
11	11	11	C	C	747540104	
11	11	11	C	C	747540104	
11	11	11	C	C	747540104	
11	11	11	C	C	747540104	
11	11	11	C	C	747540104	
11	11	11	C	C	747540104	
11	11	11	C	C	747540104	
11	11	11	C	C	747540104	
11	11	11	C	C	747540104	
11	11	11	C	C	747540104	
11	11	11	C	C	747540104	
11	11	11	C	C	747540104	
11	11	11	C	C	747540104	
11	11	11	C	C	747540104	
11	11	11	C	C	747540104	
11	11	11	C	C	747540104	
11	11	11	C	C	747540104	
11	11	11	C	C	747540104	
11	11	11	C	C	747540104	
11	11	11	C	C	747540104	
11	11	11	C	C	747540104	
11	11	11	C	C	747540104	
11	11	11	C	C	747540104	
11	11	11	C	C	747540104	
11	11	11	C	C	747540104	
11	11	11	C	C	747540104	
11	11	11	C	C	747540104	
11	11	11	C	C	747540104	
11	11	11	C	C	747540104	
11	11	11	C	C	747540104	
11	11	11	C	C	747540104	
11	11	11	C	C	747540104	
11	11	11	C	C	747540104	
11	11	11	C	C	747540104	
11	11	11	C	C	747540104	
11	11	11	C	C	747540104	
11	11	11	C	C	747540104	
11	11	11	C	C	747540104	
11	11	11	C	C	747540104	
11	11	11	C	C	747540104	
11	11	11	C	C	747540104	
11	11	11	C	C	747540104	
11	11	11	C	C	747540104	
11	11	11	C	C	747540104	
11	11	11	C	C	747540104	
11	11	11	C	C	747540104	
11	11	11	C	C	747540104	
11	11	11	C	C	747540104	
11	11	11	C	C	747540104	
11	11	11	C	C	747540104	
11	11	11	C	C	747540104	
11	11	11	C	C	747540104	
11	11	11	C	C	747540104	
11	11	11	C	C	747540104	
11	11	11	C	C	747540104	
11	11	11	C	C	747540104	
11	11	11	C	C	747540104	
11	11	11	C	C	747540104	
11	11	11	C	C	747540104	
11	11	11	C	C	747540104	
11	11	11	C	C	747540104	
11	11	11	C	C	747540104	
11	11	11	C	C	747540104	
11	11	11	C	C	747540104	
11	11	11	C	C	747540104	
11	11	11	C	C	747540104	
11	11	11	C	C	747540104	
11	11	11	C	C	747540104	
11	11	11	C	C	747540104	
11	11	11	C	C	747540104	
11	11	11	C	C	747540104	
11	11	11	C	C	747540104	
11	11	11	C	C	747540104	
11	11	11	C	C	747540104	
11	11	11	C	C	747540104	
11	11	11	C	C	747540104	
11	11	11	C	C	747540104	
11	11	11	C	C	747540104	
11	11	11	C	C	747540104	
11	11	11	C	C	747540104	
11	11	11	C	C	747540104	
11	11	11	C	C	747540104	
11	11	11	C	C	747540104	
11	11	11	C	C	747540104	
1						

REV	DATE	DESCRIPTION
A	2007/05/23	INITIAL RELEASE
B	2008/03/26	REVISED
C	2013/07/22	REGENERATED ISO VIEW
D	2017/01/20	REMASTERED FROM "SD-74754-0104 REV_C" TO "747540104 PSD ASY REV_D" IN NX SHEET 1 : B7 : ADDED DATE CODE TABLE SHEET 3 : E8 : ADDED DIM R 0.30 MAX TYP

THIS DRAWING CONTAINS INFORMATION THAT IS PROPRIETARY TO MOLEX ELECTRONIC TECHNOLOGIES, LLC AND SHOULD NOT BE USED WITHOUT WRITTEN PERMISSION

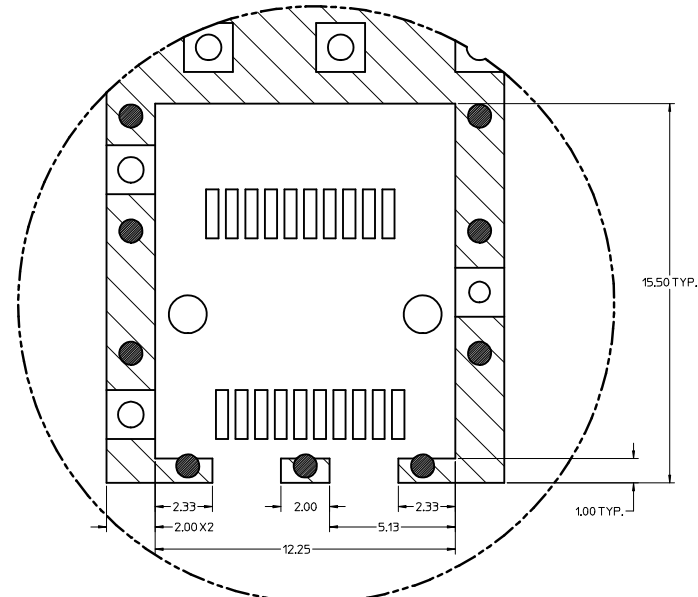
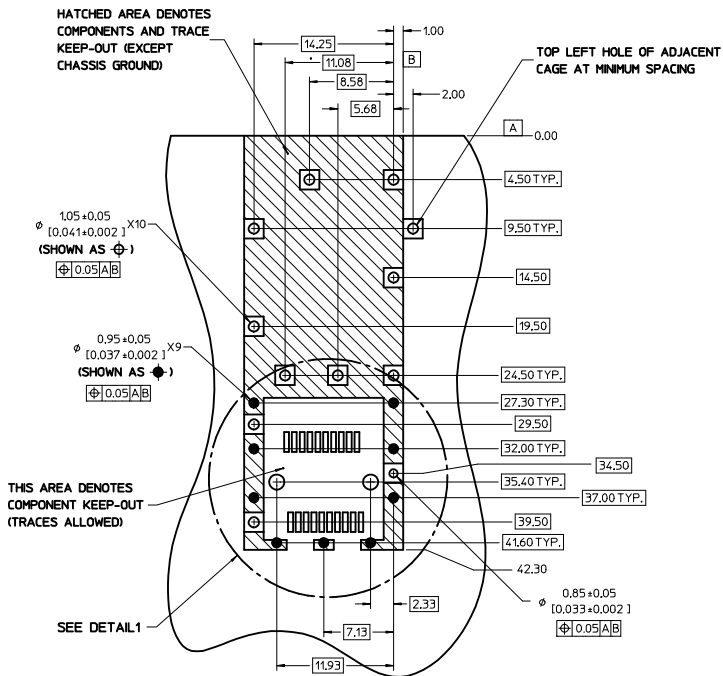
SEE REVISION TABLE	EC NO: 114175	2017/01/25	GENERAL TOLERANCES (UNLESS SPECIFIED)	DIMENSION UNITS	SCALE	molex SFP+ 1X1 PCI CAGE WITH SPRING FINGERS PRESS FIT				
	DRWN: PGSHETTY	2017/03/13		MM	1:1					
	CHKD: DSUN15	2017/04/06		ANGULAR TOL ± 1.0 °	DRWN BY		DATE			
	REV / APPR: RCHEN08			4 PLACES ±	PGSHETTY		2017/01/25			
				3 PLACES ±	CHKD BY		DATE			
				2 PLACES ± 0.15	DSUN15		2017/03/13			
				1 PLACE ± 0.25	APPR BY		DATE			
				0 PLACES ±	RCHEN08		2017/04/06			
				DRAFT WHERE APPLICABLE MUST REMAIN WITHIN DIMENSIONS	DRAWING SIZE		THIRD ANGLE PROJECTION	SERIES	MATERIAL NUMBER	CUSTOMER
					C			74754	747540104	
					DOCUMENT NUMBER	DOC TYPE	DOC PART	SHEET NUMBER		
					747540104	PSD	ASY	4 OF 4		



- NOTES:**
- MATERIAL:**
 CAGE: NICKEL PLATED COPPER ALLOY, THICKNESS 0.25mm
 SPRING FINGER: NICKEL PLATED COPPER ALLOY, THICKNESS 0.10mm
 - PRESS FIT LEGS 3.05 LONG -
 1.57 MINIMUM PCB THICKNESS FOR SINGLE SIDED USE
 - PORTS ARE DESIGNED FOR SFP+ TRANSCEIVERS AND ARE BACKWARDS COMPATIBLE WITH SFP TRANSCEIVERS
 - NO RoHS EXEMPTIONS.

UPDATE ISO VIEW IEC NO: CPG2014-0215 DRAWNSYANG16 2013/07/22 CHKD: APPR:RTSAL 2013/07/22	QUALITY SYMBOLS	GENERAL TOLERANCES (UNLESS SPECIFIED)	DIMENSION STYLE	SCALE	DESIGN UNITS	THIRD ANGLE PROJECTION	
	▽=0	4 PLACES ± mm ± INCH	MM ONLY	4:1	METRIC		
	▽=0	3 PLACES ± --- ± ---					
	▽=0	2 PLACES ± 0.15 ± ---					
		1 PLACE ± 0.25 ± ---					
		0 PLACE ± ±					
		ANGULAR ± 1 °					
		DRAFT WHERE APPLICABLE MUST REMAIN WITHIN DIMENSIONS					
			MATERIAL NO.	DOCUMENT NO.		SHEET NO.	
			747540104	SD-74754-0104		1 OF 4	
			THIS DRAWING CONTAINS INFORMATION THAT IS PROPRIETARY TO MOLEX INCORPORATED AND SHOULD NOT BE USED WITHOUT WRITTEN PERMISSION				

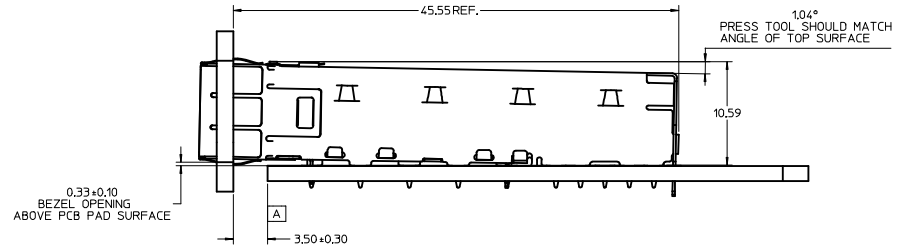
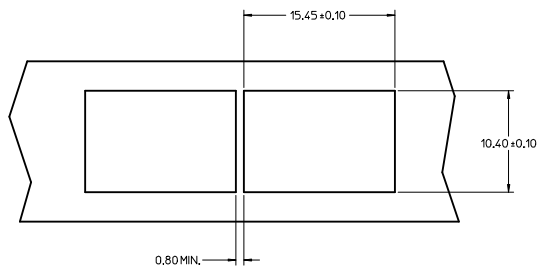
PCB LAYOUT FOR SINGLE SIDE MOUNT



DETAIL1
SCALE 10:1
HOST CONNECTOR DETAIL

UPDATE ISO VIEW EC NO: CPG2014-0215 DRAWN BY: CHYD APPR: RYSAI 2013/07/22	QUALITY SYMBOLS	GENERAL TOLERANCES (UNLESS SPECIFIED)	DIMENSION STYLE	SCALE	DESIGN UNITS	THIRD ANGLE PROJECTION
	▽=0	4 PLACES ± mm	MM ONLY	4:1	METRIC	☉
	▽=0	3 PLACES ± 0.15				
	▽=0	2 PLACES ± 0.25				
		ANGULAR ± 1 °	DRAWN BY: PSYTSMA	DATE: 2007/05/23	TITLE: SFP+ 1X1 PCI CAGE WITH SPRING FINGERS PRESS FIT	
		DRAFT WHERE APPLICABLE MUST REMAIN WITHIN DIMENSIONS	CHECKED BY: BRUSSELL	DATE: 2007/05/23	molex DOCUMENT NO: SD-74754-0104 SHEET NO: 2 OF 4	
			APPROVED BY: BRUSSELL	DATE: 2007/05/23		
			MATERIAL NO: 747540104			

BEZEL AND BOARD POSITION DIMENSIONS FOR SINGLE SIDE MOUNTING
(SPRING FINGER)



UPDATE ISO VIEW EC NO: CPG2014-0215 DRAWN BY: CHYK APPR: T. SAI 2013/07/22	QUALITY SYMBOLS ∇=0 ∇=0 ∇=0	GENERAL TOLERANCES (UNLESS SPECIFIED)		DIMENSION STYLE MM ONLY	SCALE 4:1	DESIGN UNITS METRIC	THIRD ANGLE PROJECTION
		4 PLACES ± --- ± --- 3 PLACES ± --- ± --- 2 PLACES ± 0.15 ± --- 1 PLACE ± 0.25 ± --- 0 PLACE ± ±	mm INCH ± --- ± --- ± --- ± --- ± --- ± --- ± --- ± ---	DRAWN BY PSYTSMA 2007/05/23	DATE 2007/05/23	TITLE SFP+ 1X1 PCI CAGE WITH SPRING FINGERS PRESS FIT	molex
DRAFT WHERE APPLICABLE MUST REMAIN WITHIN DIMENSIONS		ANGULAR ± 1 °		MATERIAL NO. 747540104	DOCUMENT NO. SD-74754-0104		
				THIS DRAWING CONTAINS INFORMATION THAT IS PROPRIETARY TO MOLEX INCORPORATED AND SHOULD NOT BE USED WITHOUT WRITTEN PERMISSION			SHEET NO. 3 OF 4

