

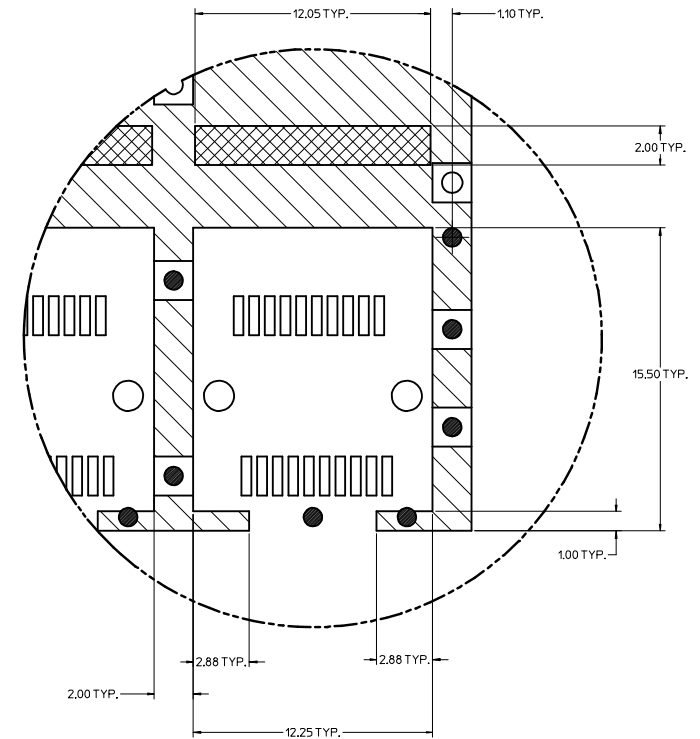
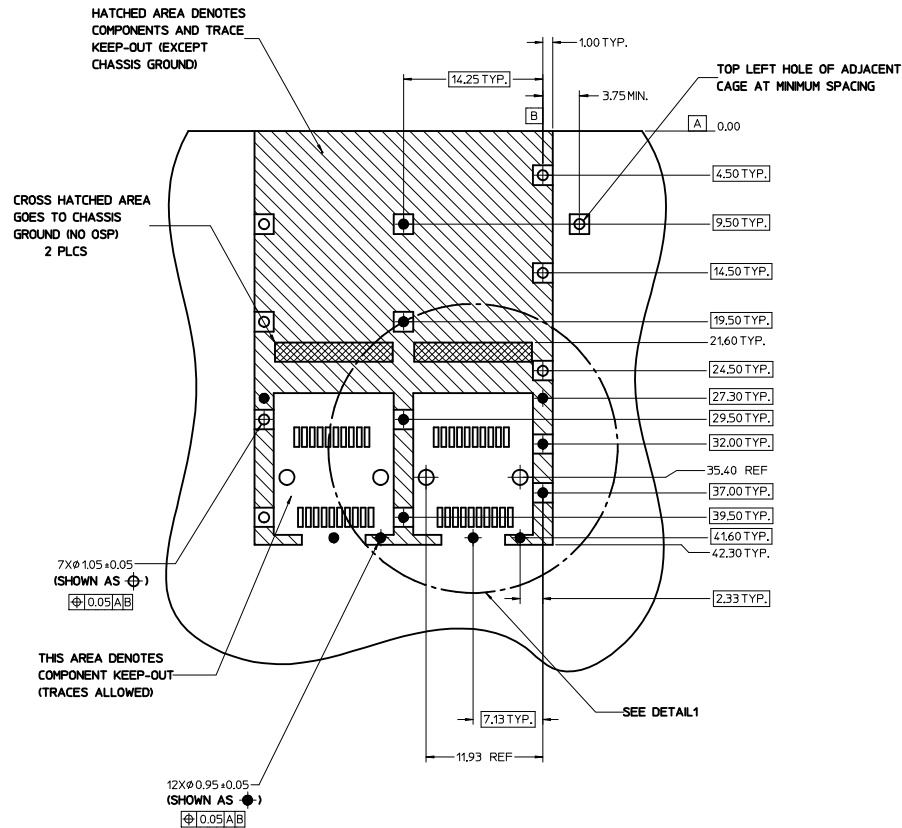
| PART NUMBER | DIM A | MIN. PCB THICKNESS FOR SINGLE SIDED | MIN. PCB THICKNESS FOR BELLY TO BELLY | ELASTOMERIC GASKET FLAMMABILITY RATING |
|-------------|-------|-------------------------------------|---------------------------------------|--|
| 747540210 | 3.05 | 1.57 | 3.00 | |
| 747540212 | 2.28 | | 2.28 | |
| 747540229 | 3.05 | | 3.00 | EQUATE TO UL94 V-0 |

| WEEK/YEAR DATE CODE | |
|---------------------|--|
| WK | 01 THRU 52 EXAMPLE: 01 = FIRST WEEK OF YEAR 52-LAST WEEK OF YEAR |
| YR | 11, 12, 13, ETC. EXAMPLE: 2013 = 13 |

- NOTES:
- MATERIAL:
CAGE: NICKEL PLATED COPPER ALLOY, THICKNESS 0.25mm.
EMI GASKET: CONDUCTIVE ELASTOMER O-RING.
 - OPTIONAL LIGHT PIPE ASSEMBLY AVAILABLE.
 - PORTS ARE DESIGNED FOR SFP+ TRANSCEIVERS AND ARE COMPATIBLE WITH SFP TRANSCEIVERS.
 - NO RoHS EXEMPTIONS.

| | | | | | | | | | |
|---|--------------------------------------|---|---|---|--------------|-------------------------------|------------------------|-------------------------------|---------------------|
| SEE REVISION TABLE EC NO: CPG2014-3461 DRAWN BY: CHYKORCHEN08 CHECKED BY: APPR:CHEN08 DATE: 2014/05/12 DATE: 2014/07/10 | QUALITY SYMBOLS ∇=0 ∇=0 ∇=0 | GENERAL TOLERANCES (UNLESS SPECIFIED): mm INCH | | DIMENSION STYLE MM ONLY | SCALE 3:1 | DESIGN UNITS METRIC | THIRD ANGLE PROJECTION | | |
| | | 4 PLACES ±--- ±--- 3 PLACES ±--- ±--- 2 PLACES ±0.15 ±--- 1 PLACE ±0.25 ±--- 0 PLACE ± ± | DRAWN BY: PSYTSMA CHECKED BY: RMAHMOOD APPROVED BY: BRUSSELL DATE: 5/14/07 DATE: 5/14/07 DATE: 5/14/07 | TITLE SFP+ 1X2 CAGE ASSY W/ ELASTOMER GASKET | | MATERIAL NO. SEE P/N TABLE | | DOCUMENT NO. SD-74754-0210 | SHEET NO. 1 OF 5 |
| | | ANGULAR ±1/2° DRAFT WHERE APPLICABLE MUST REMAIN WITHIN DIMENSIONS | | THIS DRAWING CONTAINS INFORMATION THAT IS PROPRIETARY TO MOLEX INCORPORATED AND SHOULD NOT BE USED WITHOUT WRITTEN PERMISSION | | | | | |
| | | SIZE D | | | | | | | |

PCB LAYOUT FOR SINGLE SIDE MOUNT



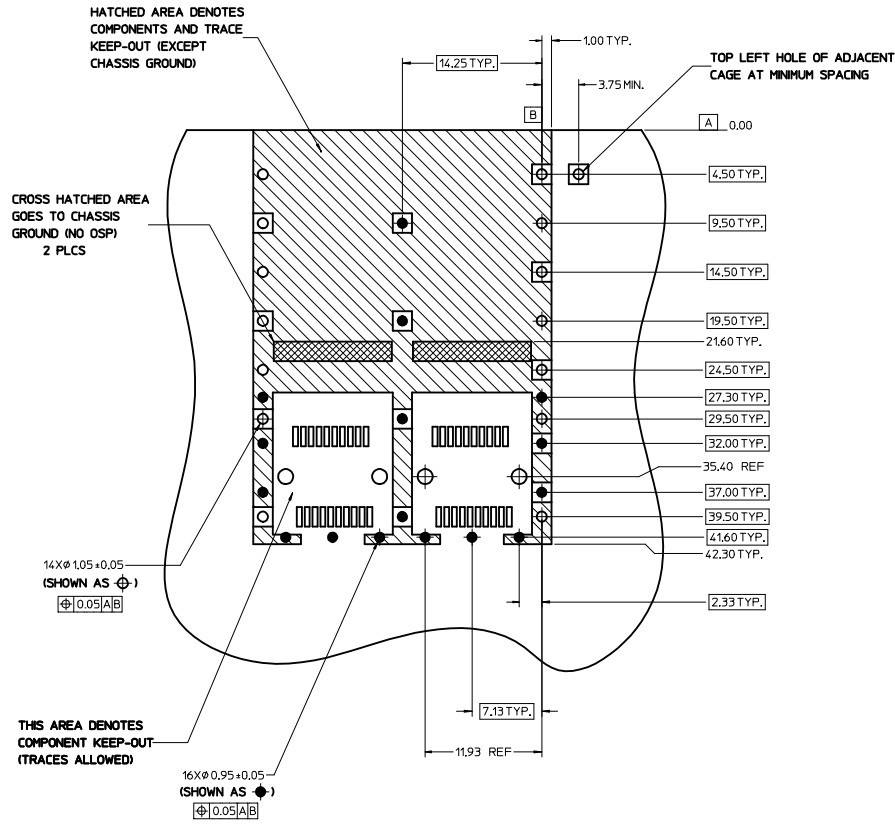
DETAIL 1
SCALE 8:1
HOST CONNECTOR DETAIL

NOTES:

1. PADS AND VIAS CONNECT TO CHASSIS GROUND (RECOMMEND PADS TO BE 2.00mm SQUARE)
2. RECOMMENDED THRU HOLE PLATING INCLUDES HASL, OSP, OR IMMERSION (GOLD, SILVER, OR TIN).
3. CONNECTOR PAD LAYOUT PER SFP+ MSA WILL ACCOMMODATE MOLEX CONNECTOR SERIES 74441 OR EQUIVALENT.
4. HOLE PATTERN REPEATS FOR EACH PORT. SPACING BETWEEN PORTS IS 14.25mm.

| | | | | | | |
|--|-----------------|--|-----------------------|---------------|---|------------------------|
| SEE REVISION TABLE EC NO: CPG2014-3461 DRAWN BY: DRWNLU20 CHECKED BY: CHYKORCHEN08 APPROVED BY: APPR:CHEN08 DATE: 2014/05/12 DATE: 2014/05/12 DATE: 2014/07/10 | QUALITY SYMBOLS | GENERAL TOLERANCES (UNLESS SPECIFIED) | DIMENSION STYLE | SCALE | DESIGN UNITS | THIRD ANGLE PROJECTION |
| | ▽=0 | mm | MM ONLY | 1:1 | METRIC | ⊕ |
| | ▽=0 | INCH | PSYTSMA | DATE | | |
| | ▽=0 | DRAFT WHERE APPLICABLE MUST REMAIN WITHIN DIMENSIONS | DATE | | | |
| | | ANGULAR ±1/2° | MATERIAL NO. | DOCUMENT NO. | TITLE | |
| | | | SEE P/N TABLE | SD-74754-0210 | SFP+ 1X2 CAGE ASSY W/ ELASTOMER GASKET | |
| | | | DATE | | molex | |
| | | | APPROVED BY: BRUSSELL | DATE: 5/14/07 | SHEET NO. 2 OF 5 | |
| | | | | | THIS DRAWING CONTAINS INFORMATION THAT IS PROPRIETARY TO MOLEX INCORPORATED AND SHOULD NOT BE USED WITHOUT WRITTEN PERMISSION | |

PCB LAYOUT FOR BELLY TO BELLY MOUNTING



NOTE:
SEE SHEET 2 FOR
HOST CONNECTOR DETAIL

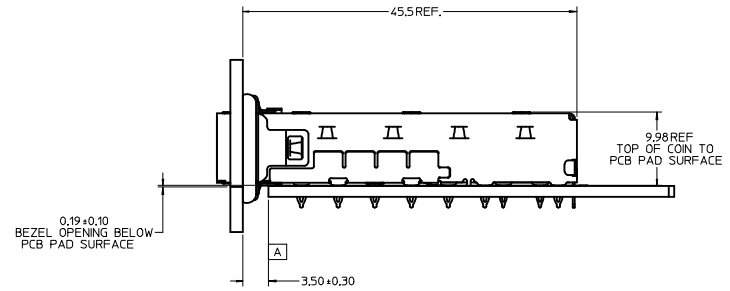
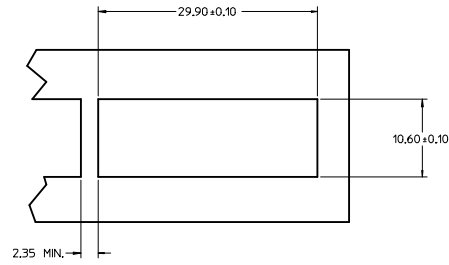
NOTES:

1. PADS AND VIAS CONNECT TO CHASSIS GROUND (RECOMMEND PADS TO BE 2.00mm SQUARE).
2. RECOMMENDED THRU HOLE PLATING INCLUDES HASL, OSP, OR IMMERSION (GOLD, SILVER, OR TIN).
3. CONNECTOR PAD LAYOUT PER SFP+ MSA WILL ACCOMMODATE MOLEX CONNECTOR SERIES 74441 OR EQUIVALENT.
4. HOLE PATTERN REPEATS FOR EACH PORT. SPACING BETWEEN PORTS IS 14.25mm.

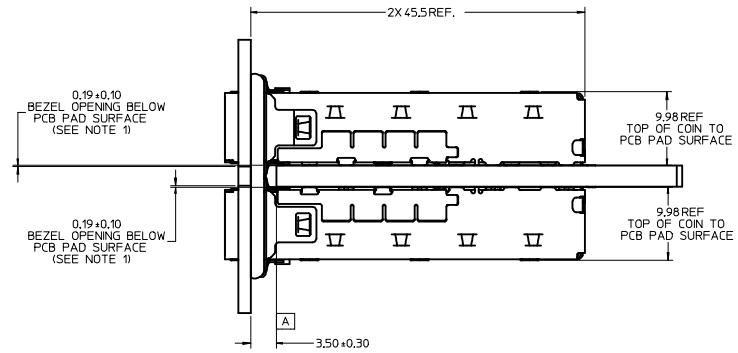
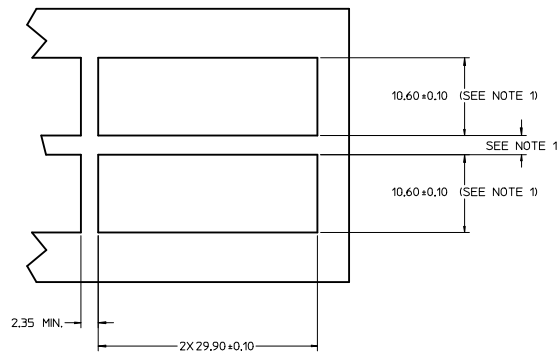
| | | | | | | |
|--|--|---------------------------------------|-----------------------|---------------|---|------------------------|
| SEE REVISION TABLE IEC NO: CPG2014-3461 DRAWN BY: CHYKORCHEN08 CHECKED BY: APPRCHEN08 DATE: 2014/05/12 DATE: 2014/07/10 | QUALITY SYMBOLS | GENERAL TOLERANCES (UNLESS SPECIFIED) | DIMENSION STYLE | SCALE | DESIGN UNITS | THIRD ANGLE PROJECTION |
| | ▽=0 | mm INCH | MM ONLY | 1:1 | METRIC | |
| | ▽=0 | 4 PLACES ± | DRAWN BY: PSYTSMA | DATE: 5/14/07 | TITLE: SFP+ 1X2 CAGE ASSY W/ ELASTOMER GASKET | |
| | ▽=0 | 3 PLACES ± | CHECKED BY: RMAHMOOD | DATE: 5/14/07 | molex | |
| | 2 PLACES ± | 1 PLACE ± | APPROVED BY: BRUSSELL | DATE: 5/14/07 | MATERIAL NO. | DOCUMENT NO. |
| | 1 PLACE ± | 0 PLACE ± | ANGULAR ±1/2° | | SEE P/N TABLE | SD-74754-0210 |
| | DRAFT WHERE APPLICABLE MUST REMAIN WITHIN DIMENSIONS | | SIZE D | | THIS DRAWING CONTAINS INFORMATION THAT IS PROPRIETARY TO MOLEX INCORPORATED AND SHOULD NOT BE USED WITHOUT WRITTEN PERMISSION | |

SHEET NO. 3 OF 5

BEZEL AND BOARD POSITION DIMENSIONS FOR SINGLE SIDE MOUNTING
(GASKET)

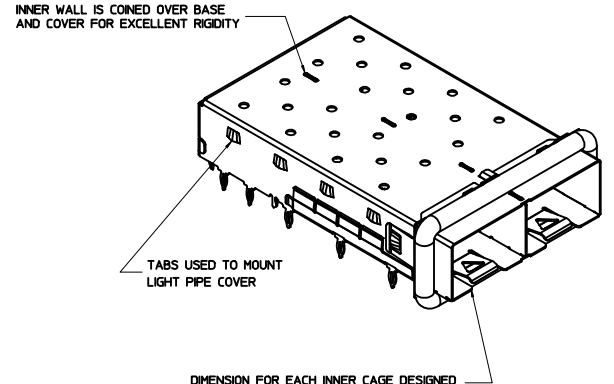
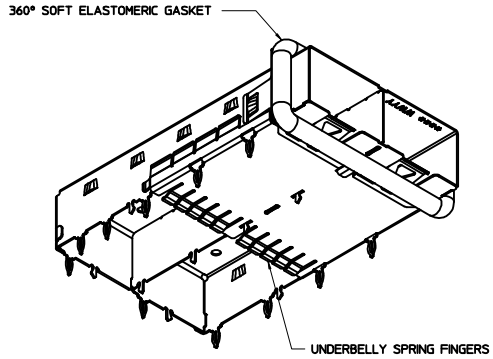
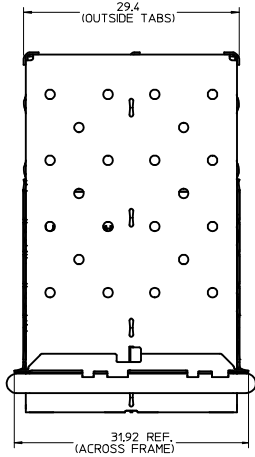


BEZEL AND BOARD POSITION DIMENSIONS FOR BELLY TO BELLY MOUNTING
(GASKET)

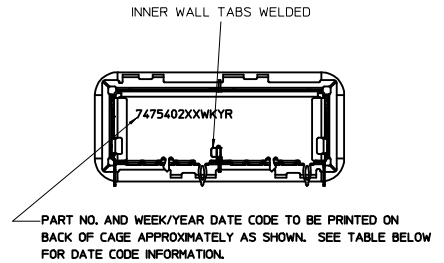
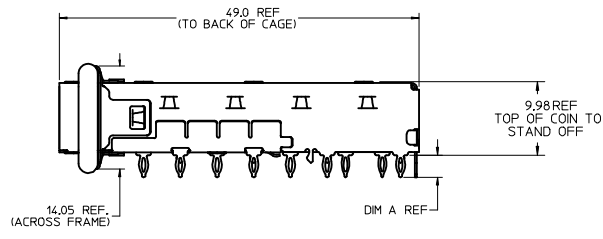
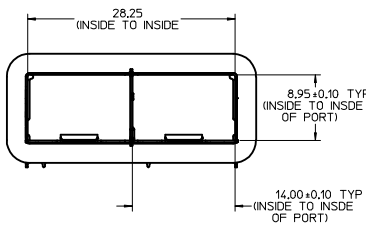


NOTE:
1. PCB THICKNESS VARIATION MUST BE CONSIDERED WHEN DETERMINING BEZEL OPENING, SIZE, AND LOCATION.

| | | | | | | | |
|--|-----------------|--|---|---------------|--|------------------------|--|
| SEE REVISION TABLE EC NO: CPG2014-3461 TDRWNLU20 2014/05/12 CHYKORCHEN08 2014/05/12 APPR:RCHEN08 2014/07/10 | QUALITY SYMBOLS | GENERAL TOLERANCES (UNLESS SPECIFIED) | DIMENSION STYLE | SCALE | DESIGN UNITS | THIRD ANGLE PROJECTION | |
| | ▽=0 | 4 PLACES ± mm ± INCH | MM ONLY | 3:1 | METRIC | | |
| | ▽=0 | 3 PLACES ± 0.15 | | | | | |
| | ▽=0 | 2 PLACES ± 0.25 | | | | | |
| | | ANGULAR ±1/2° | | | | | |
| | | DRAFT WHERE APPLICABLE MUST REMAIN WITHIN DIMENSIONS | | | | | |
| | | | DRAWN BY | DATE | TITLE | | |
| | | | PSYTSMA | 5/14/07 | SFP+ 1X2 CAGE ASSY W/ ELASTOMER GASKET | | |
| | | | CHECKED BY | DATE | | | |
| | | | RMAHMOOD | 5/14/07 | | | |
| | | | APPROVED BY | DATE | | | |
| | | | BRUSSELL | 5/14/07 | | | |
| | | | MATERIAL NO. | DOCUMENT NO. | SHEET NO. | | |
| | | | SEE P/N TABLE | SD-74754-0210 | 4 OF 5 | | |
| | | | THIS DRAWING CONTAINS INFORMATION THAT IS PROPRIETARY TO MOLEX INCORPORATED AND SHOULD NOT BE USED WITHOUT WRITTEN PERMISSION | | | | |



DIMENSION FOR EACH INNER CAGE DESIGNED TO FUNCTION WITH SMALL FORM-FACTOR PLUGGABLE PLUS (SFP+) TRANSCEIVER



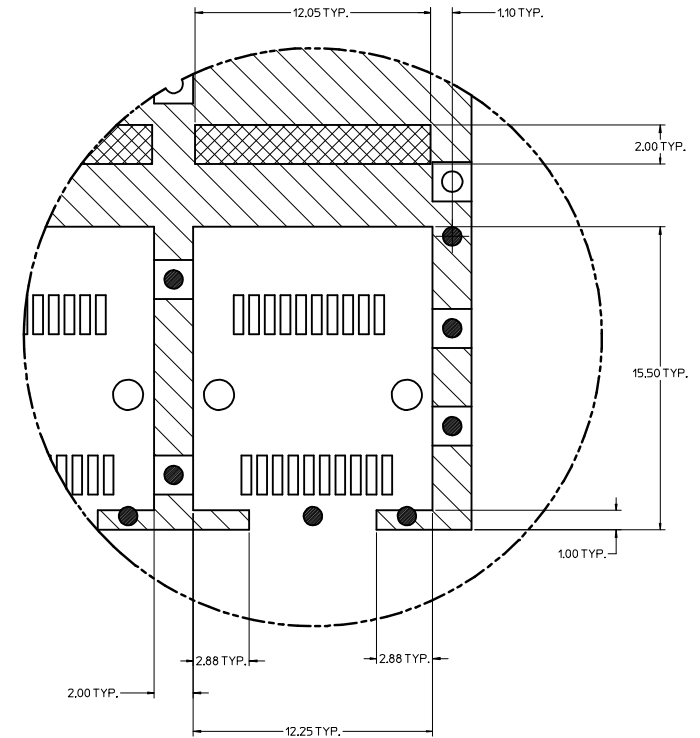
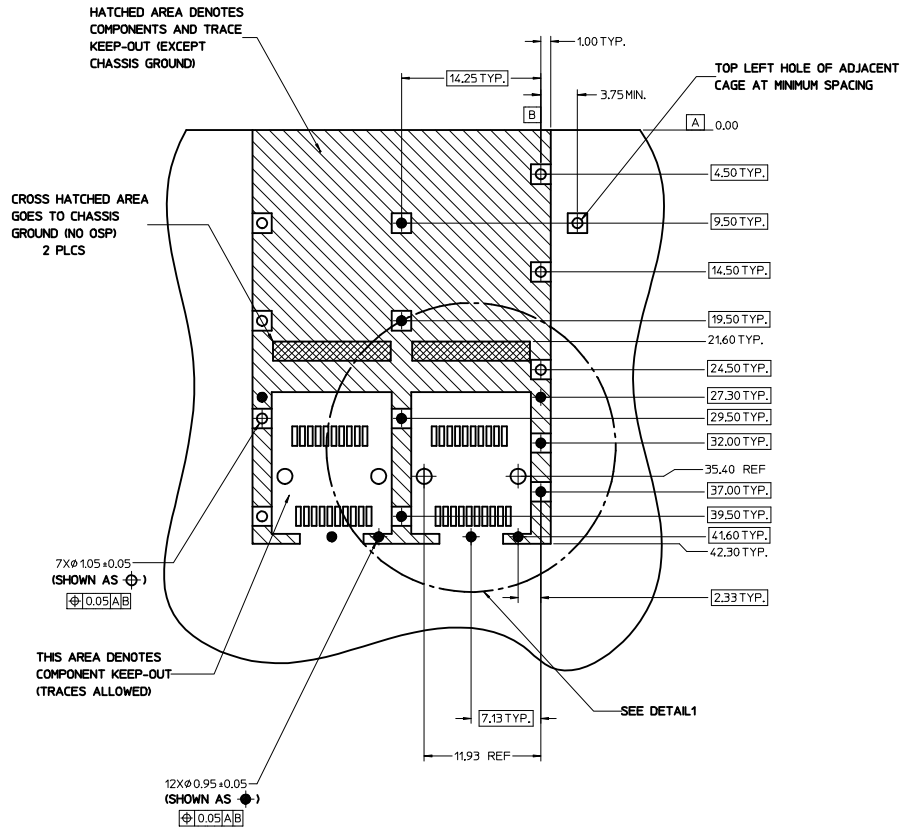
| PART NUMBER | DIM A | MIN. PCB THICKNESS FOR SINGLE SIDED | MIN. PCB THICKNESS FOR BELLY TO BELLY | ELASTOMERIC GASKET FLAMMABILITY RATING |
|-------------|-------|-------------------------------------|---------------------------------------|--|
| 747540210 | 3.05 | 1.57 | 3.00 | |
| 747540212 | 2.28 | | 2.28 | |
| 747540229 | 3.05 | | 3.00 | EQUATE TO UL94 V-0 |

| WEEK/YEAR DATE CODE | |
|---------------------|--|
| WK | 01 THRU 52 EXAMPLE: 01 = FIRST WEEK OF YEAR 52-LAST WEEK OF YEAR |
| YR | 11, 12, 13, ETC. EXAMPLE: 2013 = 13 |

- NOTES:
- MATERIAL:
CAGE: NICKEL PLATED COPPER ALLOY, THICKNESS 0.25mm.
EMI GASKET: CONDUCTIVE ELASTOMER O-RING.
 - OPTIONAL LIGHT PIPE ASSEMBLY AVAILABLE.
 - PORTS ARE DESIGNED FOR SFP+ TRANSCEIVERS AND ARE COMPATIBLE WITH SFP TRANSCEIVERS.
 - NO RoHS EXEMPTIONS.

| | | | | | | |
|--|-----------------|--|------------------|-------|--------------|------------------------|
| SEE REVISION TABLE EC NO: CPG2014-3461 DRAWN BY: CHYORCHEN08 CHECKED BY: APPR:CHEN08 DATE: 2014/05/12 DATE: 2014/07/10 | QUALITY SYMBOLS | GENERAL TOLERANCES (UNLESS SPECIFIED) | DIMENSION STYLE | SCALE | DESIGN UNITS | THIRD ANGLE PROJECTION |
| | ▽=0 | mm INCH | MM ONLY | 3:1 | METRIC | |
| | ▽=0 | 4 PLACES ± --- ± --- | DRAWN BY DATE | | | |
| | ▽=0 | 3 PLACES ± --- ± --- | PSYTSMA 5/14/07 | | | |
| | | DRAFT WHERE APPLICABLE MUST REMAIN WITHIN DIMENSIONS | APPROVED BY DATE | | | |
| | | | BRUSSELL 5/14/07 | | | |
| | | | MATERIAL NO. | | | |
| | | | SEE P/N TABLE | | | |
| | | | DOCUMENT NO. | | | |
| | | | SD-74754-0210 | | | |
| | | | SHEET NO. | | | |
| | | | 1 OF 5 | | | |

PCB LAYOUT FOR SINGLE SIDE MOUNT



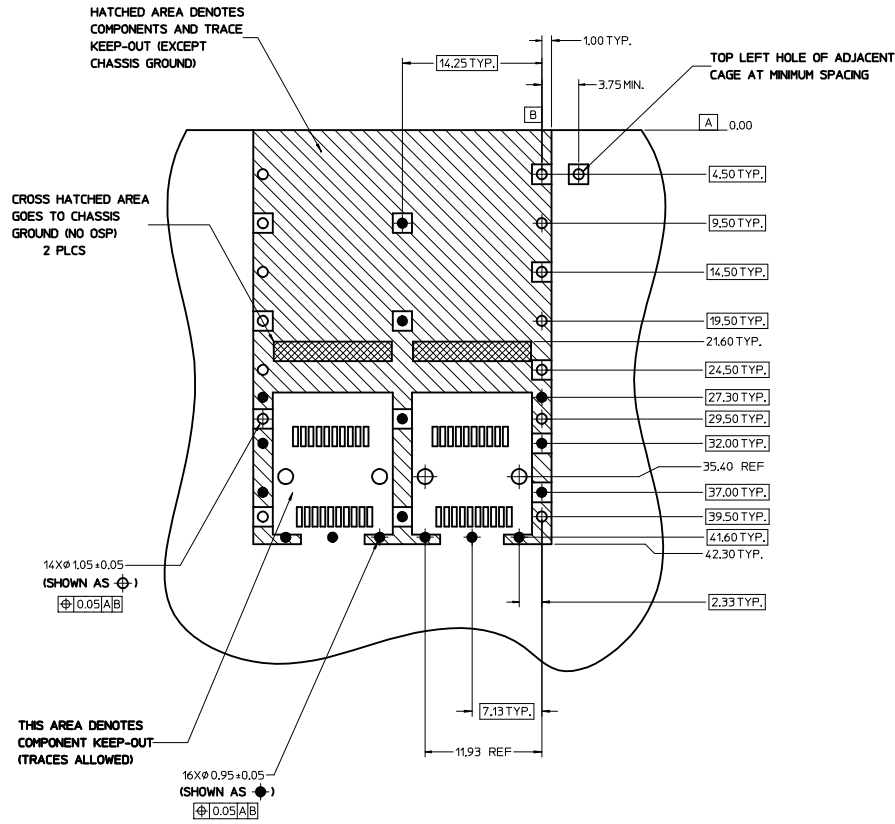
DETAIL 1
SCALE 8:1
HOST CONNECTOR DETAIL

NOTES:

1. PADS AND VIAS CONNECT TO CHASSIS GROUND (RECOMMEND PADS TO BE 2.00mm SQUARE)
2. RECOMMENDED THRU HOLE PLATING INCLUDES HASL, OSP, OR IMMERSION (GOLD, SILVER, OR TIN).
3. CONNECTOR PAD LAYOUT PER SFP+ MSA WILL ACCOMMODATE MOLEX CONNECTOR SERIES 74441 OR EQUIVALENT.
4. HOLE PATTERN REPEATS FOR EACH PORT. SPACING BETWEEN PORTS IS 14.25mm.

| | | | | | | |
|--|-----------------|--|----------------------------|---------------|---|------------------------|
| SEE REVISION TABLE EC NO: CPG2014-3461 DRAWN BY: DRWNLU20 CHECKED BY: CHYKORCHEN08 APPROVED BY: APPR:CHEN08 DATE: 2014/05/12 DATE: 2014/05/12 DATE: 2014/07/10 | QUALITY SYMBOLS | GENERAL TOLERANCES (UNLESS SPECIFIED) | DIMENSION STYLE | SCALE | DESIGN UNITS | THIRD ANGLE PROJECTION |
| | ▽=0 | mm | MM ONLY | 1:1 | METRIC | ⊕ |
| | ▽=0 | INCH | | | | |
| | ▽=0 | | | | | |
| | | ANGULAR ±1/2° | DRAWN BY: PSYTSMA | DATE: 5/14/07 | TITLE: SFP+ 1X2 CAGE ASSY W/ ELASTOMER GASKET | |
| | | DRAFT WHERE APPLICABLE MUST REMAIN WITHIN DIMENSIONS | CHECKED BY: RMAHMOOD | DATE: 5/14/07 | molex DOCUMENT NO. SD-74754-0210 SHEET NO. 2 OF 5 | |
| | | | APPROVED BY: BRUSSELL | DATE: 5/14/07 | | |
| | | | MATERIAL NO. SEE P/N TABLE | | THIS DRAWING CONTAINS INFORMATION THAT IS PROPRIETARY TO MOLEX INCORPORATED AND SHOULD NOT BE USED WITHOUT WRITTEN PERMISSION | |

PCB LAYOUT FOR BELLY TO BELLY MOUNTING



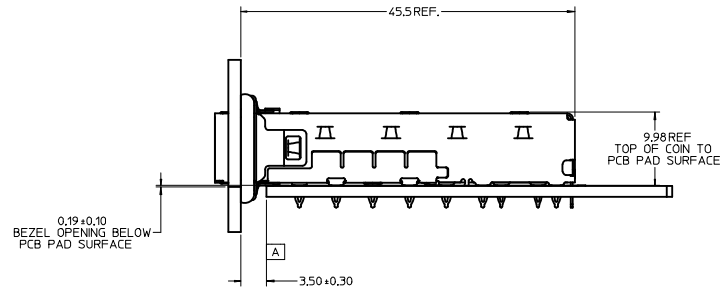
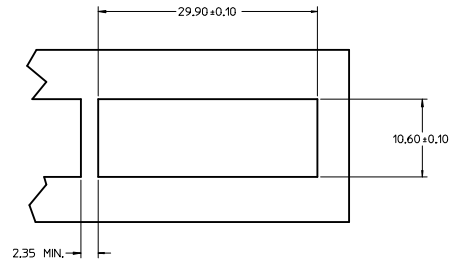
NOTE:
SEE SHEET 2 FOR
HOST CONNECTOR DETAIL

NOTES:

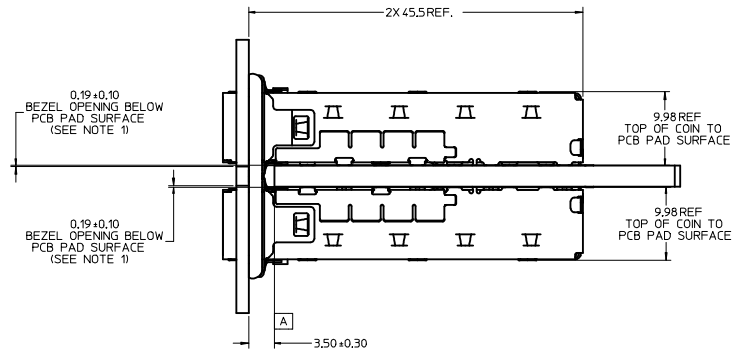
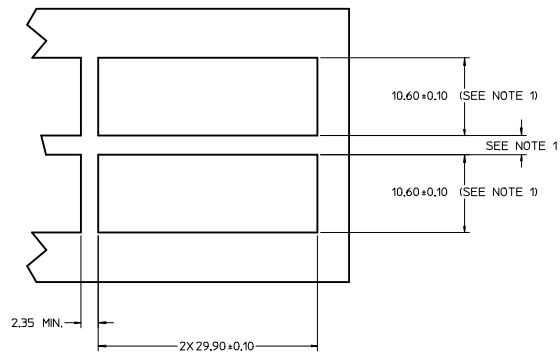
1. PADS AND VIAS CONNECT TO CHASSIS GROUND (RECOMMEND PADS TO BE 2.00mm SQUARE).
2. RECOMMENDED THRU HOLE PLATING INCLUDES HASL, OSP, OR IMMERSION (GOLD, SILVER, OR TIN).
3. CONNECTOR PAD LAYOUT PER SFP+ MSA WILL ACCOMMODATE MOLEX CONNECTOR SERIES 74441 OR EQUIVALENT.
4. HOLE PATTERN REPEATS FOR EACH PORT. SPACING BETWEEN PORTS IS 14.25mm.

| | | | | | | |
|---|-----------------------|--|---|--|---------------|------------------------|
| SEE REVISION TABLE IEC NO: CPG2014-3461 DRAWN: LUDUO 2014/05/12 CHECKED: CHYORCHEN08 2014/05/12 APPROVED: CHYORCHEN08 2014/07/10 REV: | QUALITY SYMBOLS | GENERAL TOLERANCES (UNLESS SPECIFIED) | DIMENSION STYLE | SCALE | DESIGN UNITS | THIRD ANGLE PROJECTION |
| | ▽=0 | mm INCH | MM ONLY | 1:1 | METRIC | |
| | ▽=0 | 4 PLACES ± --- + --- | DRAWN BY DATE | TITLE | | |
| | ▽=0 | 3 PLACES ± --- + --- | PSYTSMA 5/14/07 | SFP+ 1X2 CAGE ASSY W/ ELASTOMER GASKET | | |
| | 2 PLACES ± 0.15 + --- | CHECKED BY DATE | | | | |
| | 1 PLACE ± 0.25 + --- | RMAMMOOD 5/14/07 | | | | |
| | 0 PLACE ± + | APPROVED BY DATE | | | | |
| | | BRUSSELL 5/14/07 | | | | |
| | | MATERIAL NO. | SEE P/N TABLE | | DOCUMENT NO. | SHEET NO. |
| | | | | | SD-74754-0210 | 3 OF 5 |
| | | ANGULAR ±1/2° | THIS DRAWING CONTAINS INFORMATION THAT IS PROPRIETARY TO MOLEX INCORPORATED AND SHOULD NOT BE USED WITHOUT WRITTEN PERMISSION | | | |
| | | DRAFT WHERE APPLICABLE MUST REMAIN WITHIN DIMENSIONS | | | | |

BEZEL AND BOARD POSITION DIMENSIONS FOR SINGLE SIDE MOUNTING
(GASKET)



BEZEL AND BOARD POSITION DIMENSIONS FOR BELLY TO BELLY MOUNTING
(GASKET)



NOTE:
1. PCB THICKNESS VARIATION MUST BE CONSIDERED WHEN DETERMINING BEZEL OPENING, SIZE, AND LOCATION.

| | | | | | | |
|--|-----------------|--|---|---------------|--------------|------------------------|
| SEE REVISION TABLE EC NO: CPG2014-3461 TDRWNLU20 2014/05/12 CHYKORCHEN08 2014/05/12 APPR:RCHEN08 2014/07/10 | QUALITY SYMBOLS | GENERAL TOLERANCES (UNLESS SPECIFIED) | DIMENSION STYLE | SCALE | DESIGN UNITS | THIRD ANGLE PROJECTION |
| | ▽=0 | 4 PLACES ± mm ± INCH | MM ONLY | 3:1 | METRIC | |
| | ▽=0 | 3 PLACES ± 0.15 ± 0.25 | | | | |
| | ▽=0 | 1 PLACE ± 0.25 ± | | | | |
| | | ANGULAR ±1/2° | | | | |
| | | DRAFT WHERE APPLICABLE MUST REMAIN WITHIN DIMENSIONS | | | | |
| | | | MATERIAL NO. | DOCUMENT NO. | | |
| | | | SEE P/N TABLE | SD-74754-0210 | | |
| | | | | | | SHEET NO. 4 OF 5 |
| | | | THIS DRAWING CONTAINS INFORMATION THAT IS PROPRIETARY TO MOLEX INCORPORATED AND SHOULD NOT BE USED WITHOUT WRITTEN PERMISSION | | | |

