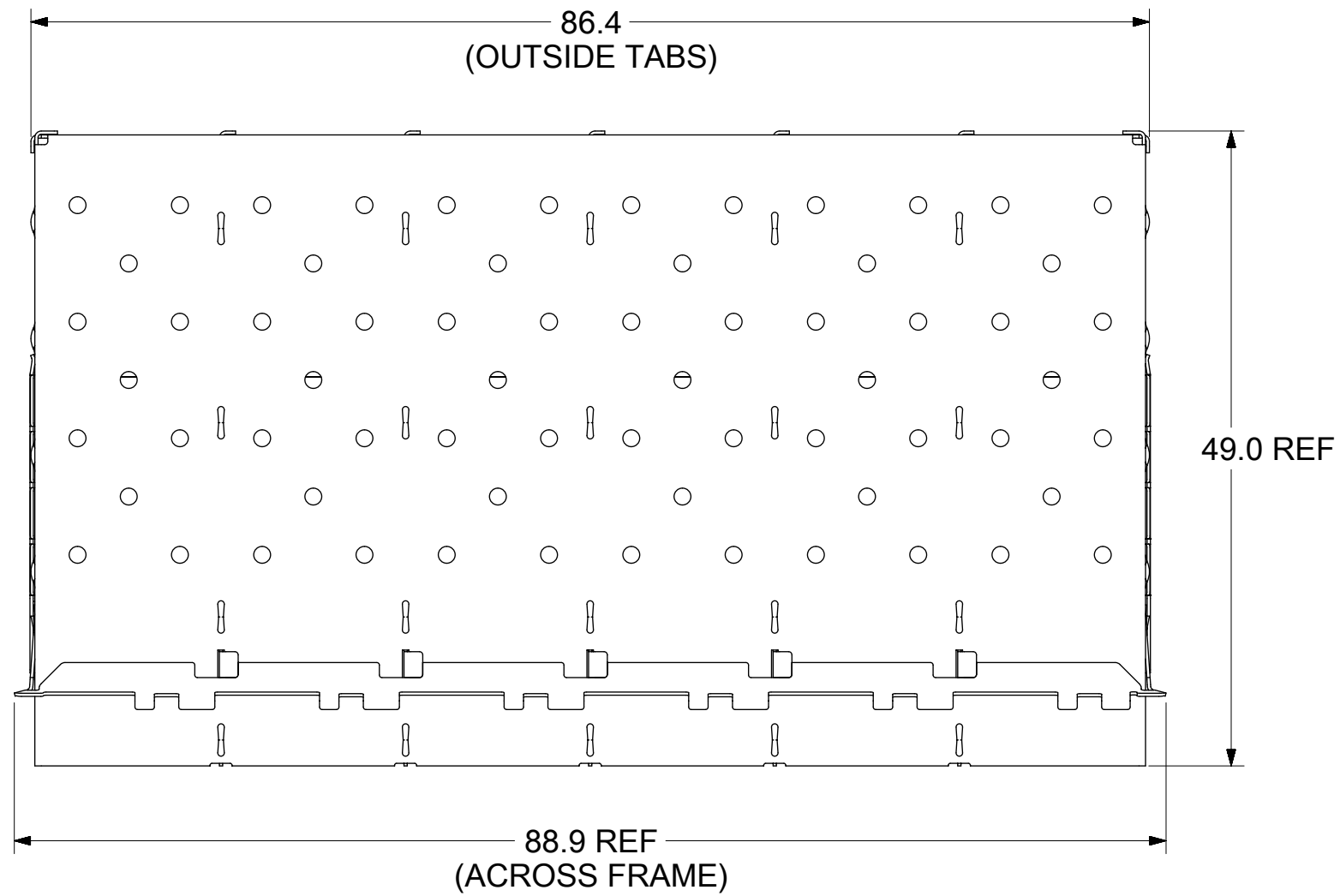


BASE CAGE DETAILS

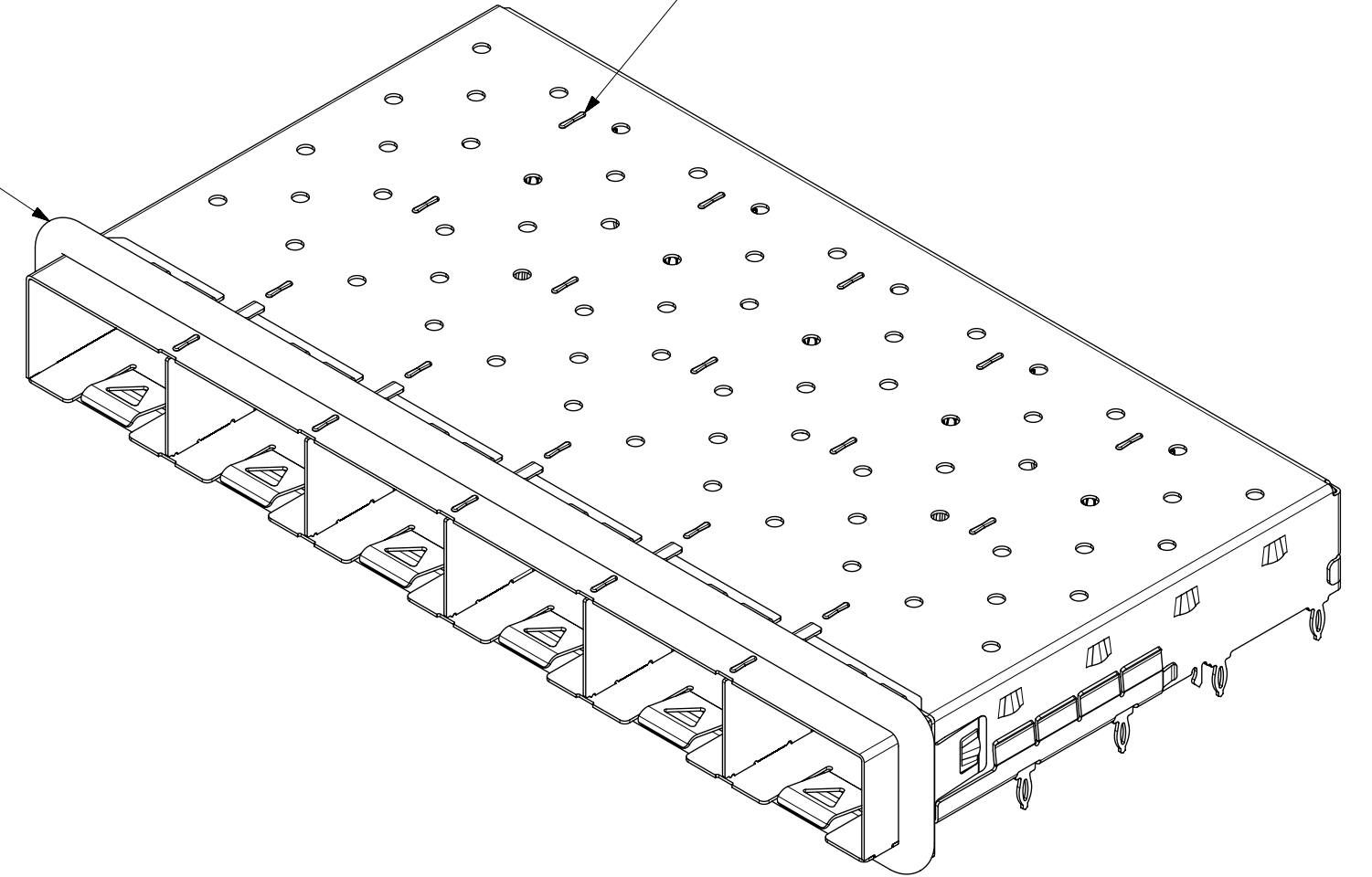
(APPLIES TO ALL CAGES IN THIS DRAWING)

747540610
 SHOWN

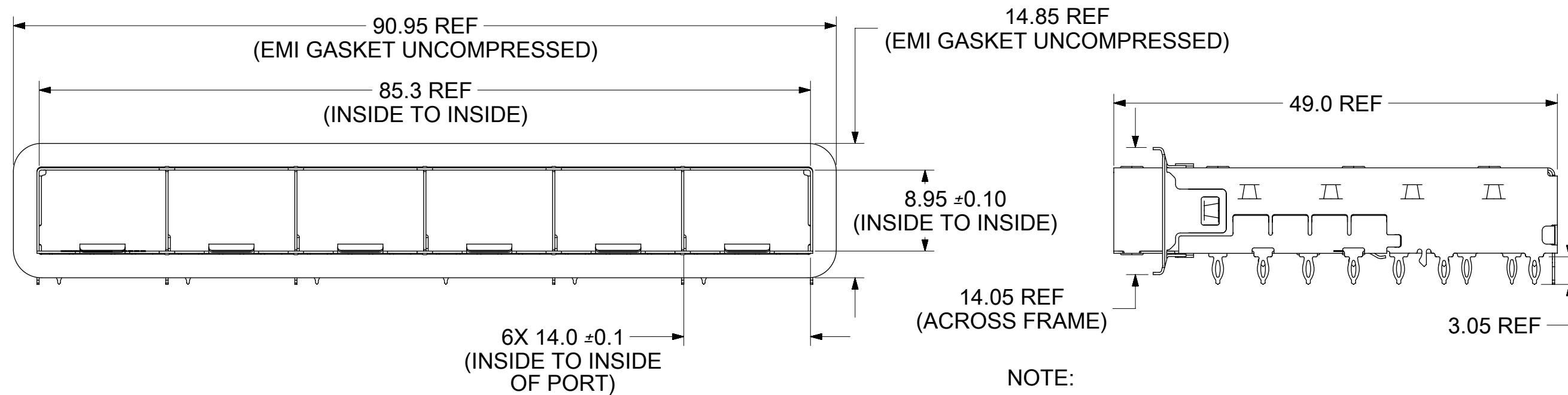


360° SOFT ELASTOMERIC GASKET

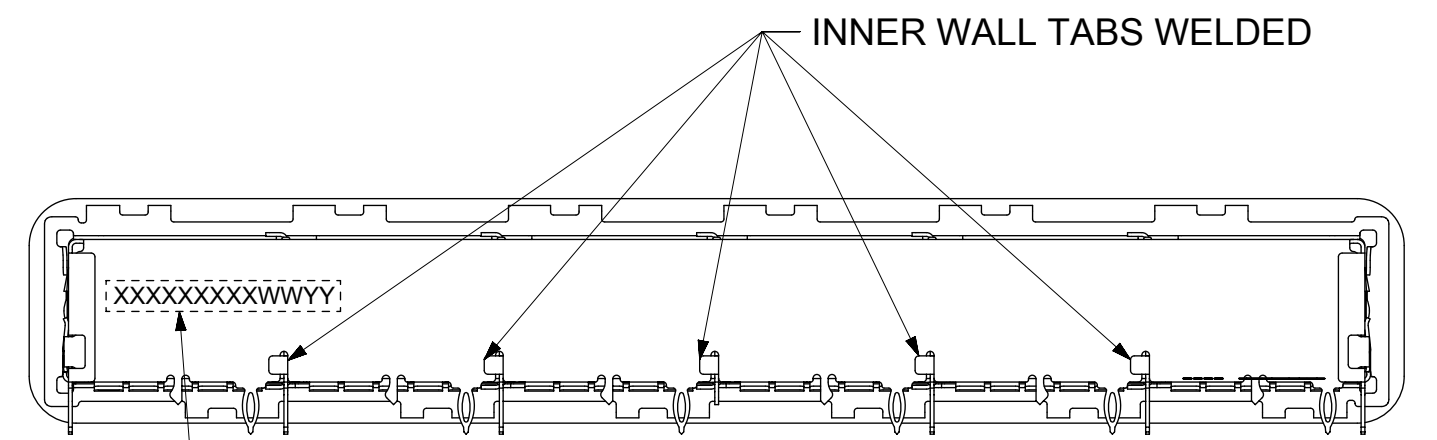
INNER WALLS ARE COINED FOR EXTRA RIGIDITY



NOTE:
 EMI GASKET REMOVED FROM THIS VIEW FOR CLARITY.



NOTE:
 EMI GASKET REMOVED FROM THIS VIEW FOR CLARITY.



INNER WALL TABS WELDED

PN/DATE CODE TO BE PRINTED ON THE BACK OF COMPLETED CAGE ASSEMBLY APPROXIMATELY AS SHOWN.

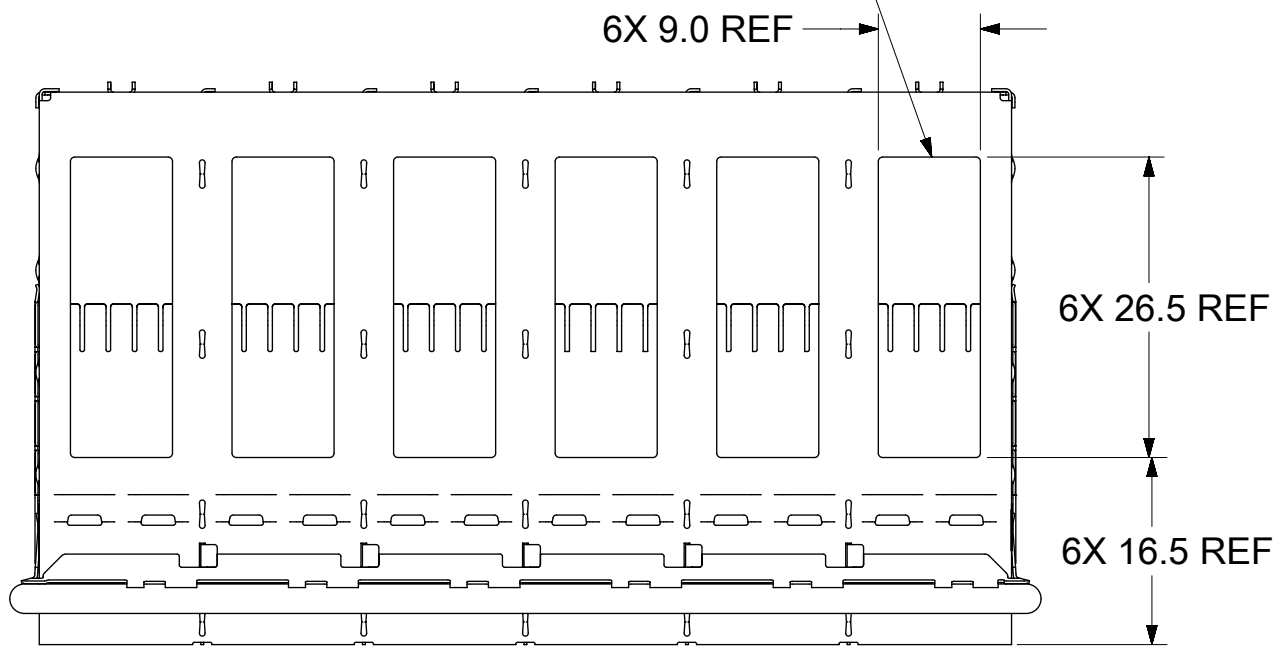
- NOTES:
- MATERIAL:
 CAGE: 0.25mm THICK COPPER ALLOY, NICKEL PLATED.
 SPRING FINGERS: 0.10mm THICK COPPER ALLOY, NICKEL PLATED.
 HEATSINK: ALUMINUM, NICKEL PLATED.
 HEATSINK SPRING CLIP: STAINLESS STEEL.
 - PRESS FIT LEGS 3.05mm LONG:
 - PORTS ARE DESIGNED FOR SFP+ TRANSCEIVERS AND ARE COMPATIBLE WITH SFP TRANSCEIVERS. THE TOP SURFACE OF THE MODULE MUST BE FLAT (NO PRODUCT LABEL RECESS) AND THERMALLY CONDUCTIVE TO FUNCTION OPTIMALLY.
 - WELD SPOT MAY SHOW SLIGHT MATERIAL DISCOLORATION.
 - NO RoHS EXEMPTIONS.
 - CUSTOM HEATSINKS AVAILABLE UPON REQUEST.

WEEK/YEAR DATE CODE TABLE	
WW	01 THRU 52, EXAMPLE: 01 = FIRST WEEK OF YEAR, 52 = LAST WEEK OF YEAR
YY	17, 18, 19 ETC. EXAMPLE: YEAR 2017 = 17

SEE REVISION TABLE		GENERAL TOLERANCES (UNLESS SPECIFIED)		DIMENSION UNITS	SCALE	molex			
EC NO: 116175	2017/02/27	ANGULAR TOL ± 1.0 °		MM	2:1				
DRWN: MHANUMAPPARE	2017/04/27	4 PLACES ±		DRWN BY	DATE	1X6 SFP+ CAGE, 120 INCH PRESS FIT, HEAT SINK, ELASTOMERIC GASKET			
CHKD: DSUN15	2017/05/03	3 PLACES ±		MHANUMAPPARE	2017/02/27				
REV: APPR: RCHEN08		2 PLACES ± 0.13		CHKD BY	DATE	PRODUCT CUSTOMER DRAWING			
		1 PLACE ± 0.25		DSUN15	2017/04/27				
		0 PLACES ±		APPR BY	DATE	SERIES MATERIAL NUMBER CUSTOMER			
				RCHEN08	2017/05/03				111112
		DRAFT WHERE APPLICABLE MUST REMAIN WITHIN DIMENSIONS		DRAWING SIZE	THIRD ANGLE PROJECTION	DOCUMENT NUMBER	DOC TYPE	DOC PART	SHEET NUMBER
				C		111122610	PSD	ASY	1 OF 9

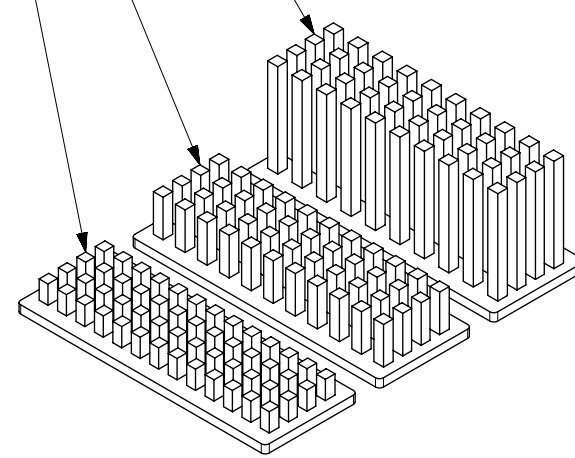
CAGE ASSEMBLY OPTIONS

OPEN TOP
111120610
SHOWN
(APPLIES TO ALL
OPEN TOP CAGES)



HEATSINK OPTIONS

PIN FIELD NETWORKING
PIN FIELD SAN
PIN FIELD PCI



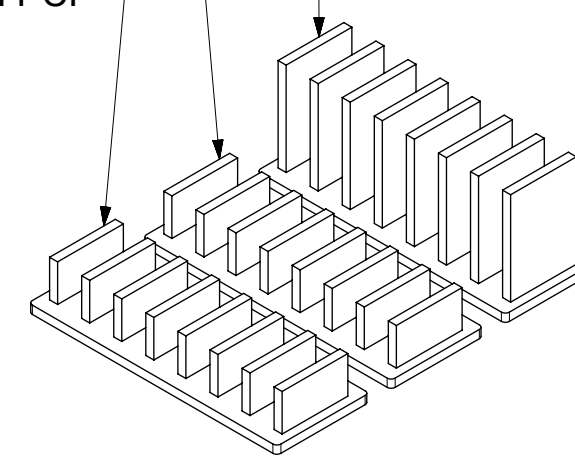
OVERALL HEATSINK HEIGHT

APPLICATION	DIM 'A'
PCI	14.3
SAN	16.6
NETWORKING	23.6

NOTE: PCI - 13 ROWS
SAN - 11 ROWS
NETWORKING - 10 ROWS

HEATSINK OPTIONS

LATERAL FIN NETWORKING
LATERAL FIN SAN
LATERAL FIN PCI

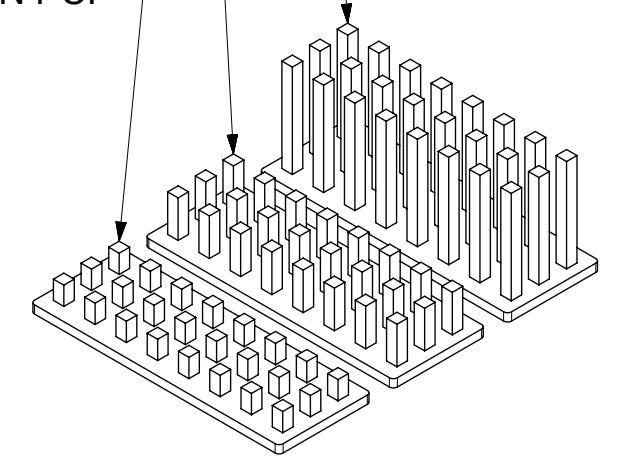


OVERALL HEATSINK HEIGHT

APPLICATION	DIM 'A'
PCI	14.3
SAN	16.6
NETWORKING	23.6

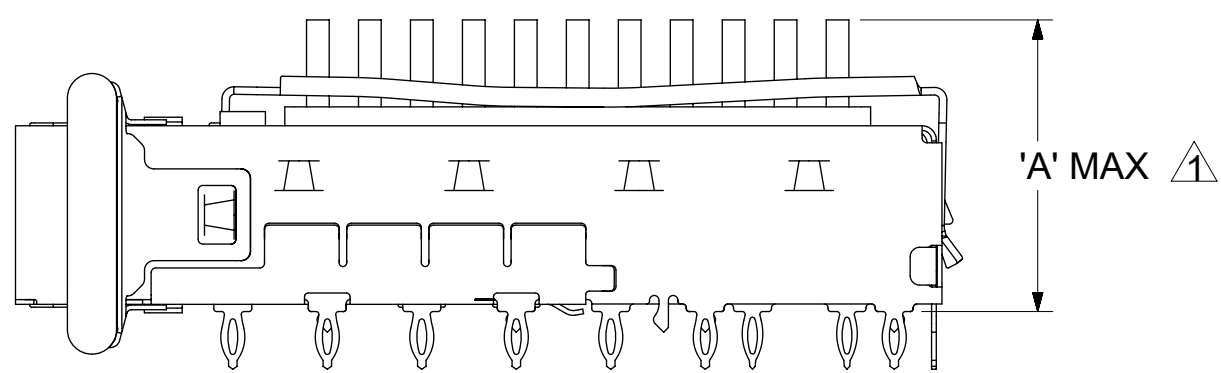
HEATSINK OPTIONS

WIDE GAP PIN NETWORKING
WIDE GAP PIN SAN
WIDE GAP PIN PCI



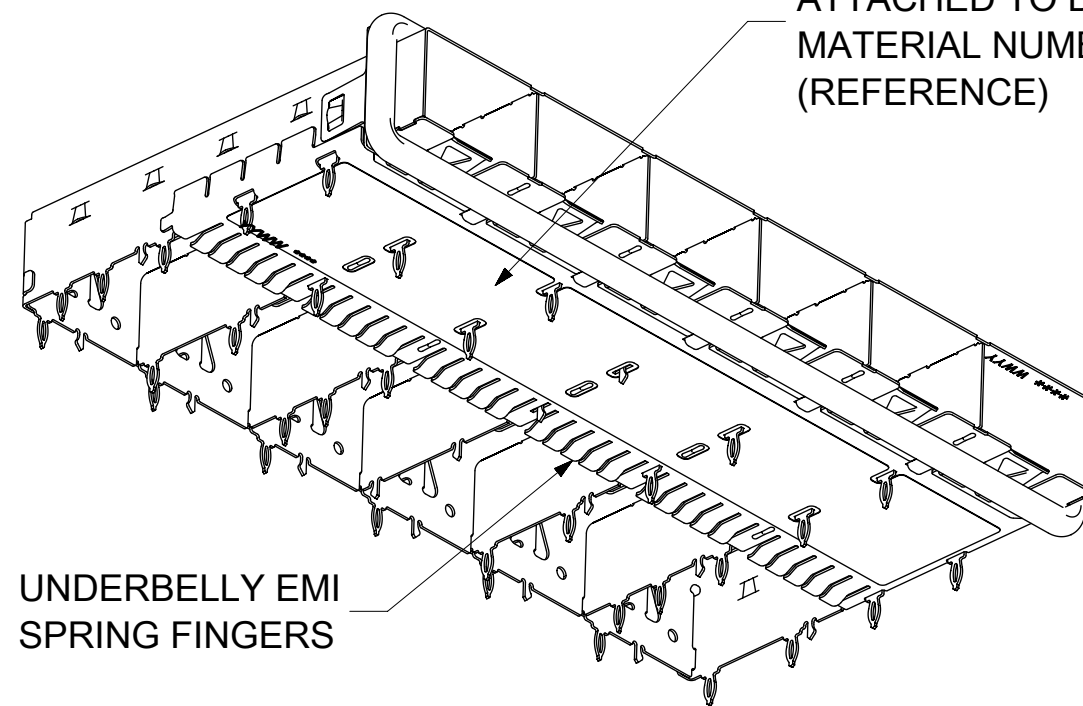
OVERALL HEATSINK HEIGHT

APPLICATION	DIM 'A'
PCI	14.3
SAN	16.6
NETWORKING	23.6

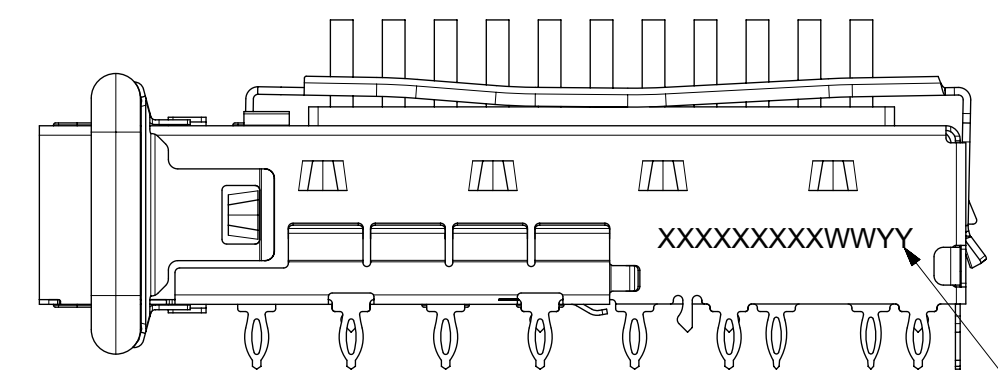


NOTES:
HEIGHT OF HEATSINK WITH MODULE INSERTED.
DIMENSION MAY BE LESS DUE TO MODULE AND HEATSINK VARIATIONS.

OPTIONAL POLYIMIDE INSULATOR
ATTACHED TO BOTTOM OF CAGE
MATERIAL NUMBER 739300634
(REFERENCE)



UNDERBELLY EMI
SPRING FINGERS



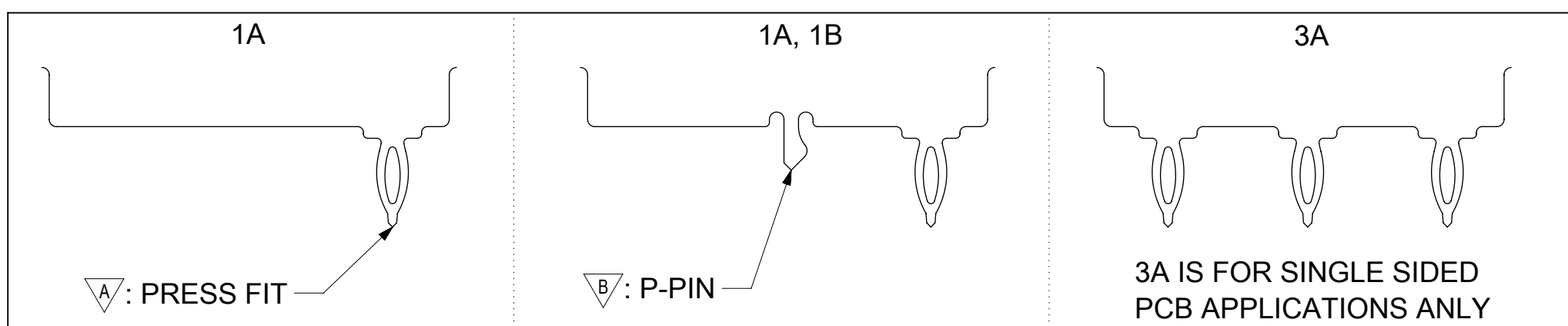
PN/DATE CODE TO BE PRINTED ON THE SIDE OF
COMPLETED CAGE ASSEMBLY APPROXIMATELY AS SHOWN.

WEEK/YEAR DATE CODE TABLE

WW	01 THRU 52, EXAMPLE: 01 = FIRST WEEK OF YEAR, 52 = LAST WEEK OF YEAR
YY	17, 18, 19 ETC. EXAMPLE: YEAR 2017 = 17

REAR LEG OPTIONS

(PER PORT)



THIS DRAWING CONTAINS INFORMATION THAT IS PROPRIETARY TO MOLEX ELECTRONIC TECHNOLOGIES, LLC AND SHOULD NOT BE USED WITHOUT WRITTEN PERMISSION

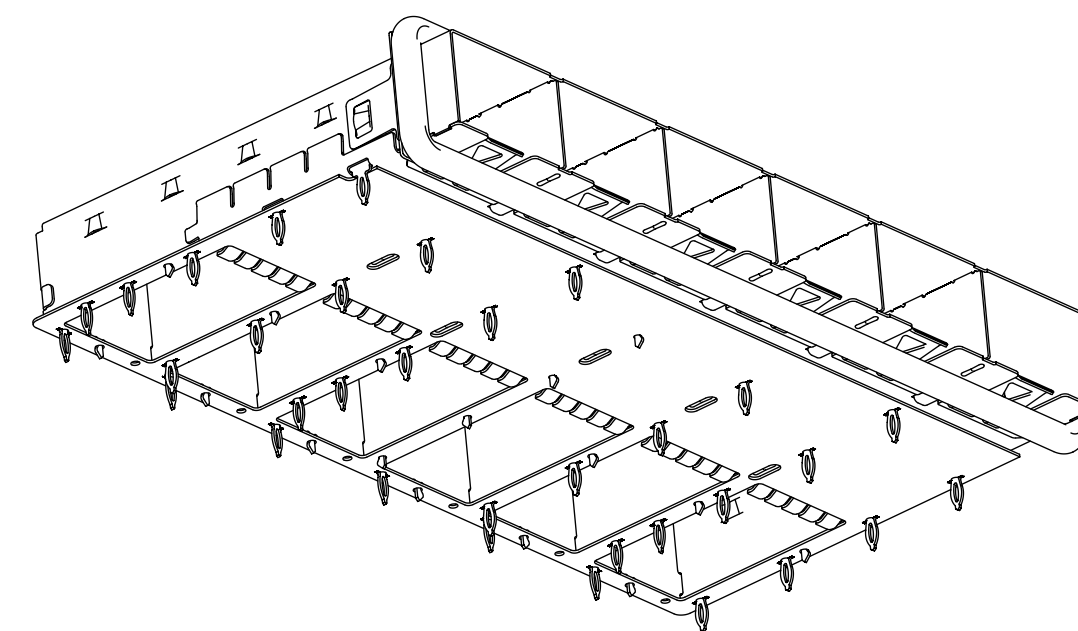
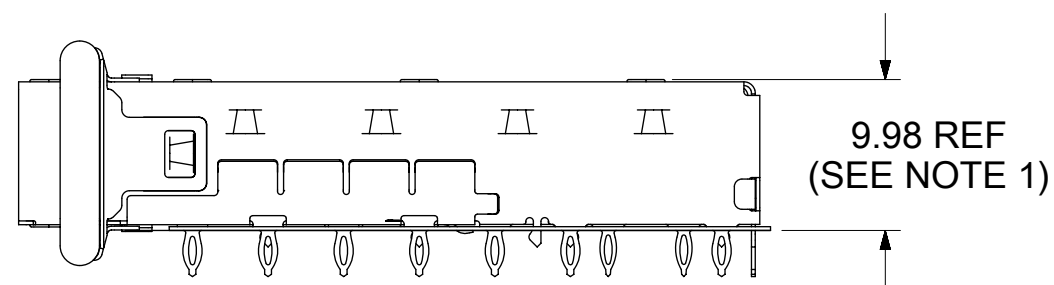
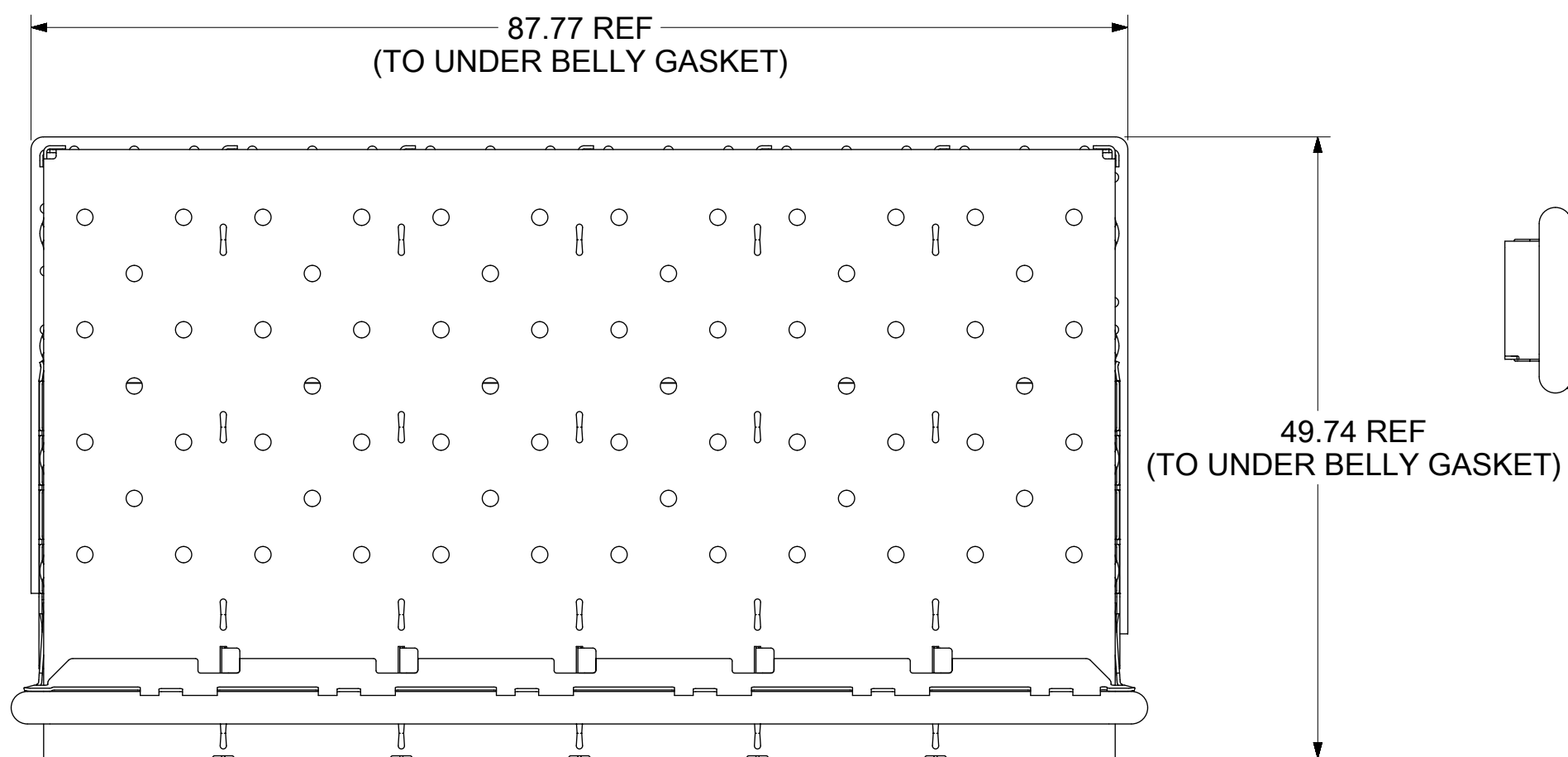
SEE REVISION TABLE EC NO: 116175 DRWN: MHANUMAPPARE CHKD: DSUN15 REV: APPR: RCHEN08	2017/02/27	2017/04/27	2017/05/03
	GENERAL TOLERANCES (UNLESS SPECIFIED)		
	DIMENSION UNITS: MM		SCALE: 1.5:1
	ANGULAR TOL ± 1.0 °		
4 PLACES ±		DRWN BY: MHANUMAPPARE DATE: 2017/02/27	
3 PLACES ±		CHKD BY: DSUN15 DATE: 2017/04/27	
2 PLACES ± 0.13		APPR BY: RCHEN08 DATE: 2017/05/03	
1 PLACE ± 0.25		DRAWING SIZE: C THIRD ANGLE PROJECTION	
0 PLACES ±		DRAFT WHERE APPLICABLE MUST REMAIN WITHIN DIMENSIONS	

1X6 SFP+ CAGE.120 INCH PRESS FIT, HEAT SINK, ELASTOMERIC GASKET		
PRODUCT CUSTOMER DRAWING		
SERIES: 111112	MATERIAL NUMBER: SEE SHEET 4	CUSTOMER: GENERAL MARKET
DOCUMENT NUMBER: 111122610	DOC TYPE: PSD	DOC PART: ASY
SHEET NUMBER: 2 OF 9		

OPTIONAL GEN 2 UNDER BELLY GASKET

1001150610

SHOWN



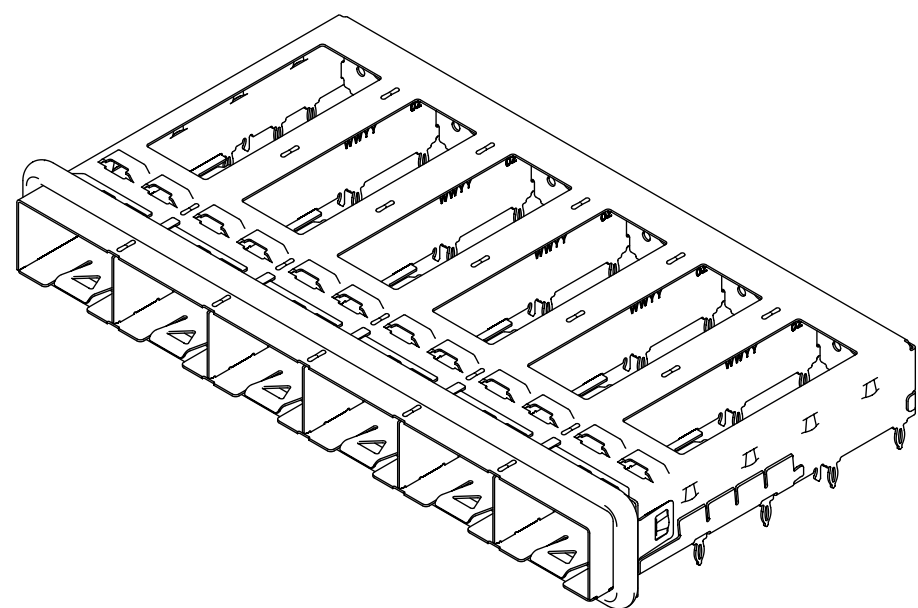
NOTE:
1. CAGE LEG STANDOFF WILL PIERCE GASKET WHEN PROPERLY PRESSED INTO PCB

THIS DRAWING CONTAINS INFORMATION THAT IS PROPRIETARY TO MOLEX ELECTRONIC TECHNOLOGIES, LLC AND SHOULD NOT BE USED WITHOUT WRITTEN PERMISSION

SEE REVISION TABLE EC NO: 116175 DRWN: MHANUMAPPARE CHKD: DSUN15 REV: APPR: RCHEN08	2017/02/27	2017/04/27	2017/05/03	GENERAL TOLERANCES (UNLESS SPECIFIED) ANGULAR TOL ± 1.0 ° 4 PLACES ± 3 PLACES ± 2 PLACES ± 0.13 1 PLACE ± 0.25 0 PLACES ± DRAFT WHERE APPLICABLE MUST REMAIN WITHIN DIMENSIONS	DIMENSION UNITS	SCALE	<p>1X6 SFP+ CAGE.120 INCH PRESS FIT, HEAT SINK, ELASTOMERIC GASKET</p> <p>PRODUCT CUSTOMER DRAWING</p>			
					MM	2:1				
					DRWN BY	DATE		MHANUMAPPARE	2017/02/27	
					CHKD BY	DATE		DSUN15	2017/04/27	
					APPR BY	DATE		RCHEN08	2017/05/03	
			DRAWING SIZE	THIRD ANGLE PROJECTION	C		SERIES	MATERIAL NUMBER	CUSTOMER	
							111112	SEE SHEET 4	GENERAL MARKET	
							DOCUMENT NUMBER	DOC TYPE	DOC PART	SHEET NUMBER
							1111122610	PSD	ASY	3 OF 9

PART NUMBER SELECTION

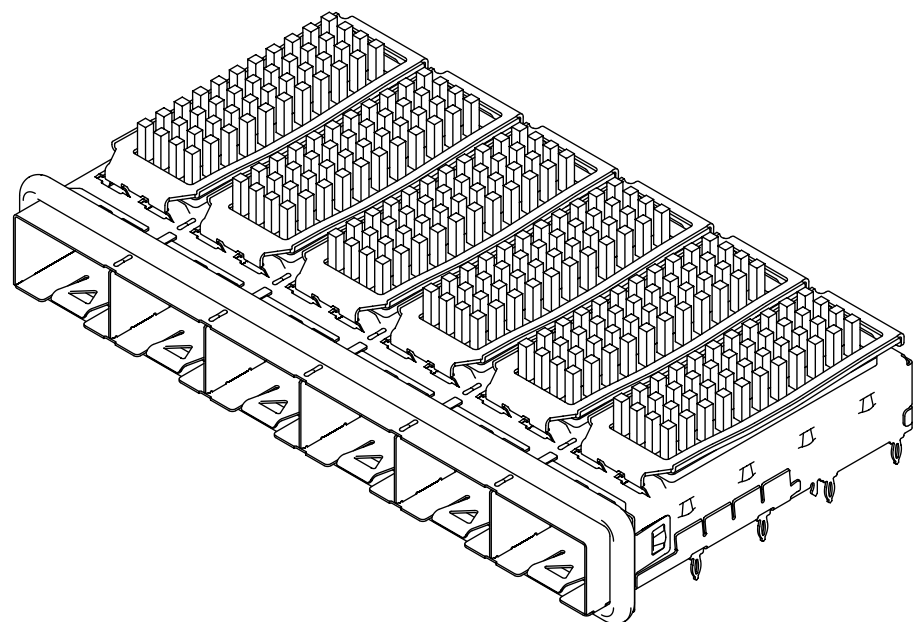
1111120610
SHOWN



SFP+ OPEN TOP BASE CAGE FOR HEATSINKS			
PART NO.	POLYIMIDE INSOLATOR	HEATSINK	# OF REAR LEGS PER PORT
1111120610	---	---	1A, 1B
1111120650	YES	---	1A, 1B

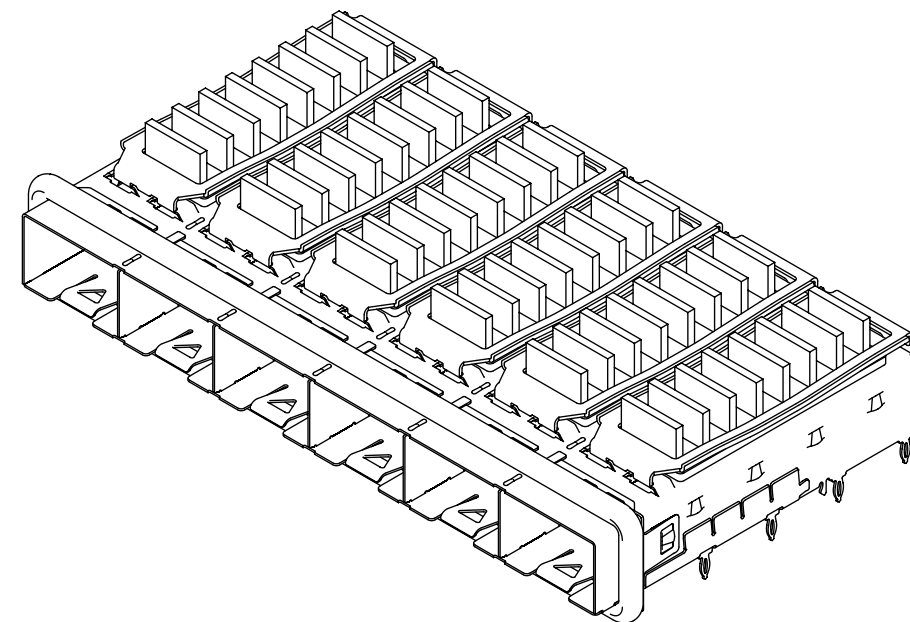
NOTE: PCI - 13 ROWS
SAN - 11 ROWS
NETWORKING - 10 ROWS

1111122610
SHOWN



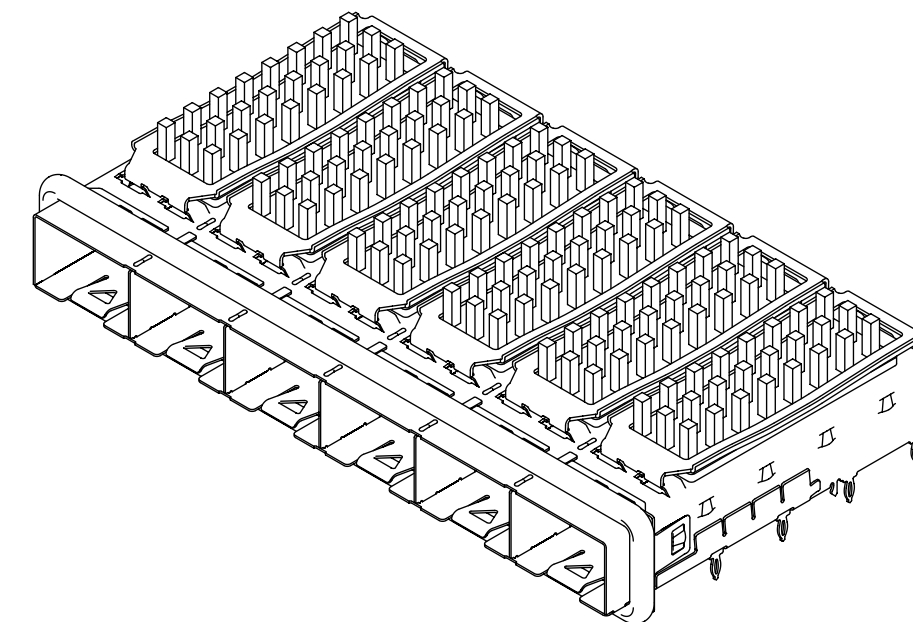
SFP+ PIN FIELD HEATSINK OPTION			
PART NO.	POLYIMIDE INSOLATOR	HEATSINK	# OF REAR LEGS PER PORT
1111121610	---	PCI	1A, 1B
1111121650	YES	PCI	1A, 1B
1111122610	---	SAN	1A, 1B
1111122650	YES	SAN	1A, 1B
1111123610	---	NET	1A, 1B
1111123650	YES	NET	1A, 1B

1111125610
SHOWN



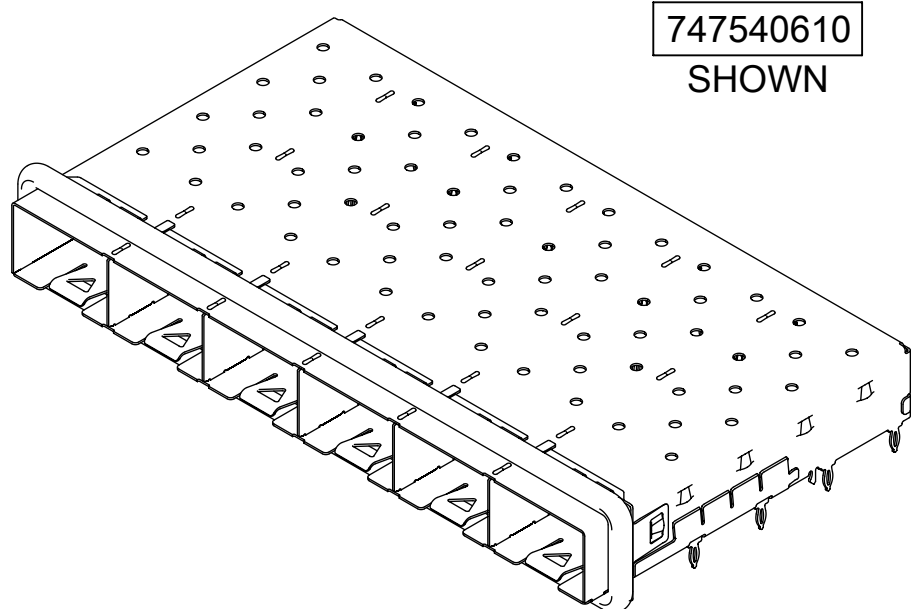
SFP+ LATERAL FIN HEATSINK OPTION			
PART NO.	POLYIMIDE INSOLATOR	HEATSINK	# OF REAR LEGS PER PORT
1111124610	---	PCI	1A, 1B
1111124650	YES	PCI	1A, 1B
1111125610	---	SAN	1A, 1B
1111125650	YES	SAN	1A, 1B
1111126610	---	NET	1A, 1B
1111126650	YES	NET	1A, 1B

1111128610
SHOWN



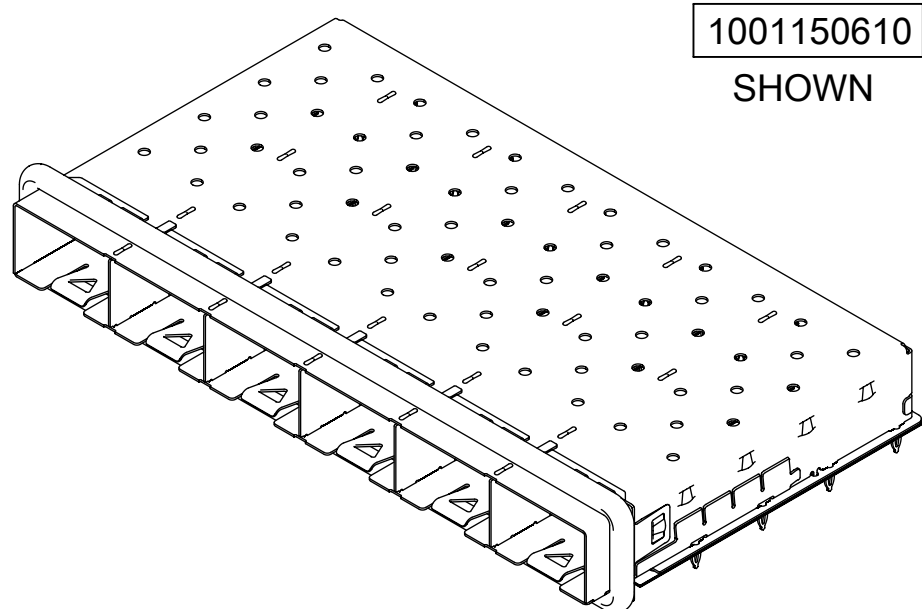
SFP+ WIDE GAP PIN FIELD HEATSINK OPTION			
PART NO.	POLYIMIDE INSOLATOR	HEATSINK	# OF REAR LEGS PER PORT
1111127610	---	PCI	1A, 1B
1111127650	YES	PCI	1A, 1B
1111128610	---	SAN	1A, 1B
1111128650	YES	SAN	1A, 1B
1111129610	---	NET	1A, 1B
1111129650	YES	NET	1A, 1B

747540610
SHOWN



SFP+ CLOSED TOP CAGE			
PART NO.	POLYIMIDE INSOLATOR	HEATSINK	# OF REAR LEGS PER PORT
747540610	---	---	1A, 1B
747540611	---	---	3A
747540613	---	---	1A, 1B

1001150610
SHOWN



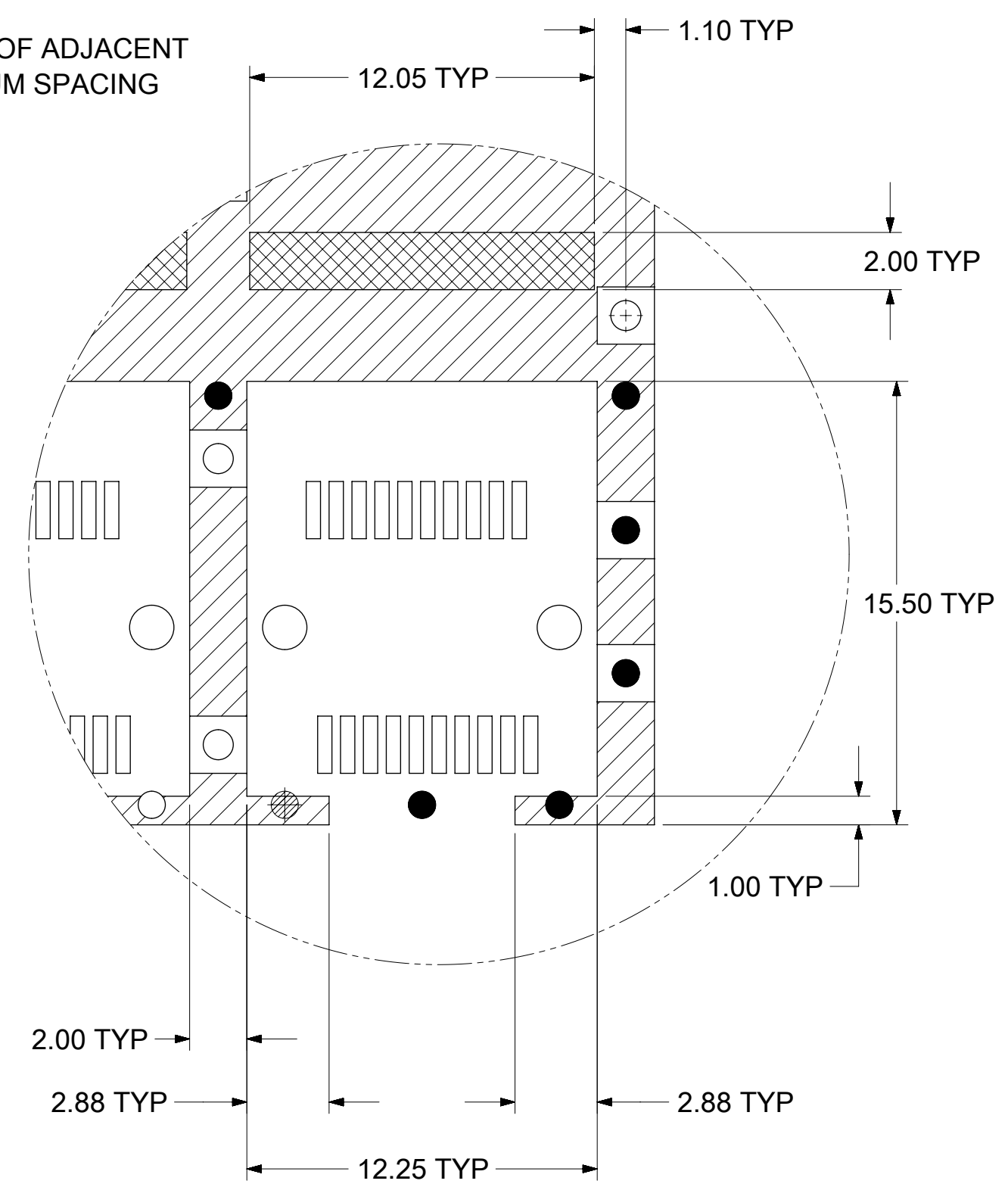
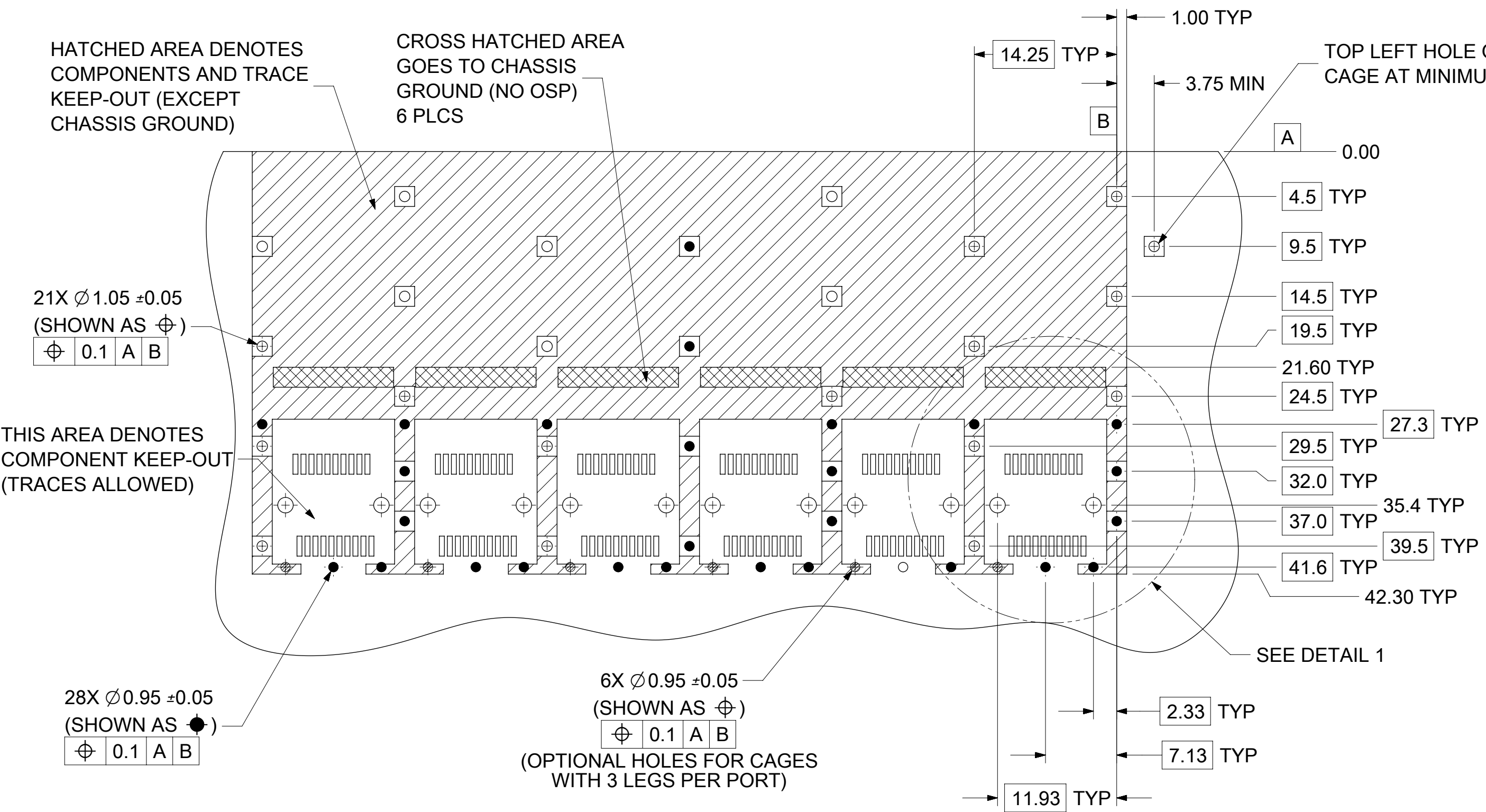
zSFP+ GEN 2 CLOSED TOP BASE CAGE			
PART NO.	POLYIMIDE INSOLATOR	HEATSINK	# OF REAR LEGS PER PORT
1001150610	---	---	1A, 1B

THIS DRAWING CONTAINS INFORMATION THAT IS PROPRIETARY TO MOLEX ELECTRONIC TECHNOLOGIES, LLC AND SHOULD NOT BE USED WITHOUT WRITTEN PERMISSION

SEE REVISION TABLE EC NO: 116175 DRWN: MHANUMAPPARE CHKD: DSUN15 REV / APPR: RCHEN08	2017/02/27	GENERAL TOLERANCES (UNLESS SPECIFIED) ANGULAR TOL ± 1.0 ° 4 PLACES ± 3 PLACES ± 2 PLACES ± 0.13 1 PLACE ± 0.25 0 PLACES ± DRAFT WHERE APPLICABLE MUST REMAIN WITHIN DIMENSIONS	DIMENSION UNITS	SCALE		
	2017/04/27		MM	1.25:1		
	2017/05/03		DRWN BY	DATE		MHANUMAPPARE 2017/02/27
	2017/05/03		CHKD BY	DATE		DSUN15 2017/04/27
			APPR BY	DATE	RCHEN08 2017/05/03	
			DRAWING SIZE	THIRD ANGLE PROJECTION	SERIES: 111112 MATERIAL NUMBER: SEE TABLE CUSTOMER: GENERAL MARKET	
			C		DOCUMENT NUMBER: 1111122610 DOC TYPE: PSD DOC PART: ASY SHEET NUMBER: 4 OF 9	

PCB LAYOUT FOR SINGLE SIDE MOUNT

HOST CONNECTOR DETAIL

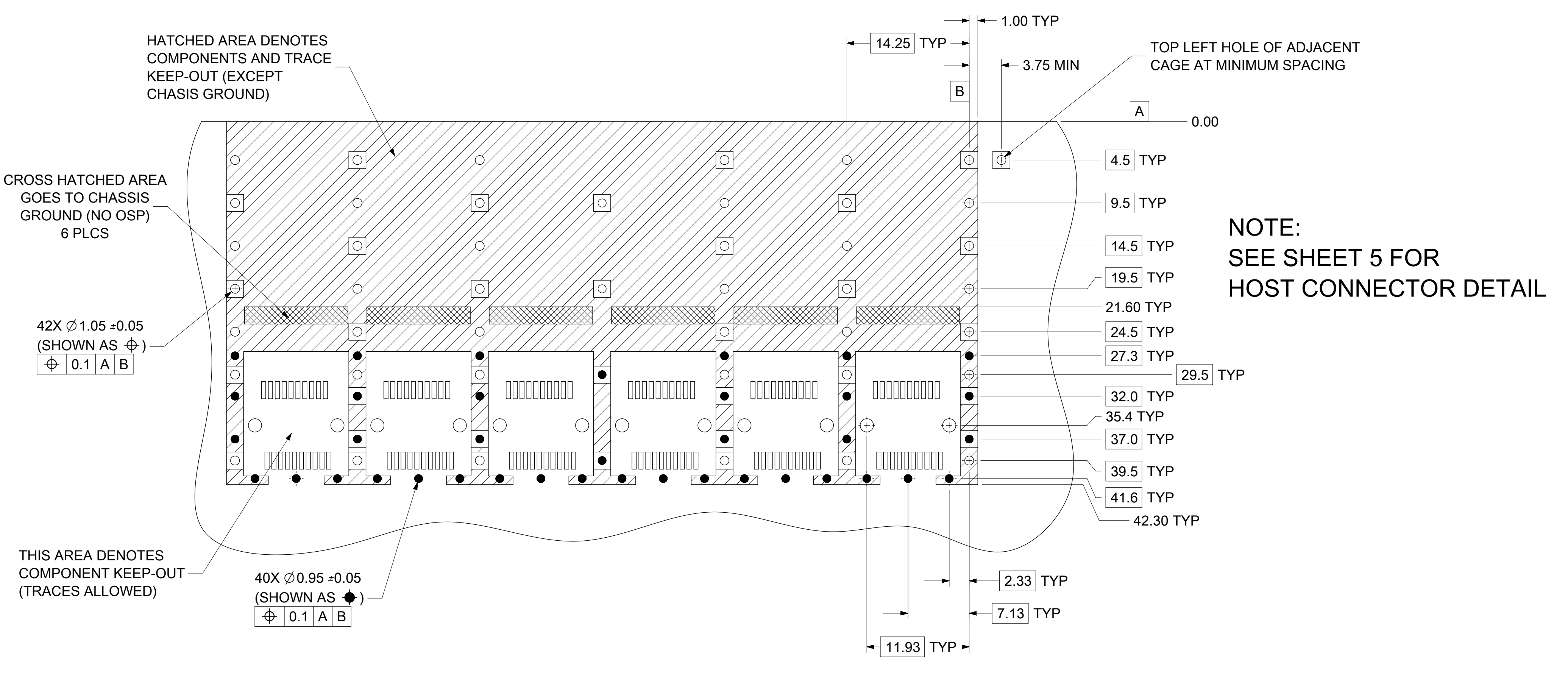


DETAIL 1
SCALE 5:1

- NOTES:
- PADS AND VIAS CONNECT TO CHASSIS GROUND (RECOMMEND PADS TO BE 2.00mm SQUARE)
 - RECOMMENDED THRU HOLE PLATING INCLUDES HASL, OSP, OR IMMERSION (GOLD, SILVER, OR TIN).
 - CONNECTOR PAD LAYOUT PER SFP+ MSA WILL ACCOMMODATE MOLEX CONNECTOR SERIES 74441 OR EQUIVALENT.
 - HOLE PATTERN REPEATS FOR EACH PORT. SPACING BETWEEN PORTS IS 14.25mm.
 - MIN PCB THICKNESS FOR SINGLE SIDED USE: 1.57mm.

THIS DRAWING CONTAINS INFORMATION THAT IS PROPRIETARY TO MOLEX ELECTRONIC TECHNOLOGIES, LLC AND SHOULD NOT BE USED WITHOUT WRITTEN PERMISSION											
SEE REVISION TABLE	EC NO:	116175	GENERAL TOLERANCES (UNLESS SPECIFIED)	DIMENSION UNITS	SCALE	molex					
	DRWN:	MHANUMAPPARE	ANGULAR TOL $\pm 1.0^\circ$	MM	2.5:1						
	CHKD:	DSUN15	4 PLACES \pm	DRWN BY	DATE	1X6 SFP+ CAGE.120 INCH PRESS FIT, HEAT SINK, ELASTOMERIC GASKET					
	REV:	APPR: RCHEN08	3 PLACES \pm	MHANUMAPPARE	2017/02/27						
	DRAFT WHERE APPLICABLE MUST REMAIN WITHIN DIMENSIONS			2 PLACES ± 0.13	CHKD BY	DATE	PRODUCT CUSTOMER DRAWING				
			1 PLACE ± 0.25	DSUN15	2017/04/27						
			0 PLACES \pm	APPR BY	DATE	SERIES MATERIAL NUMBER CUSTOMER					
				RCHEN08	2017/05/03						
				DRAWING SIZE	THIRD ANGLE PROJECTION	111112		SEE SHEET 4		GENERAL MARKET	
				C		DOCUMENT NUMBER		1111122610		DOC TYPE DOC PART SHEET NUMBER	
						PSD		ASY		5 OF 9	

PCB LAYOUT FOR BELLY TO BELLY MOUNTING



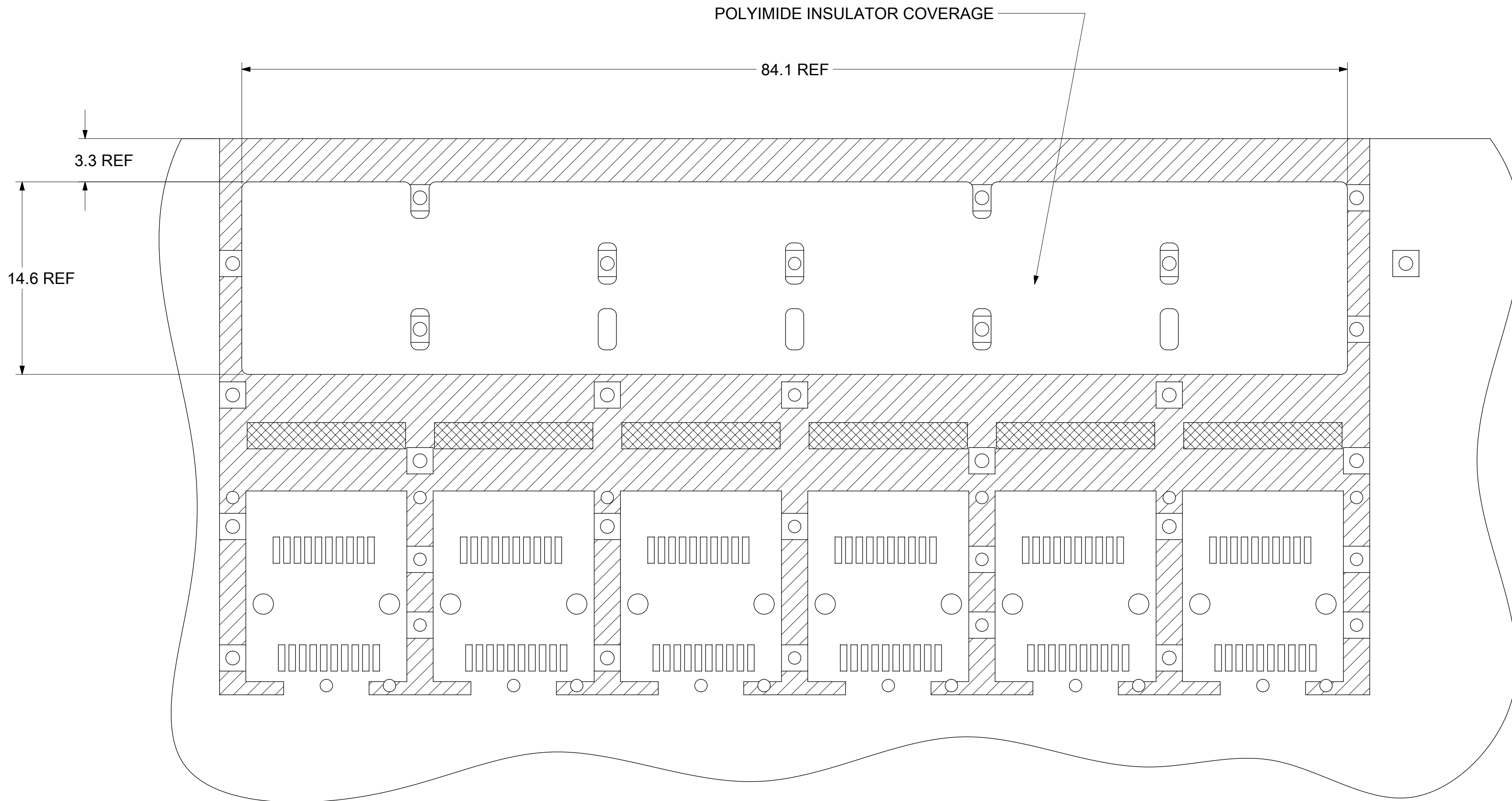
NOTE:
SEE SHEET 5 FOR
HOST CONNECTOR DETAIL

- NOTES:**
1. PADS AND VIAS CONNECT TO CHASSIS GROUND (RECOMMEND PADS TO BE 2.00mm SQUARE)
 2. RECOMMENDED THRU HOLE PLATING INCLUDES HASL, OSP, OR IMMERSION (GOLD, SILVER, OR TIN).
 3. CONNECTOR PAD LAYOUT PER SFP+ MSA WILL ACCOMMODATE MOLEX CONNECTOR SERIES 74441 OR EQUIVALENT.
 4. HOLE PATTERN REPEATS FOR EACH PORT. SPACING BETWEEN PORTS IS 14.25mm.
 5. MIN PCB THICKNESS FOR BELLY TO BELLY USE: 3.00mm.

THIS DRAWING CONTAINS INFORMATION THAT IS PROPRIETARY TO MOLEX ELECTRONIC TECHNOLOGIES, LLC AND SHOULD NOT BE USED WITHOUT WRITTEN PERMISSION											
SEE REVISION TABLE	EC NO:	116175	GENERAL TOLERANCES (UNLESS SPECIFIED)	DIMENSION UNITS	SCALE	molex					
	DRWN:	MHANUMAPPARE	ANGULAR TOL ± 1.0 °	MM	3:1						
	CHKD:	DSUN15	4 PLACES ±	DRWN BY	DATE	1X6 SFP+ CAGE. 120 INCH PRESS FIT, HEAT SINK, ELASTOMERIC GASKET					
	REV:	APPR: RCHEN08	3 PLACES ±	MHANUMAPPARE	2017/02/27						
	DRAFT WHERE APPLICABLE MUST REMAIN WITHIN DIMENSIONS			2 PLACES ± 0.13	CHKD BY	DATE	PRODUCT CUSTOMER DRAWING				
			1 PLACE ± 0.25	DSUN15	2017/04/27						
			0 PLACES ±	APPR BY	DATE	SERIES MATERIAL NUMBER CUSTOMER					
				RCHEN08	2017/05/03						
				DRAWING SIZE	THIRD ANGLE PROJECTION	DOCUMENT NUMBER		DOC TYPE		DOC PART SHEET NUMBER	
				C		1111122610		PSD		ASY 6 OF 9	

POLYIMIDE INSULATOR COVERAGE AREA

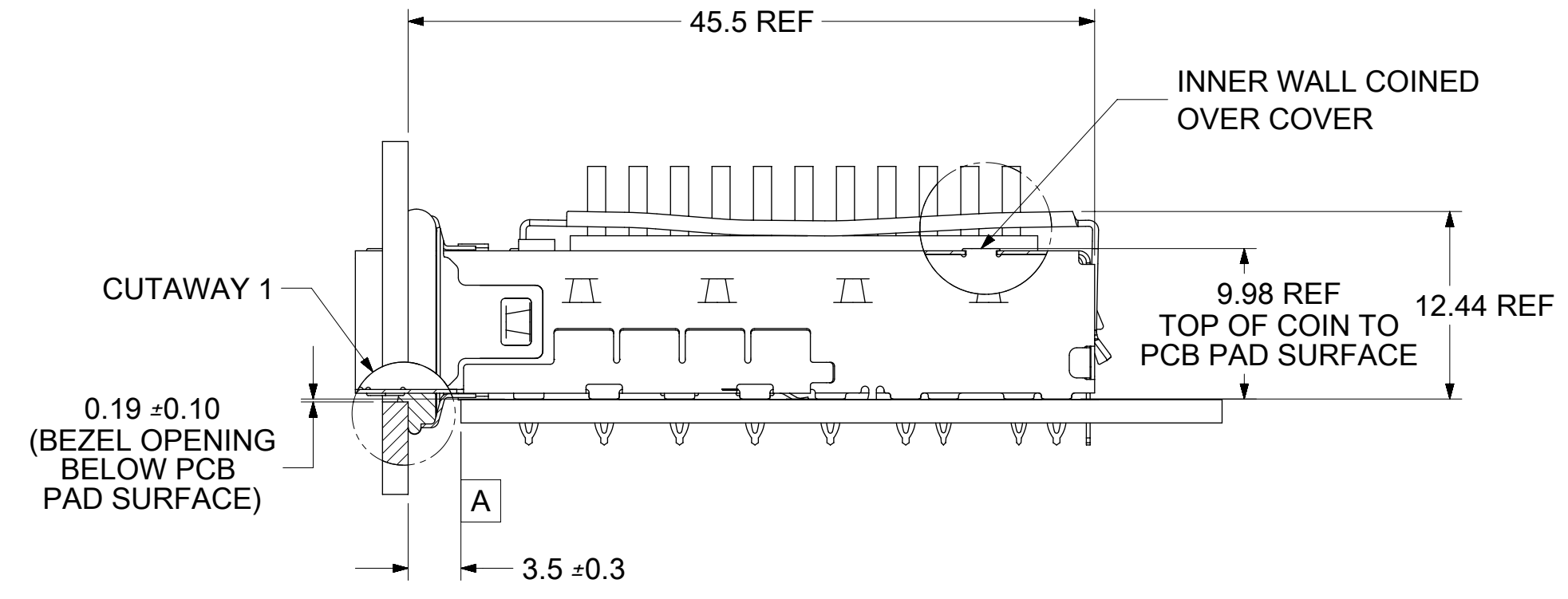
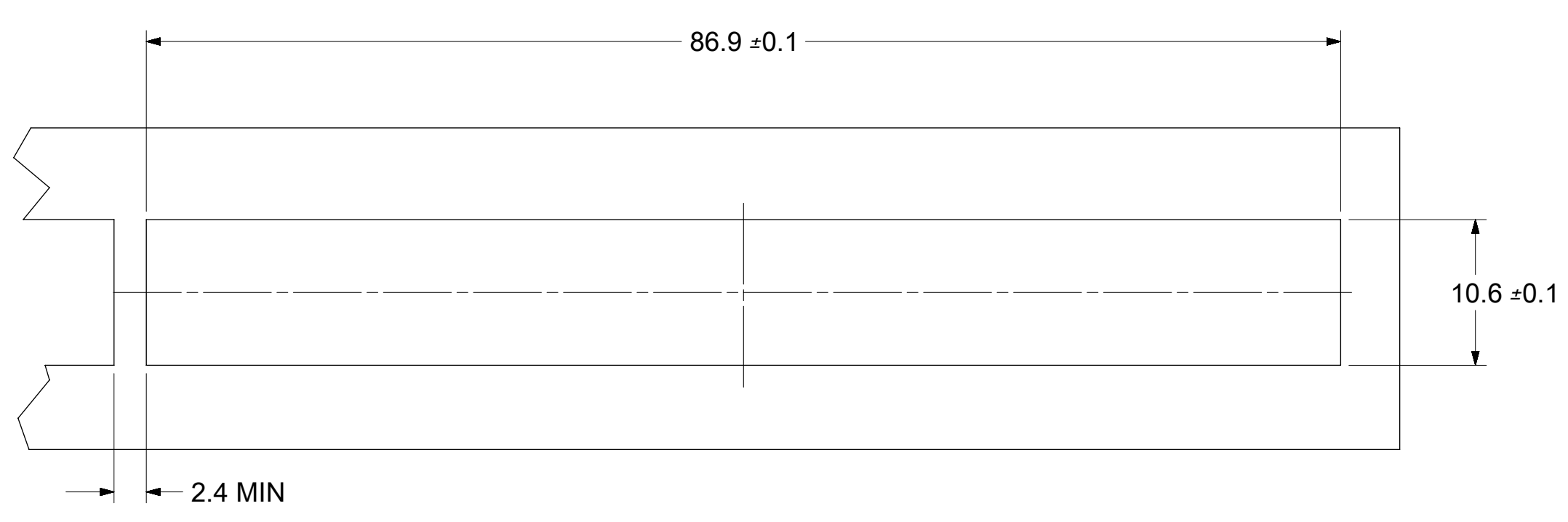
(APPLIES TO SINGLE SIDED AND BELLY TO BELLY)



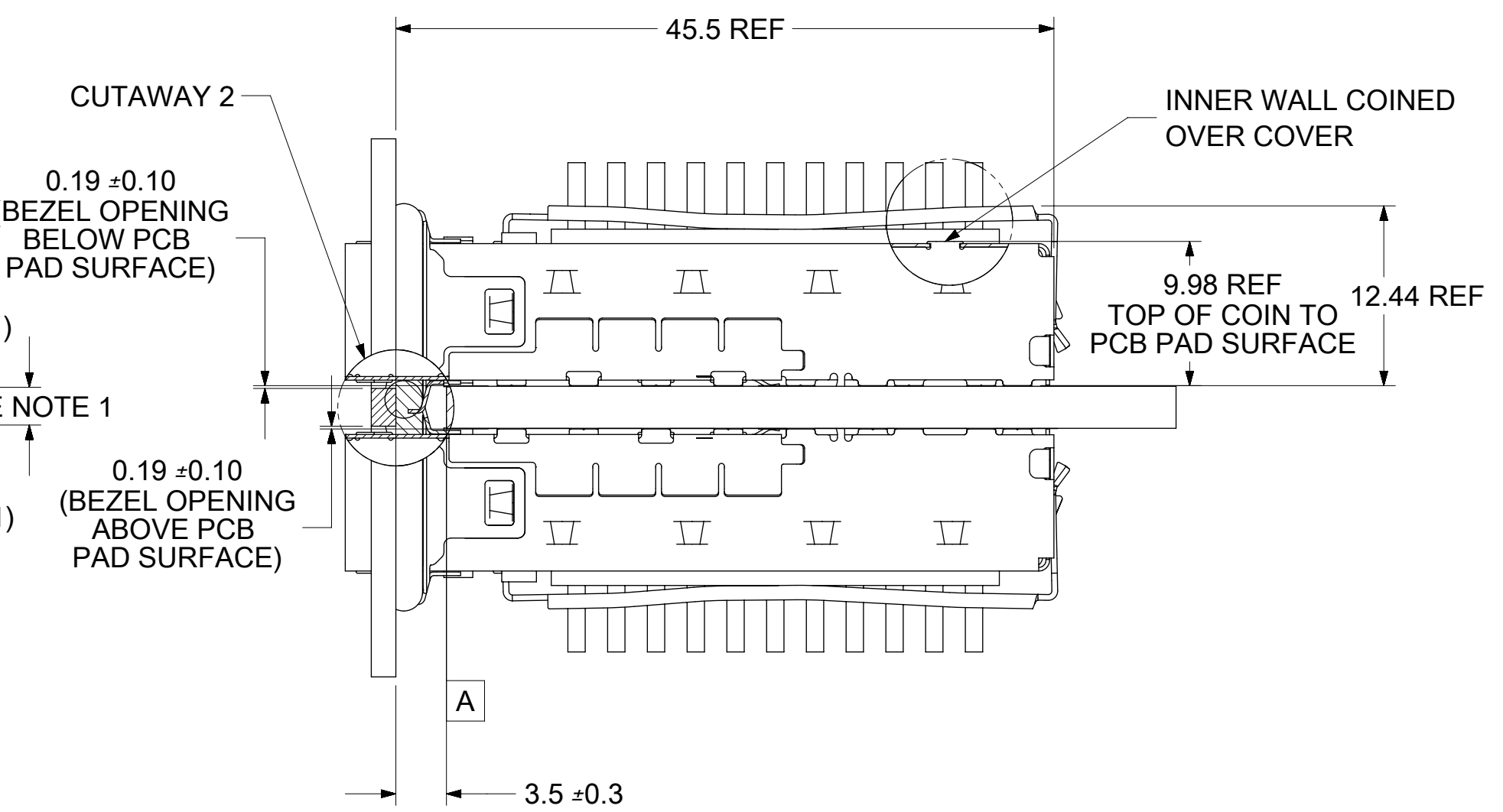
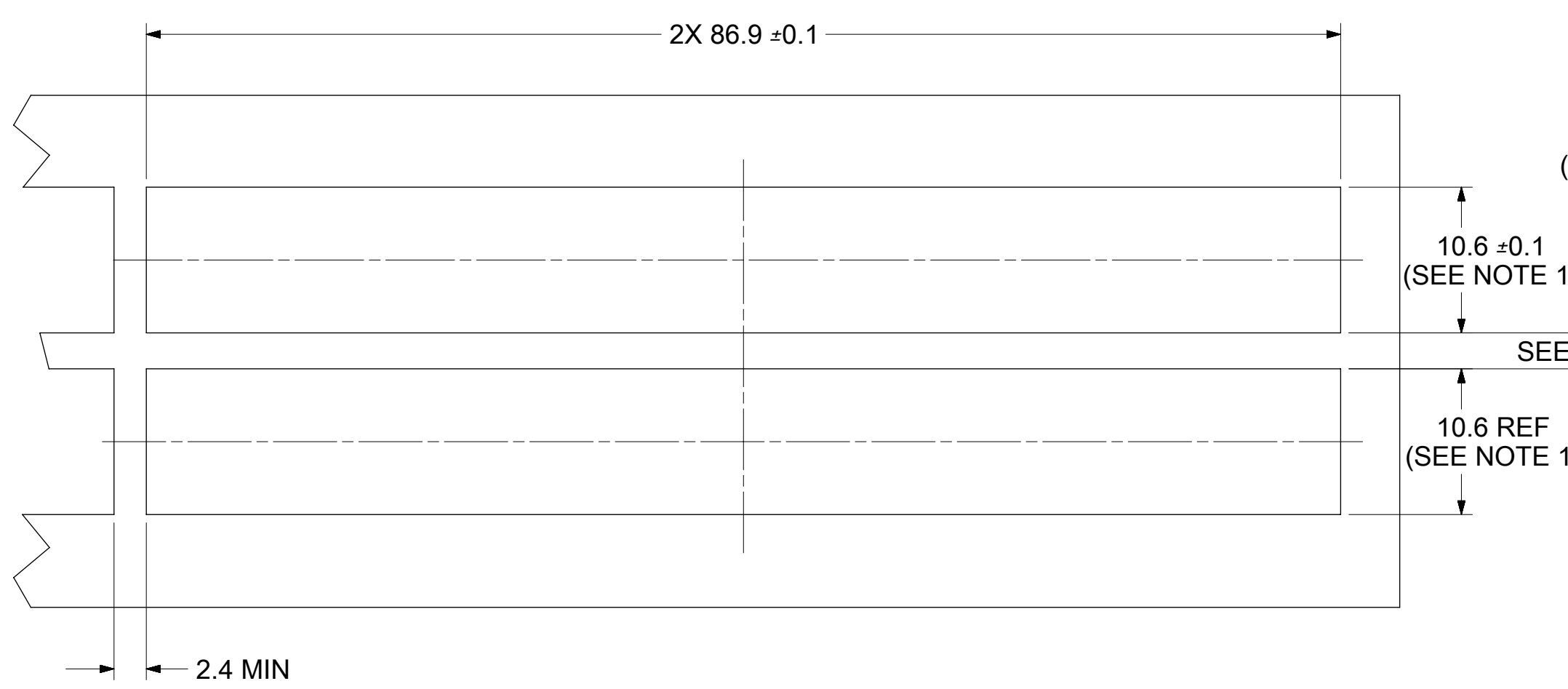
THIS DRAWING CONTAINS INFORMATION THAT IS PROPRIETARY TO MOLEX ELECTRONIC TECHNOLOGIES, LLC AND SHOULD NOT BE USED WITHOUT WRITTEN PERMISSION

SEE REVISION TABLE EC NO: 116175 DRWN: MHANUMAPPARE CHKD: DSUN15 REV / APPR: RCHEN08	GENERAL TOLERANCES (UNLESS SPECIFIED)		DIMENSION UNITS	SCALE	
	ANGULAR TOL ± 1.0 °		MM	4:1	
	4 PLACES ±	DRWN BY	DATE		
	3 PLACES ±	MHANUMAPPARE	2017/02/27		
	2 PLACES ± 0.13	CHKD BY	DATE		
1 PLACE ± 0.25	DSUN15	2017/04/27			
0 PLACES ±	APPR BY	DATE			
	RCHEN08	2017/05/03			
DRAFT WHERE APPLICABLE MUST REMAIN WITHIN DIMENSIONS		DRAWING SIZE	THIRD ANGLE PROJECTION		
		C			
		SERIES	MATERIAL NUMBER	CUSTOMER	
		111112	SEE SHEET 4	GENERAL MARKET	
		DOCUMENT NUMBER		DOC TYPE	DOC PART SHEET NUMBER
		1111122610		PSD	ASY 7 OF 9

BEZEL AND BOARD POSITION DIMENSIONS FOR SINGLE SIDE MOUNTING (ELASTOMERIC GASKET)

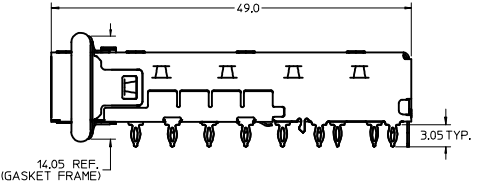
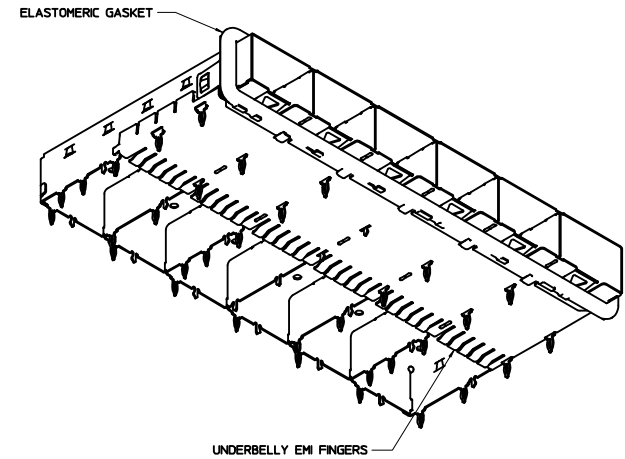
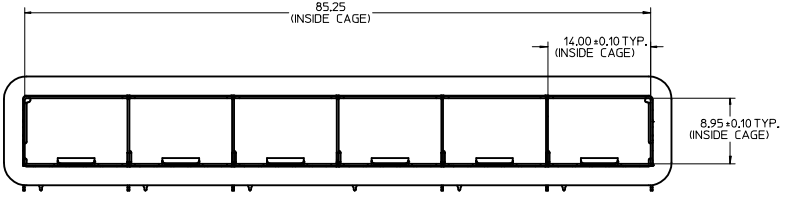
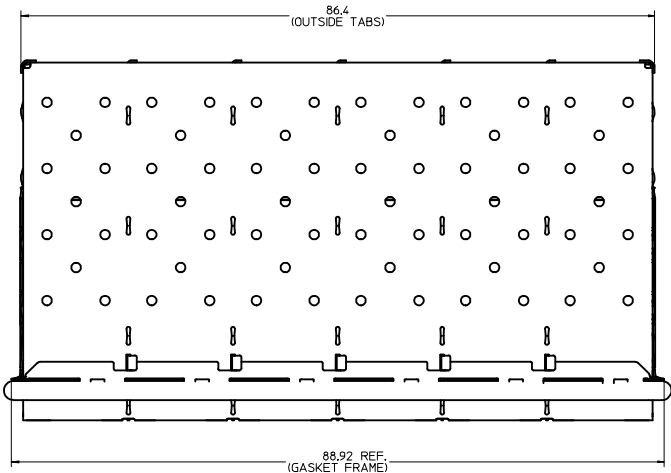


BEZEL AND BOARD POSITION DIMENSIONS FOR BELLY TO BELLY MOUNTING (ELASTOMERIC GASKET)

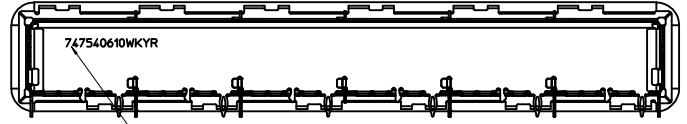
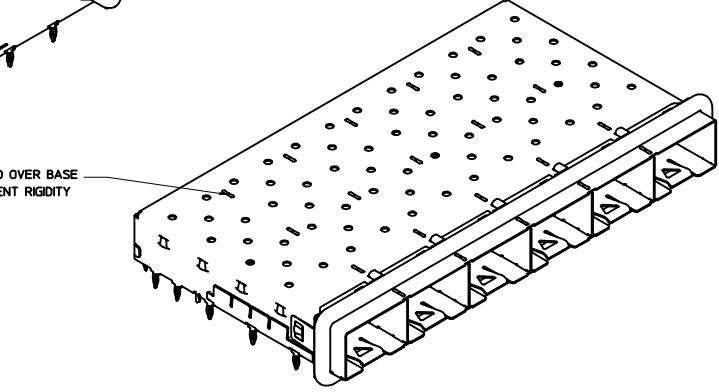


NOTE:
1. PCB THICKNESS VARIATION MUST BE CONSIDERED WHEN DETERMINING BEZEL OPENING LOCATION.

THIS DRAWING CONTAINS INFORMATION THAT IS PROPRIETARY TO MOLEX ELECTRONIC TECHNOLOGIES, LLC AND SHOULD NOT BE USED WITHOUT WRITTEN PERMISSION											
SEE REVISION TABLE EC NO: 116175 DRWN: MHANUMAPPARE CHKD: DSUN15 REV: APPR: RCHEN08	GENERAL TOLERANCES (UNLESS SPECIFIED)			DIMENSION UNITS		SCALE					
	ANGULAR TOL ± 1.0 °			MM		2.5:1					
	4 PLACES ±		DRWN BY		DATE		1X6 SFP+ CAGE.120 INCH PRESS FIT, HEAT SINK, ELASTOMERIC GASKET PRODUCT CUSTOMER DRAWING				
	3 PLACES ±		MHANUMAPPARE		2017/02/27						
	2 PLACES ± 0.13		CHKD BY		DATE						
	1 PLACE ± 0.25		DSUN15		2017/04/27						
0 PLACES ±		APPR BY		DATE		SERIES		MATERIAL NUMBER		CUSTOMER	
DRAFT WHERE APPLICABLE MUST REMAIN WITHIN DIMENSIONS		RCHEN08		2017/05/03		DRAWING SIZE		THIRD ANGLE PROJECTION		GENERAL MARKET	
C		111112		SEE SHEET 4		DOCUMENT NUMBER		DOC TYPE		DOC PART SHEET NUMBER	
E		1111122610		PSD		ASY		8 OF 9			



INNER WALLS ARE CONED OVER BASE AND COVER FOR EXCELLENT RIGIDITY



PART NO. AND WEEK/YEAR DATE CODE TO BE PRINTED ON BACK OF CAGE APPROXIMATELY AS SHOWN. SEE TABLE BELOW FOR DATE CODE INFORMATION.

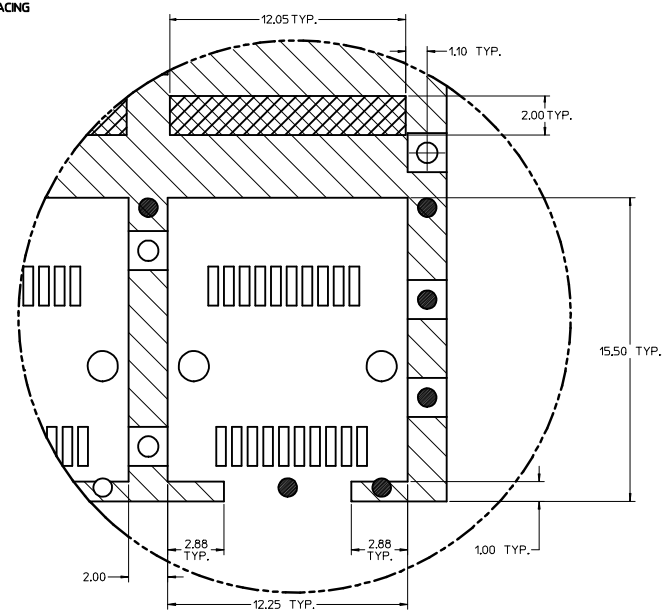
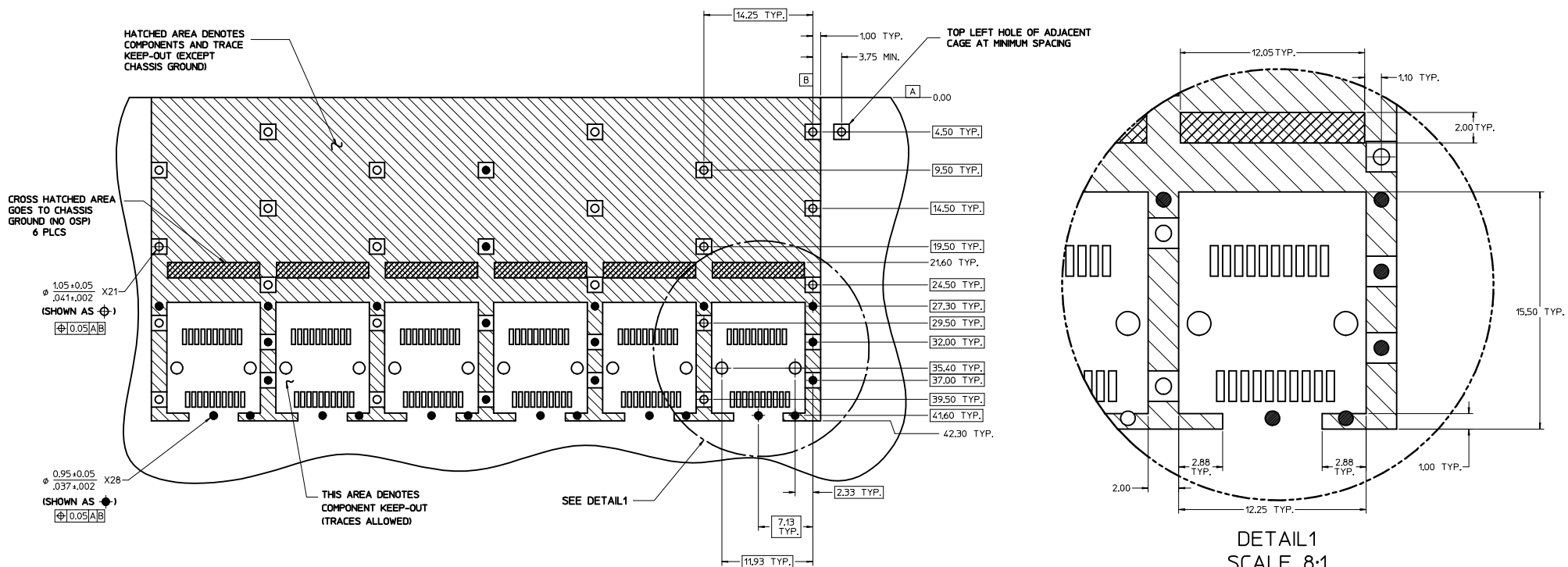
WEEK/YEAR DATE CODE TABLE		
WEEK - 01 THRU 52	EXAMPLE: 01 - FIRST WEEK OF YEAR	52 - LAST WEEK OF YEAR
YEAR - 08 OR 09, ETC.	EXAMPLE: 2008 - YEAR 08	

NOTES:

- MATERIAL:**
CAGE: NICKEL PLATED COPPER ALLOY, THICKNESS 0.25mm
SPRING FINGER: NICKEL PLATED COPPER ALLOY, THICKNESS 0.10mm
- PRESS FIT LEGS 3.05 LONG -**
1.57 MINIMUM PCB THICKNESS FOR SINGLE SIDED USE
3.00 MINIMUM PCB THICKNESS FOR BELLY TO BELLY USE
- OPTIONAL LIGHT PIPE ASSEMBLY AVAILABLE**
- PORTS ARE DESIGNED FOR SFP+ TRANSCEIVERS AND ARE COMPATIBLE WITH SFP TRANSCEIVERS**
- THIS PART MEETS THE RESTRICTION OF HAZARDOUS SUBSTANCES IN ELECTRICAL AND ELECTRONIC EQUIPMENT (ROHS) DIRECTIVE (2002/95/EC)**

REVISED IEC NO.: USY2011-0268 DRAWN BY: M. INSKI 2010/10/19 CHYK: APPR: K. JANOTA 2010/10/21 REV DESCRIPTION	QUALITY SYMBOLS	GENERAL TOLERANCES (UNLESS SPECIFIED)	DIMENSION STYLE	SCALE	DESIGN UNITS	THIRD ANGLE PROJECTION
	▽=0 ▽=0	mm INCH 4 PLACES ± --- ± --- 3 PLACES ± --- ± --- 2 PLACES ± 0.15 ± --- 1 PLACE ± 0.25 ± --- ANGULAR ± 1°	MM ONLY DRAWN BY: DATE CHIRSCHY 2007/05/04 CHECKED BY: DATE BRUSSELL 2007/05/04 APPROVED BY: DATE K. JANOTA 2010/10/21	3:1	METRIC	MOLEX INCORPORATED MATERIAL NO. 747540610 DOCUMENT NO. SD-74754-0610
DRAFT WHERE APPLICABLE MUST REMAIN WITHIN DIMENSIONS		THIS DRAWING CONTAINS INFORMATION THAT IS PROPRIETARY TO MOLEX INCORPORATED AND SHOULD NOT BE USED WITHOUT WRITTEN PERMISSION				

PCB LAYOUT FOR SINGLE SIDE MOUNT

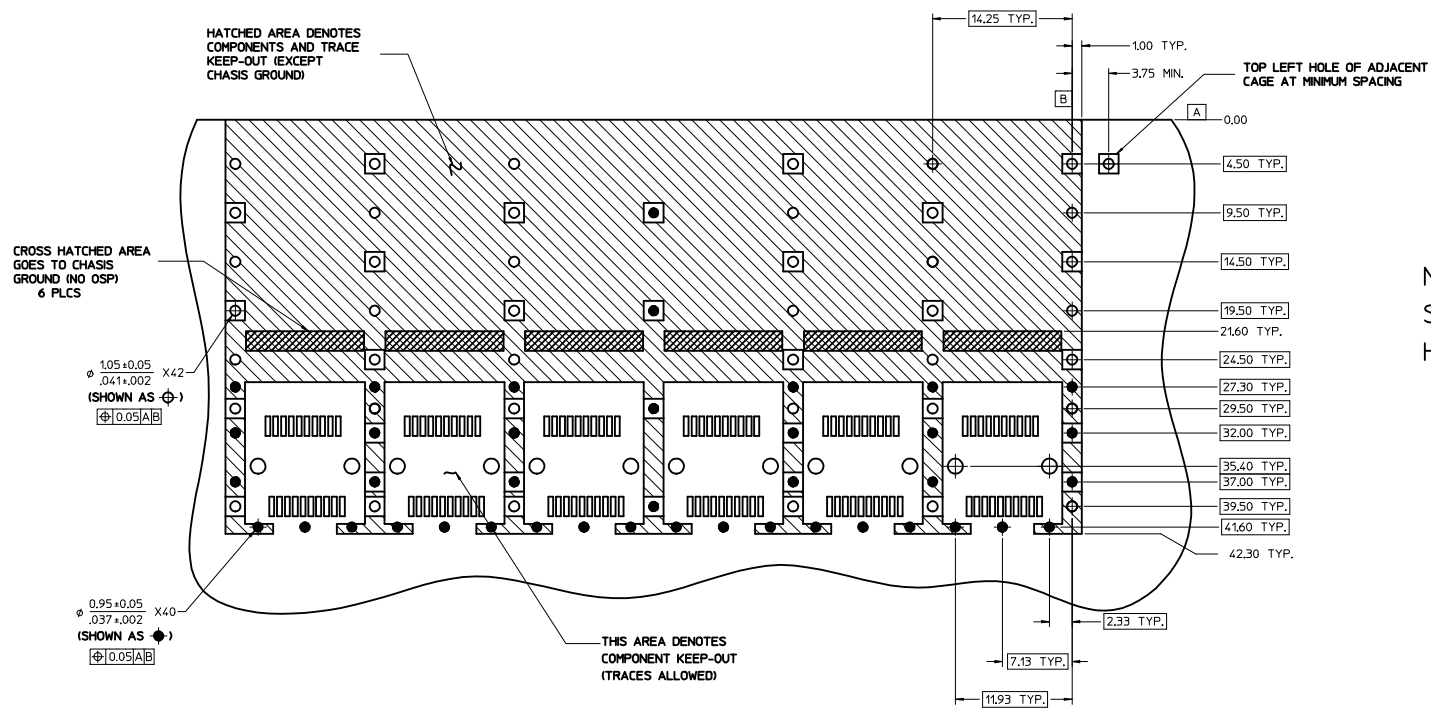


DETAIL 1
SCALE 8:1
HOST CONNECTOR DETAIL

- NOTES:**
1. PADS AND VIAS CONNECT TO CHASSIS GROUND (RECOMMEND PADS TO BE 2.00mm SQUARE)
 2. RECOMMENDED THRU HOLE PLATING INCLUDES HASL, OSP, OR IMMERSION (GOLD, SILVER, OR TIN).
 3. CONNECTOR PAD LAYOUT PER SFP+ MSA WILL ACCOMMODATE MOLEX CONNECTOR SERIES 74441 OR EQUIVALENT.
 4. HOLE PATTERN REPEATS FOR EACH PORT. SPACING BETWEEN PORTS IS 14.25mm.

REVISED EEC NO. USY2011-0268 DRAWN BY: M. INSKI 2010/10/19 CHYK: [blank] APPR: K. JANOTA 2010/10/21 REV DESCRIPTION	QUALITY SYMBOLS ▽=0 ▽=0		GENERAL TOLERANCES (UNLESS SPECIFIED) mm INCH 4 PLACES ± --- ± --- 3 PLACES ± --- ± --- 2 PLACES ± 0.15 ± --- 1 PLACE ± 0.25 ± --- ANGULAR ± 1°		DIMENSION STYLE MM ONLY SCALE 4:1 DESIGN UNITS METRIC THIRD ANGLE PROJECTION	
	DRAWN BY DATE CHIRSCHY 2007/05/04 CHECKED BY DATE BRUSSELL 2007/05/04 APPROVED BY DATE K.JANOTA 2010/10/21		TITLE SFP+ 1X6 GANGED CAGE W/ ELASTOMER GASKET		MATERIAL NO. DOCUMENT NO. 747540610 SD-74754-0610	
	DRAFT WHERE APPLICABLE MUST REMAIN WITHIN DIMENSIONS		MOLEX INCORPORATED		SHEET NO. 2 OF 4	
	THIS DRAWING CONTAINS INFORMATION THAT IS PROPRIETARY TO MOLEX INCORPORATED AND SHOULD NOT BE USED WITHOUT WRITTEN PERMISSION					

PCB LAYOUT FOR BELLY TO BELLY MOUNTING

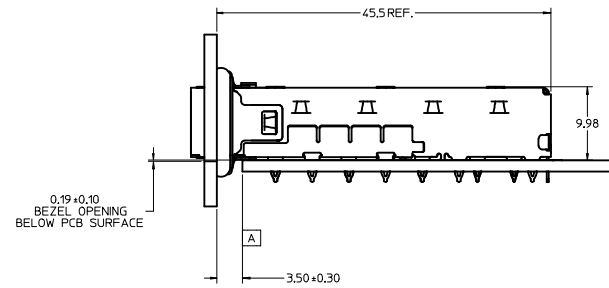
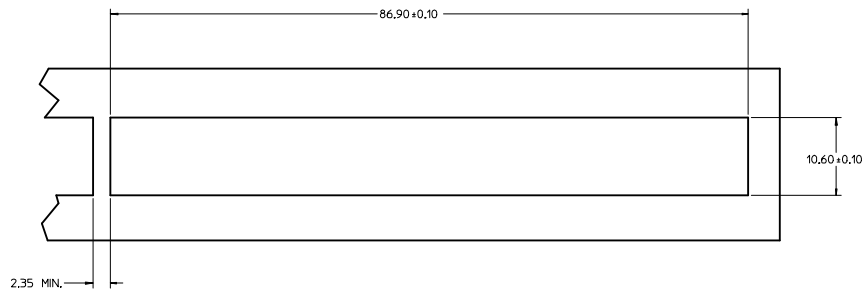


NOTES:

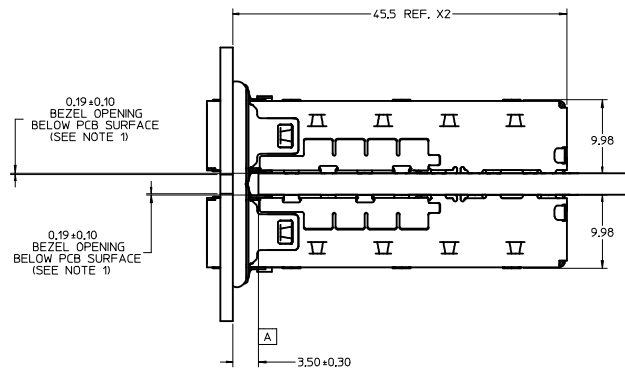
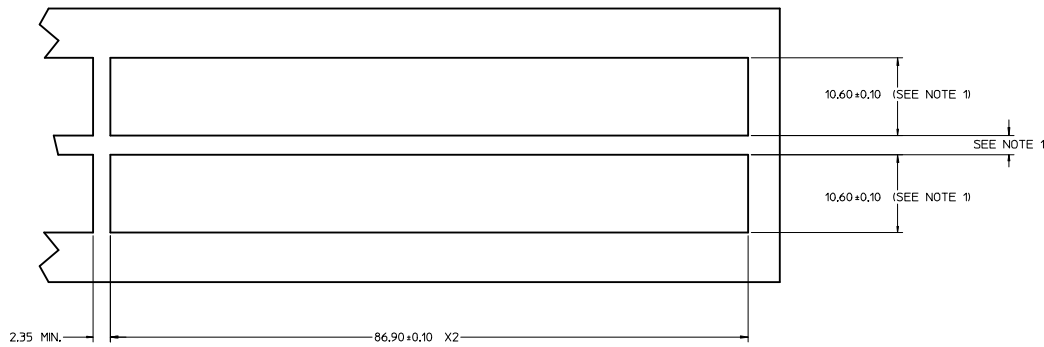
1. PADS AND VIAS CONNECT TO CHASSIS GROUND (RECOMMEND PADS TO BE 2.00mm SQUARE)
2. RECOMMENDED THRU HOLE PLATING INCLUDES HASL, OSP, OR IMMERSION (GOLD, SILVER, OR TIN).
3. CONNECTOR PAD LAYOUT PER SFP+ MSA WILL ACCOMMODATE MOLEX CONNECTOR SERIES 74441 OR EQUIVALENT.
4. HOLE PATTERN REPEATS FOR EACH PORT. SPACING BETWEEN PORTS IS 14.25mm.

REVISED EEC NO. USY2011-0268 DRAWN BY: INSKI 2010/10/19 CHYK: APPR: KJANOTA 2010/10/21 REV:	QUALITY SYMBOLS	GENERAL TOLERANCES (UNLESS SPECIFIED)	DIMENSION STYLE	SCALE	DESIGN UNITS	THIRD ANGLE PROJECTION	
	▽=0 ▽=0	mm INCH 4 PLACES ± --- ± --- 3 PLACES ± --- ± --- 2 PLACES ± 0.15 ± --- 1 PLACE ± 0.25 ± --- ANGULAR ± 1°	MM ONLY	4:1	METRIC	DRAWN BY: CHIRSCHY DATE: 2007/05/04 CHECKED BY: BRUSSELL DATE: 2007/05/04 APPROVED BY: KJANOTA DATE: 2010/10/21	
	DRAFT WHERE APPLICABLE MUST REMAIN WITHIN DIMENSIONS		MATERIAL NO. 747540610	MOLEX INCORPORATED		TITLE: SFP+ 1X6 GANGED CAGE W/ ELASTOMER GASKET DOCUMENT NO. SD-74754-0610 SHEET NO. 3 OF 4	
	THIS DRAWING CONTAINS INFORMATION THAT IS PROPRIETARY TO MOLEX INCORPORATED AND SHOULD NOT BE USED WITHOUT WRITTEN PERMISSION						

BEZEL AND BOARD POSITION DIMENSIONS FOR SINGLE SIDE MOUNTING
(GASKET)



BEZEL AND BOARD POSITION DIMENSIONS FOR BELLY TO BELLY MOUNTING
(GASKET)



NOTES:

1. PCB THICKNESS VARIATION MUST BE CONSIDERED WHEN DETERMINING BEZEL OPENING, SIZE, AND LOCATION.

REVISED EC NO. USY2011-0268 DRAWN BY MIKILINSKI 2010/10/19 CHKD: APPR: KJANOTA 2010/10/21	QUALITY SYMBOLS	GENERAL TOLERANCES (UNLESS SPECIFIED)	DIMENSION STYLE MM ONLY	SCALE 3:1	DESIGN UNITS METRIC	THIRD ANGLE PROJECTION
	<p>▽=0</p> <p>▽=0</p>	<p>4 PLACES ± mm ± INCH</p> <p>3 PLACES ± --- ± ---</p> <p>2 PLACES ± 0.15 ± ---</p> <p>1 PLACE ± 0.25 ± ---</p> <p>ANGULAR ± 1 °</p>	<p>DRAWN BY DATE</p> <p>CHIRSCHY 2007/05/04</p> <p>CHECKED BY DATE</p> <p>BRUSSELL 2007/05/04</p> <p>APPROVED BY DATE</p> <p>KJANOTA 2010/10/21</p>	TITLE	SFP+ 1X6 GANGED CAGE W/ ELASTOMER GASKET	
	DRAFT WHERE APPLICABLE MUST REMAIN WITHIN DIMENSIONS	MATERIAL NO.	747540610		DOCUMENT NO.	SD-74754-0610
		SIZE	D		SHEET NO. 4 OF 4	
THIS DRAWING CONTAINS INFORMATION THAT IS PROPRIETARY TO MOLEX INCORPORATED AND SHOULD NOT BE USED WITHOUT WRITTEN PERMISSION						