

NOTES:

1. MATERIALS:

- SHIELD - DEEP DRAWN STEEL
- HOUSING - GLASS FILLED POLYMER, BLACK, UL 94V-0
- CONTACTS - COPPER ALLOY

2. PLATING:

- TERMINALS - SELECTIVE GOLD (Au) THICKNESS IN CONTACT AREA, 0.38 MICROMETERS/15 MICROINCHES MINIMUM;
- SELECTIVE MATTE TIN (Sn) THICKNESS IN PC TAIL AREA, 2.54 MICROMETERS/100 MICROINCHES MINIMUM;
- OVER NICKEL (Ni) UNDERPLATE OVERALL.
- SHIELD - 2.54 MICROMETERS/100 MICROINCHES MINIMUM MATTE TIN (Sn) OVER 1.27 MICROMETERS/50 MICROINCHES MINIMUM NICKEL (Ni) OVER COPPER (Cu) UNDERPLATE OVERALL.

3. PC SMT TAILS AND 2 GROUND TABS ARE TO BE COPLANAR WITHIN 0.127/0.005.

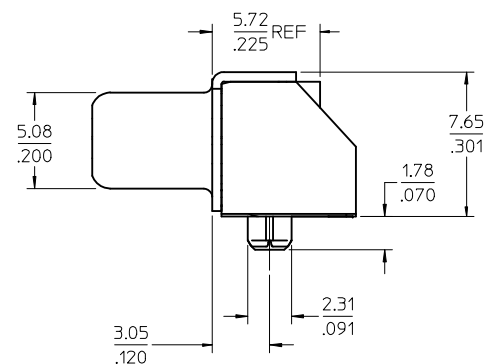
4. PARTS TO BE PACKAGED IN TAPE AND REEL. SEE CHART ON SHEET 2 FOR PACKAGING SPECIFICATION.

5. REFER TO SHEET 2 FOR RECOMMENDED PCB LAYOUT AND PANEL CUT-OUT.

6. RECOMMENDED JACK POST MOUNTING HARDWARE (QTY 2 PER ASSEMBLY), SEE CHART FOR ITEM NUMBERS AND SALES DRAWING SD-74962-000.

7. PRODUCT CONFORMS TO MOLEX PRODUCT SPECIFICATION PS-74960-000.

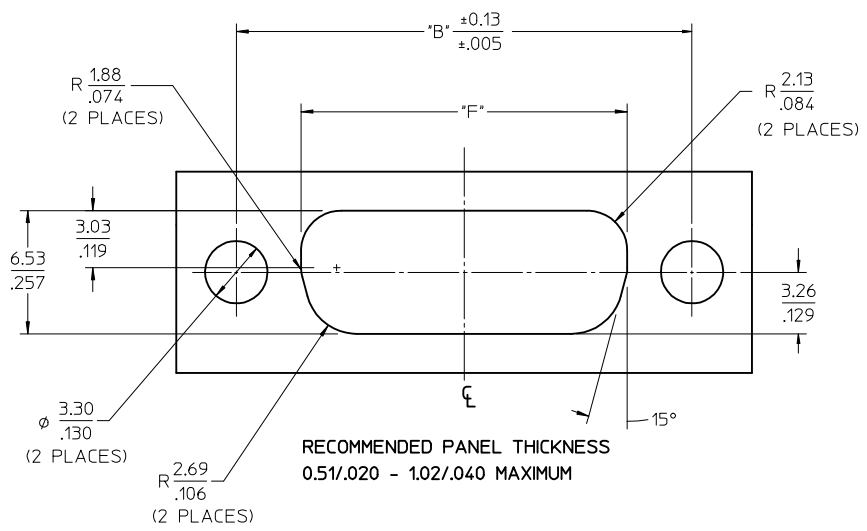
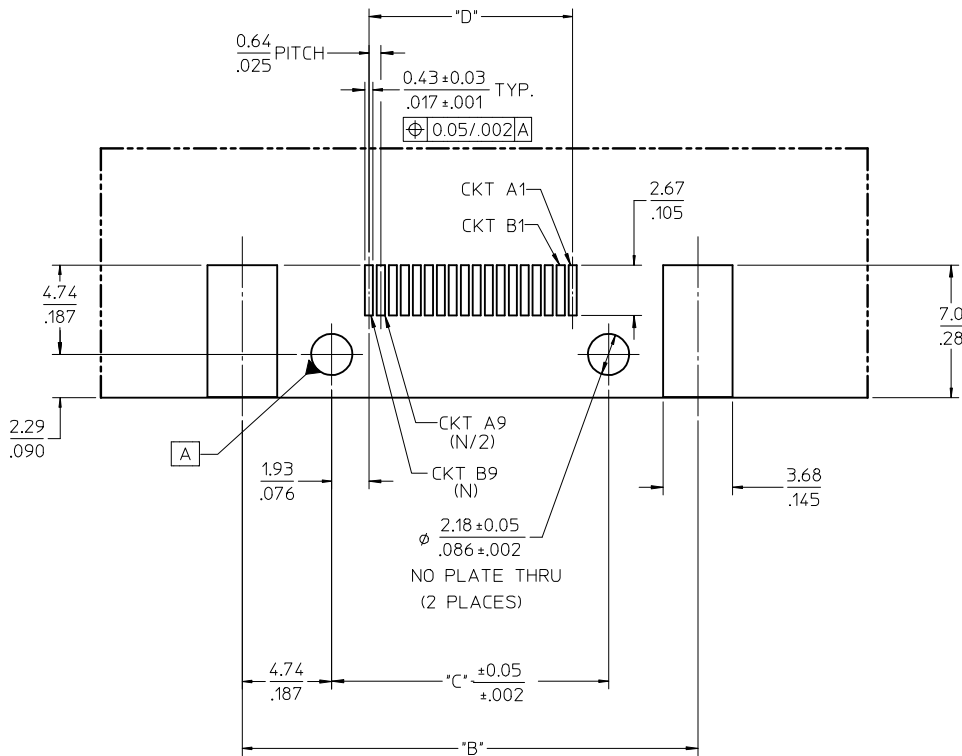
8. FOR TDP RECEPTACLE WITH M3 INTERNAL THREAD OPTION CONTACT PRODUCT MARKETING.



|  |                                   |                                       |  |           |   |                        |   |  |  |
|--|-----------------------------------|---------------------------------------|--|-----------|---|------------------------|---|--|--|
| REVISED PIN OUT<br>EC NO: UCP2009-3097<br>DRWN: JJANTELEZ 6/22/09<br>CHKD: 2009/08/14<br>APPR: MBANAKIS 2009/08/14 | QUALITY SYMBOLS<br>▽ = 0<br>▽ = 0 | GENERAL TOLERANCES (UNLESS SPECIFIED) |  | SCALE 5:1 | DESIGN UNITS INCH   | THIRD ANGLE PROJECTION | REVISE ON CAD ONLY  |  |  |
|  |                                   |                                       | mm   | INCH      | DIMENSION STYLE MM/IN   |                        | TITLE SALES DRAWING - PCIE/TDP SMT RECEPTACLE ASSEMBLY  |  |  |
|  |                                   | 4 PLACES                              | ± ---  | ± ---     | DRAWN BY JJANTELEZ  | DATE 07/15/2008        | MOLEX INCORPORATED<br>APPROVED BY BANAKIS DATE 07/15/2008 MATERIAL NO. SEE CHART DOCUMENT NO. SD-74960-010 SHEET NO. 1 OF 2 |  |  |
|  |                                   | 3 PLACES                              | ± ---  | ± .010    | CHECKED BY TMCCLELL   | DATE 07/15/2008        |   |  |  |
| 2 PLACES   | ± 0.25                            | ± .015                                | DRAFT WHERE APPLICABLE MUST REMAIN WITHIN DIMENSIONS |           | THIS DRAWING CONTAINS INFORMATION THAT IS PROPRIETARY TO MOLEX INCORPORATED AND SHOULD NOT BE USED WITHOUT WRITTEN PERMISSION |                        |   |  |  |
| 1 PLACE  | ± 0.38                            | ± ---                                 |  |           |   |                        |   |  |  |
|  |                                   | ANGULAR ±1/2°                         |  |           |   |                        |   |  |  |

NOTES:

1. ALL DIMENSIONS ON THIS SHEET ARE ±0.13/.005 TOLERANCE UNLESS OTHERWISE SPECIFIED.
2. DIMENSIONS SHOWN ABOUT A CENTERLINE ARE SYMMETRICAL ABOUT THAT CENTERLINE WITHIN HALF THE SPECIFIED TOLERANCE.



| NOT TOOLED | MATERIAL NUMBER | CIRCUIT SIZE | *A* DIMENSION  | *B* DIMENSION  | *C* DIMENSION  | *D* DIMENSION  | *E* DIMENSION  | *F* DIMENSION  | PACKAGING SPECIFICATION       |
|------------|-----------------|--------------|----------------|----------------|----------------|----------------|----------------|----------------|-------------------------------|
|            | 74960-3018      | 18           | 30.48<br>1.200 | 24.13<br>.950  | 14.66<br>.577  | 10.80<br>.425  | 15.87<br>.625  | 17.27<br>.680  | PK-74960-995                  |
|            | 74960-3028      | 28           | 36.83<br>1.450 | 30.48<br>1.200 | 21.01<br>.827  | 17.15<br>.675  | 22.17<br>.873  | 23.62<br>.930  | PK-74960-995                  |
| X          | 74960-3038      | 38           | 43.18<br>1.700 | 36.83<br>1.450 | 27.36<br>1.077 | 23.50<br>.925  | 28.52<br>1.123 | 29.97<br>1.180 | N/A CONTACT PRODUCT MARKETING |
|            | 74960-3048      | 48           | 49.53<br>1.950 | 43.18<br>1.700 | 33.71<br>1.327 | 29.85<br>1.175 | 34.87<br>1.373 | 36.32<br>1.430 | PK-74960-996                  |
| X          | 74960-3072      | 72           | 64.77<br>2.550 | 58.42<br>2.300 | 48.95<br>1.927 | 45.09<br>1.775 | 50.11<br>1.973 | 51.56<br>2.030 | N/A CONTACT PRODUCT MARKETING |

RECOMMENDED JACKPOST INTERNAL THREAD OPTIONS (SEE NOTE 6 ON SHEET 1)

|            |            |
|------------|------------|
| 4-40       | M3         |
| 74962-0001 | 74962-0002 |

4-40 THREAD INTERNAL THREAD

|  |                 |  |                |              |   |  |        |
|--|-----------------|--|----------------|--------------|---|--|--------|
| SEE SHEET 1<br>EC NO: UCP2009-3097<br>DRWN: JJANTELEZ 6/22/09<br>CHKD: 2009/08/14<br>APPR: MBANAKIS 2009/08/14 | QUALITY SYMBOLS | GENERAL TOLERANCES (UNLESS SPECIFIED)                | SCALE          | DESIGN UNITS | THIRD ANGLE PROJECTION  | REVISE ON CAD ONLY                               |        |
|  | ▽ - 0           |  | mm             | INCH         |   |  |        |
|  | ▽ - 0           |  | 4 PLACES ± --- | ± ---        | DIMENSION STYLE   | TITLE  |        |
|  |                 |  | 3 PLACES ± --- | ± .010       | MM/IN   | SALES DRAWING - PCIE/TDP SMT RECEPTACLE ASSEMBLY |        |
|  | 2 PLACES ± 0.25 | ± .015   | DRAWN BY       | DATE         | MOLEX INCORPORATED  | MATERIAL NO. DOCUMENT NO. SHEET NO.              |        |
|  | 1 PLACE ± 0.38  | ± ---  | JJANTELEZ      | 07/15/2008   |   |  |        |
|  | ANGULAR ± 1/2°  |  | CHECKED BY     | DATE         | SEE CHART   | SD-74960-010                                     | 2 OF 2 |
|  |                 |  | APPROVED BY    | DATE         | THIS DRAWING CONTAINS INFORMATION THAT IS PROPRIETARY TO MOLEX INCORPORATED AND SHOULD NOT BE USED WITHOUT WRITTEN PERMISSION |  |        |
|  |                 | DRAFT WHERE APPLICABLE MUST REMAIN WITHIN DIMENSIONS | BANAKIS        | 07/15/2008   |   |  |        |