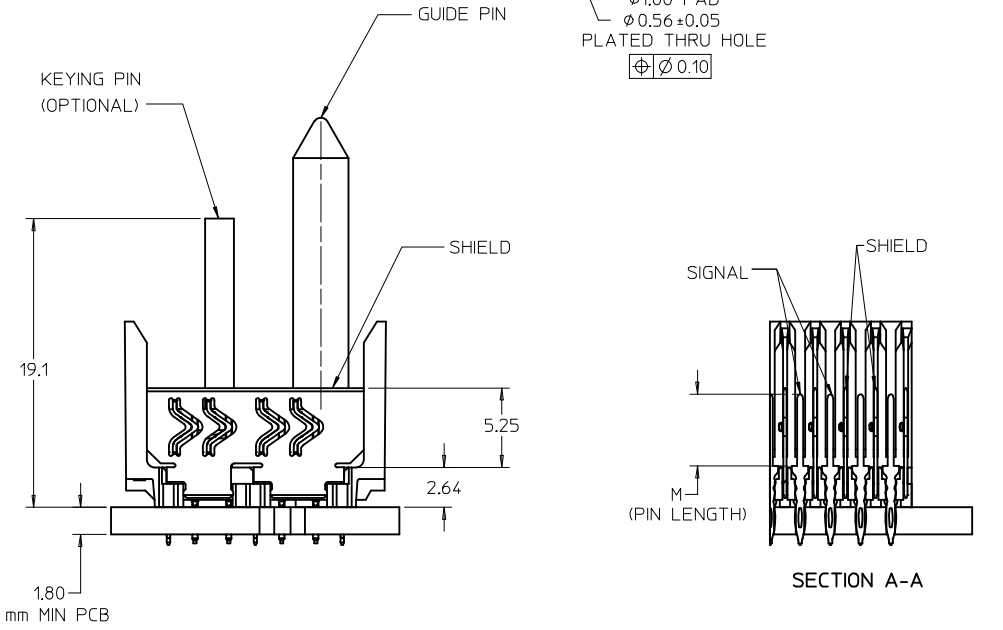
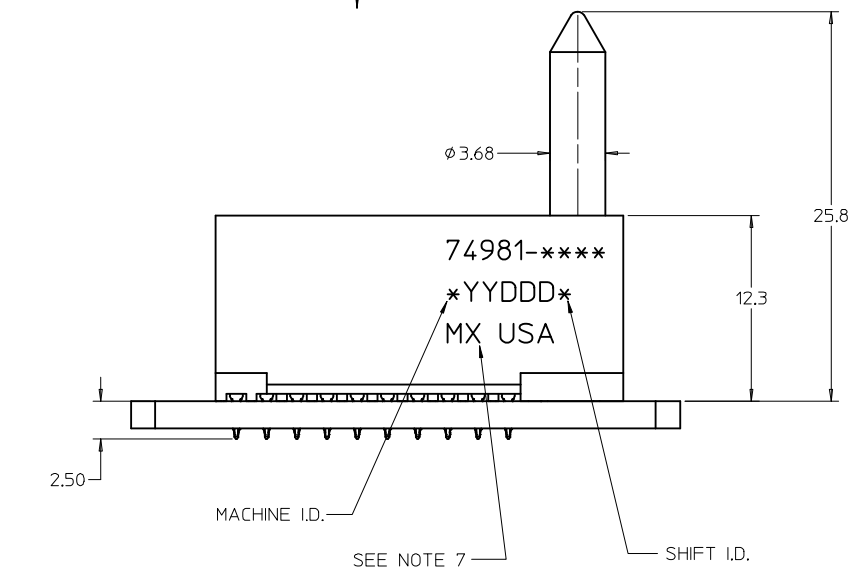


BACKPLANE HOLE PATTERN
RECOMMENDED DIMENSIONS

$\phi 0.66$ DRILL
 $\phi 1.00$ PAD
 $\phi 0.56 \pm 0.05$
 PLATED THRU HOLE
 $\phi \pm 0.10$

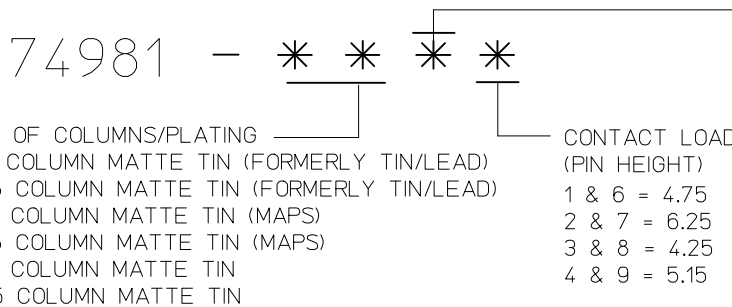
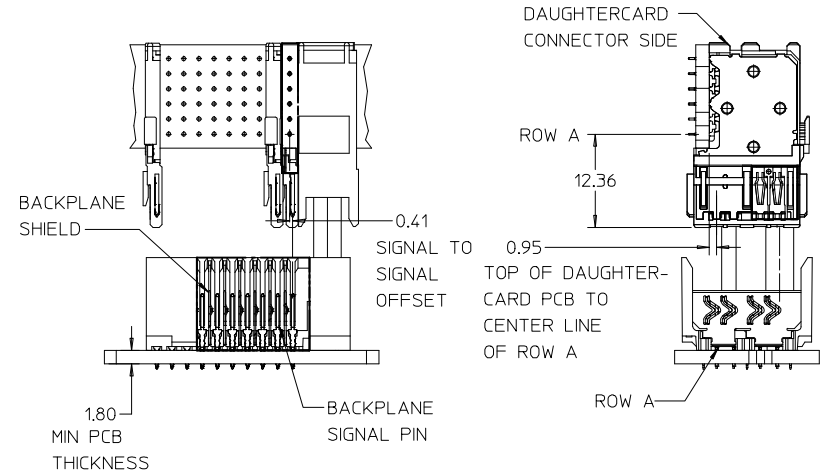


THE PRIMARY CARTON WITH A LABEL STATING "ELV AND RoHS COMPLAINT" IS LEAD FREE. CARTONS WITHOUT THIS LABEL MAY CONTAIN LEAD.

- NOTES:
1. MATERIAL: HOUSING-LIQUID CRYSTAL POLYMER (LCP) GLASS-FILLED. UL 94V-0. COLOR-BLACK. SIGNAL AND SHIELD - HIGH PERFORMANCE COPPER ALLOY.
 2. FINISHES:
CONTACT AREA: SELECTIVE GOLD (Au)
PCB TAILS: SELECTIVE MATTE TIN (Sn)
NICKEL (Ni) OVERALL.
 3. THIS PART CONFORMS TO MOLEX PRODUCT SPECIFICATION PS-74031-999.
 4. FOR MIXED CONTACT LENGTHS - CONSULT MOLEX FOR AVAILABILITY.
 5. FOR SPECIFIC PART NUMBER AND MATING INFORMATION REFER TO SHEET 2.
 6. PACKAGE PER PK-74058-003.
 7. MARK PART NUMBER AND DATE CODE APPROXIMATELY WHERE SHOWN
 8. MAPS (MOLEX ADVANCED PLATING SYSTEM).

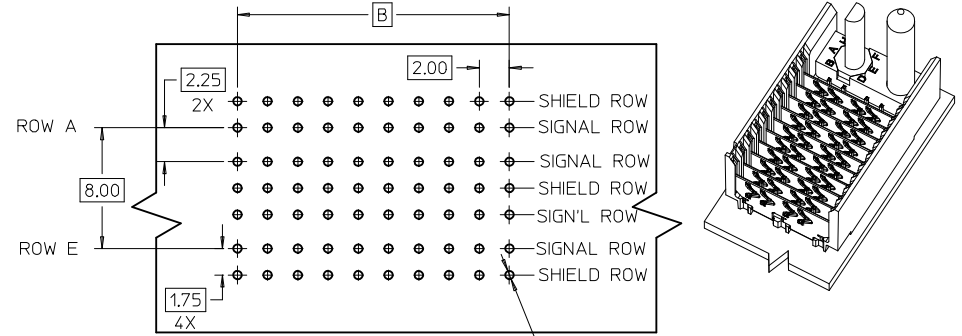
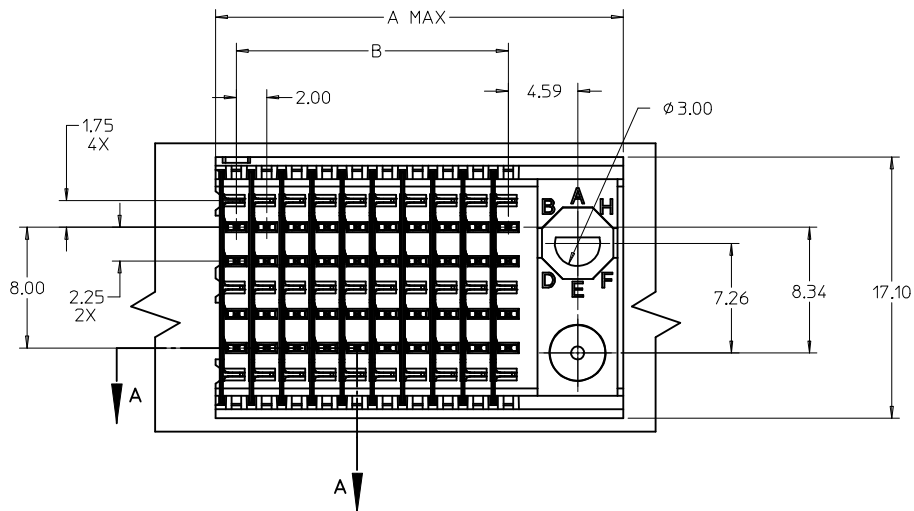
LEAD FREE CONVERSION EC NO: UCP2013-0687 DRWNGES 2012/08/22 CHKD:MMOLFE 2012/11/27 APPR:SMILLER 2012/12/14	QUALITY SYMBOLS $\nabla = 0$ $\nabla = 0$ $\nabla = 0$	GENERAL TOLERANCES (UNLESS SPECIFIED)		DIMENSION STYLE MM ONLY		SCALE 4:1	DESIGN UNITS METRIC	THIRD ANGLE PROJECTION		
		mm	INCH	DRAWN BY NMARTIN	DATE 2002/09/06	HSD SALES ASSEMBLY 6 ROW SHIELD END BACKPLANE molex				
		4 PLACES \pm ---	\pm ---	CHECKED BY SREED	DATE 2002/09/06					
		3 PLACES \pm ---	\pm ---	APPROVED BY CBIXLER	DATE 2002/09/06	MATERIAL NO. SEE SHT.2		DOCUMENT NO. SD-74981-010	SHEET NO. 1 OF 2	
ANGULAR $\pm 1^\circ$		DRAFT WHERE APPLICABLE MUST REMAIN WITHIN DIMENSIONS			THIS DRAWING CONTAINS INFORMATION THAT IS PROPRIETARY TO MOLEX INCORPORATED AND SHOULD NOT BE USED WITHOUT WRITTEN PERMISSION					

PART NUMBER	COLUMN	NUMBER OF SIGNAL PIN	NUMBER OF SHIELD	A	B	M	GOLD THICKNESS MICROMETER	TIN THICKNESS MICROMETER		
74981-60*1	10	40	10	27.00	18.00	4.75	0.25 MAPS	0.76-1.52		
74981-*0*1							0.76			
74981-*0*6							1.27			
74981-75*1	25	100	25	57.00	48.00	4.75	0.25 MAPS		0.76-1.52	
74981-*5*1							0.76			
74981-*5*6							1.27			
74981-60*2	10	40	10	27.00	18.00	6.25	0.25 MAPS			0.76-1.52
74981-*0*2							0.76			
74981-*0*7							1.27			
74981-75*2	25	100	25	57.00	48.00	6.25	0.25 MAPS	0.76-1.52		
74981-*5*2							0.76			
74981-*5*7							1.27			
74981-60*3	10	40	10	27.00	18.00	4.25	0.25 MAPS		0.76-1.52	
74981-*0*3							0.76			
74981-*0*8							1.27			
74981-75*3	25	100	25	57.00	48.00	4.25	0.25 MAPS			0.76-1.52
74981-*5*3							0.76			
74981-*5*8							1.27			
74981-60*4	10	40	10	27.00	18.00	5.15	0.25 MAPS	0.76-1.52		
74981-*0*4							0.76			
74981-*0*9							1.27			
74981-75*4	25	100	25	57.00	48.00	5.15	0.25 MAPS		0.76-1.52	
74981-*5*4							0.76			
74981-*5*9							1.27			



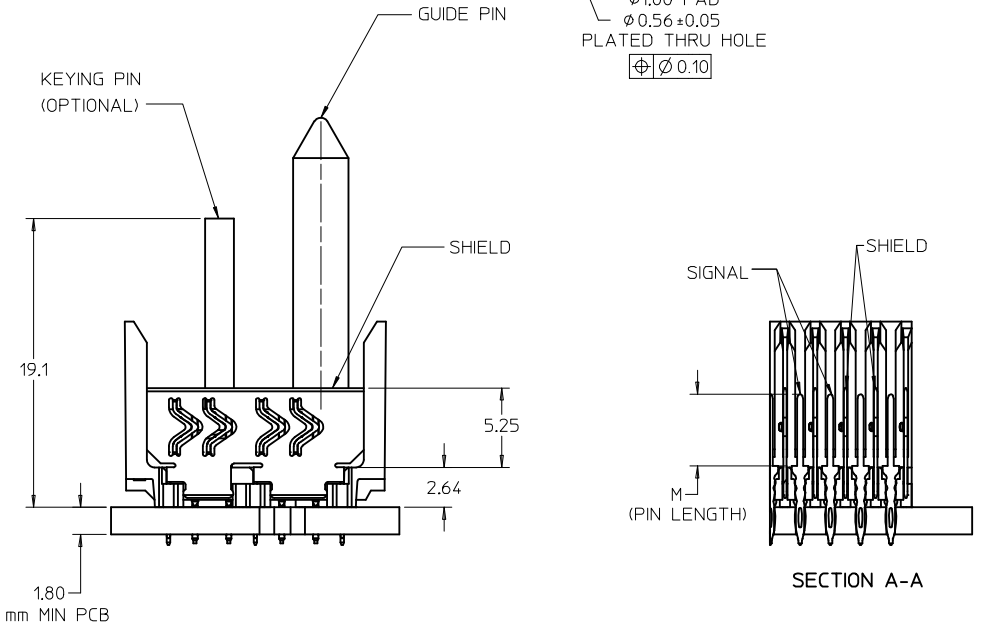
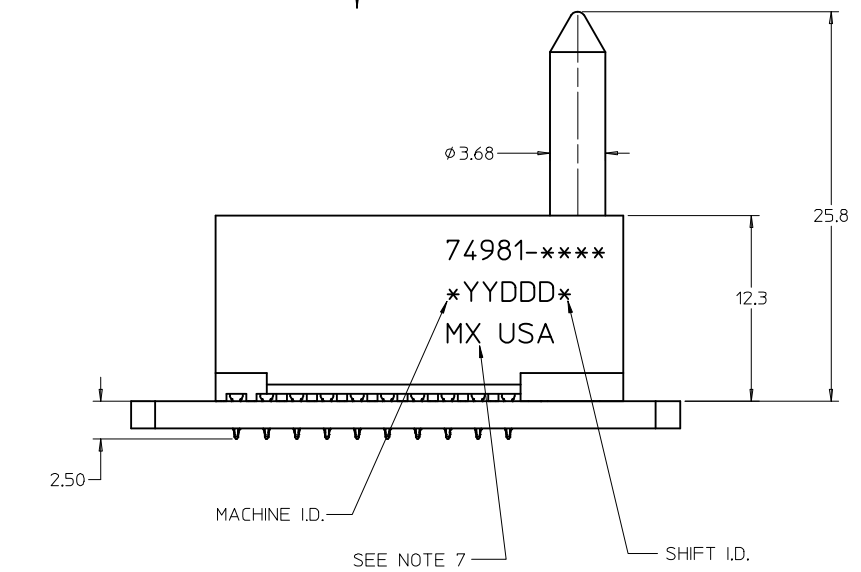
P/N	--*0*	--*1*	--*2*	--*3*	--*4*	--*5*	--*6*	--*7*	--*8*
74981-()	0	A	B	C	D	E	F	G	H
KEYING PIN ORIENTATION									

SEE SHEET 1 EC NO: UCP2013-0687 DRAWINGS 2012/08/22 CHKD:WOLFE 2012/11/27 APPR:SMILLER 2012/12/14 REV DESCRIPTION	QUALITY SYMBOLS	GENERAL TOLERANCES (UNLESS SPECIFIED)	DIMENSION STYLE	SCALE	DESIGN UNITS	THIRD ANGLE PROJECTION
	▽=0	mm INCH	MM ONLY	4:1	METRIC	
	▽=0	4 PLACES ± --- ± ---	DRAWN BY DATE	TITLE	DOCUMENT NO.	SHEET NO.
	▽=0	3 PLACES ± --- ± ---	NMARTIN 2002/09/06			
	2 PLACES ± --- ± ---	CHECKED BY DATE	HSD SALES ASSEMBLY 6 ROW SHIELD END BACKPLANE 			
	1 PLACE ± --- ± ---	SREED 2002/09/06				
	0 PLACE ± ±	APPROVED BY DATE	SD-74981-010			
		CBI XLER 2002/09/06	2 OF 2			
			THIS DRAWING CONTAINS INFORMATION THAT IS PROPRIETARY TO MOLEX INCORPORATED AND SHOULD NOT BE USED WITHOUT WRITTEN PERMISSION			



BACKPLANE HOLE PATTERN
RECOMMENDED DIMENSIONS

0.66 DRILL
1.00 PAD
0.56 ± 0.05
PLATED THRU HOLE
Ø 0.10

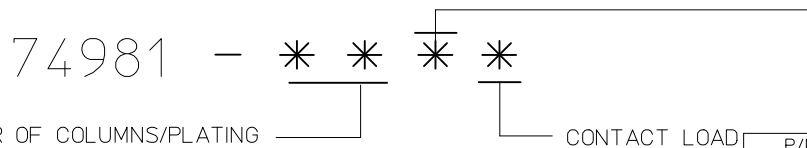
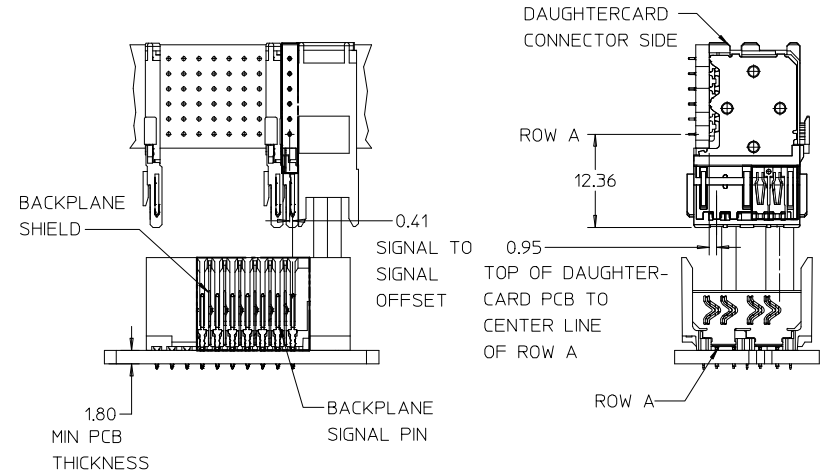


- NOTES:
1. MATERIAL: HOUSING-LIQUID CRYSTAL POLYMER (LCP) GLASS-FILLED. UL 94V-0. COLOR-BLACK. SIGNAL AND SHIELD - HIGH PERFORMANCE COPPER ALLOY.
 2. FINISHES:
CONTACT AREA: SELECTIVE GOLD (Au)
PCB TAILS: SELECTIVE MATTE TIN (Sn)
NICKEL (Ni) OVERALL.
 3. THIS PART CONFORMS TO MOLEX PRODUCT SPECIFICATION PS-74031-999.
 4. FOR MIXED CONTACT LENGTHS - CONSULT MOLEX FOR AVAILABILITY.
 5. FOR SPECIFIC PART NUMBER AND MATING INFORMATION REFER TO SHEET 2.
 6. PACKAGE PER PK-74058-003.
 7. MARK PART NUMBER AND DATE CODE APPROXIMATELY WHERE SHOWN
 8. MAPS (MOLEX ADVANCED PLATING SYSTEM).

THE PRIMARY CARTON WITH A LABEL STATING "ELV AND RoHS COMPLAINT" IS LEAD FREE. CARTONS WITHOUT THIS LABEL MAY CONTAIN LEAD.

LEAD FREE CONVERSION EC NO: UCP2013-0687 DRAWINGS: 2012/08/22 CHKD:MMOLFE 2012/11/27 APPR:SMILLER 2012/12/14	QUALITY SYMBOLS ▽=0 ▽=0 ▽=0	GENERAL TOLERANCES (UNLESS SPECIFIED)		DIMENSION STYLE MM ONLY		SCALE 4:1	DESIGN UNITS METRIC	THIRD ANGLE PROJECTION			
		4 PLACES ± --- ± --- 3 PLACES ± --- ± --- 2 PLACES ± --- ± --- 1 PLACE ± --- ± --- 0 PLACE ± --- ± ---	mm INCH ± --- ± --- ± --- ± --- ± --- ± --- ± --- ± ---	DRAWN BY NMARTIN DATE 2002/09/06	CHECKED BY SREED DATE 2002/09/06	TITLE HSD SALES ASSEMBLY 6 ROW SHIELD END BACKPLANE		molex		SHEET NO. 1 OF 2	
		ANGULAR ± 1 °		APPROVED BY CBIXLER DATE 2002/09/06		MATERIAL NO. SEE SHT.2		DOCUMENT NO. SD-74981-010		THIS DRAWING CONTAINS INFORMATION THAT IS PROPRIETARY TO MOLEX INCORPORATED AND SHOULD NOT BE USED WITHOUT WRITTEN PERMISSION	
		DRAFT WHERE APPLICABLE MUST REMAIN WITHIN DIMENSIONS		SIZE C							

PART NUMBER	COLUMN	NUMBER OF SIGNAL PIN	NUMBER OF SHIELD	A	B	M	GOLD THICKNESS MICROMETER	TIN THICKNESS MICROMETER	
74981-60*1	10	40	10	27.00	18.00	4.75	0.25 MAPS	0.76-1.52	
74981-*0*1							0.76		
74981-*0*6							1.27		
74981-75*1	25	100	25	57.00	48.00	0.25 MAPS	0.76-1.52		
74981-*5*1						0.76			
74981-*5*6						1.27			
74981-60*2	10	40	10	27.00	18.00	0.25 MAPS			0.76-1.52
74981-*0*2						0.76			
74981-*0*7						1.27			
74981-75*2	25	100	25	57.00	48.00	0.25 MAPS		0.76-1.52	
74981-*5*2						0.76			
74981-*5*7						1.27			
74981-60*3	10	40	10	27.00	18.00	0.25 MAPS	0.76-1.52		
74981-*0*3						0.76			
74981-*0*8						1.27			
74981-75*3	25	100	25	57.00	48.00	0.25 MAPS			0.76-1.52
74981-*5*3						0.76			
74981-*5*8						1.27			
74981-60*4	10	40	10	27.00	18.00	0.25 MAPS		0.76-1.52	
74981-*0*4						0.76			
74981-*0*9						1.27			
74981-75*4	25	100	25	57.00	48.00	0.25 MAPS	0.76-1.52		
74981-*5*4						0.76			
74981-*5*9						1.27			



74981 - * * * *

NUMBER OF COLUMNS/PLATING
 10 = 10 COLUMN MATTE TIN (FORMERLY TIN/LEAD)
 25 = 25 COLUMN MATTE TIN (FORMERLY TIN/LEAD)
 60 = 10 COLUMN MATTE TIN (MAPS)
 75 = 25 COLUMN MATTE TIN (MAPS)
 90 = 10 COLUMN MATTE TIN
 85 = 25 COLUMN MATTE TIN

CONTACT LOAD (PIN HEIGHT)
 1 & 6 = 4.75
 2 & 7 = 6.25
 3 & 8 = 4.25
 4 & 9 = 5.15

P/N	--*0*	--*1*	--*2*	--*3*	--*4*	--*5*	--*6*	--*7*	--*8*
74981-()	0	A	B	C	D	E	F	G	H
KEYING PIN ORIENTATION									

SEE SHEET 1 EC NO: UCP2013-0687 DRAWINGS 2012/08/22 CHKD:WOLFE 2012/11/27 APPR:SMILLER 2012/12/14 REV DESCRIPTION	QUALITY SYMBOLS	GENERAL TOLERANCES (UNLESS SPECIFIED)	DIMENSION STYLE	SCALE	DESIGN UNITS	THIRD ANGLE PROJECTION
	▽=0	mm INCH	MM ONLY	4:1	METRIC	
	▽=0	4 PLACES ± --- ± ---	DRAWN BY DATE	TITLE	DOCUMENT NO.	SHEET NO.
	▽=0	3 PLACES ± --- ± ---	NMARTIN 2002/09/06			
	2 PLACES ± --- ± ---	CHECKED BY DATE	HSD SALES ASSEMBLY 6 ROW SHIELD END BACKPLANE 			
	1 PLACE ± --- ± ---	SREED 2002/09/06				
	0 PLACE ± ±	APPROVED BY DATE	SD-74981-010			
		CBI XLER 2002/09/06	2 OF 2			
			THIS DRAWING CONTAINS INFORMATION THAT IS PROPRIETARY TO MOLEX INCORPORATED AND SHOULD NOT BE USED WITHOUT WRITTEN PERMISSION			