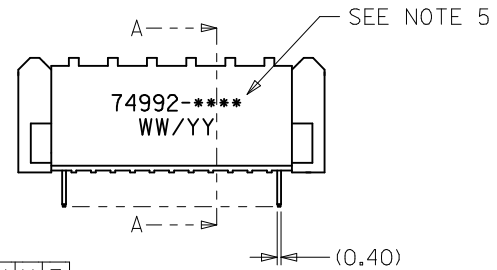
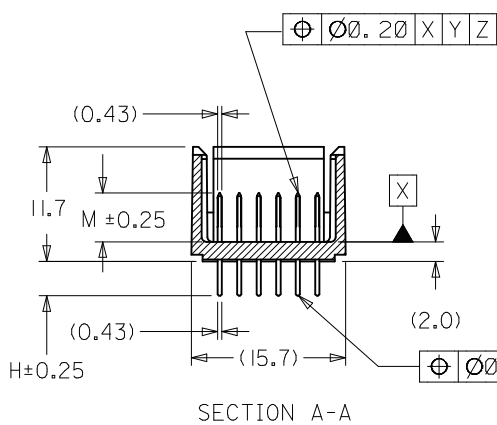
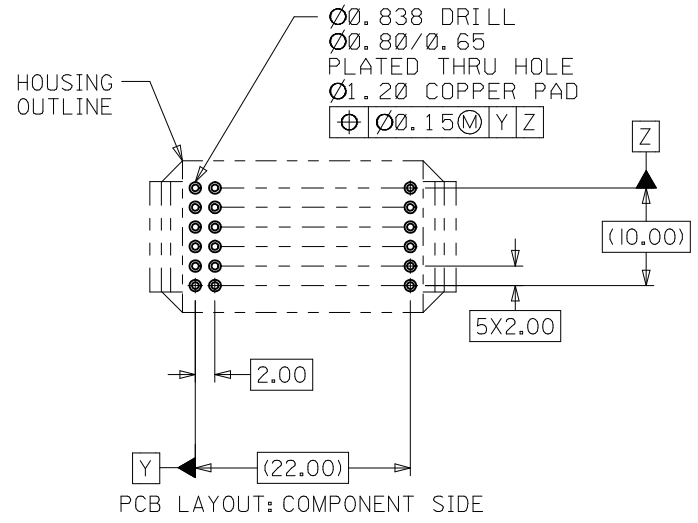
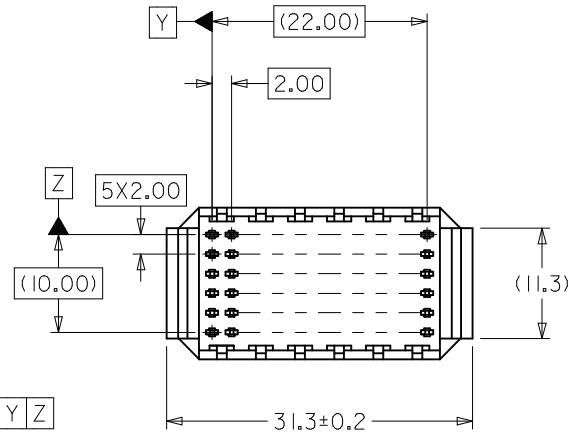


**NOTES:**

1. MATERIALS: HOUSING--LIQUID CRYSTAL POLYMER (LCP), GLASS-FILLED, UL94V-0, COLOR: BLACK, TERMINAL: PHOSPHOR BRONZE.
2. FINISH: SEE SHEET 2.
3. THIS PART CONFORMS TO MOLEX PRODUCT SPECIFICATIONS PS-73670-9999 AND PS-73780-999.
4. PACKAGE PER PK-70873-0818 OR PK-70873-0868.
5. PARTS MARKED WITH PART NUMBER AND DATE CODE, ON EITHER SIDE, APPROXIMATELY WHERE SHOWN.



<b>LEAD FREE CONVERSION</b> EC NO: UCP2013-3253 DRWN:RWHIPPLE 2013/02/04 CHKD:MWOLFE 2013/02/05 APPR:SMILLER 2013/08/05	QUALITY SYMBOLS ▽/0 ▽/0 ▽/0	GENERAL TOLERANCES (UNLESS SPECIFIED) <table border="1"> <thead> <tr> <th></th> <th>mm</th> <th>INCH</th> </tr> </thead> <tbody> <tr> <td>4 PLACES</td> <td>±---</td> <td>±---</td> </tr> <tr> <td>3 PLACES</td> <td>±---</td> <td>±---</td> </tr> <tr> <td>2 PLACES</td> <td>±0.13</td> <td>±---</td> </tr> <tr> <td>1 PLACE</td> <td>±0.25</td> <td>±---</td> </tr> <tr> <td>0 PLACE</td> <td>±---</td> <td>±---</td> </tr> </tbody> </table>		mm	INCH	4 PLACES	±---	±---	3 PLACES	±---	±---	2 PLACES	±0.13	±---	1 PLACE	±0.25	±---	0 PLACE	±---	±---	DIMENSION STYLE <b>MM ONLY</b>	SCALE <b>2:1</b>	DESIGN UNITS <b>METRIC</b>	THIRD ANGLE PROJECTION
		mm	INCH																					
	4 PLACES	±---	±---																					
	3 PLACES	±---	±---																					
2 PLACES	±0.13	±---																						
1 PLACE	±0.25	±---																						
0 PLACE	±---	±---																						
DESCRIPTION D	ANGULAR ±1/2° DRAFT WHERE APPLICABLE MUST REMAIN WITHIN DIMENSIONS	DRAWN BY JBINGHAM	DATE 2001/10/08	TITLE <b>SALES ASSY HDM BACKPLANE DOUBLE END WALL OPTION 72 POSITION</b>																				
REV	MATERIAL NO. <b>SEE SHEET 2</b>	CHECKED BY SREED	DATE 2001/10/08	DOCUMENT NO. <b>SD-74992-001</b>																				
SIZE B	THIS DRAWING CONTAINS INFORMATION THAT IS PROPRIETARY TO MOLEX INCORPORATED AND SHOULD NOT BE USED WITHOUT WRITTEN PERMISSION	APPROVED BY SMILLER	DATE 2013/08/05	SHEET NO. 1 OF 2																				

FINISH:

GOLD FLASH:

- 0) 0.75 MICROMETERS MINIMUM SELECTIVE GOLD (Au) IN MATING AREA
- 0.05 MICROMETERS MINIMUM GOLD FLASH OVERALL
- NICKEL (Ni) UNDERPLATE OVERALL.

1) MATTE TIN:(SOLDERTAIL)

- 0.75 MICROMETERS MINIMUM SELECTIVE GOLD (Au) IN MATING AREA
- 2.50 MICROMETERS MINIMUM SELECTIVE MATTE TIN (Sn) IN TAIL AREA
- NICKEL (Ni) UNDERPLATE OVERALL.

1) MATTE TIN: (PRESSFIT) (FORMERLY TIN/LEAD)

- 0.75 MICROMETERS MINIMUM SELECTIVE GOLD (Au) IN MATING AREA
- 0.38 MICROMETERS MINIMUM SELECTIVE MATTE TIN (Sn) IN TAIL AREA
- NICKEL (Ni) UNDERPLATE OVERALL.

**MATERIAL NUMBER ASSIGNMENT**

CONSULT FACTORY FOR AVAILABLE COMBINATIONS

74992-\* \* \* \*

NUMBER	TAIL STYLE
0	PRESSFIT
1	SOLDER
2	SINGLE-END MIDPLANE
3	DOUBLE-END MIDPLANE

NUMBER	DIM "H"
0	3.5
1	3.0
2	2.5
3	2.0
4	7.0
5	11.5

NUMBER	DIM "M"
0	5.0
1	5.5
2	6.0

NUMBER	TAIL PLATING
0	GOLD FLASH
1	MATTE TIN
1	MATTE TIN

SEE SHEET 1 EC NO: UCP2013-3253 D DRAWN: RWHIPPLE 2013/02/04 CHKD: MMOLFE 2013/02/05 APPR: SMILLER 2013/08/05	QUALITY SYMBOLS F=0 F=0 F=0	GENERAL TOLERANCES (UNLESS SPECIFIED) <table border="1"> <thead> <tr> <th></th> <th>mm</th> <th>INCH</th> </tr> </thead> <tbody> <tr> <td>4 PLACES</td> <td>± ---</td> <td>± ---</td> </tr> <tr> <td>3 PLACES</td> <td>± ---</td> <td>± ---</td> </tr> <tr> <td>2 PLACES</td> <td>± 0.13</td> <td>± ---</td> </tr> <tr> <td>1 PLACE</td> <td>± 0.25</td> <td>± ---</td> </tr> <tr> <td>0 PLACE</td> <td>± ---</td> <td>± ---</td> </tr> </tbody> </table>		mm	INCH	4 PLACES	± ---	± ---	3 PLACES	± ---	± ---	2 PLACES	± 0.13	± ---	1 PLACE	± 0.25	± ---	0 PLACE	± ---	± ---	DIMENSION STYLE MM ONLY DRAWN BY DATE JB INGHAM 2001/10/08 CHECKED BY DATE SREED 2001/10/08 APPROVED BY DATE SMILLER 2013/08/05	SCALE DESIGN UNITS METRIC THIRD ANGLE PROJECTION	TITLE SALES ASSY HDM BACKPLANE DOUBLE END WALL OPTION 72 POSITION <b>molex</b>	MATERIAL NO. SEE CHART SIZE B	DOCUMENT NO. SD-74992-001	SHEET NO. 2 OF 2
		mm	INCH																							
	4 PLACES	± ---	± ---																							
	3 PLACES	± ---	± ---																							
2 PLACES	± 0.13	± ---																								
1 PLACE	± 0.25	± ---																								
0 PLACE	± ---	± ---																								
ANGULAR ±1/2° DRAFT WHERE APPLICABLE MUST REMAIN WITHIN DIMENSIONS		THIS DRAWING CONTAINS INFORMATION THAT IS PROPRIETARY TO MOLEX INCORPORATED AND SHOULD NOT BE USED WITHOUT WRITTEN PERMISSION																								

FINISH:  
 GOLD FLASH:  
 0.75 MICROMETERS MINIMUM SELECTIVE GOLD (Au) IN MATING AREA  
 0.05 MICROMETERS MINIMUM GOLD FLASH OVERALL  
 NICKEL (Ni) UNDERPLATE OVERALL.  
 TIN:  
 0.75 MICROMETERS MINIMUM SELECTIVE GOLD (Au) IN MATING AREA  
 2.50 MICROMETERS MINIMUM SELECTIVE TIN (Sn) IN TAIL AREA  
 NICKEL (Ni) UNDERPLATE OVERALL.  
 TIN/LEAD:  
 0.75 MICROMETERS MINIMUM SELECTIVE GOLD (Au) IN MATING AREA  
 0.38 MICROMETERS MINIMUM SELECTIVE TIN/LEAD (Sn/Pb) IN TAIL AREA  
 NICKEL (Ni) UNDERPLATE OVERALL.

### MATERIAL NUMBER ASSIGNMENT

CONSULT FACTORY FOR AVAILABLE COMBINATIONS

74992-\* \* \* \*

NUMBER	TAIL STYLE
0	PRESSFIT
1	SOLDER
2	SINGLE-END MIDPLANE
3	DOUBLE-END MIDPLANE

NUMBER	DIM "H"
0	3.5
1	3.0
2	2.5
3	2.0
4	7.0
5	11.5

NUMBER	DIM "M"
0	5.0
1	5.5
2	6.0

NUMBER	TAIL PLATING
0	GOLD FLASH
1	TIN
2	TIN/LEAD

MODIFY FINISH EC NO: UCP2007-2259 DRWN:MSIBARRA 2007/03/13 CHKD:BBARKER 2007/03/21 APPR:SMILLER 2007/03/22	DESCRIPTION REV	QUALITY SYMBOLS ▽=0 ▽=0	GENERAL TOLERANCES (UNLESS SPECIFIED) <table border="1"> <thead> <tr> <th></th> <th>mm</th> <th>INCH</th> </tr> </thead> <tbody> <tr> <td>4 PLACES</td> <td>± ---</td> <td>± ---</td> </tr> <tr> <td>3 PLACES</td> <td>± ---</td> <td>± ---</td> </tr> <tr> <td>2 PLACES</td> <td>± ---</td> <td>± ---</td> </tr> <tr> <td>1 PLACE</td> <td>± ---</td> <td>± ---</td> </tr> </tbody> </table> ANGULAR ±1/2°		mm	INCH	4 PLACES	± ---	± ---	3 PLACES	± ---	± ---	2 PLACES	± ---	± ---	1 PLACE	± ---	± ---	DIMENSION STYLE MM ONLY DRAWN BY: JB INGHAM DATE: 2001/10/08 CHECKED BY: SREED DATE: 2001/10/08 APPROVED BY: CBIXLER DATE: 2001/10/08	SCALE: --- DESIGN UNITS: METRIC THIRD ANGLE PROJECTION
			mm	INCH																
		4 PLACES	± ---	± ---																
		3 PLACES	± ---	± ---																
2 PLACES	± ---	± ---																		
1 PLACE	± ---	± ---																		
DRAFT WHERE APPLICABLE MUST REMAIN WITHIN DIMENSIONS			MATERIAL NO.: SEE CHART	TITLE: SALES ASSY HDM BACKPLANE DOUBLE END WALL OPTION 72 POSITION MOLEX INCORPORATED																
			SIZE: B	DOCUMENT NO.: SD-74992-001																
			THIS DRAWING CONTAINS INFORMATION THAT IS PROPRIETARY TO MOLEX INCORPORATED AND SHOULD NOT BE USED WITHOUT WRITTEN PERMISSION																	