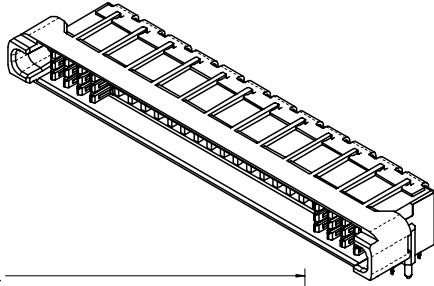
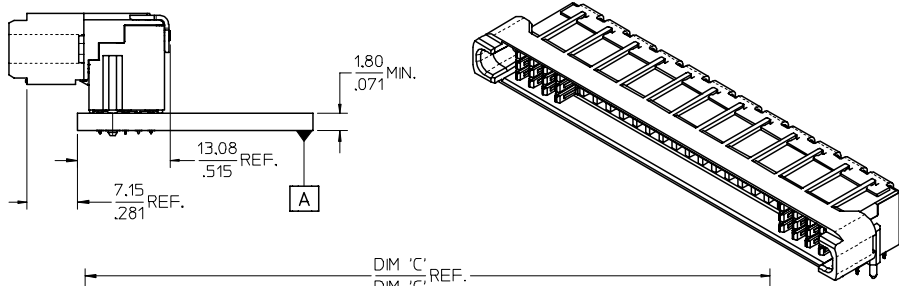


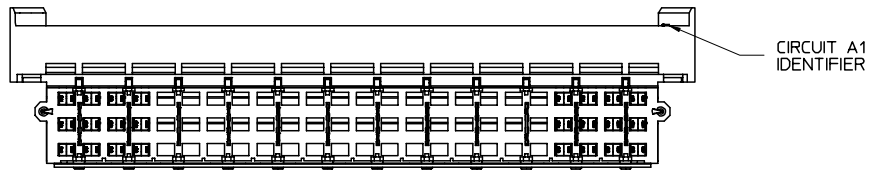
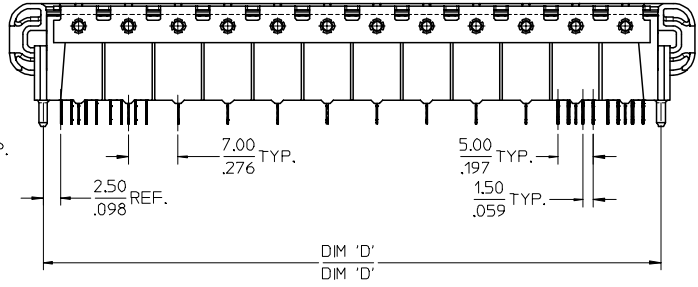
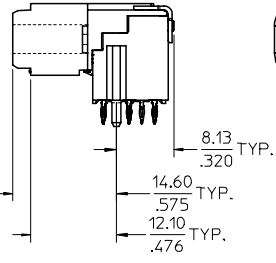
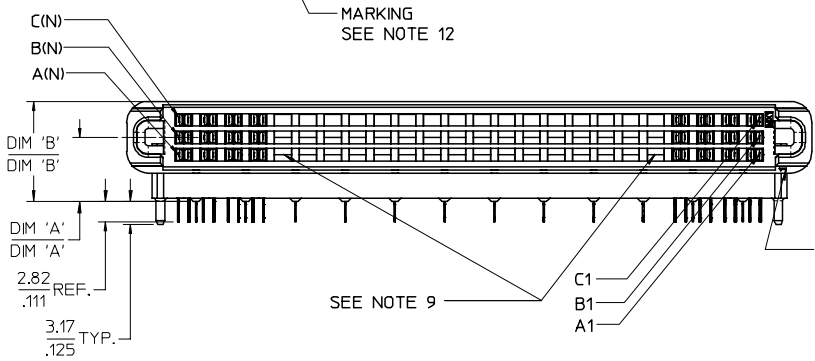
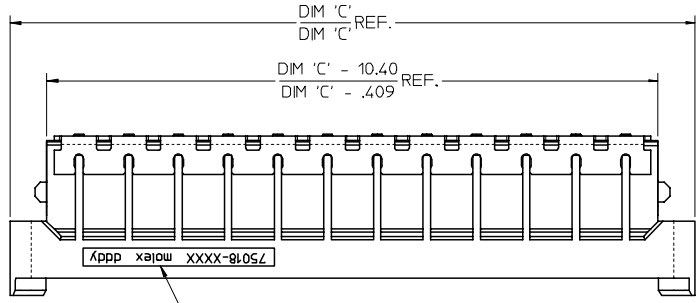
12 11 10 9 8 7 6 5 4 3 2

J
I
H
G
F
E
D
C
B
A

J
I
H
G
F
E
D
C
B
A



- NOTES:
- MATERIALS:
HOUSING - LIQUID CRYSTAL POLYMER, UL94 V-0
WAFER DIELECTRIC - LIQUID CRYSTAL POLYMER, UL94 V-0
CONTACT - COPPER ALLOY
 - FINISHES:
CONTACT INTERFACE
0.76 MICROMETER MINIMUM SELECT GOLD
1.27 MICROMETER MINIMUM NICKEL OVERALL
COMPLIANT INTERFACE
0.76 MICROMETER MINIMUM SELECT TIN-LEAD OVER
1.27 MICROMETER MINIMUM NICKEL OVERALL
HOUSING
0.10 MICROMETER MAXIMUM IMMERSION GOLD OVER
3.81 MICROMETER MINIMUM NICKEL OVER
3.81 MICROMETER MINIMUM COPPER OVERALL
 - PRODUCT SPECIFICATION: THIS PART CONFORMS TO MOLEX SPECIFICATION PS-75018-001.
 - PACKAGING SPECIFICATION: THIS PART TO BE PACKAGED PER SPECIFICATION PK-75020-010.
 - APPLICATION SPECIFICATION: THIS PART TO BE APPLIED PER SPECIFICATION PS-75018-001.
APPLICATION TOOL AND INSTRUCTIONS PER AS-75018-001.
 - MATING INFORMATION
THIS PART MATES WITH 75019-XXXX.
WILL MATE WITH MAXIMUM 1.27mm MIS-ALIGNMENT.
WILL MATE WITH MAXIMUM 0.5° MIS-ALIGNMENT.
 - FOR CIRCUIT DESIGNATION SEE SHEET 3
 - FOR PCB INFORMATION SEE SHEET 3
 - CIRCUITS IN THIS ZONE HAVE BEEN OMITTED TO SIMPLIFY THE MODEL. ACTUAL PRODUCT IS FULLY LOADED WITH TERMINALS.
 - APPLICATION TOOLING KEEP OUT AREA. NO COMPONENTS ALLOWED IN THIS AREA.
 - CONFORMS TO MOLEX COSMETIC SPECIFICATION PS-75005-002.
 - MARKING: PART NUMBER, MOLEX LOGO, DATE CODE
 - RECOMMENDED DRILL SIZE 0.66±0.03 TO YIELD FINISHED PLATED THROUGH HOLE OF 0.55±0.05

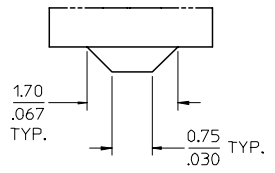
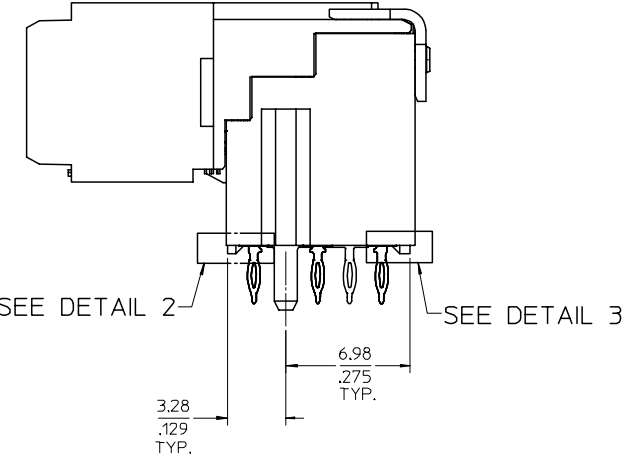
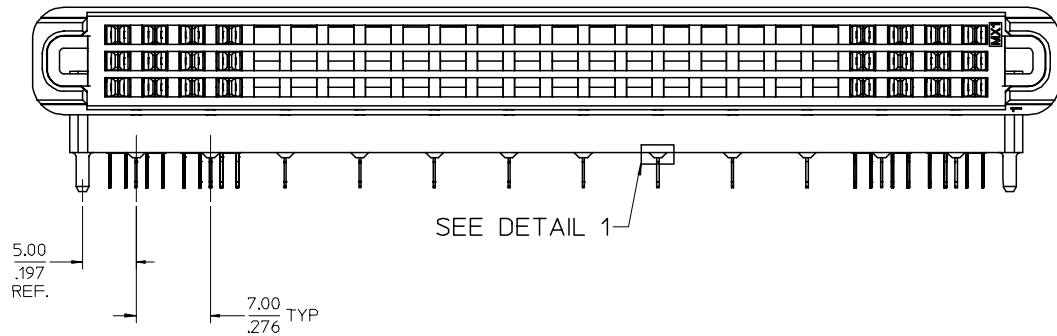


ADD VIEWS - SHT 2 EC NO: UCP2008-0339 DRAWN: MSBARRAZ2007/09/04 CHKD: SDANNELL2007/09/14 APPR: SMILLER 2007/09/14	QUALITY SYMBOLS ▽=0 ◁=0	GENERAL TOLERANCES (UNLESS SPECIFIED) <table border="1"> <tr> <th></th> <th>mm</th> <th>INCH</th> </tr> <tr> <td>4 PLACES</td> <td>± ---</td> <td>± ---</td> </tr> <tr> <td>3 PLACES</td> <td>± ---</td> <td>±.005</td> </tr> <tr> <td>2 PLACES</td> <td>±0.13</td> <td>±.01</td> </tr> <tr> <td>1 PLACE</td> <td>±0.25</td> <td>± ---</td> </tr> </table> ANGULAR ±1/2°		mm	INCH	4 PLACES	± ---	± ---	3 PLACES	± ---	±.005	2 PLACES	±0.13	±.01	1 PLACE	±0.25	± ---	SCALE 2:1 DESIGN UNITS METRIC DIMENSION STYLE MM/IN	THIRD ANGLE PROJECTION REVISE ON CAD ONLY
		mm	INCH																
	4 PLACES	± ---	± ---																
	3 PLACES	± ---	±.005																
2 PLACES	±0.13	±.01																	
1 PLACE	±0.25	± ---																	
DESCRIPTION PLATEAU HS DOCK™ FIXED CONNECTOR NO GROUND FINGER	DRAWN BY LANG DATE 03-OCT-29 CHECKED BY LANG DATE 03-OCT-29	TITLE MOLEX INCORPORATED	APPROVED BY BANAKIS DATE 03-OCT-29	MATERIAL NO. SEE SHEET 2 DOCUMENT NO. SD-75018-011															
DRAFT WHERE APPLICABLE MUST REMAIN WITHIN DIMENSIONS	THIS DRAWING CONTAINS INFORMATION THAT IS PROPRIETARY TO MOLEX INCORPORATED AND SHOULD NOT BE USED WITHOUT WRITTEN PERMISSION	SHEET NO. 1 OF 3																	

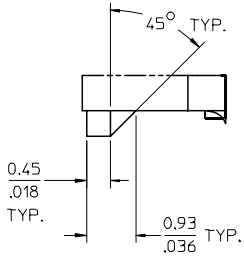
11 10 9 8 7 6 5 4 3 2 1

ITEM NUMBER	CIRCUIT SIZE	NO. OF COLUMNS 'N'	CENTERLINE DIMENSION 'A' mm(in)	O/A HEIGHT DIMENSION 'B' mm(in)	O/A LENGTH DIMENSION 'C' mm(in)	PEG TO PEG DIMENSION 'D' mm(in)	FIRST-LAST DIMENSION 'E' mm(in)
75018-0021	144	48	4.74 (.187)	9.78 (.385)	96.50 (3.799)	87.00 (3.425)	82.00 (3.228)
75018-0022	144	48	5.74 (.226)	10.78 (.424)	96.50 (3.799)	87.00 (3.425)	82.00 (3.228)
75018-0023	144	48	8.74 (.344)	13.78 (.543)	96.50 (3.799)	87.00 (3.425)	82.00 (3.228)
75018-0026	120	40	4.74 (.187)	9.78 (.385)	82.50 (3.248)	73.00 (2.874)	68.00 (2.677)
75018-0024	108	36	4.74 (.187)	9.78 (.385)	75.50 (2.972)	66.00 (2.598)	61.00 (2.402)
75018-0025	108	36	8.74 (.344)	13.78 (.543)	75.50 (2.972)	66.00 (2.598)	61.00 (2.402)
75018-0027	108	36	5.74 (.226)	10.78 (.424)	75.50 (2.972)	66.00 (2.598)	61.00 (2.402)
75018-0029	120	40	5.74 (.226)	10.78 (.424)	82.50 (3.248)	73.00 (2.874)	68.00 (2.677)

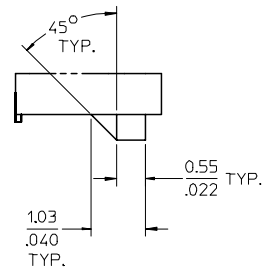
NOTE: THIS ITEM NUMBER HAS ONLY SIGNAL PINS



DETAIL 1
SCALE 15:1



DETAIL 2
SCALE 15:1



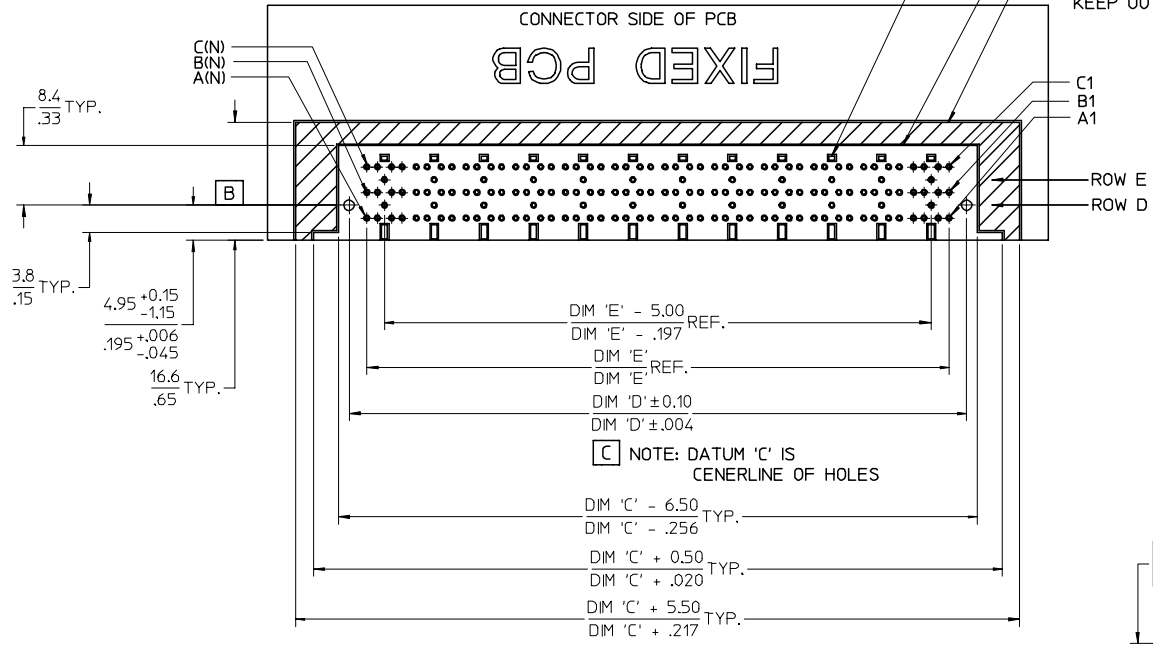
DETAIL 3
SCALE 15:1

ADD VIEWS EC NO: UCP2008-0339 DRWN: MSBARRAZ2007/09/04 CHKD: SDANNELL2007/09/14 APPR: SMILLER 2007/09/14	DESCRIPTION D	QUALITY SYMBOLS	GENERAL TOLERANCES (UNLESS SPECIFIED) 4 PLACES ± --- ± --- 3 PLACES ± --- ± .005 2 PLACES ± 0.13 ± .01 1 PLACE ± 0.25 ± --- ANGULAR ±1/2°	SCALE 3:1	DESIGN UNITS METRIC	THIRD ANGLE PROJECTION	REVISE ON CAD ONLY
		DIMENSION STYLE MM/IN		TITLE	PLATEAU HS DOCK™ FIXED CONNECTOR NO GROUND FINGER		
		DRAFT WHERE APPLICABLE MUST REMAIN WITHIN DIMENSIONS		DRAWN BY LANG DATE 03-OCT-29 CHECKED BY LANG DATE 03-OCT-29 APPROVED BY BANAKIS DATE 03-OCT-29	MATERIAL NO. SEE CHART DOCUMENT NO. SD-75018-011 SHEET NO. 2 OF 3		
		THIS DRAWING CONTAINS INFORMATION THAT IS PROPRIETARY TO MOLEX INCORPORATED AND SHOULD NOT BE USED WITHOUT WRITTEN PERMISSION					

J
I
H
G
F
E
D
C
B
A

J
I
H
G
F
E
D
C
B
A

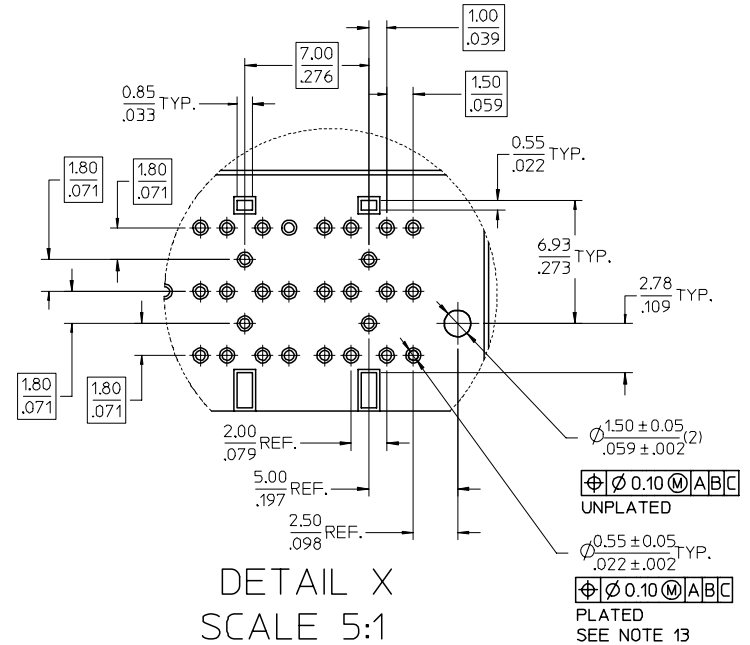
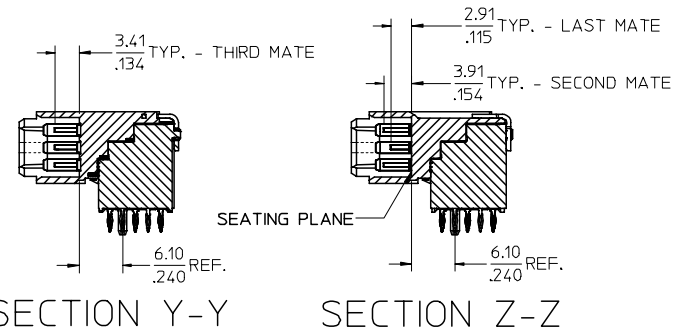
NO EXPOSED TRACES ON SURFACE OF PCB IN CONNECTOR STAND OFF LOCATIONS
CONNECTOR KEEP OUT AREA
APPLICATION TOOLING KEEP OUT AREA (NOTES 5 & 10)



CIRCUIT DESIGNATION
FIRST MATE: HOUSING - SIGNAL GROUND
SECOND MATE: A1, C1, A(N), C(N) (FOR POWER RETURN)
THIRD MATE: A2, B2, C2, A(N-1), B(N-1), C(N-1) & ALL OTHERS (A2, C2, A(N-1) & C(N-1) FOR POWER) (ALL OTHERS SIGNAL)
LAST MATE: B1, B(N) (FOR CARD DETECT)
ALL COLUMNS FROM 3 THROUGH (N-2) ARE SUITABLE FOR DIFFERENTIAL PAIRS
EG: A3-A4, B3-B4, C3-C4, A(N-2)-A(N-3), B(N-2)-B(N-3)
SIGNAL GROUND: ROWS D & E

NOMINAL WIPE - FULL SEATED

FIRST MATE: 5.2mm
SECOND MATE: 2.7mm
THIRD MATE: 2.2mm
LAST MATE: 1.7mm



UPDATE REV LEVEL EC NO: UCP2008-0339 DRWN: MSBARRAZ2007/09/04 CHKD: SDANNELL2007/09/14 APPR: SMILLER 2007/09/14	QUALITY SYMBOLS ▽ = 0 ◻ = 0	GENERAL TOLERANCES (UNLESS SPECIFIED)		SCALE 2:1	DESIGN UNITS METRIC	THIRD ANGLE PROJECTION	REVISE ON CAD ONLY	
				DIMENSION STYLE MM/IN		TITLE		
		4 PLACES ± --- ± ---	3 PLACES ± --- ± .005	DRAWN BY LANG	DATE 03-OCT-29	PLATEAU HS DOCK™ FIXED CONNECTOR NO GROUND FINGER		
		2 PLACES ± 0.13 ± .01	1 PLACE ± 0.25 ± ---	CHECKED BY LANG	DATE 03-OCT-29	MOLEX INCORPORATED		
		ANGULAR ± 1/2°		APPROVED BY BANAKIS	DATE 03-OCT-29	MATERIAL NO. SEE SHEET 2	DOCUMENT NO. SD-75018-011	
		DRAFT WHERE APPLICABLE MUST REMAIN WITHIN DIMENSIONS		THIS DRAWING CONTAINS INFORMATION THAT IS PROPRIETARY TO MOLEX INCORPORATED AND SHOULD NOT BE USED WITHOUT WRITTEN PERMISSION		SHEET NO. 3 OF 3		