

**PLEASE CHECK WWW.MOLEX.COM FOR LATEST PART INFORMATION**

**Part Number:** [75196-9002](#)  
**Status:** **Active**  
**Overview:** VHDM® L-Series Backplane Connectors  
**Description:** 2.00mm Pitch 6-Row VHDM® L-Series Single-Ended Backplane Header, Right Angle, Shield End Version, 6 Row, 60 Circuits, Pin Length 6.25mm, Lead Free

**Documents:**

[Drawing \(PDF\)](#) [RoHS Certificate of Compliance \(PDF\)](#)  
[Product Specification PS-74031-999 \(PDF\)](#)

**General**

Product Family	Backplane Connectors
Series	<a href="#">75196</a>
Application	Backplane
Application Tooling Documents	TM-622010999
Comments	No Keying Position
Component Type	PCB Header
Overview	<a href="#">VHDM® L-Series Backplane Connectors</a>
Product Name	VHDM Lite®
Style	N/A
UPC	800756755496

**Physical**

Circuits (Loaded)	60
Circuits (maximum)	60
Color - Resin	Black
Durability (mating cycles max)	200
First Mate / Last Break	No
Guide to Mating Part	Yes
Keying to Mating Part	None
Material - Metal	High Performance Alloy (HPA), Stainless Steel
Material - Plating Mating	Gold
Material - Plating Termination	Tin
Material - Resin	High Temperature Thermoplastic
Net Weight	5.356/g
Number of Columns	10
Number of Pairs	Open Pin Field
Number of Rows	6
Orientation	Vertical
PC Tail Length	2.50mm
PCB Locator	No
PCB Retention	Yes
PCB Thickness - Recommended	1.80mm
Packaging Type	Tube
Pitch - Mating Interface	2.00mm
Pitch - Termination Interface	2.00mm
Plating min - Mating	0.762µm
Plating min - Termination	0.762µm
Polarized to PCB	No
Stackable	No
Surface Mount Compatible (SMC)	Yes
Temperature Range - Operating	105°C
Termination Interface: Style	Through Hole - Compliant Pin

**Electrical**

Current - Maximum per Contact	1A
-------------------------------	----

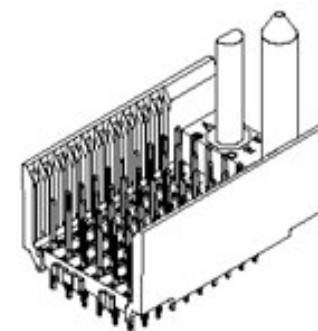


image - Reference only

Series

**EU RoHS**

**ELV and RoHS Compliant**

**REACH SVHC**

Not Reviewed

**Low-Halogen Status**

**Not Reviewed**

**China RoHS**



**Need more information on product environmental compliance?**

Email [productcompliance@molex.com](mailto:productcompliance@molex.com)  
 For a multiple part number RoHS Certificate of Compliance, [click here](#)

Please visit the [Contact Us](#) section for any non-product compliance questions.

**Search Parts in this Series**

[75196Series](#)

**Mates With**

[75189 VHDM® Lite Board-to-Board Daughtercard](#)

**Application Tooling | FAQ**

*Tooling specifications and manuals are found by selecting the products below. Crimp Height Specifications are then contained in the Application Tooling Specification document.*

**Global**

Description	Product #
Signal Pin Inserter	<a href="#">0622015700</a>
Repair Tool	
Insertion Module for Advanced Mate Signal Header, 6-Row by 10-Wide, 20.00mm	<a href="#">0622020207</a>

Data Rate	622.0 Mbps
Real Signals (per 25mm)	75
Shielded	No
Voltage - Maximum	120V AC (RMS)/DC

### **Material Info**

### **Reference - Drawing Numbers**

Product Specification	PS-74031-999
Sales Drawing	SD-75196-001

VHDM and Very High Density Metric are trademarks of Amphenol Corporation

This document was generated on 10/05/2012

**PLEASE CHECK [WWW.MOLEX.COM](http://WWW.MOLEX.COM) FOR LATEST PART INFORMATION**