

PLEASE CHECK WWW.MOLEX.COM FOR LATEST PART INFORMATION

Part Number: [75198-2501](#)
Status: **Active**
Overview: VHDM® L-Series Backplane Connectors
Description: 2.00mm Pitch VHDM® L-Series Single-Ended Backplane Header, Guide Pin Signal Module, Pin End Version, 8-Row, 200 Circuits, Pin Length 4.75mm

Documents:

[Drawing \(PDF\)](#) [RoHS Certificate of Compliance \(PDF\)](#)
[Product Specification PS-74031-999 \(PDF\)](#)

General

Product Family	Backplane Connectors
Series	75198
Application	Backplane
Application Tooling Documents	TM-622010999
Comments	No Keying Position
Component Type	PCB Header
Overview	VHDM® L-Series Backplane Connectors
Product Name	VHDM Lite®
Style	N/A

Physical

Circuits (Loaded)	200
Circuits (maximum)	200
Color - Resin	Black
Durability (mating cycles max)	200
First Mate / Last Break	No
Guide to Mating Part	Yes
Keying to Mating Part	None
Material - Metal	High Performance Alloy (HPA), Stainless Steel
Material - Plating Mating	Gold
Material - Plating Termination	Tin-Lead
Material - Resin	High Temperature Thermoplastic
Number of Columns	25
Number of Pairs	Open Pin Field
Number of Rows	8
Orientation	Vertical
PC Tail Length	2.50mm
PCB Locator	No
PCB Retention	Yes
PCB Thickness - Recommended	1.80mm
Packaging Type	Tube
Pitch - Mating Interface	2.00mm
Pitch - Termination Interface	2.00mm
Plating min - Mating	0.762µm
Plating min - Termination	0.762µm
Polarized to PCB	No
Surface Mount Compatible (SMC)	Yes
Temperature Range - Operating	105°C
Termination Interface: Style	Through Hole - Compliant Pin

Electrical

Current - Maximum per Contact	3A
Data Rate	622.0 Mbps
Shielded	No
Voltage - Maximum	120V AC (RMS)/DC

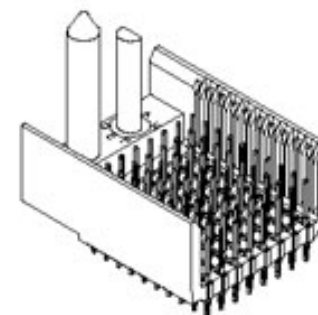


image - Reference only

Series

EU RoHS

RoHS Compliant by Exemption
REACH SVHC
Contains SVHC: No
Low-Halogen Status
Low-Halogen

China RoHS



Need more information on product environmental compliance?

Email productcompliance@molex.com
 For a multiple part number RoHS Certificate of Compliance, [click here](#)

Please visit the [Contact Us](#) section for any non-product compliance questions.

Search Parts in this Series

[75198Series](#)

Mates With

[75191 VHDM® Lite-Series Board-to-Board Daughtercard](#)

Use With

[Daughtercard Modules](#)

Application Tooling | FAQ

Tooling specifications and manuals are found by selecting the products below. Crimp Height Specifications are then contained in the Application Tooling Specification document.

Global

Description	Product #
Signal Pin Inserter	0622015700
Repair Tool	
Insertion Module for Standard Shield Signal Header, 8-	0622020210

Material Info

Row by 25-Wide,
50.00mm

Reference - Drawing Numbers

Product Specification

PS-74031-999

Sales Drawing

SD-75198-001

VHDM and Very High Density Metric are trademarks of Amphenol Corporation

This document was generated on 04/24/2012

PLEASE CHECK WWW.MOLEX.COM FOR LATEST PART INFORMATION