

PLEASE CHECK WWW.MOLEX.COM FOR LATEST PART INFORMATION

Part Number: [0752352247](#)
Status: **Active**
Overview: GbX Backplane Connector System
Description: GbX 4 Pair Backplane Connector System, Left Guide Header, 200 Circuits, 25 Columns, Gold (Au) 1.27µm, Pin Length 3.55mm, Key Orientation D

Documents:

[Drawing \(PDF\)](#) [Packaging Specification PK-70873-563 \(PDF\)](#)
[Product Specification PS-75221-999-001 \(PDF\)](#) [RoHS Certificate of Compliance \(PDF\)](#)

Agency Certification

UL E29179

General

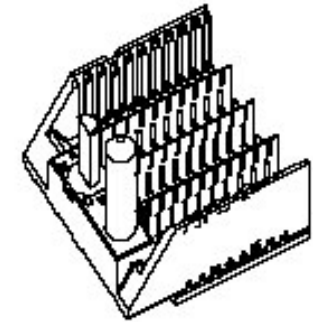
Product Family Backplane Connectors
 Series [75235](#)
 Application Backplane
 Application Tooling Documents TM-622022099
 Comments Left Guide Header, Keying Position D
 Component Type PCB Header
 Overview [GbX Backplane Connector System](#)
 Product Name GbX
 UPC 822350175838

Physical

Circuits (Loaded) 200
 Circuits (maximum) 200
 Durability (mating cycles max) 200
 First Mate / Last Break No
 Flammability 94V-0
 Guide to Mating Part Yes
 Keying to Mating Part Yes
 Material - Plating Mating Gold
 Net Weight 4.537/g
 Number of Columns 25
 Number of Pairs 4
 Number of Rows 8
 Orientation Vertical
 PC Tail Length 2.20mm
 PCB Locator No
 PCB Retention Yes
 PCB Thickness - Recommended 1.60mm
 Packaging Type Tray
 Pitch - Mating Interface 1.85mm
 Pitch - Termination Interface 1.85mm
 Polarized to PCB No
 Stackable Yes
 Surface Mount Compatible (SMC) Yes
 Temperature Range - Operating 105°C

Electrical

Current - Maximum per Contact 1.0A
 Data Rate 8.0 Gbps
 Real Signals (per 25mm) 108
 Shield Type Ground Plane Shield
 Shielded Yes
 Voltage - Maximum 120V AC (RMS)/DC



Series image - Reference only

EU ELV

Not Relevant

EU RoHS

Not Reviewed

REACH SVHC

Not Reviewed

Halogen-Free

Status

Not Reviewed

For more information, please visit [Contact US](#)

China ROHS

Not Reviewed

ELV

Not Relevant

RoHS Phthalates

Not Reviewed

Search Parts in this Series

[75235](#) Series

Mates With

[75220](#) GbX Daughtercard

Application Tooling | FAQ

Tooling specifications and manuals are found by selecting the products below. Crimp Height Specifications are then contained in the Application Tooling Specification document.

Global

Description

Product #

Insertion Tool, 4-Pair [622022020](#)
 by 25-Wide
 Single Pin Repair [622022090](#)
 Tool
 Shield Removal Tool [622022100](#)

Solder Process Data

Lead-free Process Capability

N/A

Material Info**Reference - Drawing Numbers**

Packaging Specification

PK-70873-563

Product Specification

PS-75221-999-001

Sales Drawing

SD-75235-210, SD-75838-210

This document was generated on 11/27/2018

PLEASE CHECK WWW.MOLEX.COM FOR LATEST PART INFORMATION