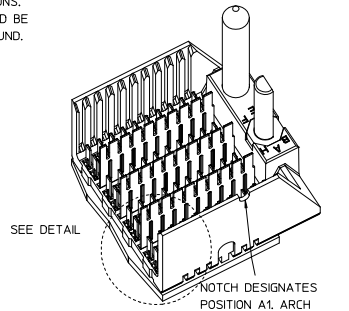
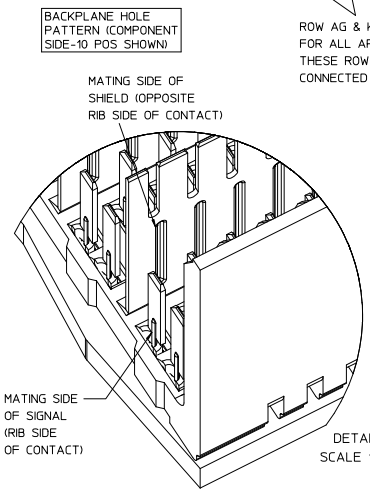
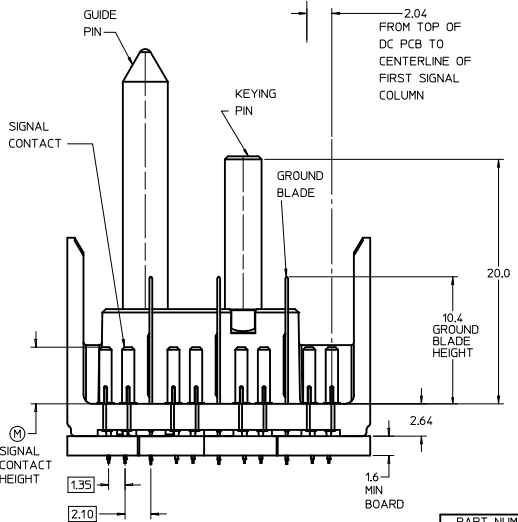
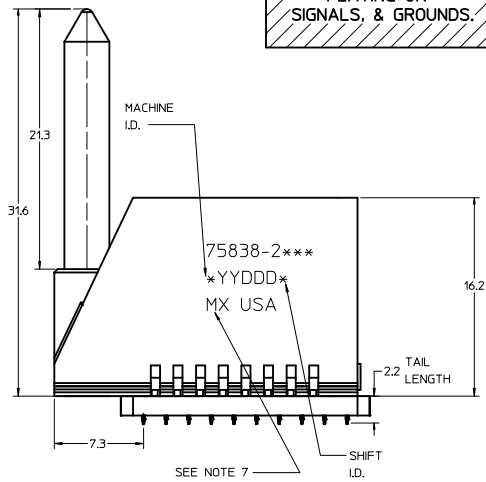


**LEAD-FREE  
PLATING ON  
SIGNALS, & GROUNDS.**



- NOTES:**
- MATERIAL: HOUSING - LIQUID CRYSTAL POLYMER (LCP) GLASS-FILLED. UL 94V-0, COLOR - GRAY. SIGNAL CONTACT AND GROUND BLADE - HIGH PERFORMANCE COPPER ALLOY.
  - FINISHES: SELECTIVE GOLD (Au) 0.25 (MAPS), 0.76, OR 1.27 micrometers THICKNESS ON CONTACT AREA. SELECTIVE MATTE TIN (Sn) ON PCB TAILS. NICKEL (Ni) OVERALL.
  - THIS PART CONFORMS TO MOLEX PRODUCT SPECIFICATION PS-75221-999.
  - FOR MIXED CONTACT MATING LENGTHS CONSULT MOLEX FOR AVAILABILITY. CONTACT PAIRS MUST BE THE SAME LENGTH.
  - FOR SPECIFIC PART NUMBER AND MATING INFORMATION PLEASE REFER TO CHART.
  - PACKAGE PER PK-70873-563.
  - EITHER MARK PART NUMBER AND DATE CODE APPROXIMATELY WHERE SHOWN OR PLACE A LABEL ON THE TUBE.
  - OPTIONAL HOLE LOCATION FOR GROUNDED GUIDE PIN OR ADDITIONAL GUIDE PIN SUPPORT. FOR GROUNDED GUIDE PIN, HOLE TO BE PLATED, DRILL SIZE  $\phi 2.58$ , PAD SIZE  $\phi 5.50$
  - THESE PARTS CONFORM TO MOLEX COSMETIC SPECIFICATION PS-45499-02 CLASS B.

PART NUMBER TABLE				
ASSY PART NO.	K	L	P	TOTAL NO. OF DIFFERENTIAL PAIRS
75838-21**	9	16,65	24,78	40
75838-22**	24	44,40	52,53	100

P/N	--*0*	--*1*	--*2*	--*3*	--*4*	--*5*	--*6*	--*7*	--*8*
75838-( )	0	A	B	C	D	E	F	G	H

MODULE ORIENTATION LEFT = 2

KEYING ORIENTATION  
 0 = NONE  
 1 = A  
 2 = B  
 ETC...

PIN LENGTH DIM "M"	GOLD (Au) THICKNESS micrometers
0-3.55 mm	0.25
1-4.55 mm	
2-5.55 mm	
3-3.55 mm	
4-4.55 mm	0.76
5-5.55 mm	
7-3.55 mm	
8-4.55 mm	
9-5.55 mm	1.27

**ADD MAPS PLATING**  
 EC NO: UCP2012-3688  
 DRAWN BY: CHYOSANALLEY 2012/05/16  
 CHECKED BY: APPROXIMILLER 2012/05/23  
 REV DESCRIPTION

**QUALITY SYMBOLS**  
 $\nabla=0$   
 $\nabla=0$   
 $\nabla=0$

**GENERAL TOLERANCES (UNLESS SPECIFIED)**

	mm	INCH
4 PLACES ±	---	---
3 PLACES ±	---	---
2 PLACES ±	0.25	---
1 PLACE ±	0.38	---
0 PLACE ±	---	---

ANGULAR ± ---°  
 DRAFT WHERE APPLICABLE MUST REMAIN WITHIN DIMENSIONS

**DIMENSION STYLE**  
 MM ONLY

**SCALE**  
 5:1

**DESIGN UNITS**  
 METRIC

**THIRD ANGLE PROJECTION**

**TITLE**  
 GBX 4-PAIR LEFT END BACKPLANE ASSEMBLY LEAD-FREE SALES DRAWING

**molex**

**MATERIAL NO.**  
 SEE TABLE

**DOCUMENT NO.**  
 SD-75838-210

**SHEET NO.**  
 1 OF 1

**THIS DRAWING CONTAINS INFORMATION THAT IS PROPRIETARY TO MOLEX INCORPORATED AND SHOULD NOT BE USED WITHOUT WRITTEN PERMISSION**