

**PLEASE CHECK WWW.MOLEX.COM FOR LATEST PART INFORMATION**

**Part Number:** **0752354108**  
**Status:** **Active**  
**Overview:** GbX Backplane Connector System  
**Description:** GbX 4 Pair Backplane Connector System, Right Guide Header, 80 Circuits, 10 Columns, Gold (Au) 1.27µm, Pin Length 4.55mm

**Documents:**

[Drawing \(PDF\)](#) [Packaging Specification PK-70873-563 \(PDF\)](#)  
[Product Specification PS-75221-999-001 \(PDF\)](#) [RoHS Certificate of Compliance \(PDF\)](#)

**Agency Certification**

UL E29179

**General**

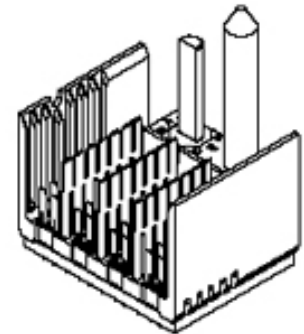
Product Family Backplane Connectors  
 Series [75235](#)  
 Application Backplane  
 Application Tooling Documents TM-622022099  
 Comments Right Guide Header, No Keying Position  
 Component Type PCB Header  
 Overview [GbX Backplane Connector System](#)  
 Product Name GbX  
 UPC 822350174435

**Physical**

Circuits (Loaded) 80  
 Circuits (maximum) 80  
 Durability (mating cycles max) 200  
 First Mate / Last Break No  
 Flammability 94V-0  
 Guide to Mating Part Yes  
 Keying to Mating Part None  
 Material - Plating Mating Gold  
 Net Weight 4.537/g  
 Number of Columns 10  
 Number of Pairs 4  
 Number of Rows 8  
 Orientation Vertical  
 PC Tail Length 2.20mm  
 PCB Locator No  
 PCB Retention Yes  
 PCB Thickness - Recommended 1.60mm  
 Packaging Type Tray  
 Pitch - Mating Interface 1.85mm  
 Pitch - Termination Interface 1.85mm  
 Polarized to PCB No  
 Stackable Yes  
 Surface Mount Compatible (SMC) Yes  
 Temperature Range - Operating 105°C

**Electrical**

Current - Maximum per Contact 1.0A  
 Data Rate 8.0 Gbps  
 Real Signals (per 25mm) 108  
 Shield Type Ground Plane Shield  
 Shielded Yes  
 Voltage - Maximum 120V AC (RMS)/DC



Series image - Reference only

**EU ELV**

**Not Relevant**

**EU RoHS**

**Not Reviewed**

**REACH SVHC**

Not Reviewed

**Halogen-Free**

**Status**

**Not Reviewed**

For more information, please visit [Contact US](#)

China ROHS

Not Reviewed

ELV

Not Relevant

RoHS Phthalates

Not Reviewed

**Search Parts in this Series**

[75235](#) Series

**Mates With**

[75220](#) GbX Daughtercard

**Application Tooling | FAQ**

*Tooling specifications and manuals are found by selecting the products below. Crimp Height Specifications are then contained in the Application Tooling Specification document.*

**Global**

**Description**

**Product #**

Insertion Tool, 4-Pair [622022000](#)  
 by 10-Wide  
 Insertion Tool, 4-pair [622022010](#)  
 by 20-Wide  
 Single Pin Repair [622022090](#)  
 Tool  
 Shield Removal Tool [622022100](#)

**Solder Process Data**

Lead-free Process Capability

N/A

**Material Info****Reference - Drawing Numbers**

Packaging Specification

PK-70873-563

Product Specification

PS-75221-999-001

Sales Drawing

SD-75235-410

This document was generated on 11/23/2018

**PLEASE CHECK [WWW.MOLEX.COM](http://WWW.MOLEX.COM) FOR LATEST PART INFORMATION**