

**PLEASE CHECK WWW.MOLEX.COM FOR LATEST PART INFORMATION**

**Part Number:** [0752374114](#)  
**Status:** **Active**  
**Overview:** GbX Backplane Connector System  
**Description:** GbX 5 Pair Backplane Connector System, Right Guide Header, 100 Circuits, 10 Columns, Gold (Au) 0.76µm, Pin Length 4.55mm, Key Orientation A

**Documents:**

[3D Model](#) [Product Specification PS-75221-999-001 \(PDF\)](#)  
[Drawing \(PDF\)](#) [RoHS Certificate of Compliance \(PDF\)](#)

**Agency Certification**

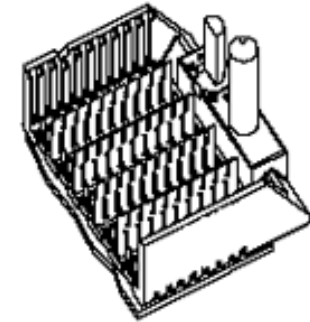
UL E29179

**General**

Product Family Backplane Connectors  
 Series [75237](#)  
 Application Backplane  
 Application Tooling Documents TM-622022099  
 Comments Right Guide Header, Keying Position A  
 Component Type PCB Header  
 Overview [GbX Backplane Connector System](#)  
 Product Name GbX  
 UPC 822350177795

**Physical**

Circuits (Loaded) 100  
 Circuits (maximum) 100  
 Color - Resin Gray (Dark)  
 Durability (mating cycles max) 200  
 First Mate / Last Break No  
 Flammability 94V-0  
 Guide to Mating Part Yes  
 Keying to Mating Part Yes  
 Material - Metal High Performance Alloy (HPA), Stainless Steel  
 Material - Plating Mating Gold  
 Material - Plating Termination Tin-Lead  
 Material - Resin High Temperature Thermoplastic  
 Net Weight 8.663/g  
 Number of Columns 10  
 Number of Pairs 5  
 Number of Rows 10  
 Orientation Vertical  
 PC Tail Length 2.30mm  
 PCB Locator No  
 PCB Retention Yes  
 PCB Thickness - Recommended 1.60mm  
 Packaging Type Tray  
 Pitch - Mating Interface 1.85mm  
 Pitch - Termination Interface 1.85mm  
 Plating min - Mating 0.762µm  
 Plating min - Termination 0.762µm  
 Polarized to PCB No  
 Stackable Yes  
 Surface Mount Compatible (SMC) Yes  
 Temperature Range - Operating 105°C  
 Termination Interface: Style Through Hole - Compliant Pin



Series image - Reference only

**EU ELV**

**Not Relevant**

**EU RoHS**

**Not Reviewed**

**REACH SVHC**

Not Reviewed

**Halogen-Free**

**Status**

**Not Reviewed**

For more information, please visit [Contact US](#)

China ROHS

Not Reviewed

ELV

Not Relevant

RoHS Phthalates

Not Reviewed

**Search Parts in this Series**

[75237](#) Series

**Mates With**

[75360](#) GbX Daughtercard

**Application Tooling | FAQ**

*Tooling specifications and manuals are found by selecting the products below. Crimp Height Specifications are then contained in the Application Tooling Specification document.*

**Global**

**Description**

**Product #**

Insertion Tool, 5-Pair [622022030](#)  
 by 10-Wide  
 Insertion Tool, 5-Pair [622022040](#)  
 by 20-Wide  
 Single Pin Repair Tool [622022090](#)  
 Shield Removal Tool [622022100](#)

**Electrical**

Current - Maximum per Contact	1.0A
Data Rate	8.0 Gbps
Real Signals (per 25mm)	135
Shield Type	Ground Plane Shield
Shielded	Yes
Voltage - Maximum	120V AC (RMS)/DC

**Solder Process Data**

Lead-freeProcess Capability	N/A
-----------------------------	-----

**Material Info****Reference - Drawing Numbers**

Product Specification	PS-75221-999-001
Sales Drawing	SD-75237-410

This document was generated on 11/22/2018

**PLEASE CHECK [WWW.MOLEX.COM](http://WWW.MOLEX.COM) FOR LATEST PART INFORMATION**