

PLEASE CHECK WWW.MOLEX.COM FOR LATEST PART INFORMATION

Part Number: **0752374235**
Status: **Active - Custom**
Overview: gbx_backplane_connector_system
Description: 1.85mm by 1.85mm (.073 by .073") Pitch 5-Pair GbX® Backplane Connector System, Right Guide Header, 250 Circuits, Gold (Au) 0.76µm (30µ"), Pin Length 5.55mm (.219")

Documents:

[Drawing \(PDF\)](#) [RoHS Certificate of Compliance \(PDF\)](#)
[Product Specification PS-75221-999 \(PDF\)](#)

Agency Certification

UL E29179

General

Product Family Backplane Connectors
 Series 75237
 Application Backplane
 Application Tooling Documents [Tooling Manual](http://www.molex.com/pdm_docs/ats/TM-622022099.pdf)
 Comments Right Guide Header, Keying Position C
 Component Type PCB Header
 Overview gbx_backplane_connector_system
 Product Name GbX®
 Style N/A

Physical

Circuits (Loaded) 250
 Circuits (maximum) 250
 Durability (mating cycles max) 200
 First Mate / Last Break No
 Flammability 94V-0
 Guide to Mating Part Yes
 Keying to Mating Part Yes
 Number of Columns 25
 Number of Pairs 5
 Number of Rows 10
 Orientation Vertical
 PC Tail Length 2.30mm (.091")
 PCB Locator No
 PCB Retention Yes
 PCB Thickness - Recommended 1.60mm (.063")
 Packaging Type Tray
 Pitch - Mating Interface 1.85mm (.073")
 Pitch - Termination Interface 1.85mm (.073")
 Polarized to PCB No
 Stackable No
 Surface Mount Compatible (SMC) Yes
 Temperature Range - Operating 105°C

Electrical

Current - Maximum per Contact 1A
 Data Rate 8.0 Gbps
 Real Signals (per 25mm) 135
 Shield Type Ground Plane Shield
 Shielded Yes
 Voltage - Maximum 120V AC (RMS)/DC

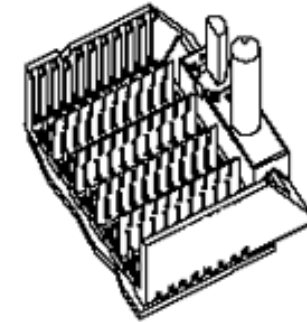


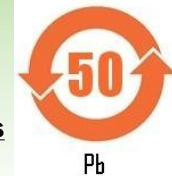
image - Reference only

Series

EU RoHS

RoHS Compliant by Exemption
REACH SVHC
 Not Reviewed
Low-Halogen Status
 Not Reviewed

China RoHS



Need more information on product environmental compliance?

Email productcompliance@molex.com
 For a multiple part number RoHS Certificate of Compliance, [click here](#)

Please visit the [Contact Us](#) section for any non-product compliance questions.

Search Parts in this Series

75237Series

Mates With

75360 GbX® Daughtercard

Application Tooling | FAQ

Tooling specifications and manuals are found by selecting the products below. Crimp Height Specifications are then contained in the Application Tooling Specification document.

Global

Description **Product #**

Insertion Tool, GbX® [0622022050](#)
 5 pair by 25 wide
 GbX® Single Pin [0622022090](#)
 Repair Tool
 GbX® Shield [0622022100](#)
 Removal Tool

Material Info

Reference - Drawing Numbers

Product Specification

PS-75221-999

Sales Drawing

SD-75237-410

GbX is a registered trademark of Amphenol Corporation.

This document was generated on 02/24/2011

PLEASE CHECK WWW.MOLEX.COM FOR LATEST PART INFORMATION