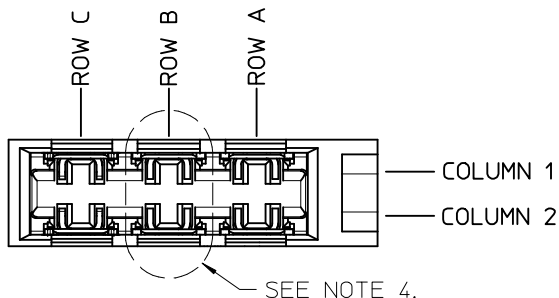
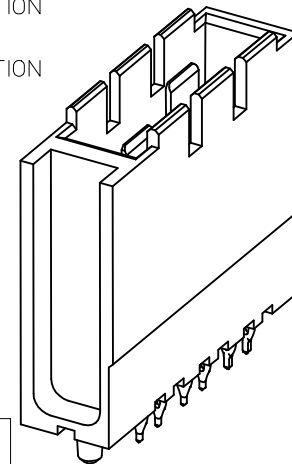
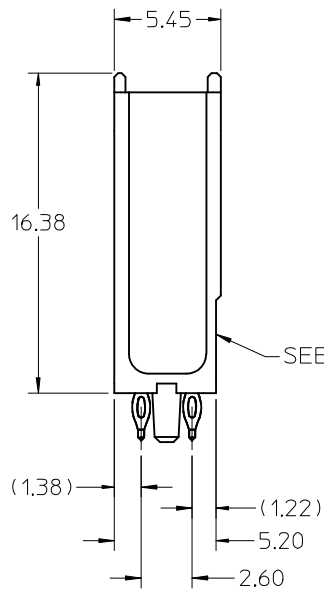
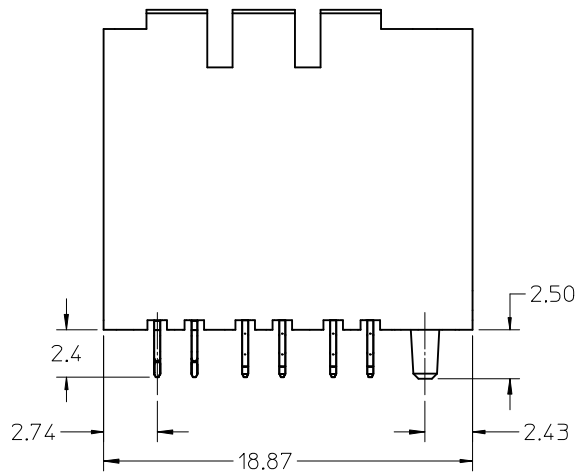


10 9 8 7 6 5 4 3 2 1



- NOTES:
1. MATERIALS: HOUSING - LIQUID CRYSTAL POLYMER (LCP), UL 94V-0, GRAY; CONTACT - COPPER ALLOY.
 2. FINISH: SELECT GOLD IN CONTACT AREA, 50 MICROINCH THICK; MATTE TIN IN COMPLIANT AREA.
 3. PACKAGING PER PK-70873-571.
 4. CONTACTS IN EACH ROW HAVE THE SAME WIPE LENGTH.
 5. BACKPLANE ASSEMBLY MATES WITH DAUGHTERCARD POWER MODULE 75292-3***.
 6. PART SHOWN IS 75331-0467.
 7. SEE OTHER SHEETS FOR ADDITIONAL NOTES.
 8. WHEN INSERTING OPEN SIGNAL MODULES NEXT TO COLUMN 1 SIDE OF POWER MODULES, SIGNAL MODULES MUST BE INSERTED BEFORE THE POWERS TO AVOID INTERFERENCE BETWEEN THE TWO CONNECTOR HOUSINGS.
 9. THESE PARTS CONFORM TO MOLEX PRODUCT SPECIFICATION PS-75221-999.
 10. THESE PARTS CONFORM TO MOLEX COSMETIC SPECIFICATION PS-45499-002.



1-UP ASSEMBLY PART NUMBER

7 5 3 3 1 - 0 A B C

- MATT TIN (FORMERLY TIN/LEAD) PLATED PRODUCT -
FOR EACH ROW LOCATION A, B, C:

- 0 = VOID
- 4 = 4.5 mm WIPE
- 6 = 6.0 mm WIPE
- 7 = 7.5 mm WIPE

- MATTE TIN PLATED PRODUCT -
FOR EACH ROW LOCATION A, B, C:

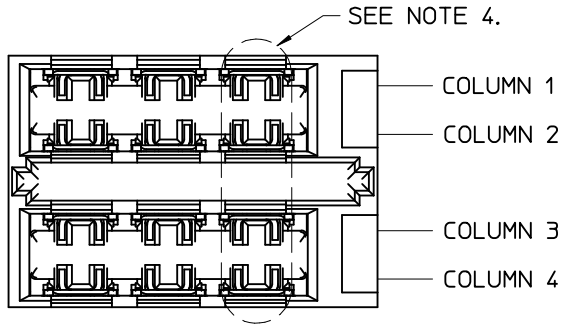
- 0 = VOID
- 2 = 4.5 mm WIPE
- 3 = 6.0 mm WIPE
- 5 = 7.5 mm WIPE

THE PRIMARY CARTON WITH A LABEL STATING
"ELV AND RoHS COMPLIANT" IS LEAD FREE.
CARTONS WITHOUT THIS LABEL MAY CONTAIN LEAD.

LEAD FREE CONVERSION EC NO: UCP2013-2305 DRW:RWH/PPLE 2012/12/07 CHKD:MMOLFE 2012/12/07 APPR:SMILLER 2012/12/17 G	QUALITY SYMBOLS $\nabla F=0$ $\nabla E=0$ $\nabla F=0$	GENERAL TOLERANCES (UNLESS SPECIFIED) <table border="1"> <thead> <tr> <th></th> <th>mm</th> <th>INCH</th> </tr> </thead> <tbody> <tr> <td>4 PLACES</td> <td>\pm---</td> <td>\pm---</td> </tr> <tr> <td>3 PLACES</td> <td>\pm---</td> <td>\pm---</td> </tr> <tr> <td>2 PLACES</td> <td>\pm.13</td> <td>\pm---</td> </tr> <tr> <td>1 PLACE</td> <td>\pm0.25</td> <td>\pm---</td> </tr> <tr> <td>0 PLACE</td> <td>\pm</td> <td>\pm</td> </tr> </tbody> </table>		mm	INCH	4 PLACES	\pm ---	\pm ---	3 PLACES	\pm ---	\pm ---	2 PLACES	\pm .13	\pm ---	1 PLACE	\pm 0.25	\pm ---	0 PLACE	\pm	\pm	DIMENSION STYLE MM ONLY DRAWN BY: ELO DATE: 2005/02/18 CHECKED BY: ELO DATE: 2005/02/22 APPROVED BY: CUNNINGHAM DATE: 2005/02/23	SCALE 4:1 TITLE GBX 3 PAIR BACKPLANE POWER SALES ASSEMBLY	DESIGN UNITS METRIC THIRD ANGLE PROJECTION	DOCUMENT NO. SD-75331-001	SHEET NO. 1 OF 4
		mm	INCH																						
	4 PLACES	\pm ---	\pm ---																						
	3 PLACES	\pm ---	\pm ---																						
2 PLACES	\pm .13	\pm ---																							
1 PLACE	\pm 0.25	\pm ---																							
0 PLACE	\pm	\pm																							
DESCRIPTION DRAFT WHERE APPLICABLE MUST REMAIN WITHIN DIMENSIONS	ANGULAR \pm ---°	MATERIAL NO. SEE CHART	molex																						
		SIZE B	THIS DRAWING CONTAINS INFORMATION THAT IS PROPRIETARY TO MOLEX INCORPORATED AND SHOULD NOT BE USED WITHOUT WRITTEN PERMISSION																						

9 8 7 6 5 4 3 2 1

10 9 8 7 6 5 4 3 2 1



COLUMN 1
 COLUMN 2
 COLUMN 3
 COLUMN 4

2-UP ASSEMBLY PART NUMBER

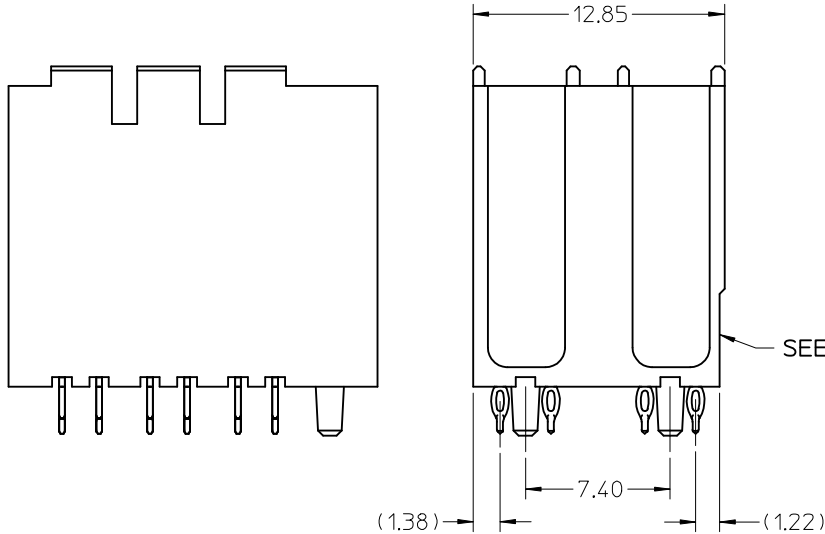
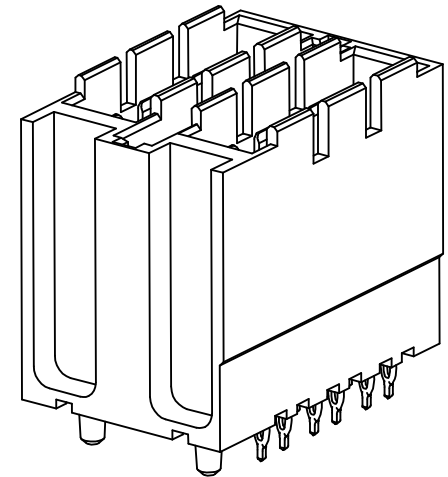
7 5 3 3 2 - 0 A B C

- MATTE TIN (FORMERLY TIN/LEAD) PLATED PRODUCT -
 FOR EACH ROW LOCATION A, B, C:

- 0 = VOID
- 4 = 4.5 mm WIPE
- 6 = 6.0 mm WIPE
- 7 = 7.5 mm WIPE

- MATTE TIN PLATED PRODUCT -
 FOR EACH ROW LOCATION A, B, C:

- 0 = VOID
- 2 = 4.5 mm WIPE
- 3 = 6.0 mm WIPE
- 5 = 7.5 mm WIPE



SEE NOTE 8.

SEE SHEET 1 FOR ADDITIONAL INFORMATION
 CHECK WITH PRODUCT MANAGER FOR AVAILABILITY

SEE SHEET 1 EC NO: UCP2013-2305 DRW: RWHIPPLE 2012/12/07 CHKD: MWOLFE 2012/12/07 APPR: SMILLER 2012/12/17	QUALITY SYMBOLS ▽=0 ▽=0 ▽=0	GENERAL TOLERANCES (UNLESS SPECIFIED)		DIMENSION STYLE MM ONLY		SCALE 4:1	DESIGN UNITS METRIC	THIRD ANGLE PROJECTION		
			mm	INCH	DRAWN BY ELO	DATE 2005/02/18	TITLE GBX 3 PAIR BACKPLANE POWER SALES ASSEMBLY			
		4 PLACES	± ---	± ---	CHECKED BY ELO	DATE 2005/02/22				
			±	±	APPROVED BY CUNNINGHAM	DATE 2005/02/23	DOCUMENT NO. SD-75331-001			
3 PLACES	± ---	± ---	MATERIAL NO. SEE CHART		SHEET NO. 2 OF 4					
	±	±	ANGULAR ± --- °		THIS DRAWING CONTAINS INFORMATION THAT IS PROPRIETARY TO MOLEX INCORPORATED AND SHOULD NOT BE USED WITHOUT WRITTEN PERMISSION					
2 PLACES	± .13	± ---	DRAFT WHERE APPLICABLE MUST REMAIN WITHIN DIMENSIONS							
	±	±								
	±	±								

9 8 7 6 5 4 3 2 1

10 9 8 7 6 5 4 3 2 1

3-UP ASSEMBLY PART NUMBER

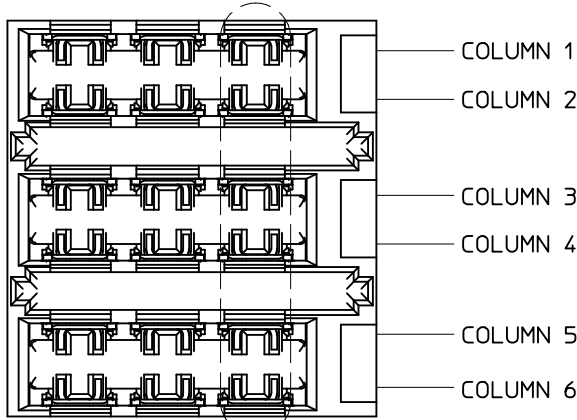
7 5 3 3 3 - 0 A B C

- MATTE TIN (FORMERLY TIN/LEAD) PLATED PRODUCT -
FOR EACH ROW LOCATION A, B, C:

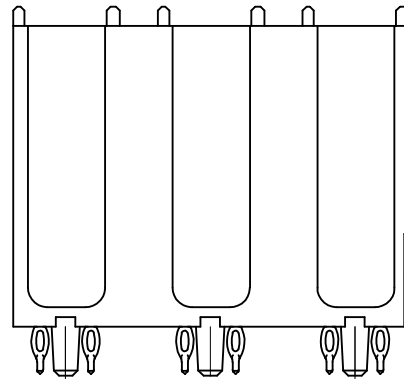
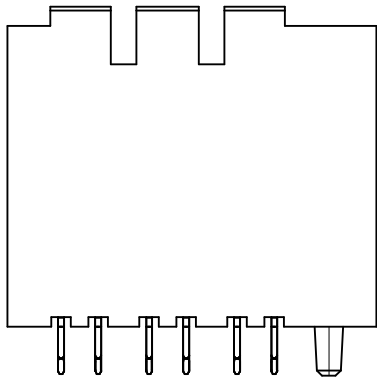
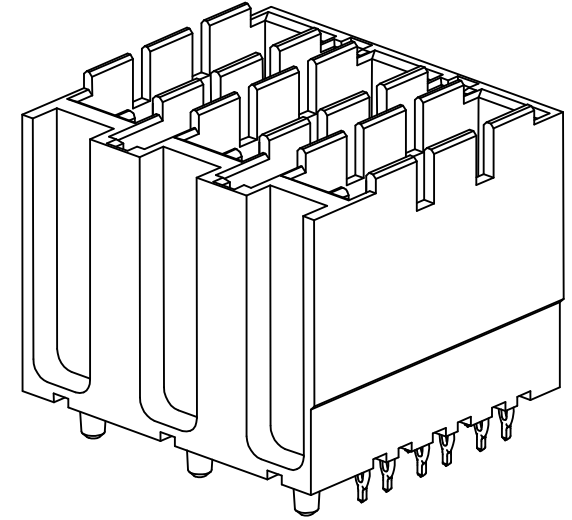
- 0 = VOID
- 4 = 4.5 mm WIPE
- 6 = 6.0 mm WIPE
- 7 = 7.5 mm WIPE

- MATTE TIN PLATED PRODUCT -
FOR EACH ROW LOCATION A, B, C:

- 0 = VOID
- 2 = 4.5 mm WIPE
- 3 = 6.0 mm WIPE
- 5 = 7.5 mm WIPE



SEE NOTE 4.



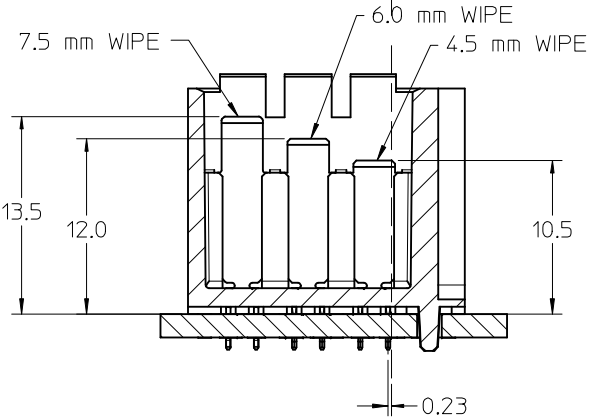
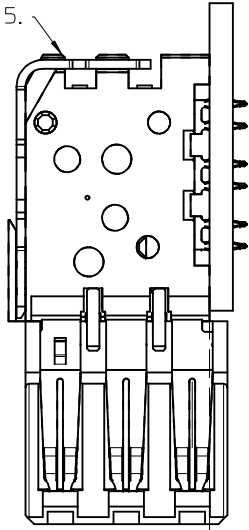
SEE NOTE 8.

SEE SHEET 1 FOR ADDITIONAL INFORMATION
CHECK WITH PRODUCT MANAGER FOR AVAILABILITY

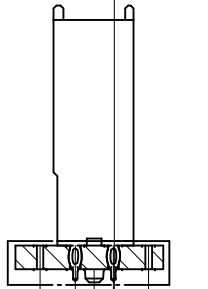
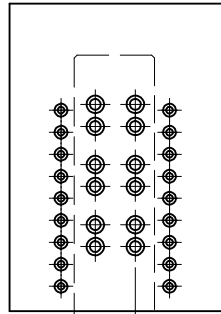
SEE SHEET 1 EC NO: UCP2013-2305 DRAWN: RWHIPPLE 2012/12/07 CHKD: MWOLFE 2012/12/07 APPR: SMILLER 2012/12/17	QUALITY SYMBOLS	GENERAL TOLERANCES (UNLESS SPECIFIED)		DIMENSION STYLE MM ONLY		SCALE 4:1	DESIGN UNITS METRIC	THIRD ANGLE PROJECTION	
	▽=0	mm	INCH	DRAWN BY ELO	DATE 2005/02/18	TITLE GBX 3 PAIR BACKPLANE POWER SALES ASSEMBLY			
	▽=0	4 PLACES ± ---	± ---	CHECKED BY ELO	DATE 2005/02/22				
	▽=0	3 PLACES ± ---	± ---	APPROVED BY CUNNINGHAM	DATE 2005/02/23	DOCUMENT NO. SD-75331-001		SHEET NO. 3 OF 4	
▽=0	2 PLACES ± .13	± ---	MATERIAL NO. SEE CHART		THIS DRAWING CONTAINS INFORMATION THAT IS PROPRIETARY TO MOLEX INCORPORATED AND SHOULD NOT BE USED WITHOUT WRITTEN PERMISSION				
		1 PLACE ± 0.25	± ---	ANGULAR ± ---°					
		0 PLACE ±	±	DRAFT WHERE APPLICABLE MUST REMAIN WITHIN DIMENSIONS					

9 8 7 6 5 4 3 2 1

SEE NOTE 5.

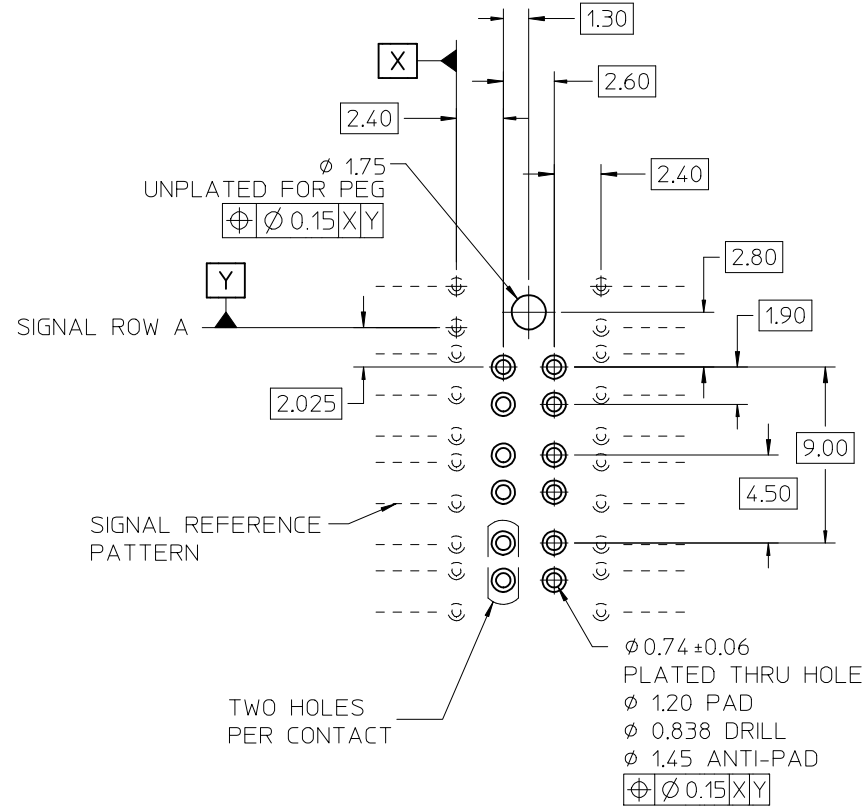


DC BOARD EDGE TO CENTERLINE OF BP TAIL



HOLE PATTERN FOR 1-UP ASSEMBLY

- 1.) ADD 7.40 FROM CENTERLINES OF PEGS FOR MULTIPLE UP ASSEMBLIES.
- 2.) ADD 5.55 FROM CENTERLINE TO CENTERLINE OF PEG FOR INDIVIDUAL POWER MODULES STACKED NEXT TO EACH OTHER.



LEAD FREE CONVERSION EC NO: UCP2013-Z305 DRAWN BY: RWHIPPLE 2012/12/07 CHKD: MWOLFE 2012/12/07 APPR: SMILLER 2012/12/07 REV DESCRIPTION	QUALITY SYMBOLS	GENERAL TOLERANCES (UNLESS SPECIFIED)	DIMENSION STYLE	SCALE	DESIGN UNITS	THIRD ANGLE PROJECTION
	$\nabla = 0$	mm INCH	MM ONLY	4:1	METRIC	
	$\nabla = 0$	4 PLACES ± --- ± ---	DRAWN BY DATE	ELO 2005/02/18	TITLE	GBX 3 PAIR BACKPLANE POWER SALES ASSEMBLY molex
	$\nabla = 0$	3 PLACES ± --- ± ---	CHECKED BY DATE	ELO 2005/02/22	DOCUMENT NO.	
$\nabla = 0$	2 PLACES ± .13 ± ---	1 PLACE ± 0.25 ± ---	APPROVED BY DATE	CUNNINGHAM 2005/02/23	SD-75331-001	4 OF 4
	0 PLACE ± ±	ANGULAR ± --- °	MATERIAL NO.	SEE CHART	THIS DRAWING CONTAINS INFORMATION THAT IS PROPRIETARY TO MOLEX INCORPORATED AND SHOULD NOT BE USED WITHOUT WRITTEN PERMISSION	